

US00D539294S

(12) **United States Design Patent**
Croley et al.

(10) **Patent No.:** **US D539,294 S**
(45) **Date of Patent:** **** Mar. 27, 2007**

(54) **MOBILE DEVICE HANDLE**

(75) Inventors: **Curt Croley**, Stony Brook, NY (US);
Carl Thelemann, East Islip, NY (US);
Jaeho Choi, Whitestone, NY (US)

(73) Assignee: **Symbol Technologies, Inc.**, Holtsville,
NY (US)

(**) Term: **14 Years**

(21) Appl. No.: **29/238,359**

(22) Filed: **Sep. 14, 2005**

(51) **LOC (8) Cl.** **14-02**

(52) **U.S. Cl.** **D14/453**

(58) **Field of Classification Search** 382/313,
382/321; 455/561, 572, 575.1; D14/126,
D14/142, 218, 251, 253, 341, 346, 347, 356,
D14/420-430, 432, 434, 453, 466; D13/107,
D13/184; D21/333; 235/435, 486, 462.43,
235/462.45; 248/159, 678; 320/114-5, 123;
361/679; 379/455

See application file for complete search history.

(56) **References Cited**

U.S. PATENT DOCUMENTS

D385,924 S * 11/1997 Tyler D14/418
5,736,726 A * 4/1998 VanHorn et al. 235/472.02
6,095,421 A * 8/2000 Barkan et al. 235/462.22

6,244,513 B1 * 6/2001 Schlieffers et al. 235/472.01
D460,075 S * 7/2002 Destefano et al. D14/428
D476,007 S * 6/2003 Crawford et al. D14/412
D509,829 S * 9/2005 MacGregor D14/453
D512,427 S * 12/2005 Choi et al. D14/428
2003/0234291 A1 * 12/2003 Wulff et al. 235/462.48
2005/0017078 A1 * 1/2005 Bhatia et al. 235/462.45

* cited by examiner

Primary Examiner—Alan P. Douglas

Assistant Examiner—Angela J. Lee

(74) *Attorney, Agent, or Firm*—Fay Kaplun & Marcin, LLP

(57) **CLAIM**

The ornamental design for a mobile device handle, as shown and described.

DESCRIPTION

FIG. 1 is a first side view of an ornamental design of an embodiment of a mobile device handle showing our new design;

FIG. 2 is a second side view thereof;

FIG. 3 is a third side view thereof;

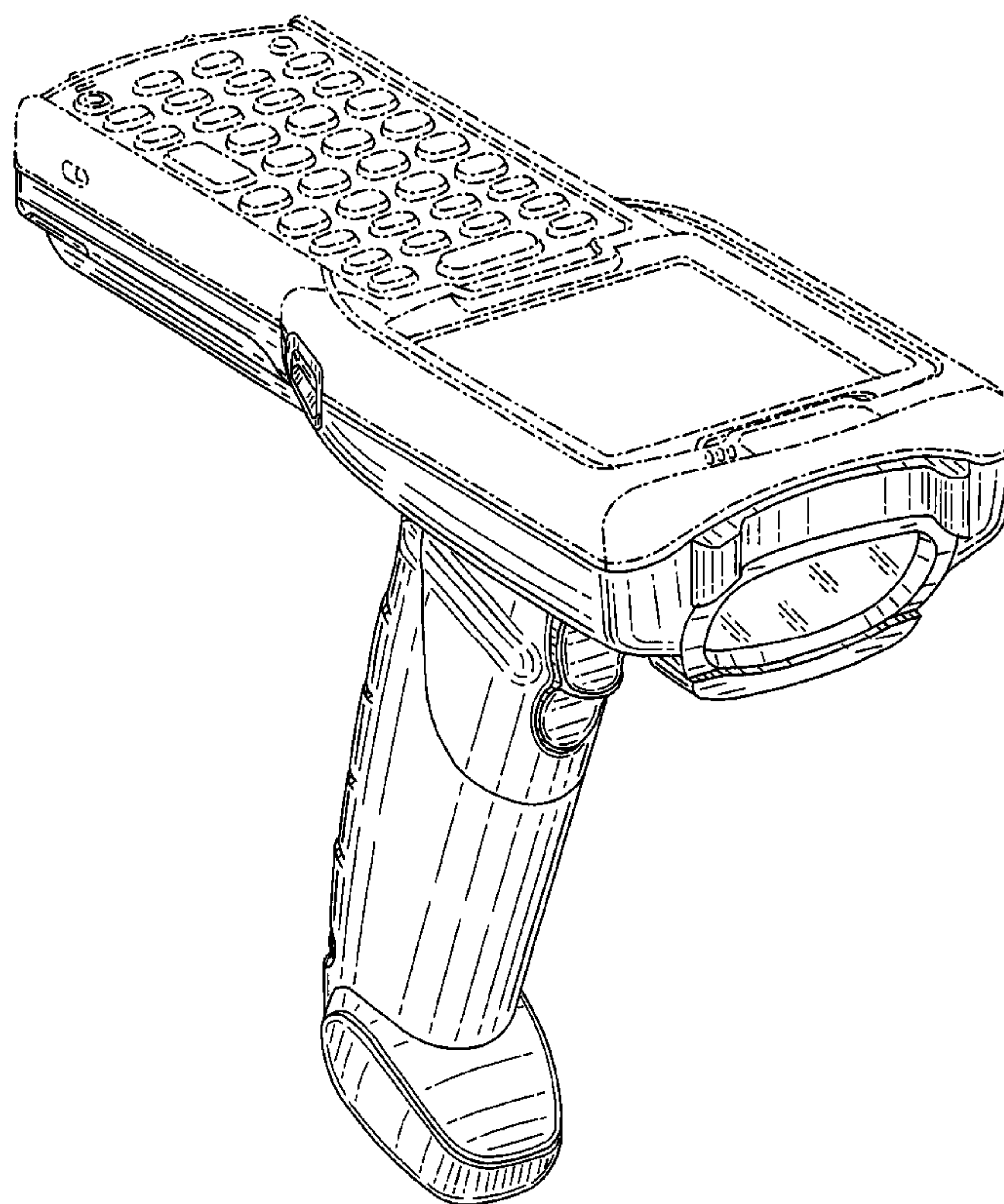
FIG. 4 is a top view thereof;

FIG. 5 is a bottom view thereof; and,

FIG. 6 is an isometric view thereof.

The broken lines shown in FIGS. 1-6 are included for illustrative purposes only and form no part of the claimed design.

1 Claim, 5 Drawing Sheets



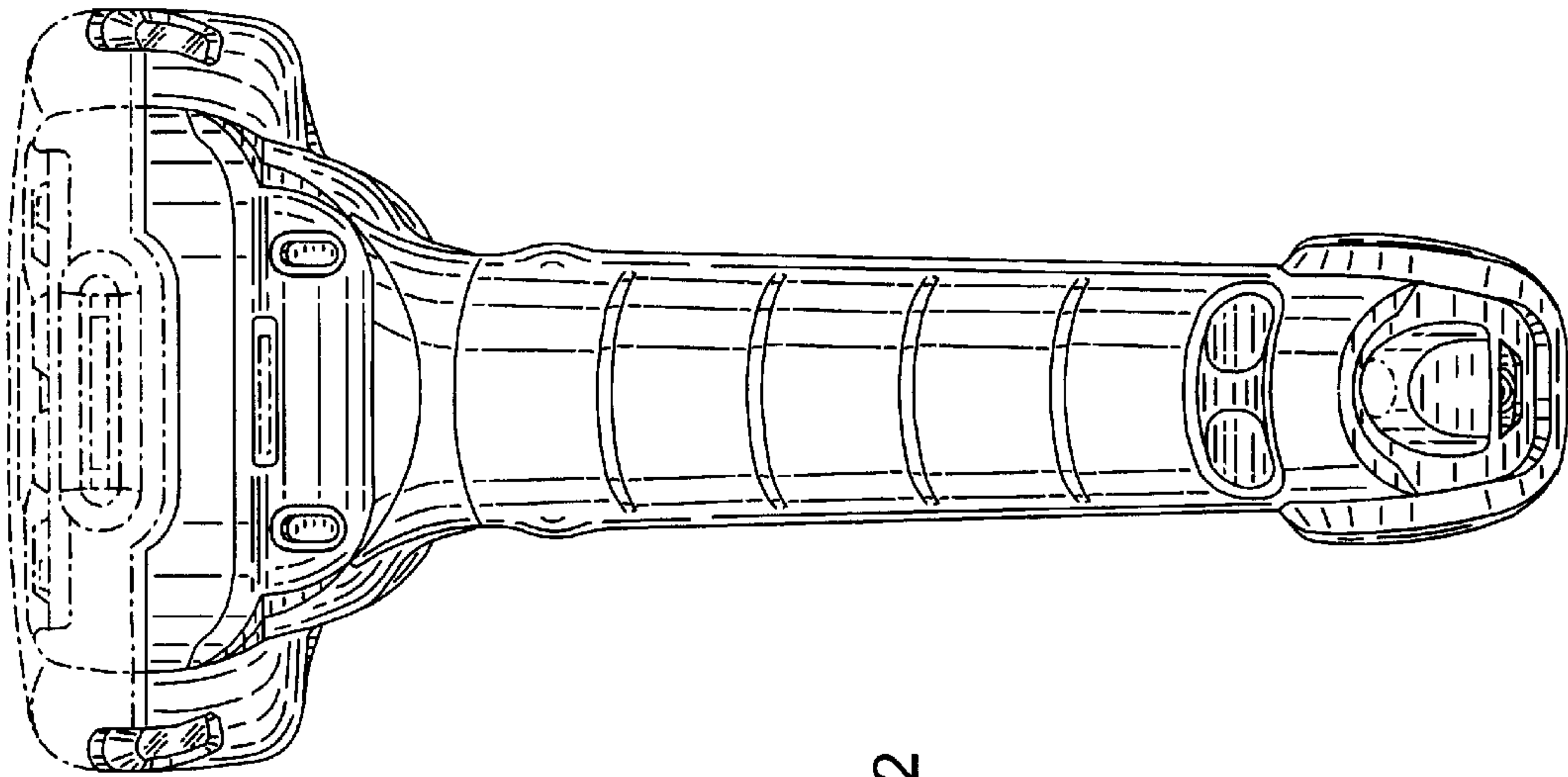


FIG. 2

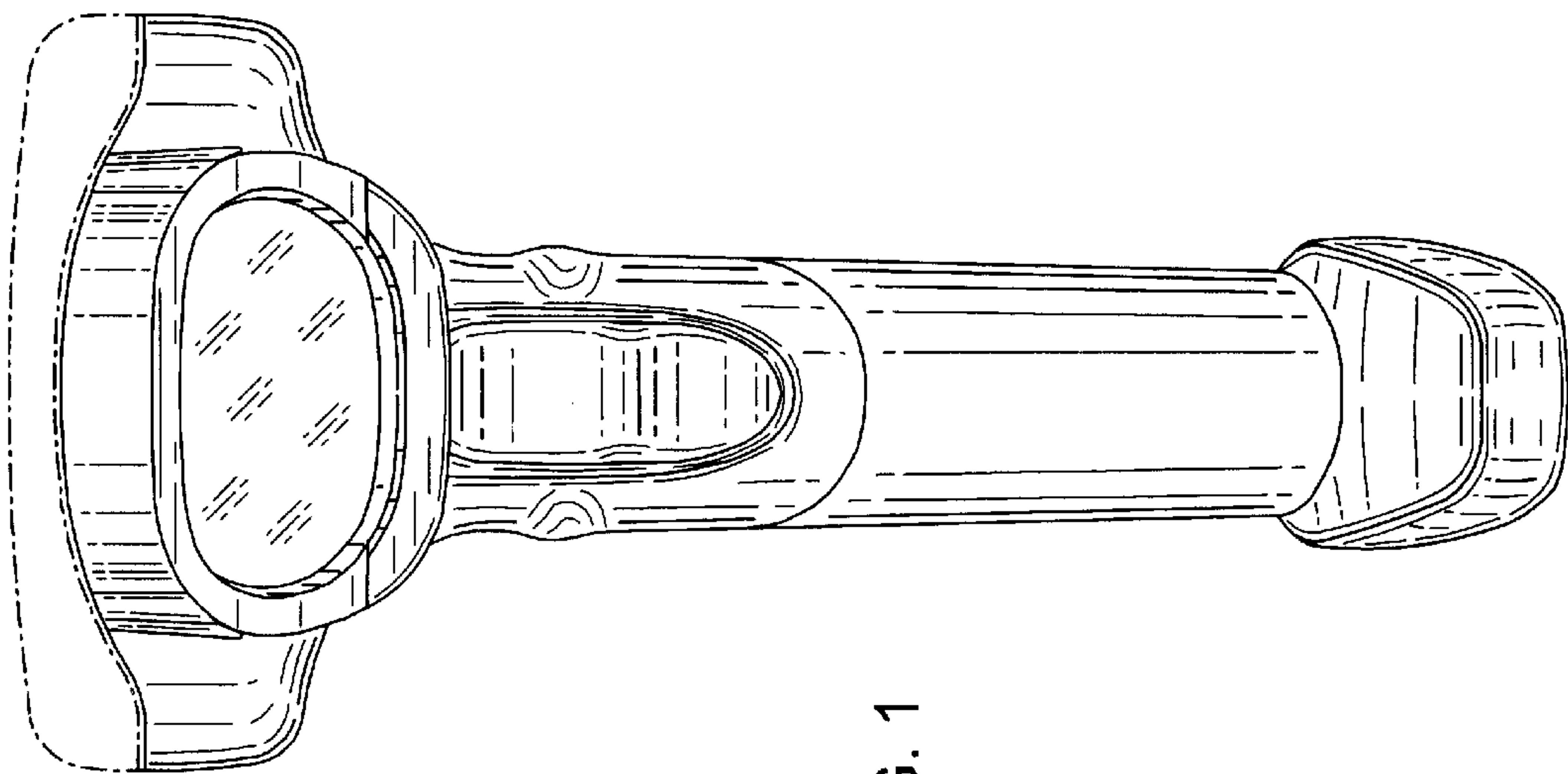


FIG. 1

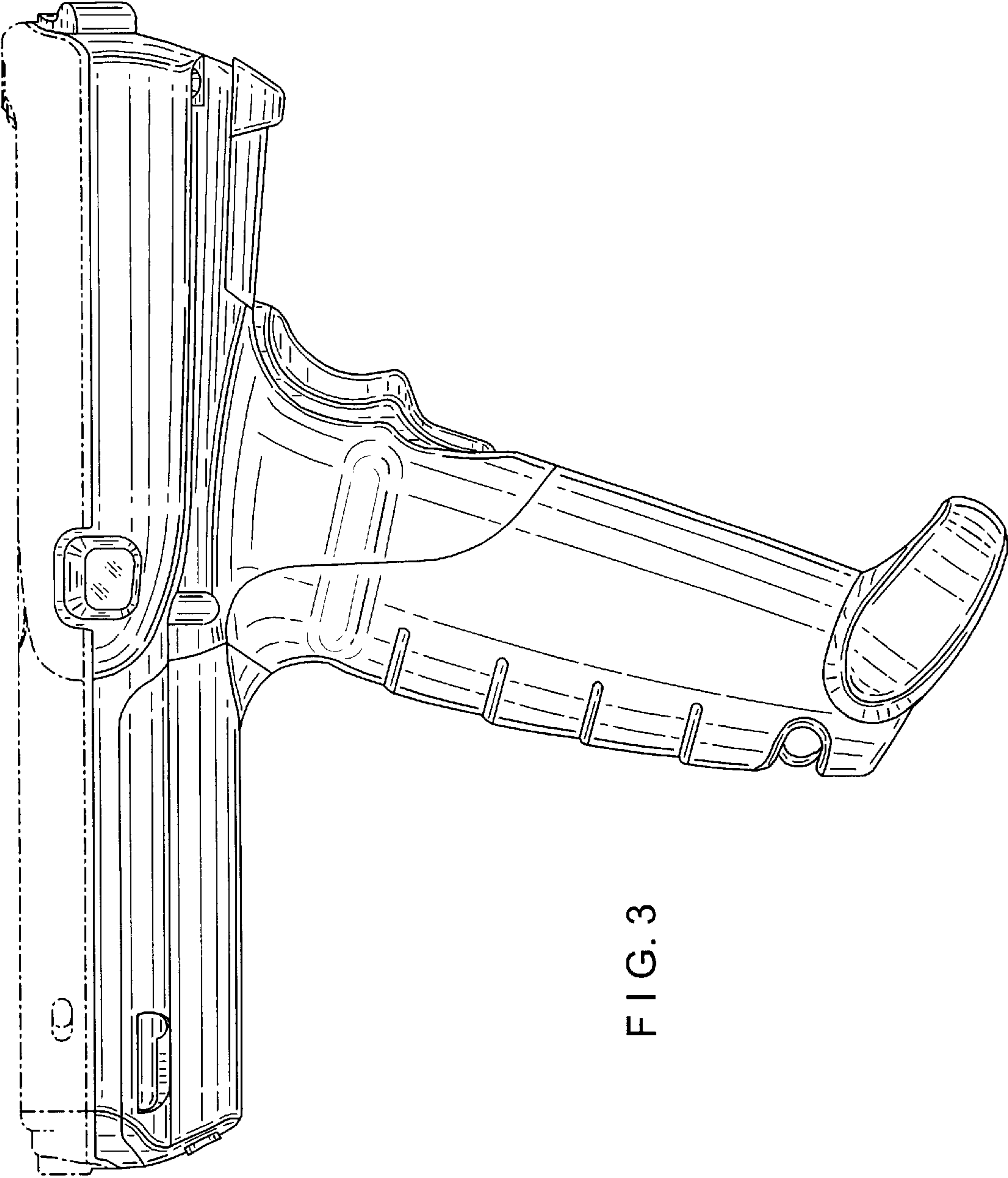


FIG. 3

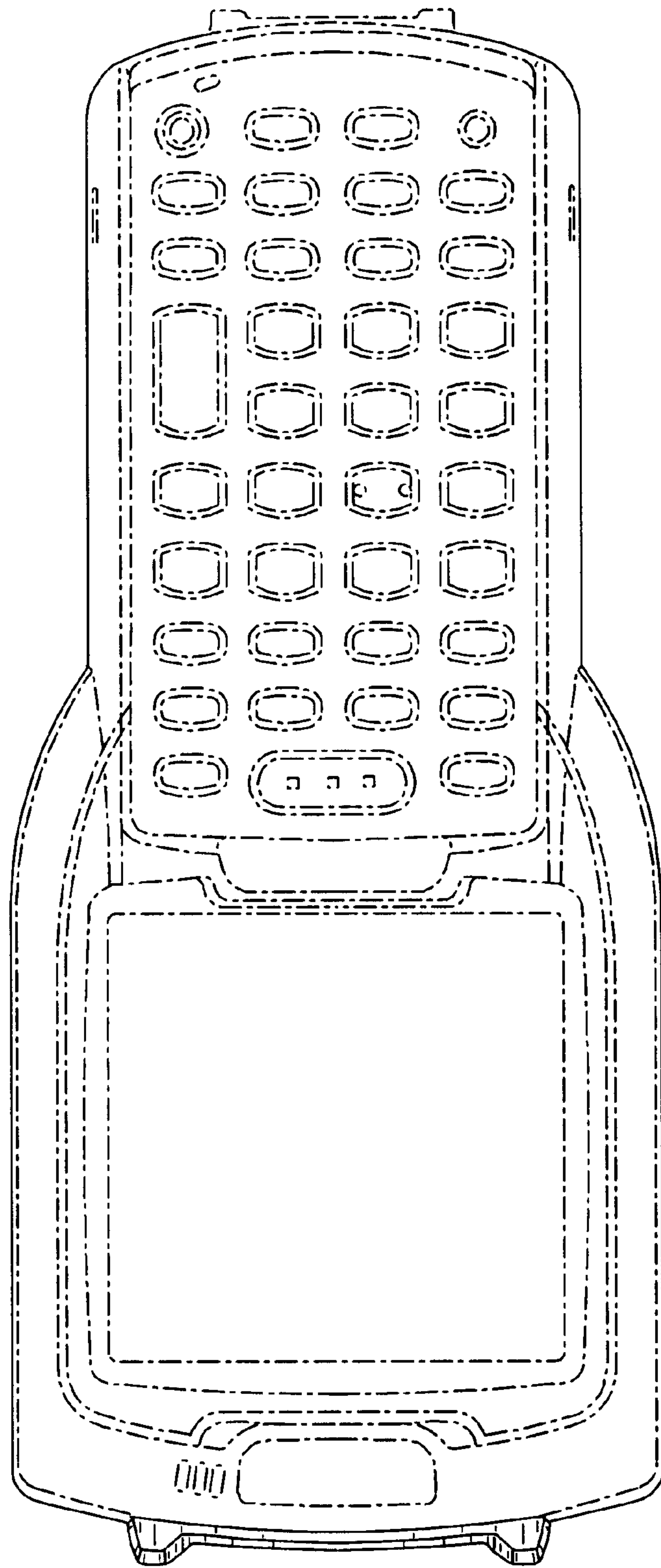


FIG. 4

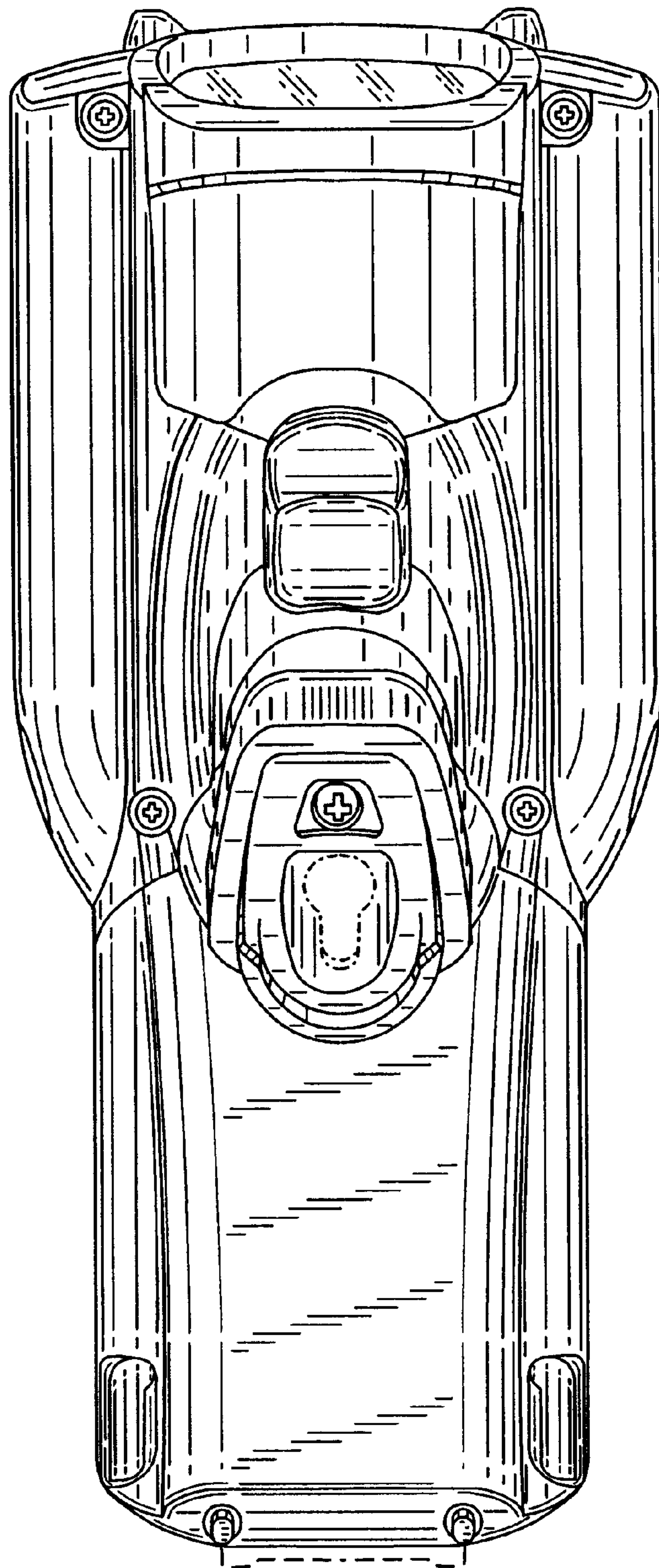


FIG. 5

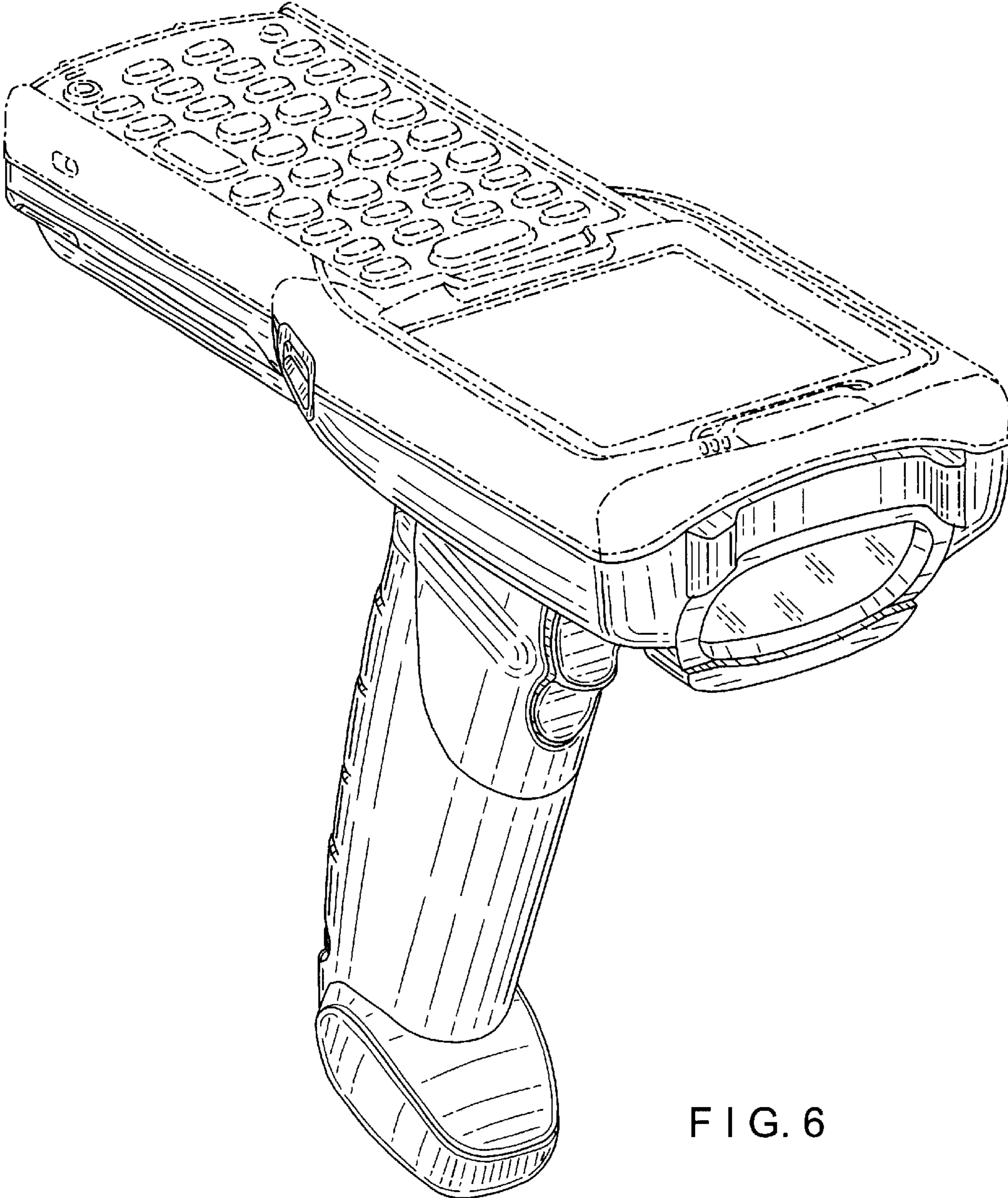


FIG. 6