



US00D539293S

(12) **United States Design Patent**
May et al.

(10) **Patent No.:** **US D539,293 S**
(45) **Date of Patent:** **** Mar. 27, 2007**

(54) **ADJUSTABLE SUPPORT ARM FOR VIDEO MONITOR**

(76) Inventors: **Gordon G. May**, 2513 Pinot La., Modesto, CA (US) 95356; **Jesse A. May**, 3609 Dutchollow Way, Modesto, CA (US) 95356

(**) Term: **14 Years**

(21) Appl. No.: **29/244,753**

(22) Filed: **Dec. 13, 2005**

(51) **LOC (8) Cl.** **08-07**

(52) **U.S. Cl.** **D14/452**

(58) **Field of Classification Search** D14/126, D14/224, 229, 253, 316, 375, 376, 377, 432, D14/439, 447, 451, 452, 457; D8/306, 363, D8/373, 380; D18/59; 180/332; 248/118.3, 248/218.11, 225.11, 274.1, 276.1, 278.1, 248/279.1, 280.11, 282.1, 917, 919; 348/373; 403/110; 439/345

See application file for complete search history.

(56) **References Cited**

U.S. PATENT DOCUMENTS

- 4,783,036 A * 11/1988 Vossoughi 248/281.11
- D386,158 S * 11/1997 Rosen D14/375
- D435,852 S * 1/2001 Oddsen, Jr. D14/452
- 2004/0014349 A1 * 1/2004 Oddsen, Jr. 439/345
- 2004/0031894 A1 * 2/2004 Smed 248/278.1

* cited by examiner

Primary Examiner—Alan P. Douglas
Assistant Examiner—Angela J. Lee
(74) *Attorney, Agent, or Firm*—R. Michael West

(57) **CLAIM**

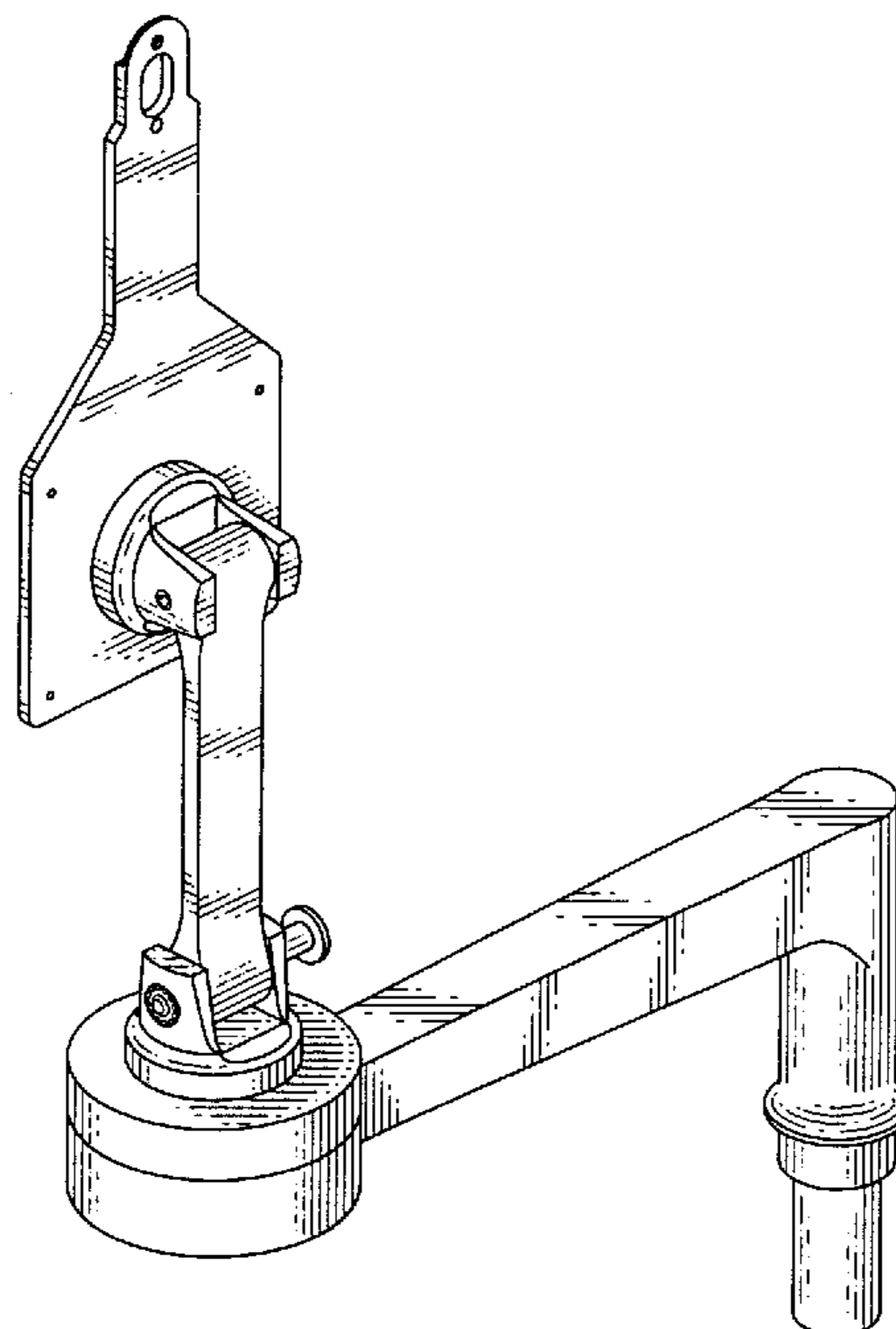
The ornamental design for an adjustable support arm for video monitor, as shown and described.

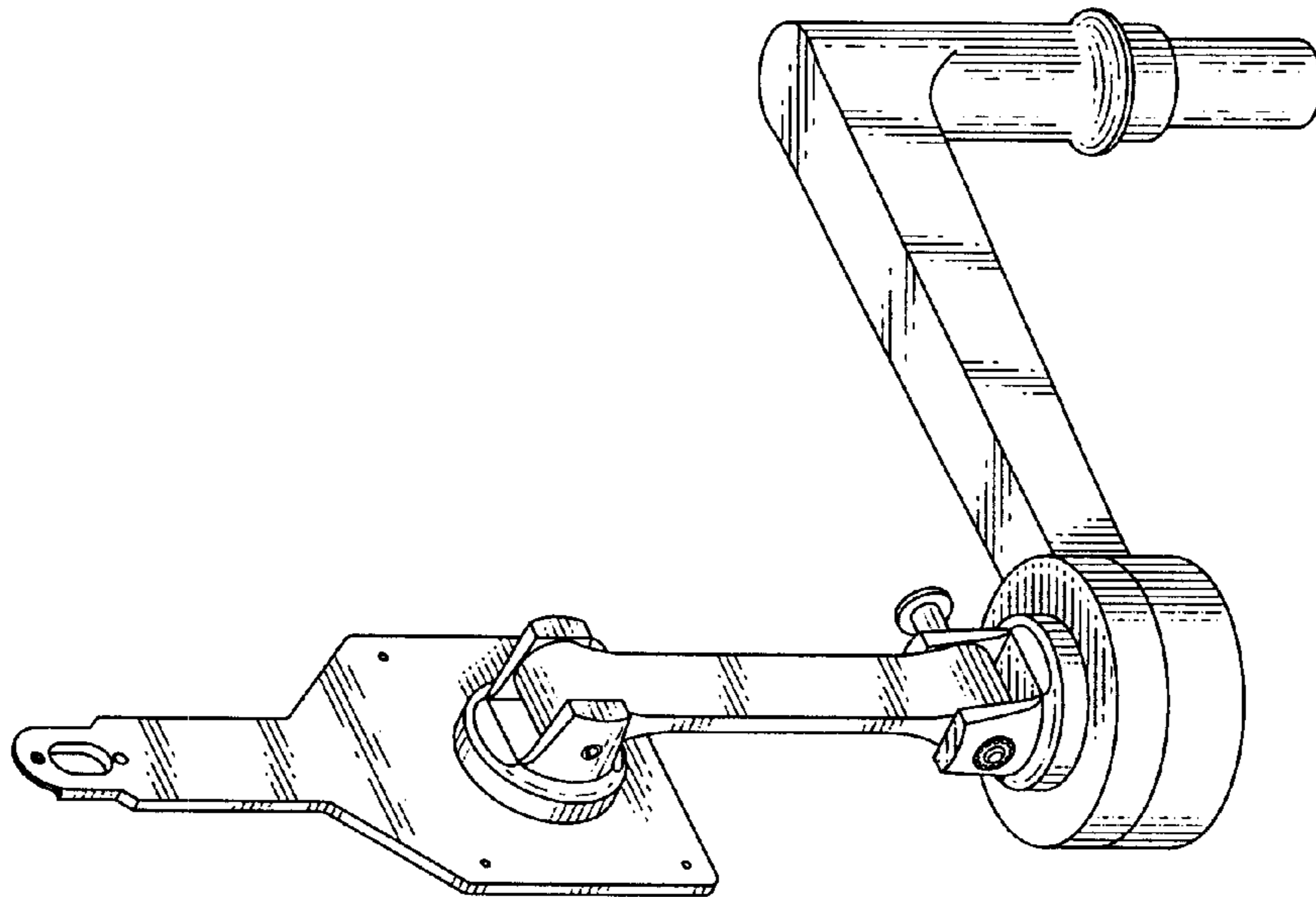
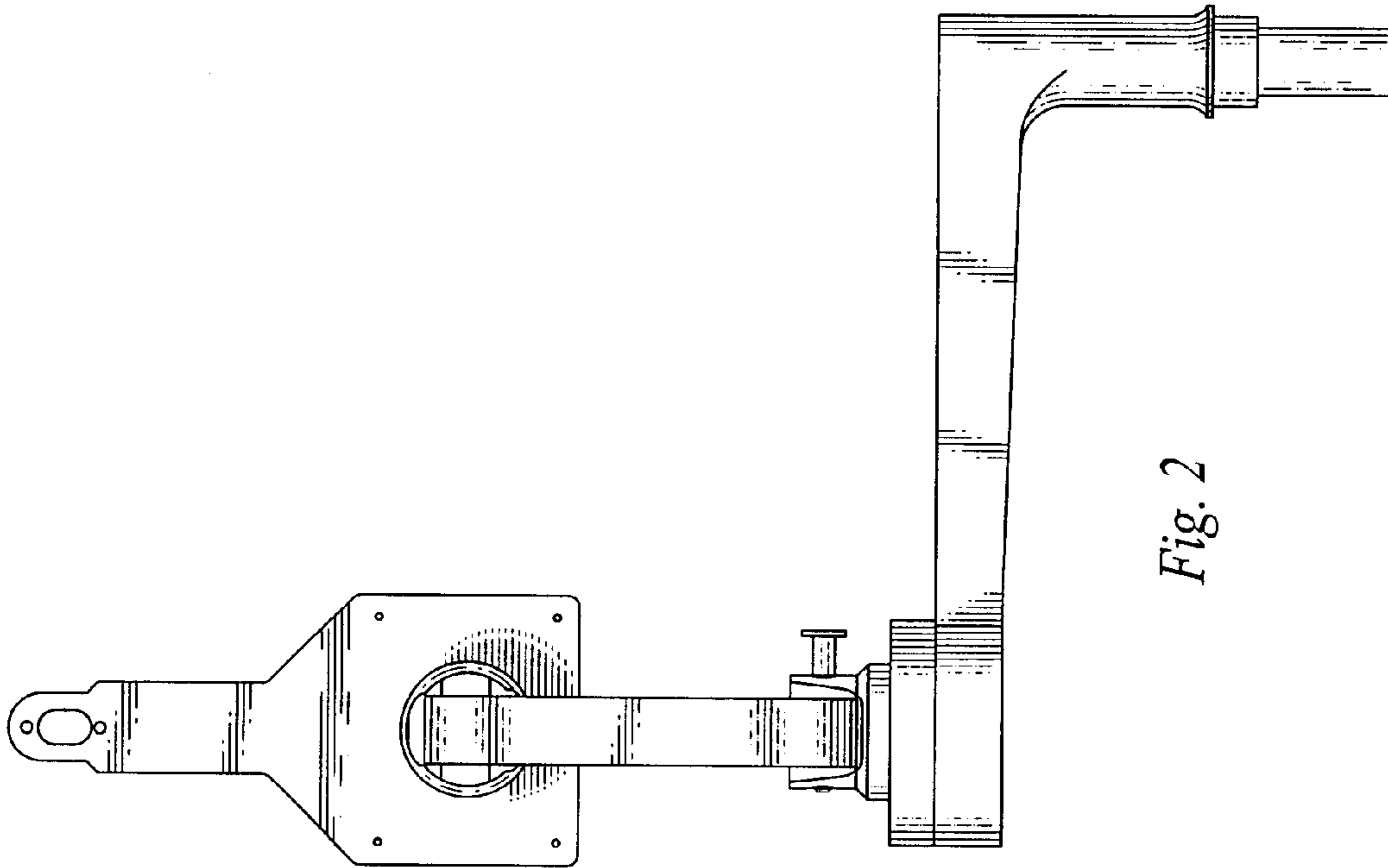
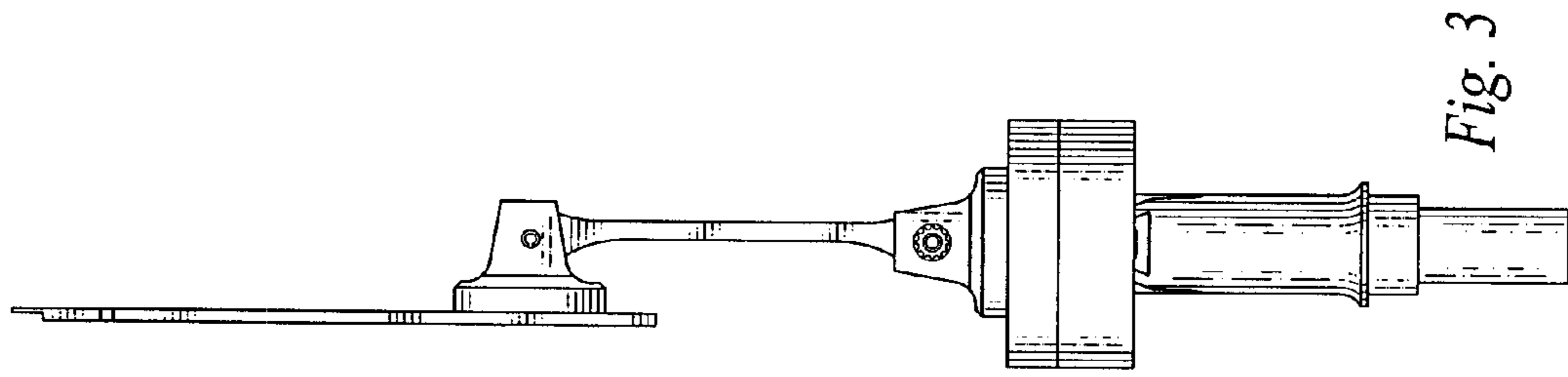
DESCRIPTION

FIG. 1 is a perspective view of the rear side of an adjustable support arm for video monitor, showing my new design; FIG. 2 is a rear elevational view, thereof; FIG. 3 is a an elevational view taken from the left hand side of the article as shown in FIG. 2; FIG. 4 is a top plan view, thereof; FIG. 5 is a front elevational view, thereof; FIG. 6 is an elevational view taken from the right hand side of the article as shown in FIG. 2; FIG. 7 is a bottom plan view, thereof; FIG. 8 is an elevational view as in FIG. 6, but with the main support arm and the monitor support arm and plate in alternative positions; FIG. 9 is a top plan view of the article as shown in FIG. 8; and, FIG. 10 is a left front perspective view, thereof.

The broken line representations of the video monitor, the keyboard support plate, and the pivot bearing and base being included solely for illustrative purposes, forming no part of the claimed design.

1 Claim, 3 Drawing Sheets





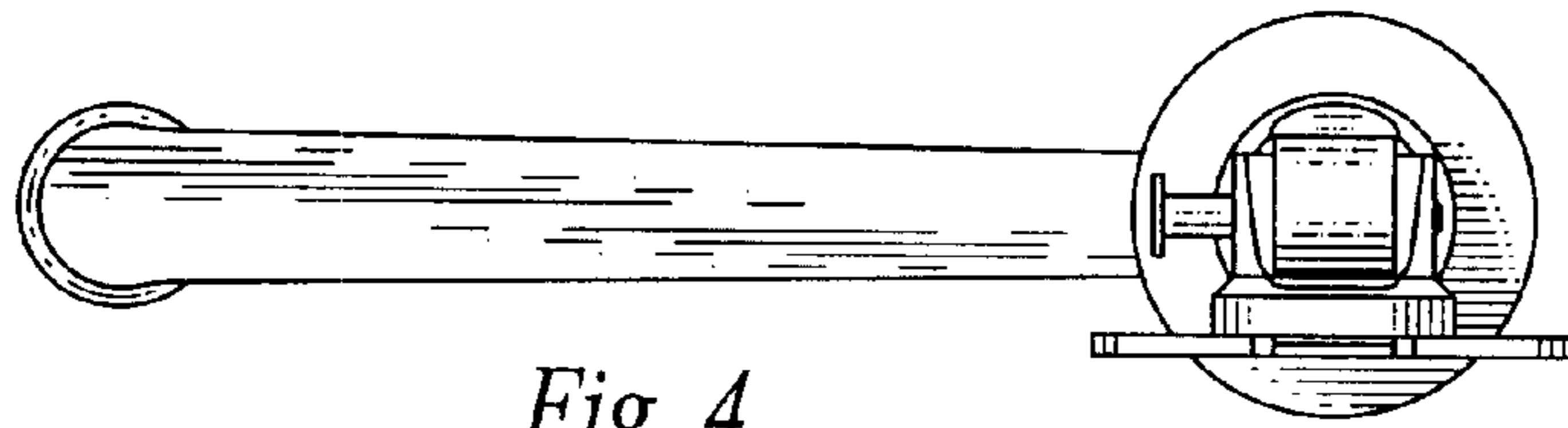


Fig. 4

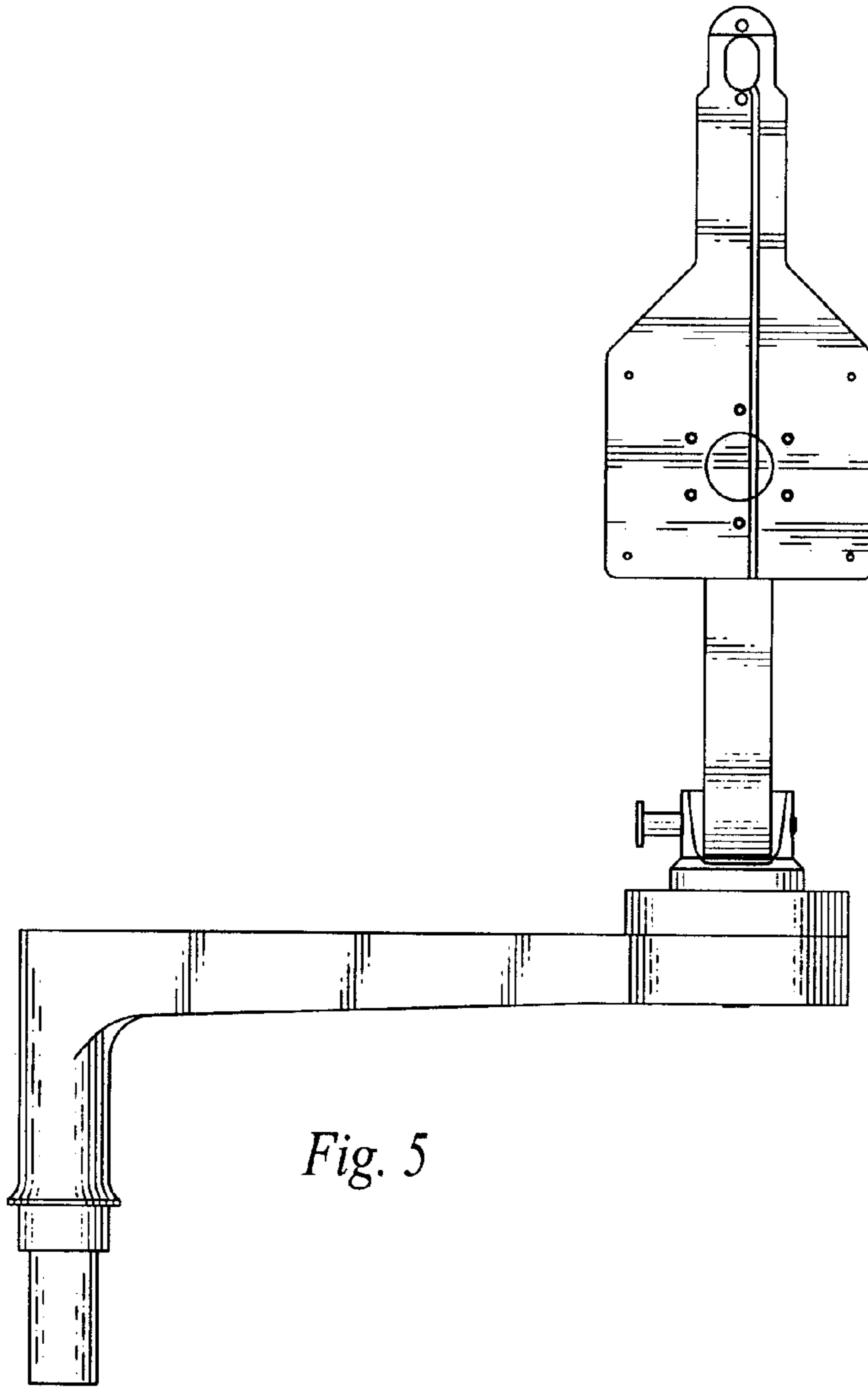


Fig. 5

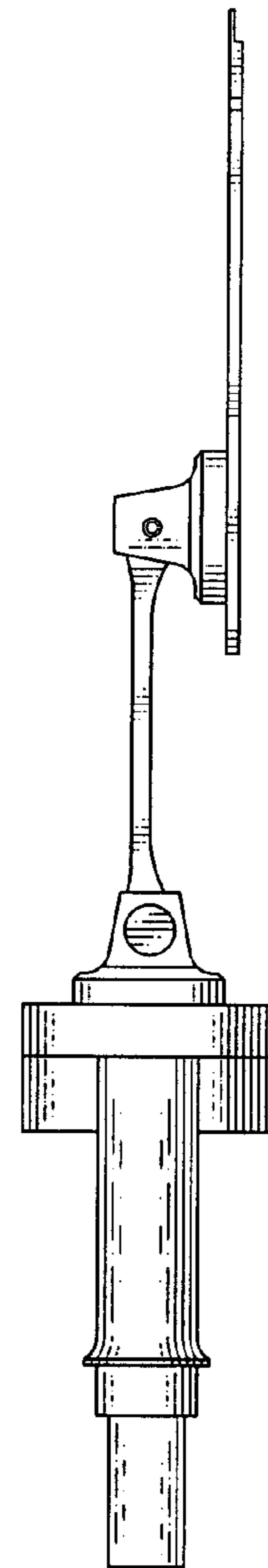


Fig. 6

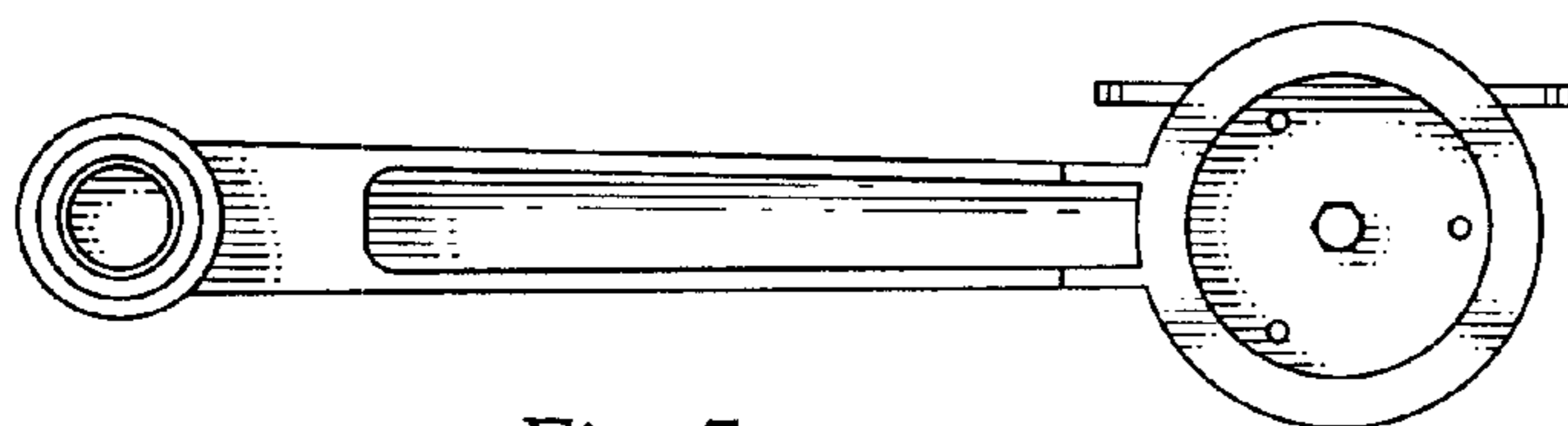


Fig. 7

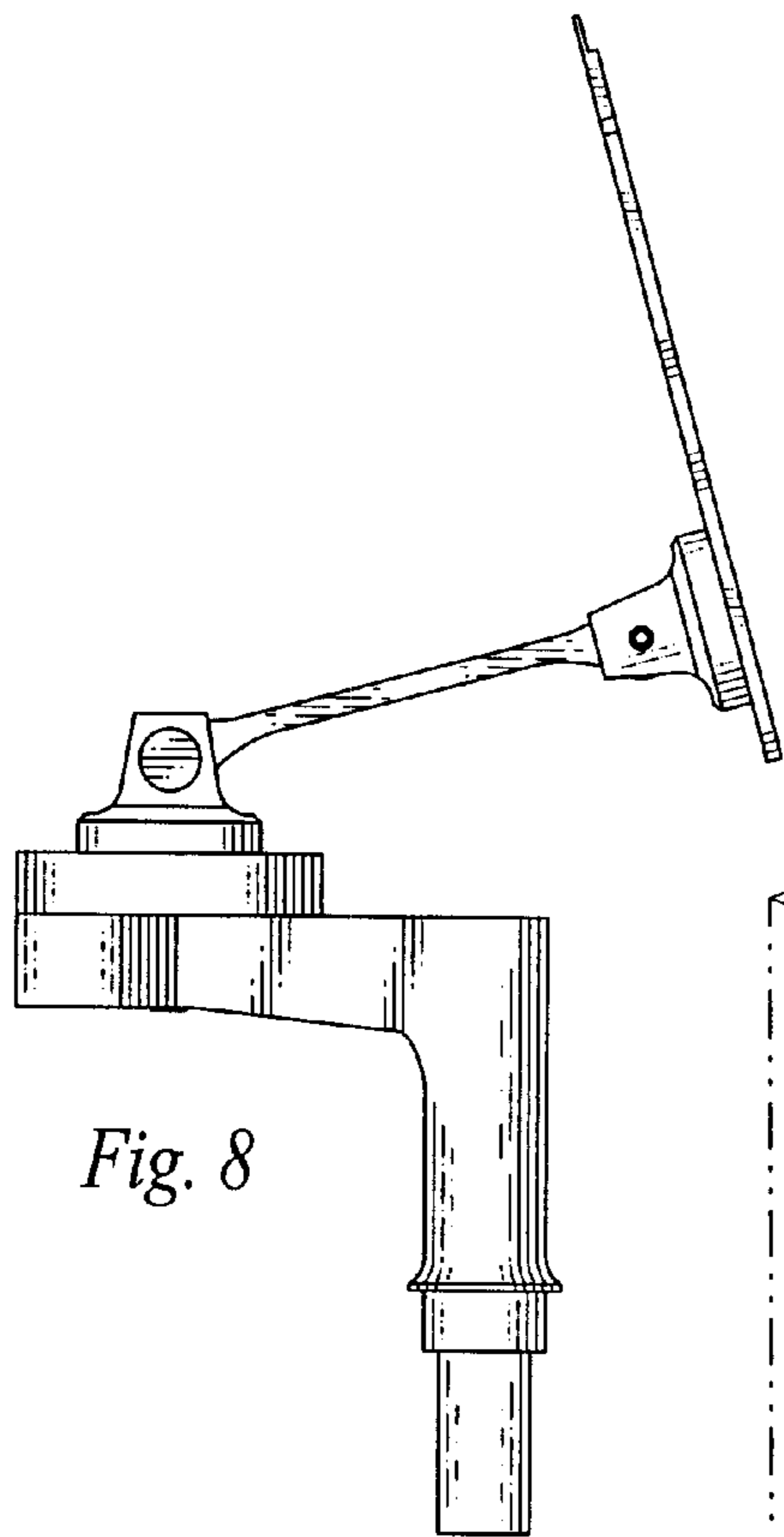


Fig. 8

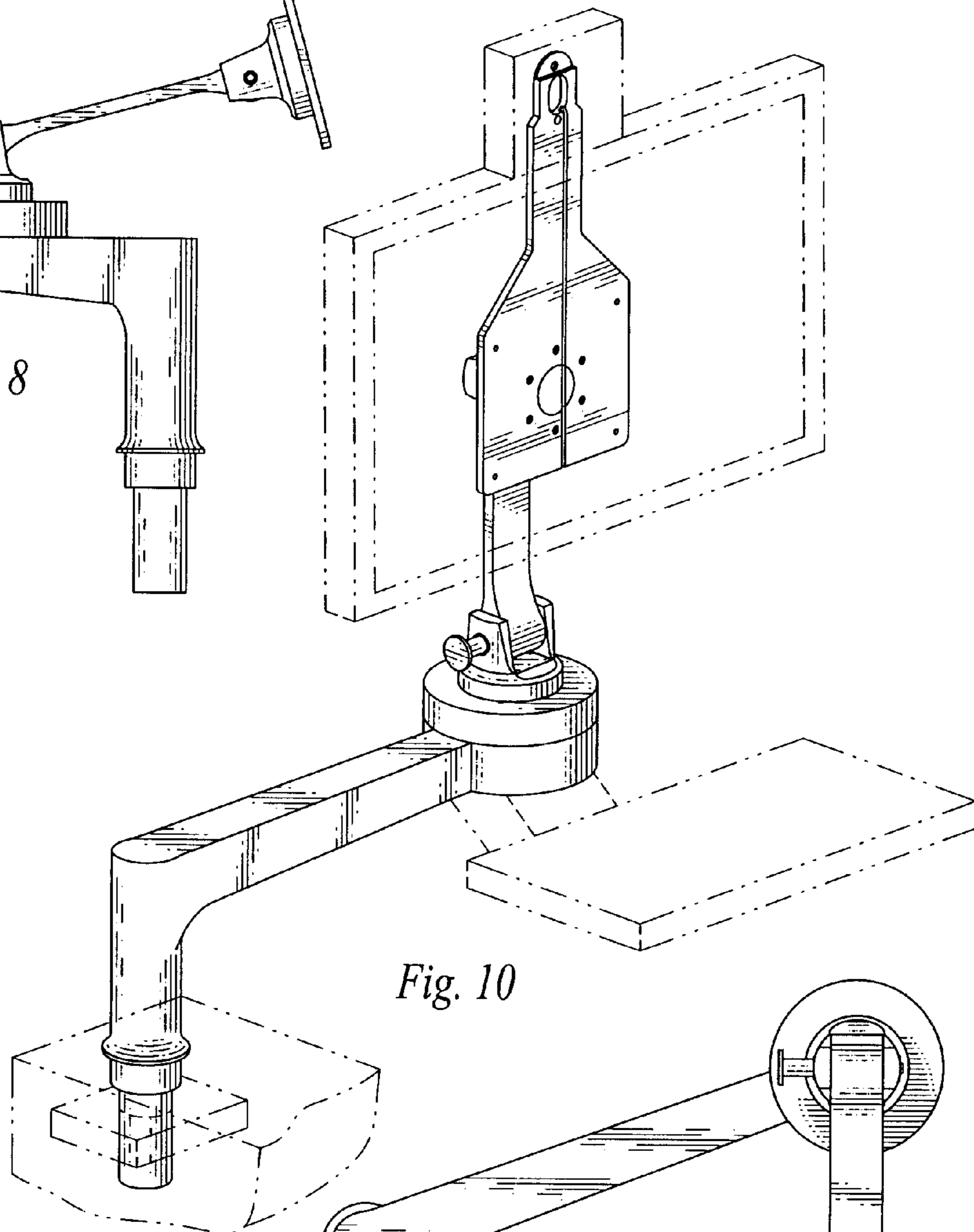


Fig. 10

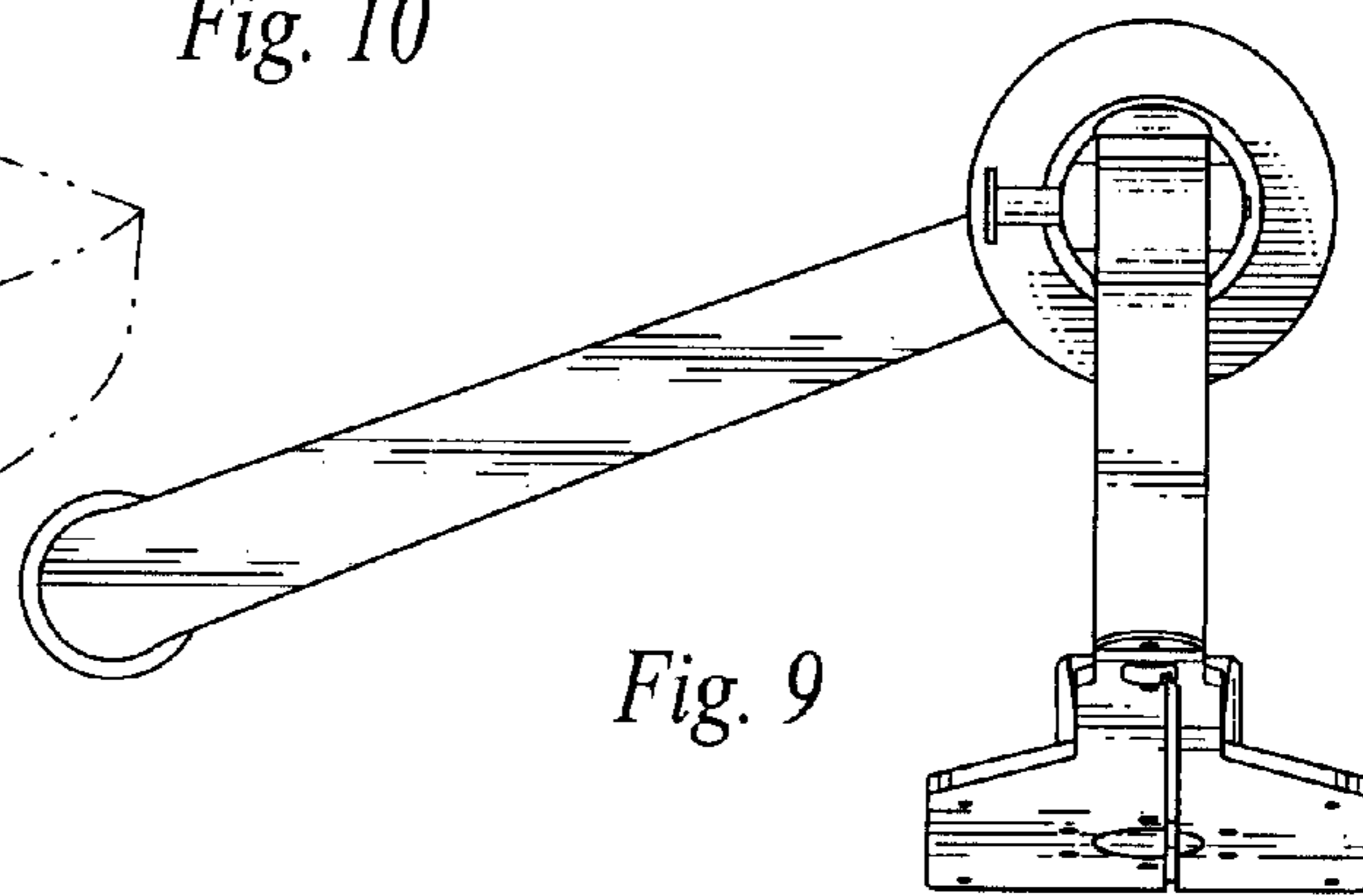


Fig. 9