



US00D539292S

(12) **United States Design Patent**  
**On et al.**

(10) **Patent No.: US D539,292 S**

(45) **Date of Patent: \*\* Mar. 27, 2007**

(54) **DISPLAY**

(75) Inventors: **Peter M. On**, Corvallis, OR (US); **Glen Allen Oross**, Corvallis, OR (US); **Francois Duval**, Saint-Laurent (CA)

(73) Assignee: **Hewlett-Packard Development Company, L.P.**, Houston, TX (US)

(\*\*) Term: **14 Years**

(21) Appl. No.: **29/229,751**

(22) Filed: **May 11, 2005**

(51) **LOC (8) Cl. .... 08-07**

(52) **U.S. Cl. .... D14/451**

(58) **Field of Classification Search** ..... D14/451, D14/132, 239, 447-48, 126, 299, 257, 375-76, D14/382; D13/123, 162; 248/371, 917, 346.06, 248/923, 922; 700/19, 17, 8, 9, 83; 200/5 R, 200/5 A; 361/681-83, 686-692, 726, 740, 361/627, 644, 633-37; 345/10, 11; D19/32, D19/65, 90; 211/45, 89.01; 40/617

See application file for complete search history.

(56) **References Cited**

**U.S. PATENT DOCUMENTS**

4,010,517 A	*	3/1977	Kapstad	.....	24/67.11
4,629,075 A	*	12/1986	Hutten	.....	211/89.01
D310,689 S	*	9/1990	Evenson	.....	D19/90
D334,184 S	*	3/1993	Weaver et al.	.....	D14/447
D338,468 S	*	8/1993	Rowse	.....	D14/239
D352,932 S	*	11/1994	Pangburn et al.	.....	D14/380
D355,649 S	*	2/1995	Gale et al.	.....	D14/128
D364,855 S	*	12/1995	Onoda	.....	D14/375
D368,706 S	*	4/1996	Mieki	.....	D14/451
D374,445 S	*	10/1996	Artus	.....	D14/299
5,569,052 A	*	10/1996	Belt et al.	.....	439/638
D381,041 S	*	7/1997	Lammers et al.	.....	D19/32
D384,106 S	*	9/1997	Shinya	.....	D19/65
5,711,430 A	*	1/1998	Andersen et al.	.....	211/45
D394,248 S	*	5/1998	Duan	.....	D14/375
D395,425 S	*	6/1998	Sugita	.....	D14/451
D398,651 S	*	9/1998	Suzuki	.....	D19/90
D404,026 S	*	1/1999	Hasegawa	.....	D14/375
D416,007 S	*	11/1999	Cavello	.....	D14/451
D421,747 S	*	3/2000	Takizawa	.....	D14/375

D424,518 S	*	5/2000	Chin-Kuan et al.	.....	D13/123
6,094,340 A	*	7/2000	Min	.....	361/681
D437,837 S	*	2/2001	Harrison et al.	.....	D14/132
D438,543 S	*	3/2001	Goto	.....	D14/447
6,257,422 B1	*	7/2001	Rios	.....	211/45
6,275,375 B1	*	8/2001	Nam	.....	361/682
6,286,800 B1	*	9/2001	Junius et al.	.....	248/442.2
D452,867 S	*	1/2002	Goto	.....	D14/447
6,356,793 B1	*	3/2002	Martin	.....	700/19
D457,506 S	*	5/2002	Scribner	.....	D14/132
6,453,518 B1	*	9/2002	Adams et al.	.....	24/67.9
D474,163 S	*	5/2003	Araki	.....	D14/126
6,802,145 B2	*	10/2004	Sparkowski	.....	40/617
2004/0045137 A1	*	3/2004	Hsiao	.....	24/67.9

\* cited by examiner

*Primary Examiner*—M. H. Tung  
*Assistant Examiner*—Susan Moon Lee

(57) **CLAIM**

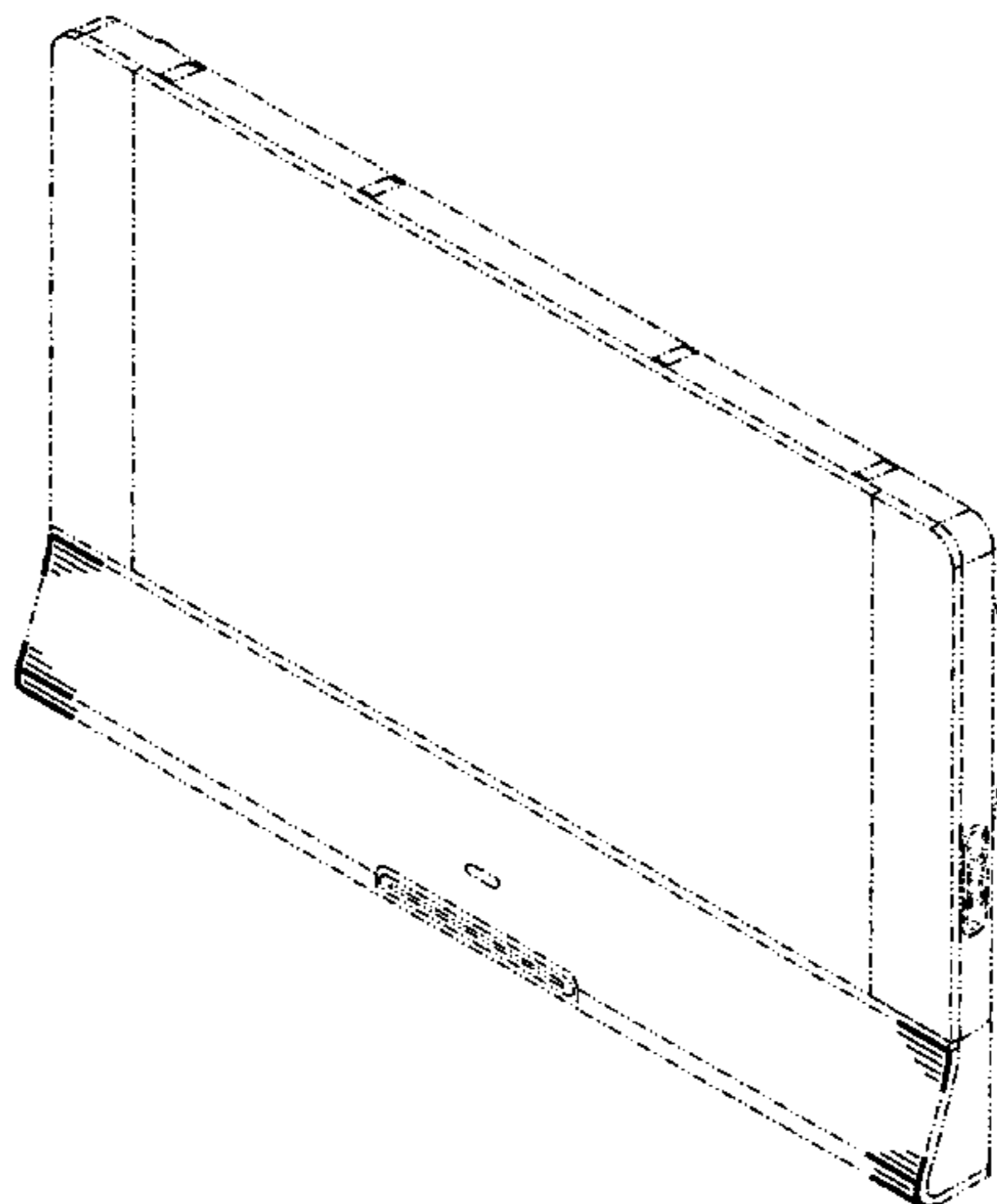
We claim the ornamental design for a display, as shown and described.

**DESCRIPTION**

The present application claims priority under 35 U.S.C. section 120 from copending U.S. Patent Application Ser. No. 11/063,068 filed on Feb. 22, 2005 by Peter M. On, Glen Allen Oross and Francois Duval titled Display Base With Forward Facing Interconnect Panel and copending U.S. Patent Application Ser. No. 29/223,929 filed on Feb. 22, 2005 by Peter M. On, Glen Allen and Francois Duval, the full disclosures of which are hereby incorporated by reference.

FIG. 1 is a top perspective view of a display according to the present invention;  
FIG. 2 is a front elevational view thereof;  
FIG. 3 is a right end elevational view thereof;  
FIG. 4 is a left end elevational view thereof;  
FIG. 5 is top plan view thereof;  
FIG. 6 is a bottom plan view thereof;  
FIG. 7 is a rear elevation view thereof; and,  
FIG. 8 is a partial front perspective view thereof illustrating a front panel of the display in an open position.  
The broken lines in the drawings are for illustrative purposes only and form no part of the claimed design.

**1 Claim, 7 Drawing Sheets**



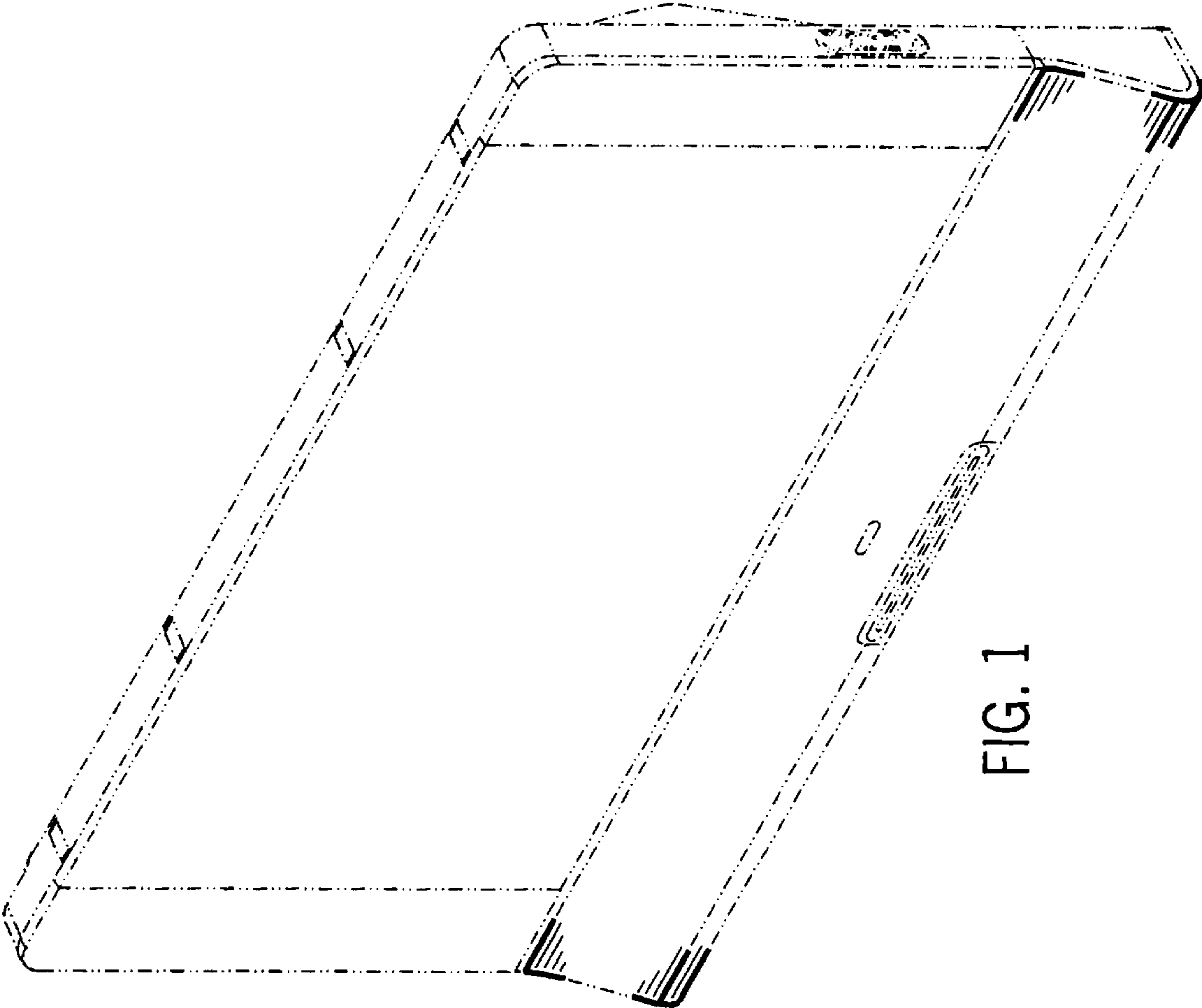


FIG. 1

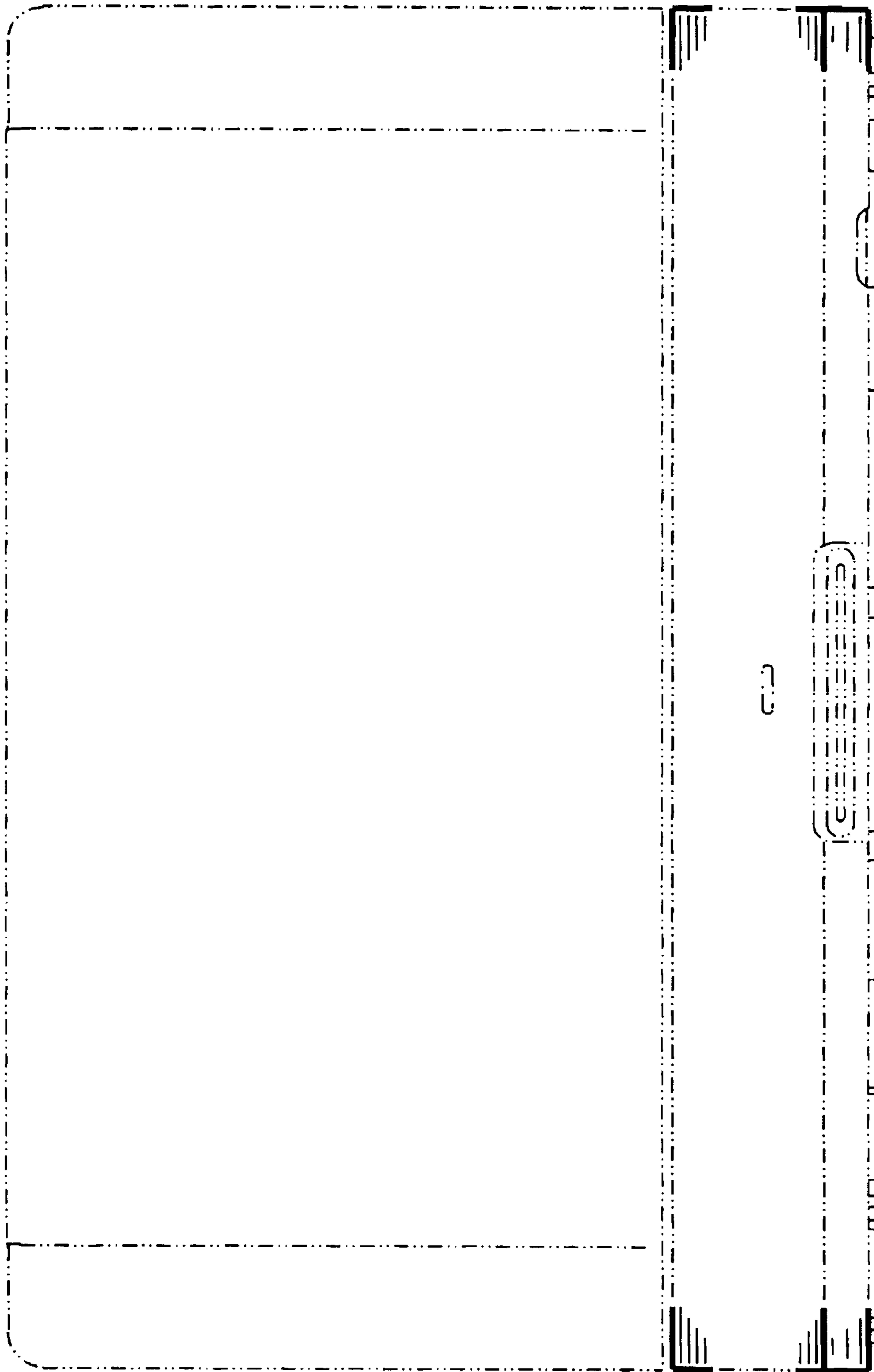


FIG. 2

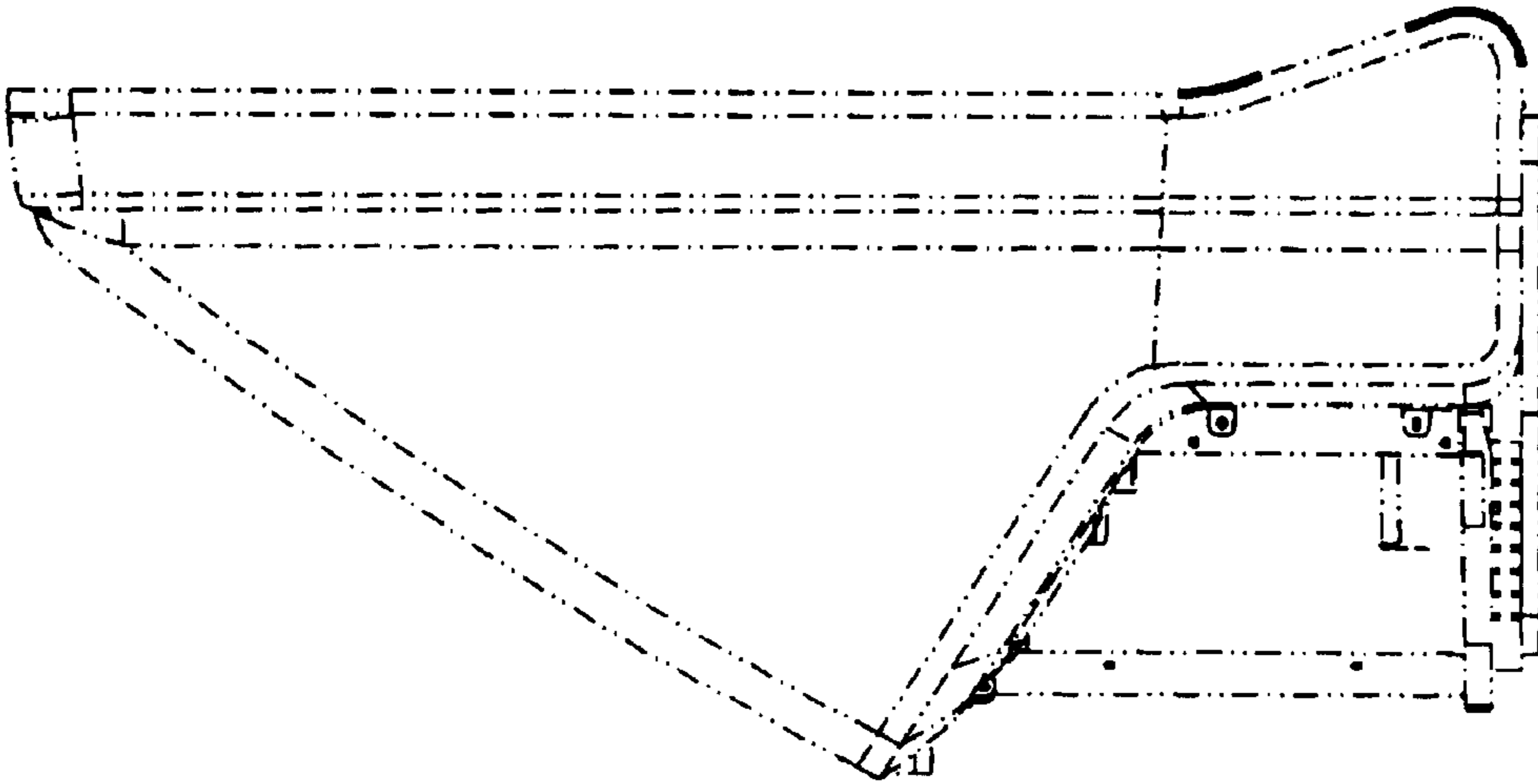


FIG. 4

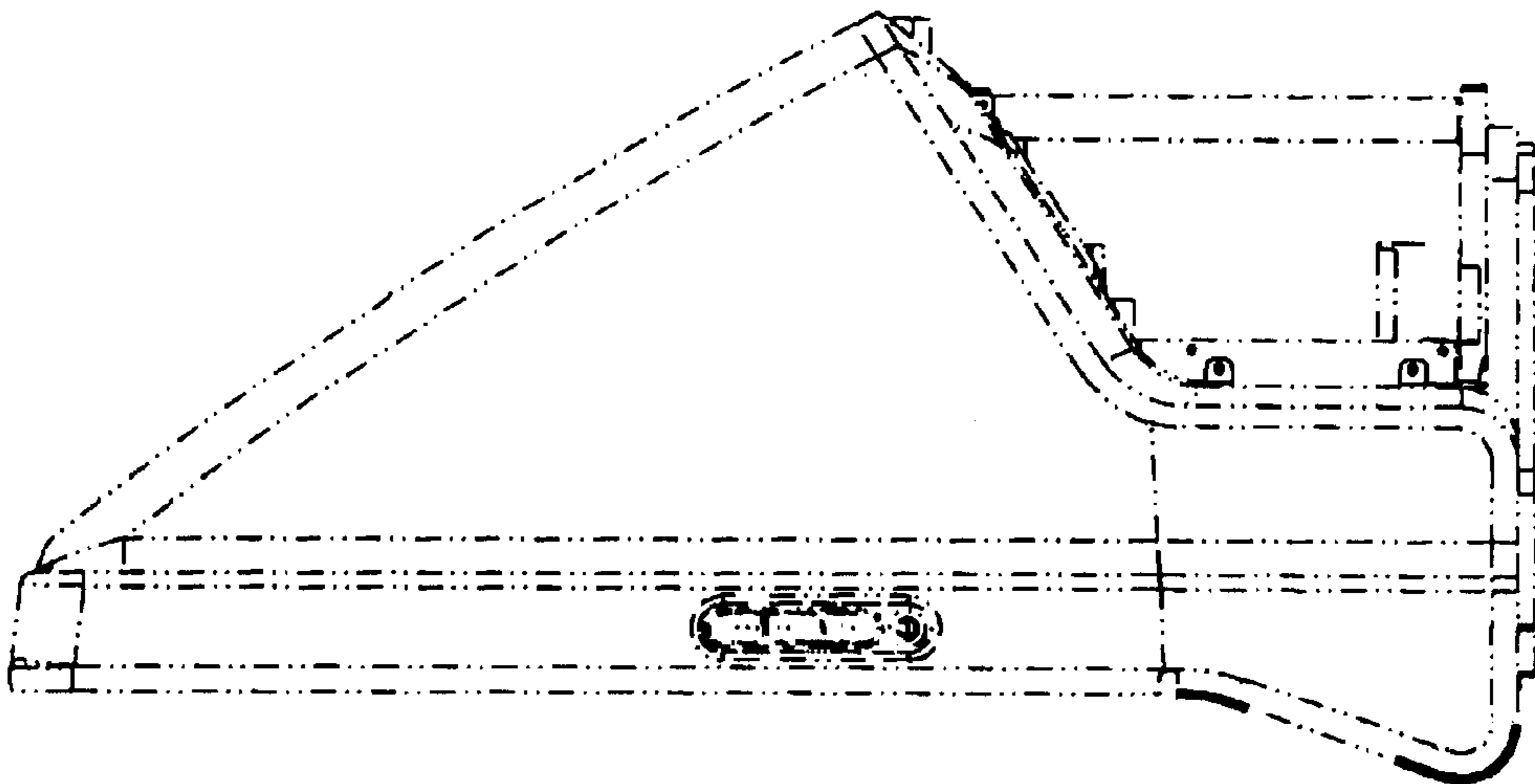


FIG. 3

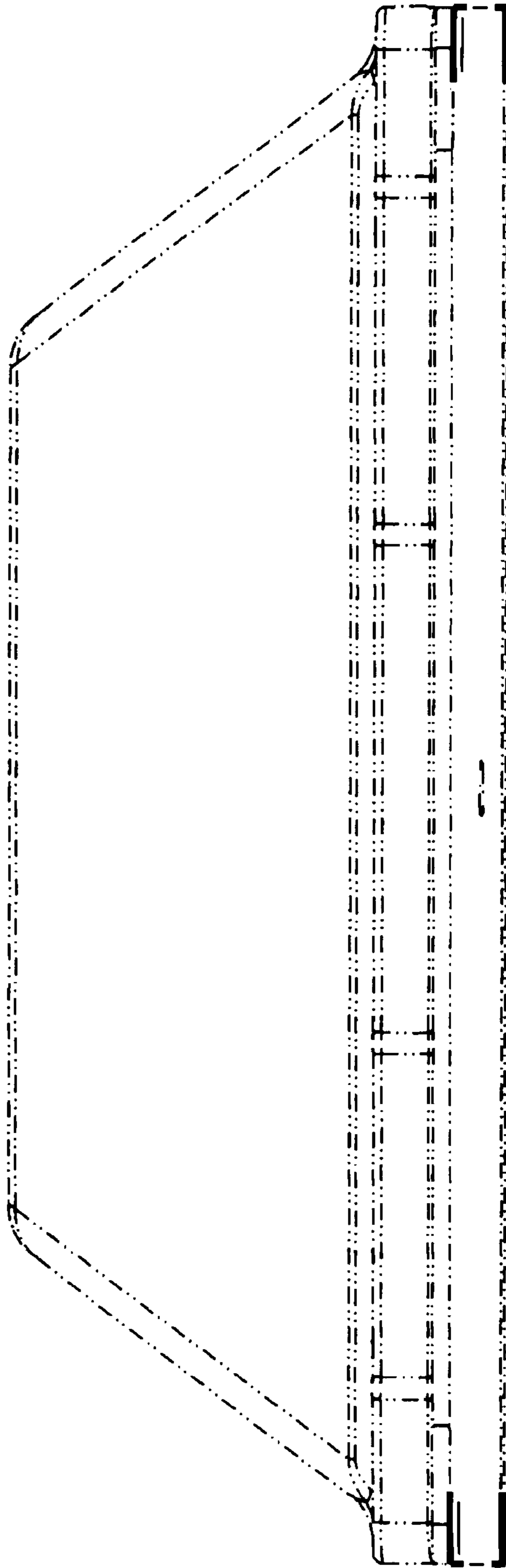


FIG. 5

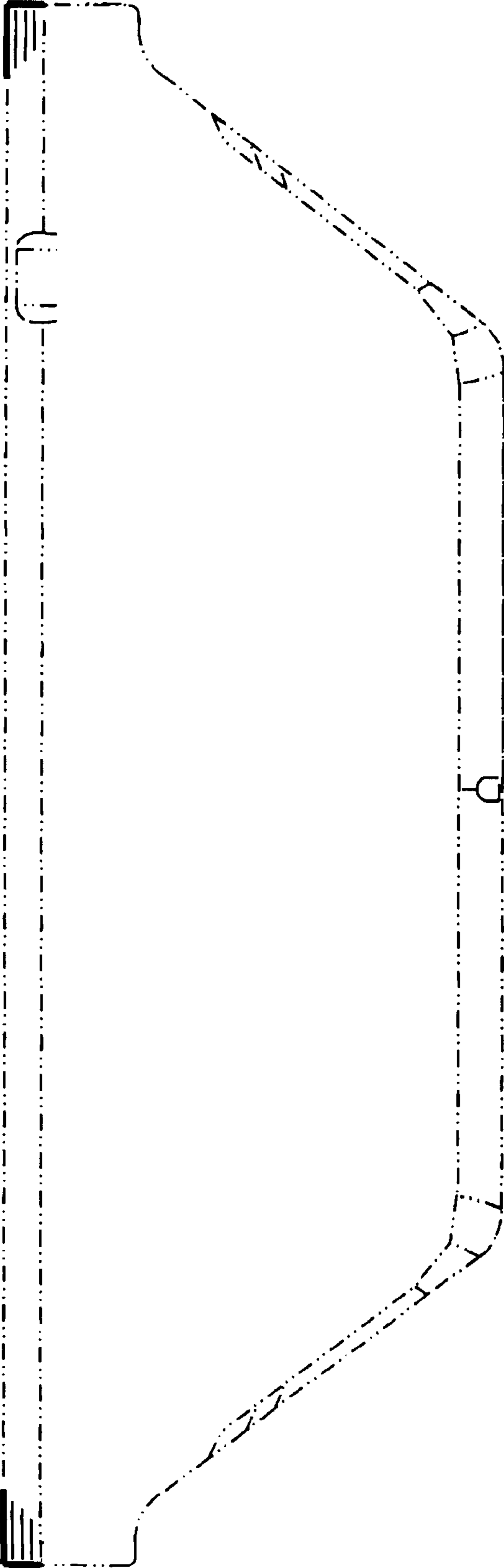


FIG. 6

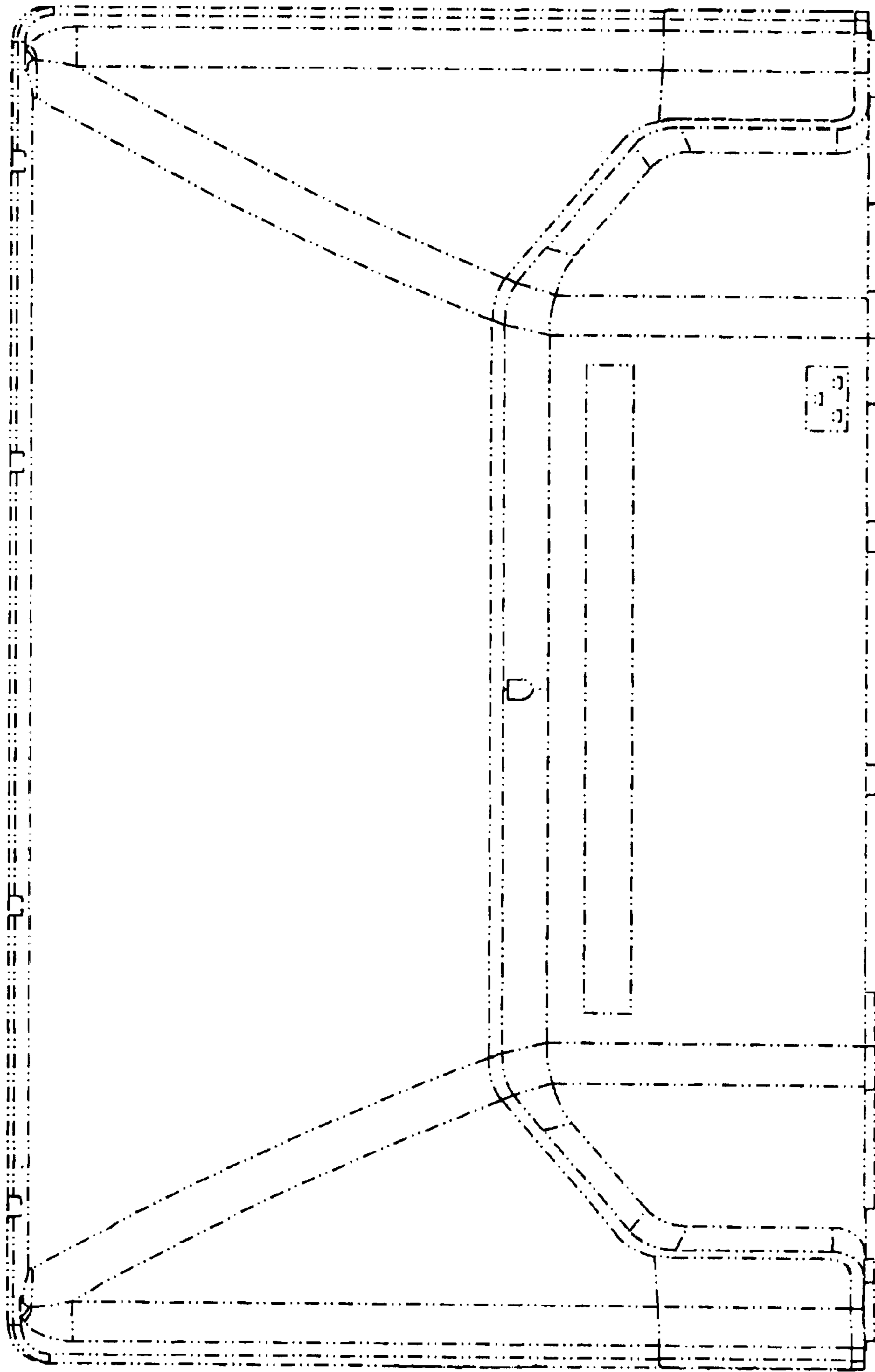


FIG. 7

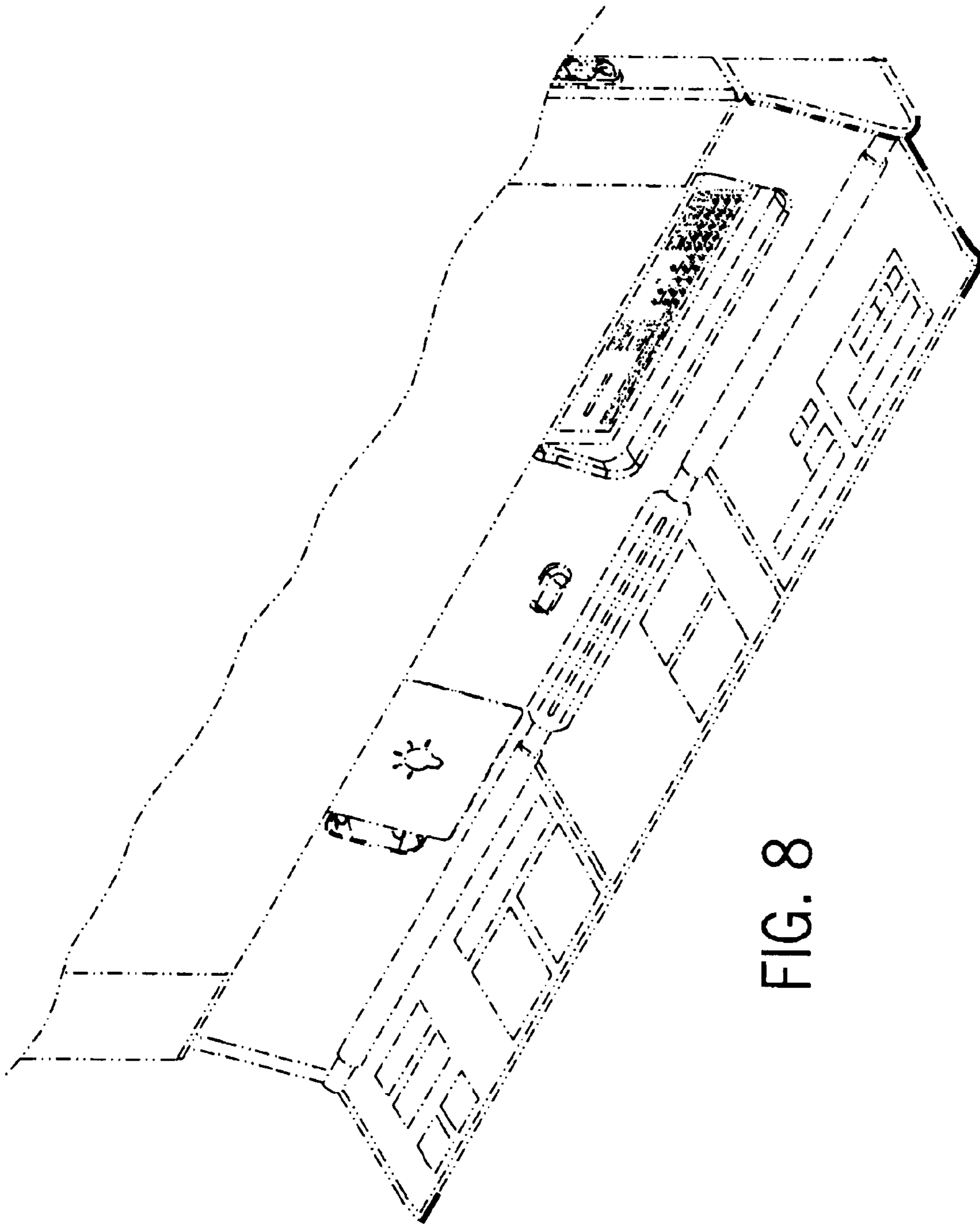


FIG. 8