



US00D539291S

(12) **United States Design Patent**
Li et al.

(10) **Patent No.:** **US D539,291 S**
(45) **Date of Patent:** **** Mar. 27, 2007**

(54) **COMPUTER ENCLOSURE STAND**

(75) Inventors: **Tao Li**, Shenzhen (CN); **Chun-Chi Liang**, Tu-Cheng (TW); **Jing-Renn Yu**, Tu-Cheng (TW); **Yun-Dong Xu**, Shenzhen (CN); **Ding-Ding Zhang**, Shenzhen (CN); **Ting Xu**, Shenzhen (CN)

(73) Assignee: **Hon Hai Precision Ind. Co., Ltd.**, Taipei Hsien (TW)

(**) Term: **14 Years**

(21) Appl. No.: **29/229,964**

(22) Filed: **May 12, 2005**

(30) **Foreign Application Priority Data**

Mar. 11, 2005 (CN) 2005 3 0053919

(51) **LOC (8) Cl.** **08-07**

(52) **U.S. Cl.** **D14/447**

(58) **Field of Classification Search** 248/442.2, 248/918, 279.1, 284.1, 454, 457, 917, 65, 248/309.1, 441.1, 455, 460, 923, 371, 447, 248/393, 398, 122.1, 127, 133, 136; D14/447, D14/434, 375, 376, 432, 439, 451, 356, 316, D14/448; D6/300, 512, 310-12, 419, 462, D6/457; 361/683, 686; 108/10, 28, 32, 6; D19/86, 90-1, 65; 211/89.01; D11/78.1, D11/1; 40/658; 24/17 B, DIG. 9, 67.9, 67.3, 24/499, 67 R, 562-63, 545, 33 R; 7/151; D7/601, 631; 72/379.2; D8/394, 395

See application file for complete search history.

(56) **References Cited**

U.S. PATENT DOCUMENTS

299,323 A * 5/1884 Ball 24/17 A
D26,631 S * 2/1897 Griswold D11/1
645,649 A * 3/1900 Richards 213/9
D46,513 S * 10/1914 Seefried D19/65
1,857,488 A * 5/1932 Weeks 24/563

D116,438 S * 8/1939 Wright D8/395
D186,435 S * 10/1959 Wilson D8/395
3,057,028 A * 10/1962 Lorber 24/67.9
3,327,358 A * 6/1967 Schick 24/33 R
D231,137 S * 4/1974 Juhlin D19/90
D236,335 S * 8/1975 Lacivita D12/115
D256,663 S * 9/1980 Gilb D8/354
D265,051 S * 6/1982 Hentzschel et al. D8/354
4,716,634 A * 1/1988 Fan 24/545
D315,491 S * 3/1991 Skowron et al. D8/355
D363,453 S * 10/1995 Herdt D11/78.1
D425,126 S * 5/2000 Holguin et al. D19/65
D443,387 S * 6/2001 Torres et al. D27/161
D483,469 S * 12/2003 Hsia et al. D23/411
D483,767 S * 12/2003 Green et al. D14/451

* cited by examiner

Primary Examiner—M. H. Tung

Assistant Examiner—Susan Moon Lee

(74) *Attorney, Agent, or Firm*—Wei Te Chung

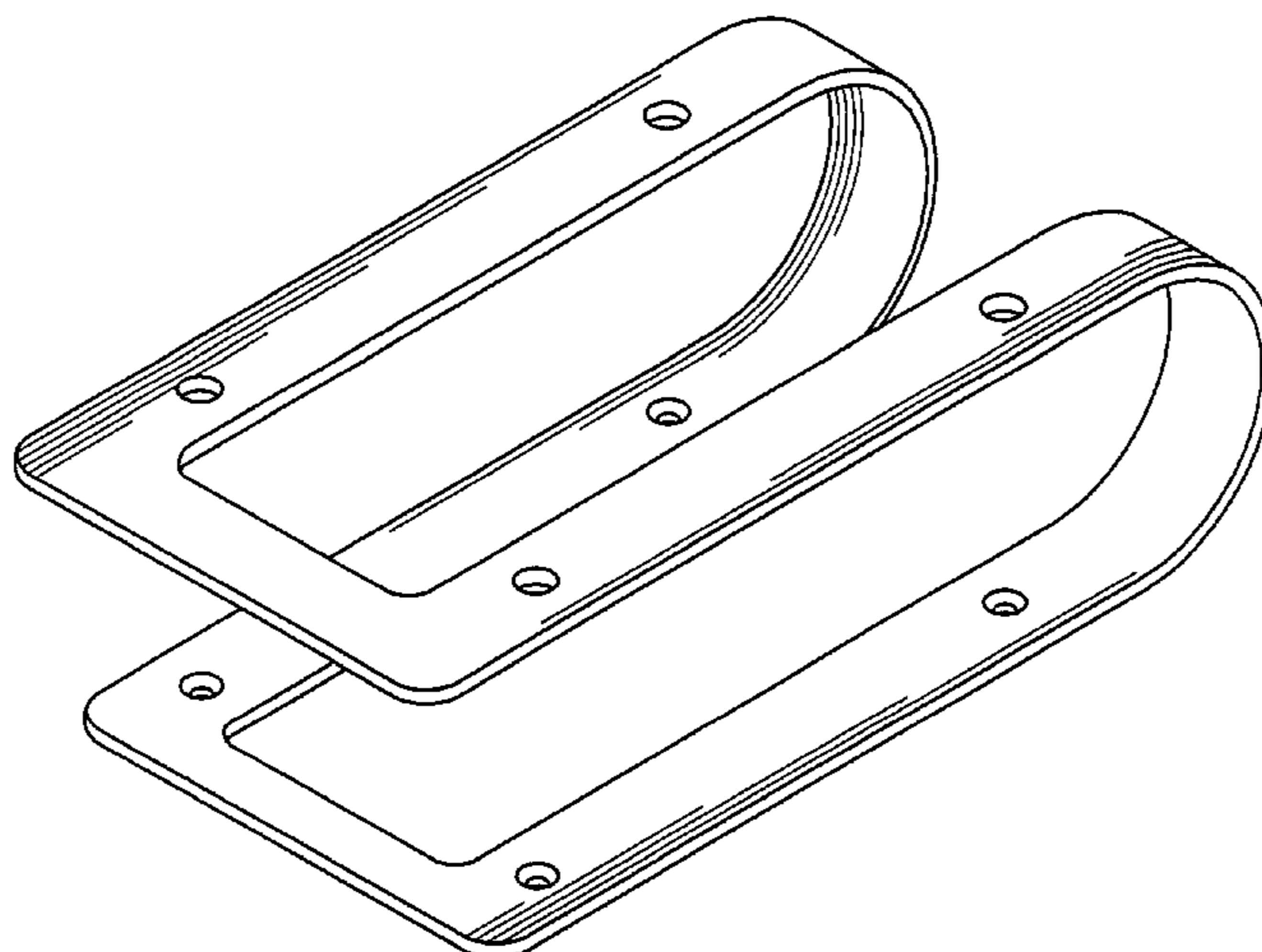
(57) **CLAIM**

The ornamental design for a computer enclosure stand, as shown and described.

DESCRIPTION

FIG. 1 is an isometric view of a computer enclosure stand of our new design;
FIG. 2 is a front elevational view thereof;
FIG. 3 is a rear elevational view thereof;
FIG. 4 is a left side elevational view thereof;
FIG. 5 is a right side elevational view thereof;
FIG. 6 is a top plan view thereof;
FIG. 7 is a bottom plan view thereof; and
FIG. 8 is a reduced scale isometric view thereof being mounted to a computer enclosure, wherein the computer enclosure is shown in broken lines for illustrative purposes only and forms no part of the claimed design; and,
FIG. 9 is another reduced scale isometric view thereof being mounted to a computer enclosure, wherein the computer enclosure is shown in broken lines for illustrative purposes only and forms no part of the claimed design.

1 Claim, 7 Drawing Sheets



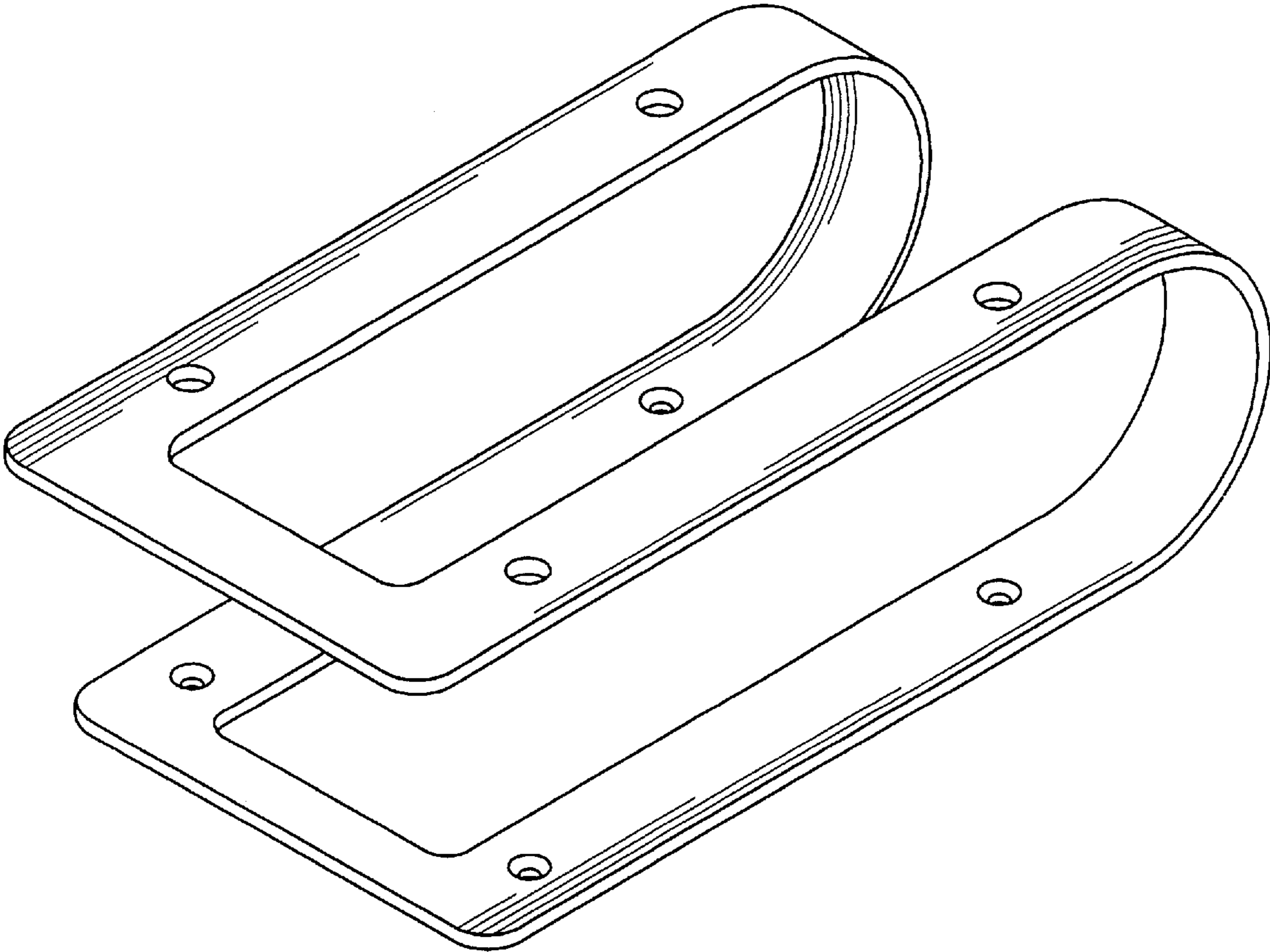


FIG. 1

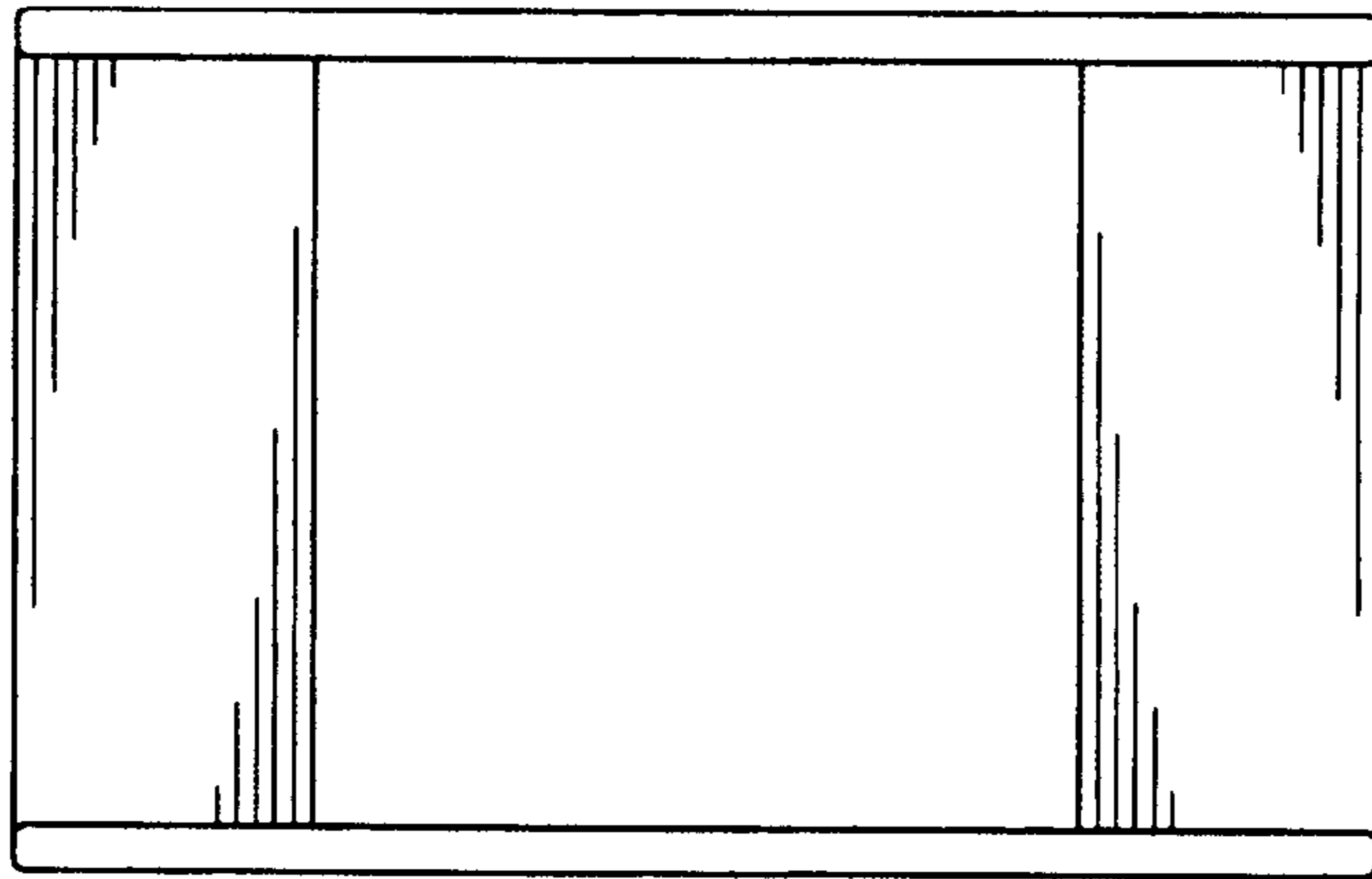


FIG. 2

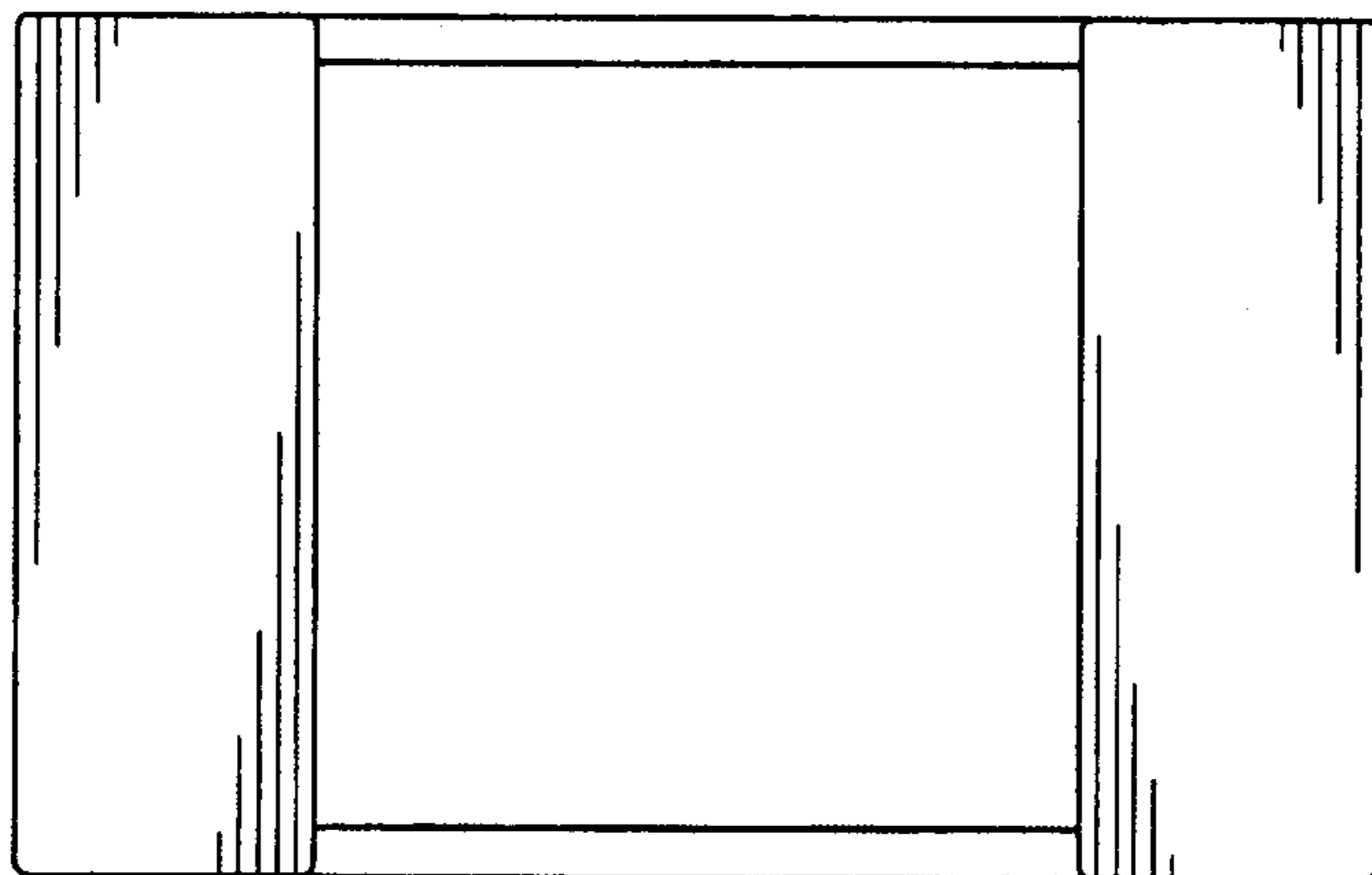


FIG. 3

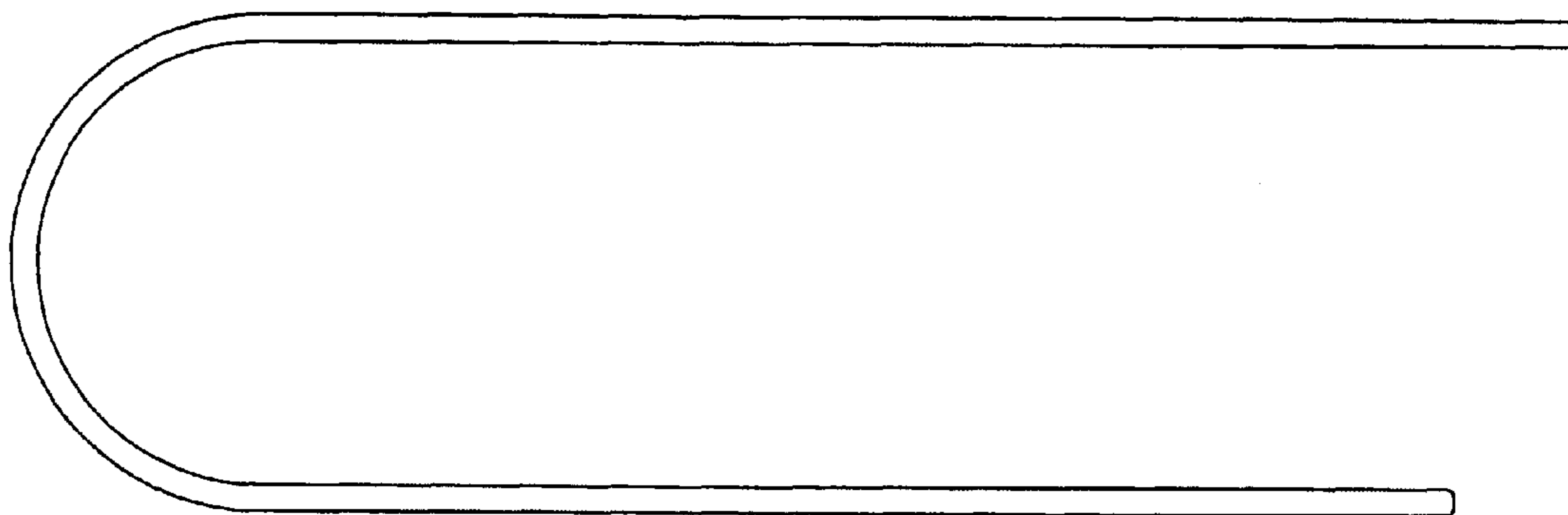


FIG. 4

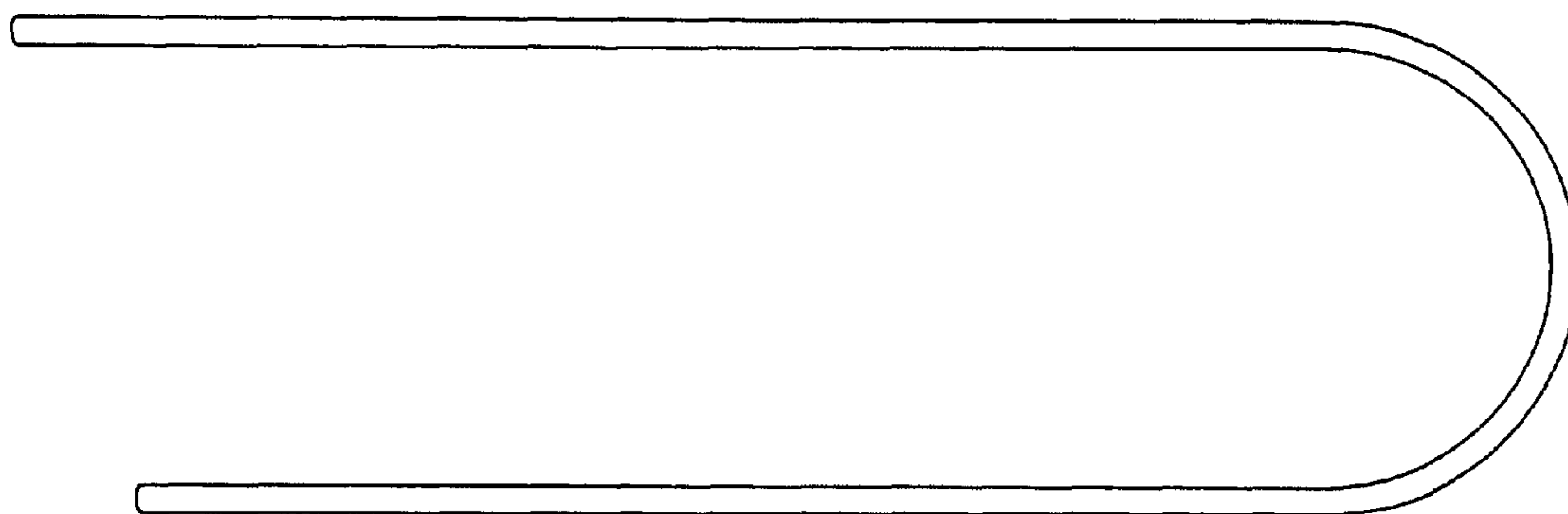


FIG. 5

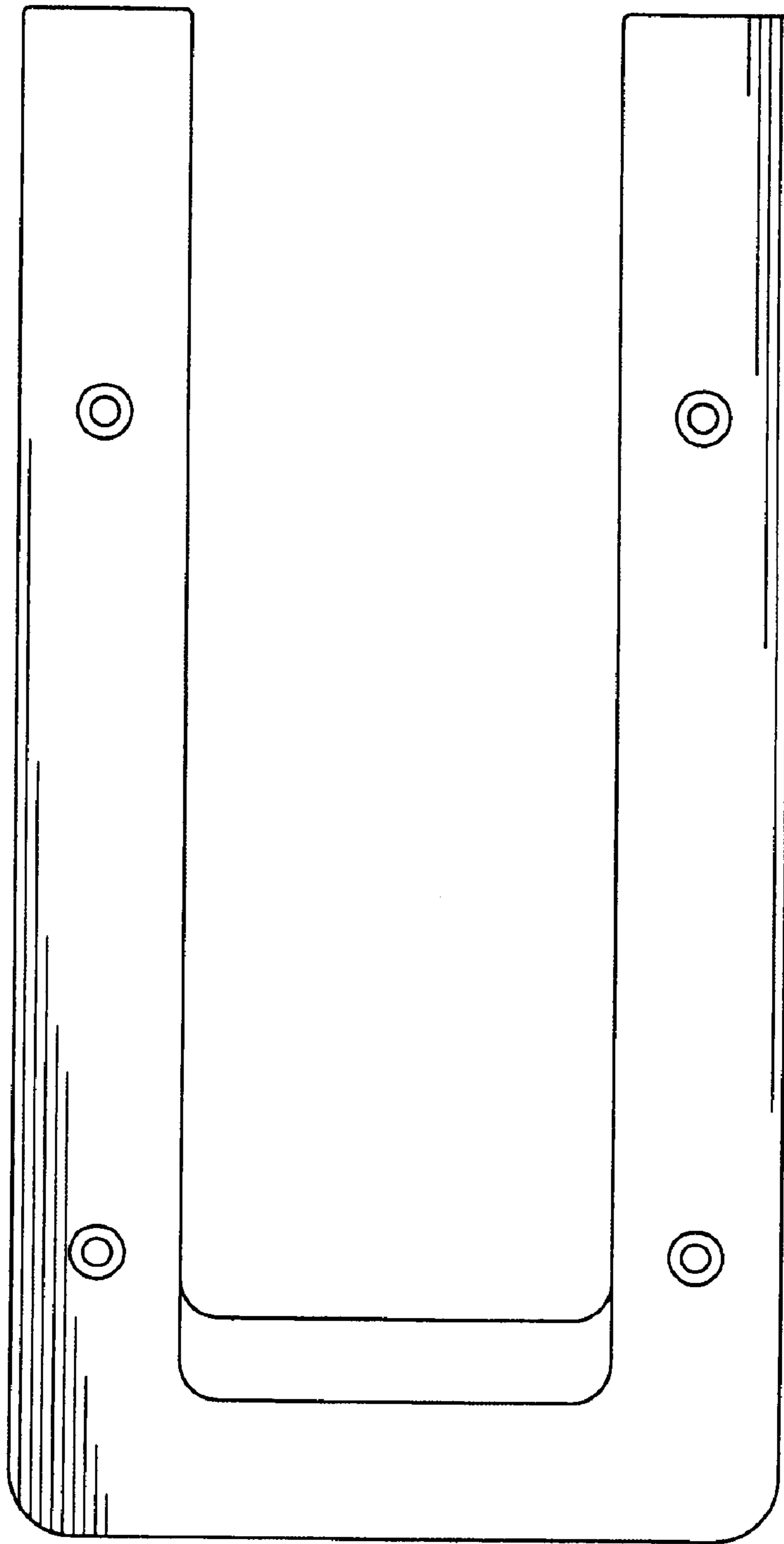


FIG. 6

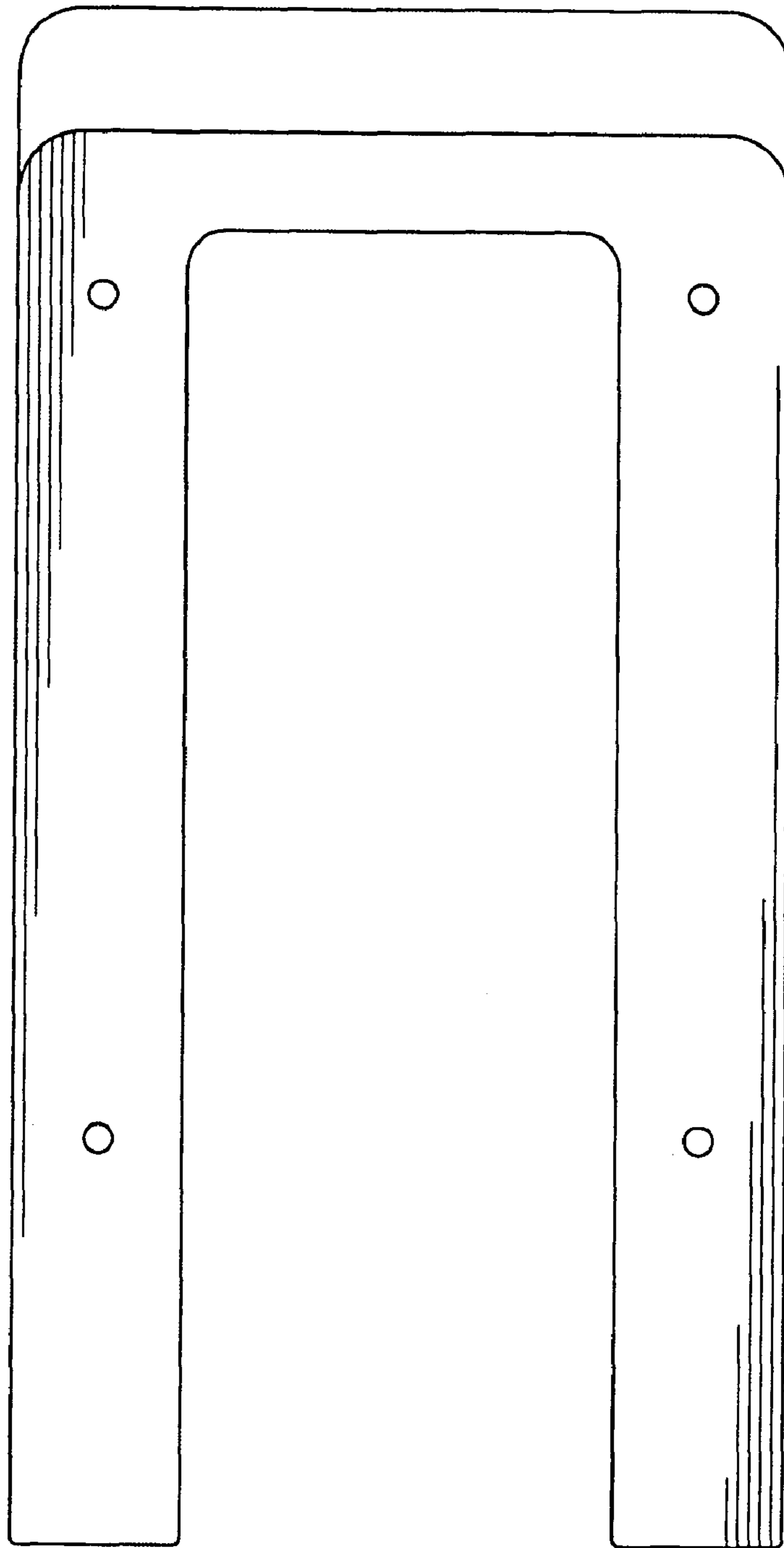


FIG. 7

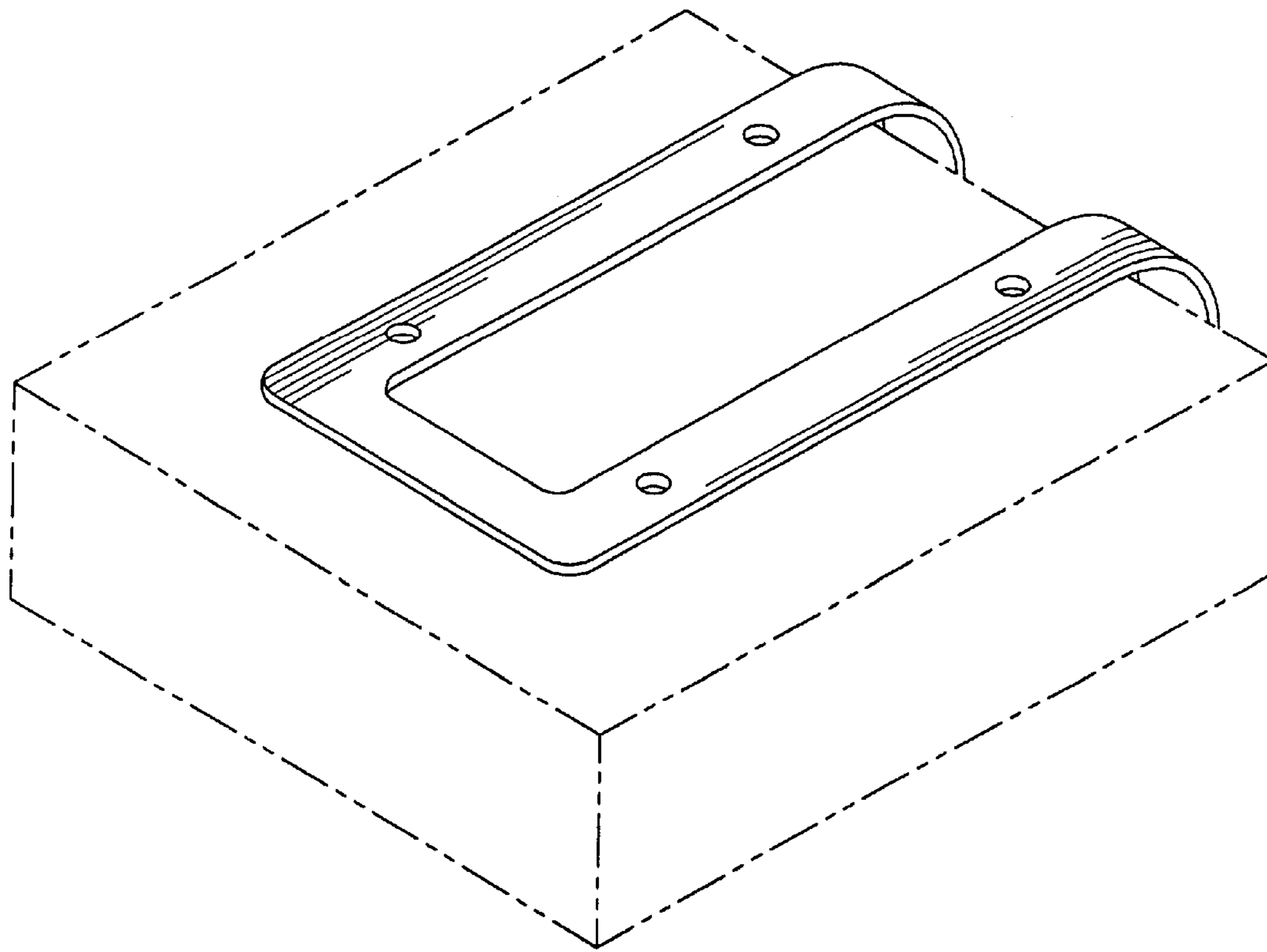


FIG. 8

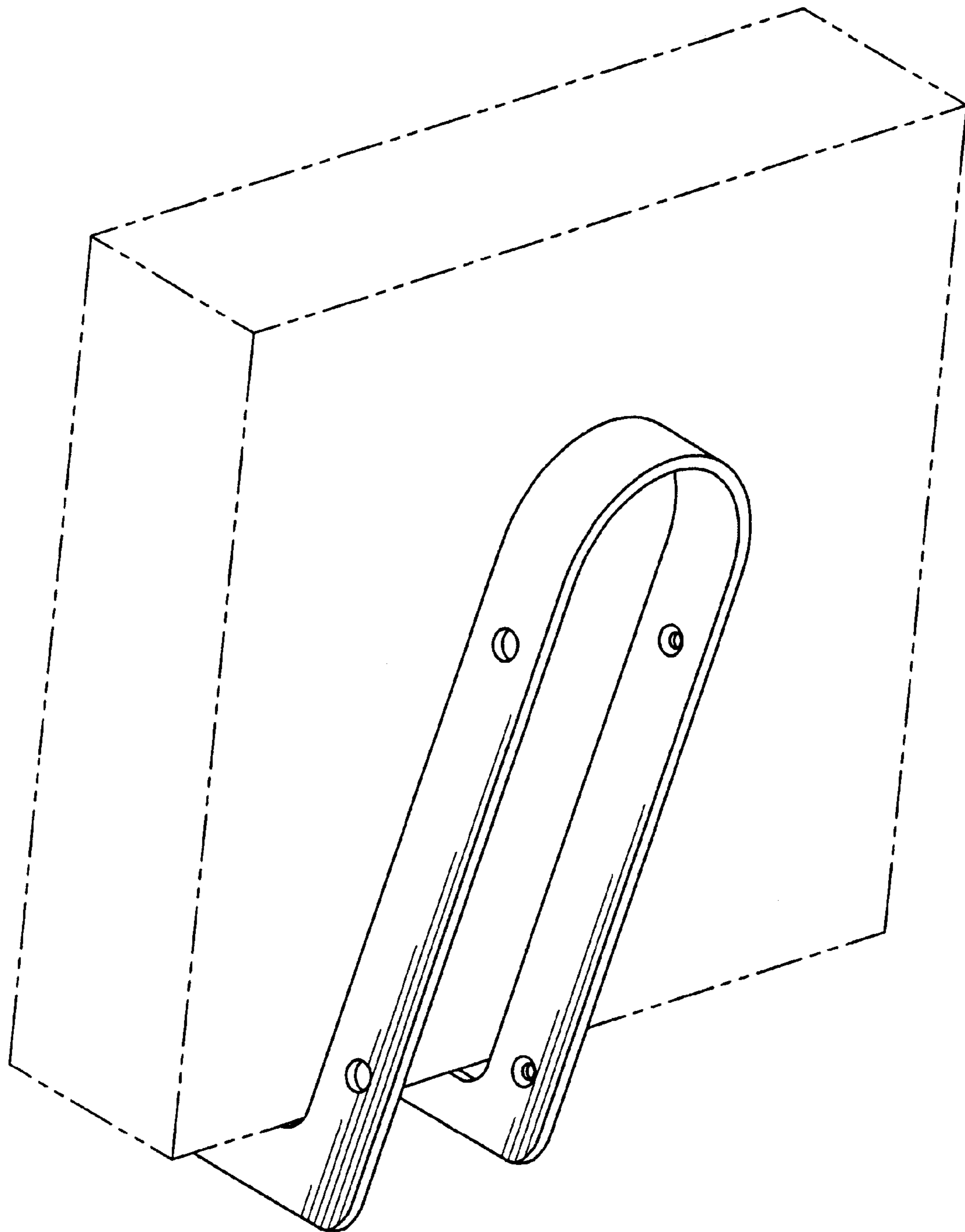


FIG. 9