

US00D539290S

(12) **United States Design Patent**
Zhu et al.

(10) **Patent No.:** **US D539,290 S**
(45) **Date of Patent:** **** Mar. 27, 2007**

(54) **STAND FOR COMPUTER ENCLOSURE**

(75) Inventors: **Ming-Wu Zhu**, Shenzhen (CN);
Chun-Chi Liang, Tu-Cheng (TW);
Jing-Renn Yu, Tu-Cheng (TW);
Yun-Dong Xu, Shenzhen (CN); **Tao Su**, Shenzhen (CN); **De-Hai Yu**, Shenzhen (CN)

(73) Assignee: **Hon Hai Precision Ind. Co., Ltd.**, Taipei Hsien (TW)

(**) Term: **14 Years**

(21) Appl. No.: **29/229,893**

(22) Filed: **May 12, 2005**

(30) **Foreign Application Priority Data**

Mar. 11, 2005 (CN) 2005 3 0053916

(51) **LOC (8) Cl.** **08-07**

(52) **U.S. Cl.** **D14/447**

(58) **Field of Classification Search** 248/442.2, 248/918, 279.1, 284.1, 454, 457, 917, 65, 248/30, 441.1, 455, 460, 923, 371, 447, 393, 248/398, 122.1, 127, 133, 136; D14/447, D14/434, 375, 376, 432, 439, 451, 356, 316, D14/448; D6/300, 512, 310-12, 419, 457, D6/462; 361/683, 686; 108/10, 28, 32, 6; D19/86, 90-1; 24/67.9; D8/371, 354
See application file for complete search history.

(56) **References Cited**

U.S. PATENT DOCUMENTS

D230,348 S * 2/1974 Sabel D8/371

D256,663 S * 9/1980 Gilb D8/354
D265,051 S * 6/1982 Hentzschel et al. D8/354
D313,710 S * 1/1991 Liberty D6/462
D363,453 S * 10/1995 Herdt D11/78.1
5,606,777 A * 3/1997 Lu 24/67.9
D415,768 S * 10/1999 Howell D14/451
D443,387 S * 6/2001 Torres et al. D27/161
6,456,493 B1 * 9/2002 Lee 361/704
D483,469 S * 12/2003 Hsia et al. D23/411
D491,952 S * 6/2004 Oddsen et al. D14/447

* cited by examiner

Primary Examiner—M. H. Tung

Assistant Examiner—Susan Moon Lee

(74) *Attorney, Agent, or Firm*—Wei Te Chung

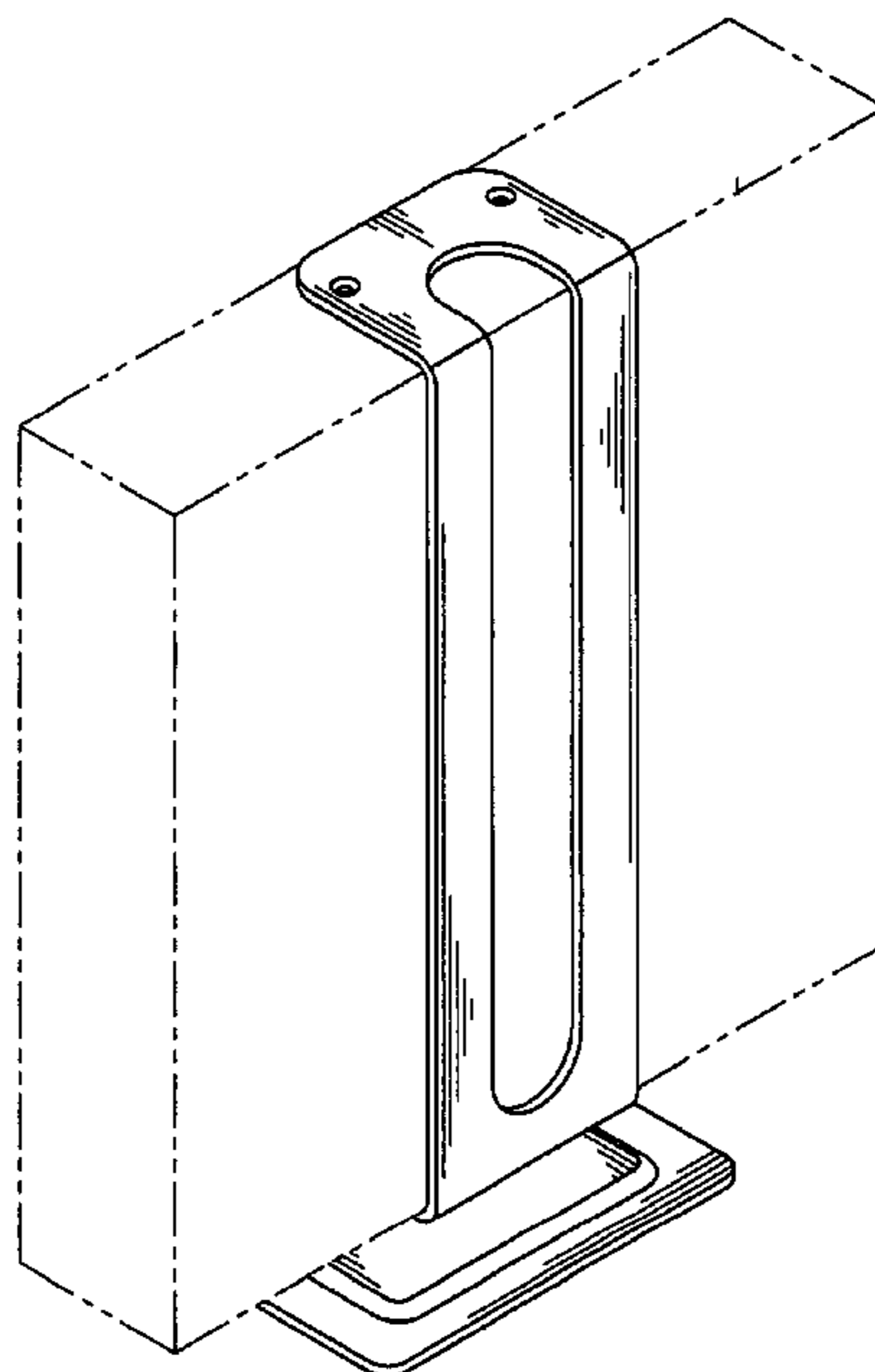
(57) **CLAIM**

The ornamental design for a stand for computer enclosure, as shown and described.

DESCRIPTION

FIG. 1 is an isometric view of a stand for computer enclosure of our new design;
FIG. 2 is a front elevational view thereof;
FIG. 3 is a rear elevational view thereof;
FIG. 4 is a left side elevational view thereof;
FIG. 5 is a right side elevational view thereof;
FIG. 6 is a top plan view thereof;
FIG. 7 is a bottom plan view thereof; and,
FIG. 8 is a reduced scale isometric view thereof being mounted to a computer enclosure, wherein the computer enclosure is shown in broken lines for illustrative purposes only and forms no part of the claimed design.

1 Claim, 5 Drawing Sheets



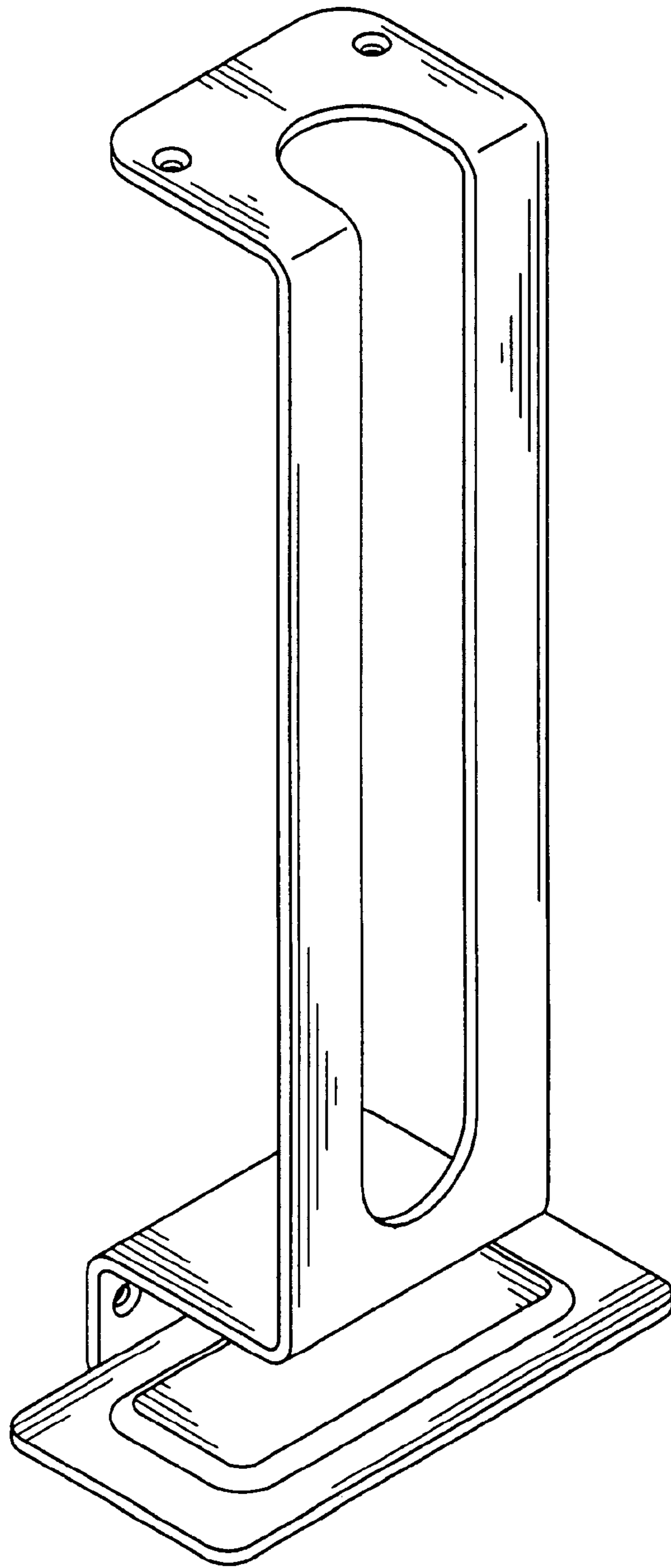


FIG. 1

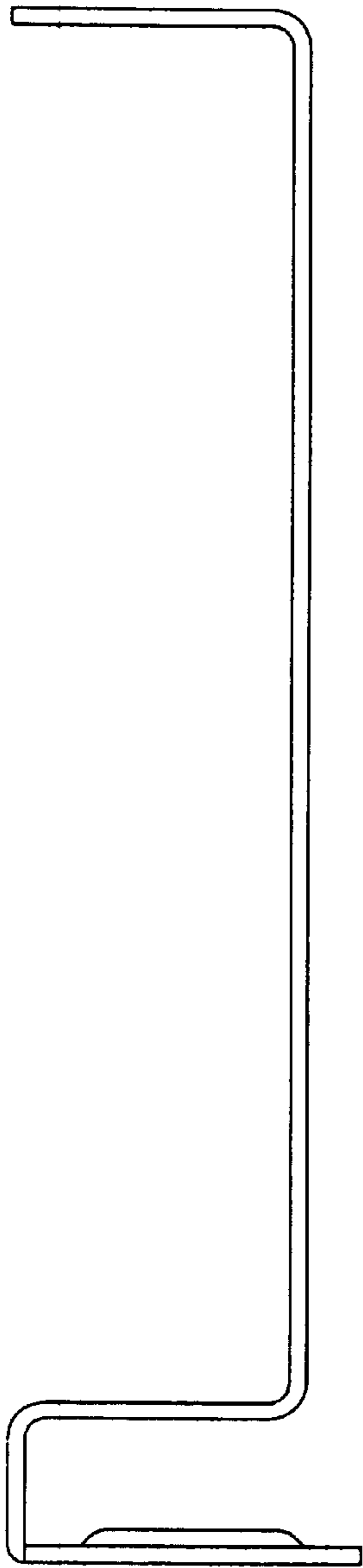


FIG. 2

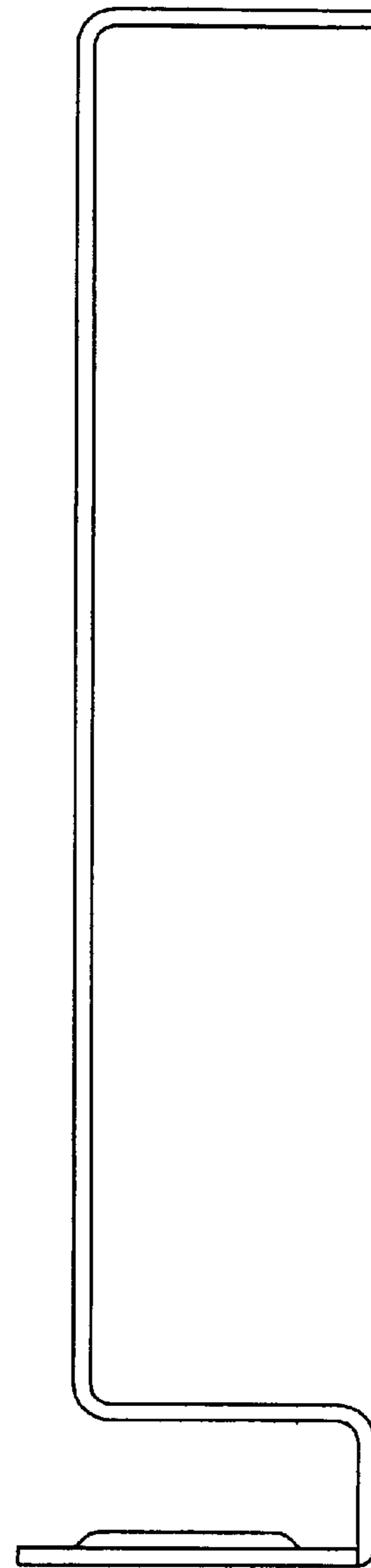


FIG. 3

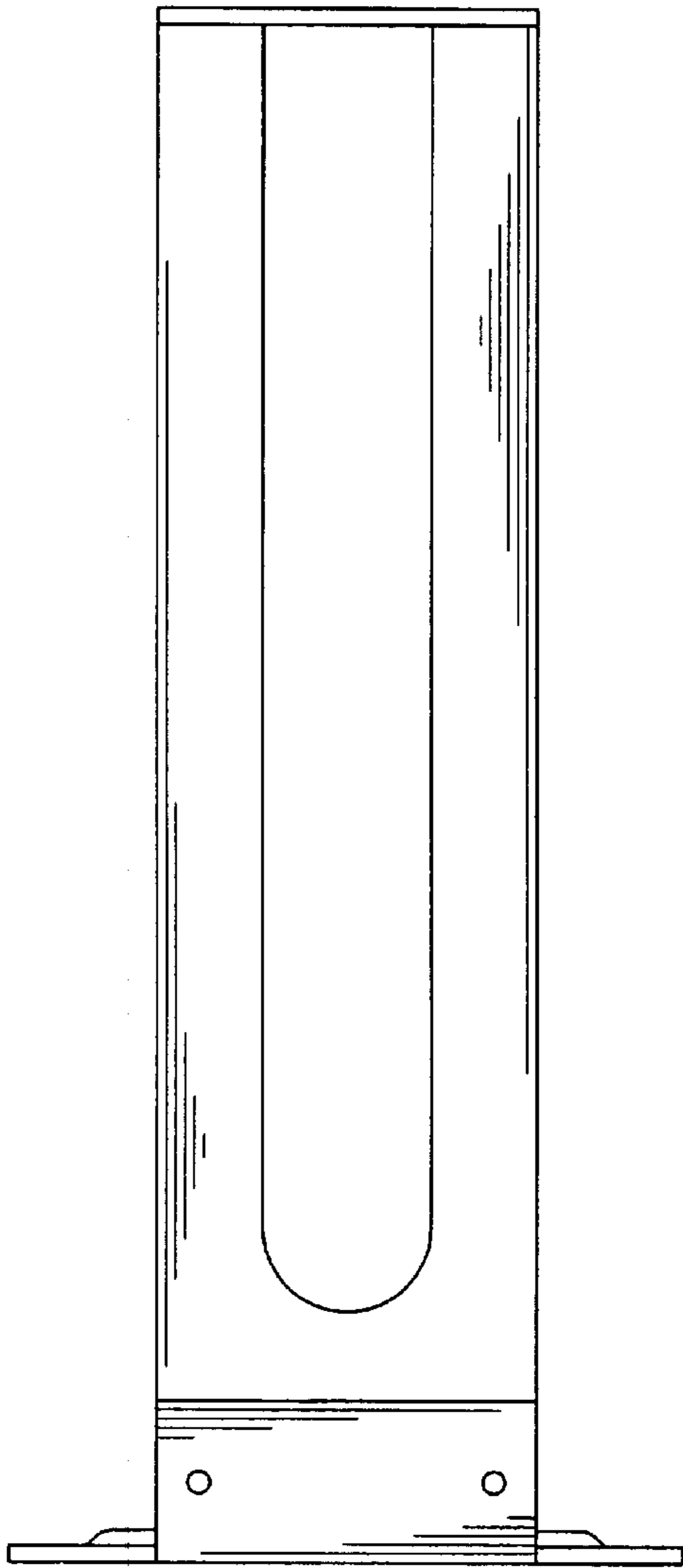


FIG. 4

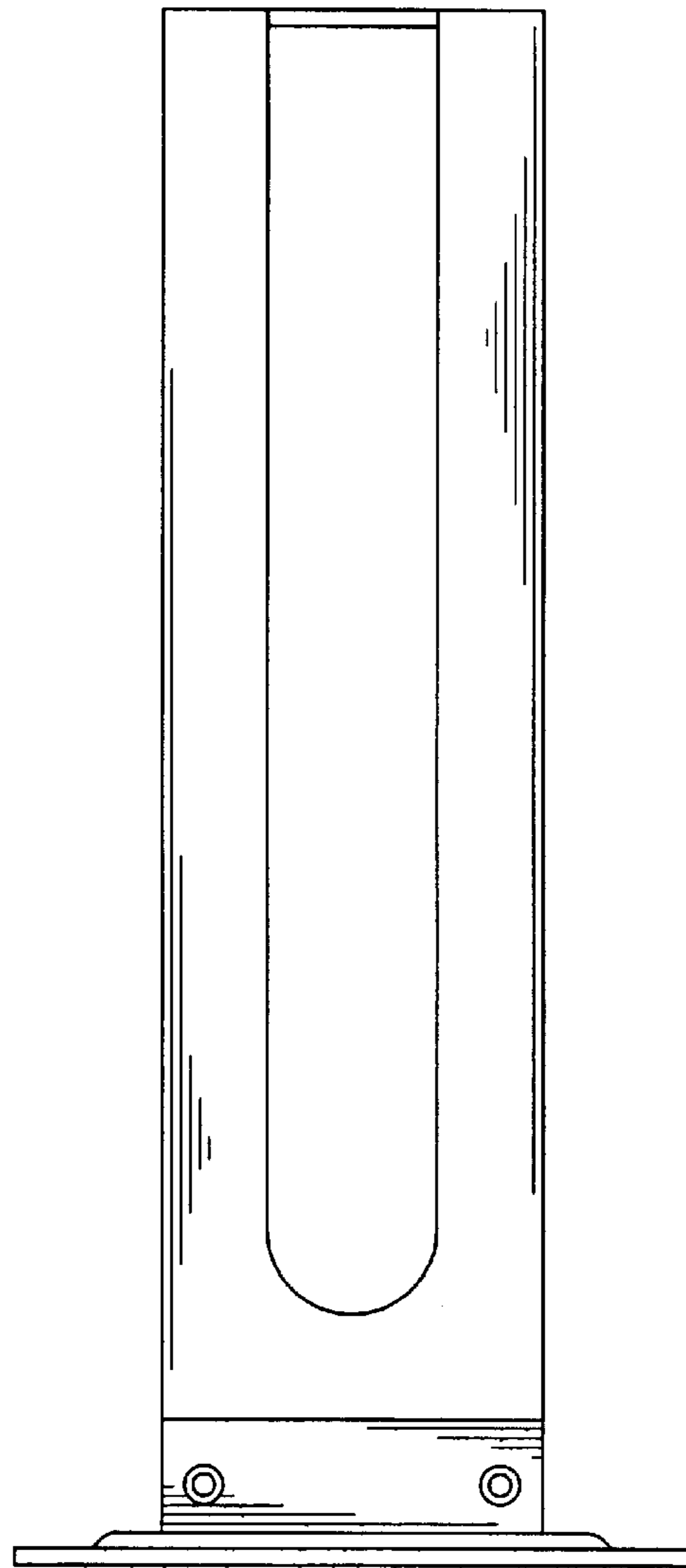


FIG. 5

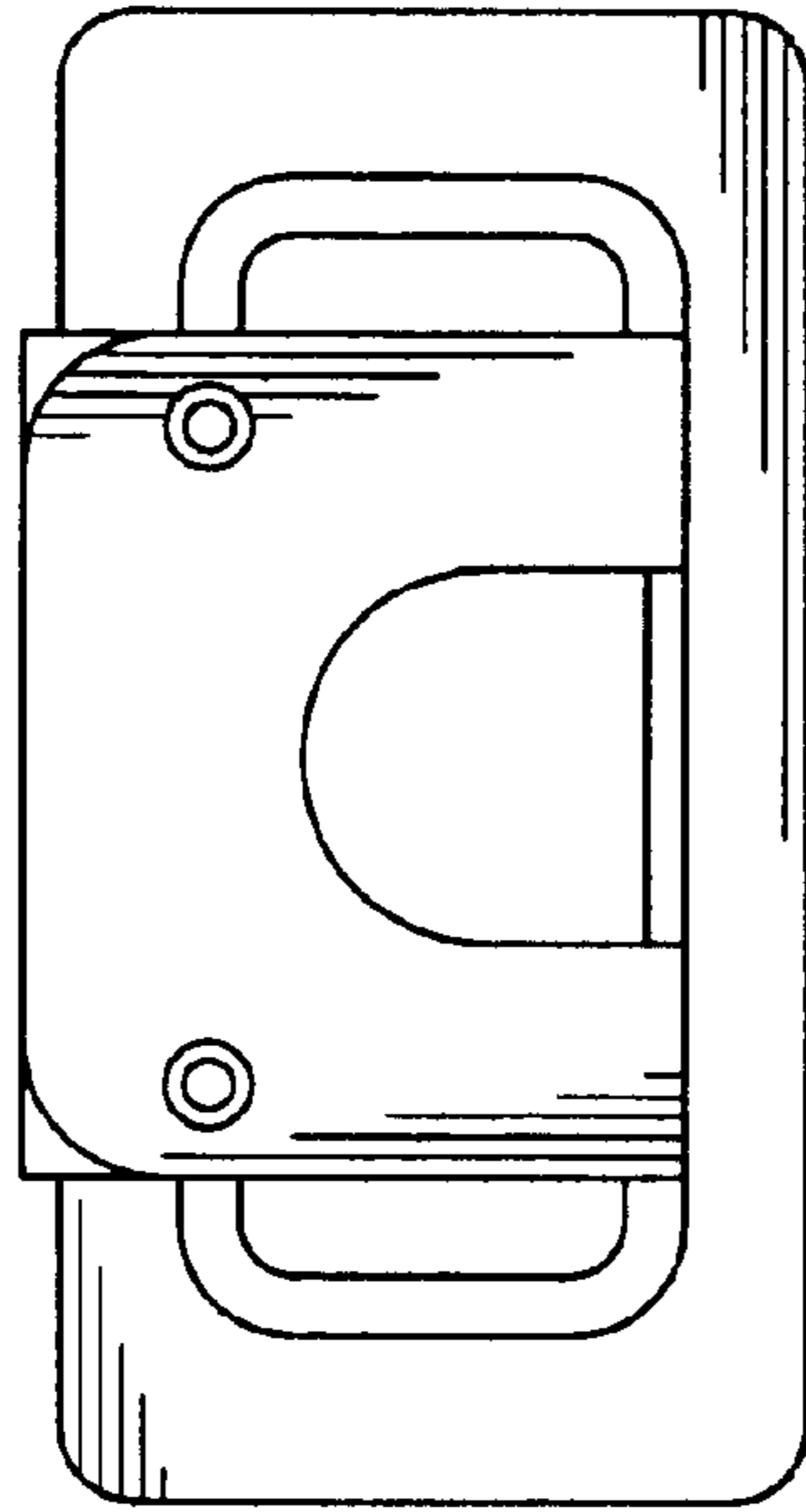


FIG. 6

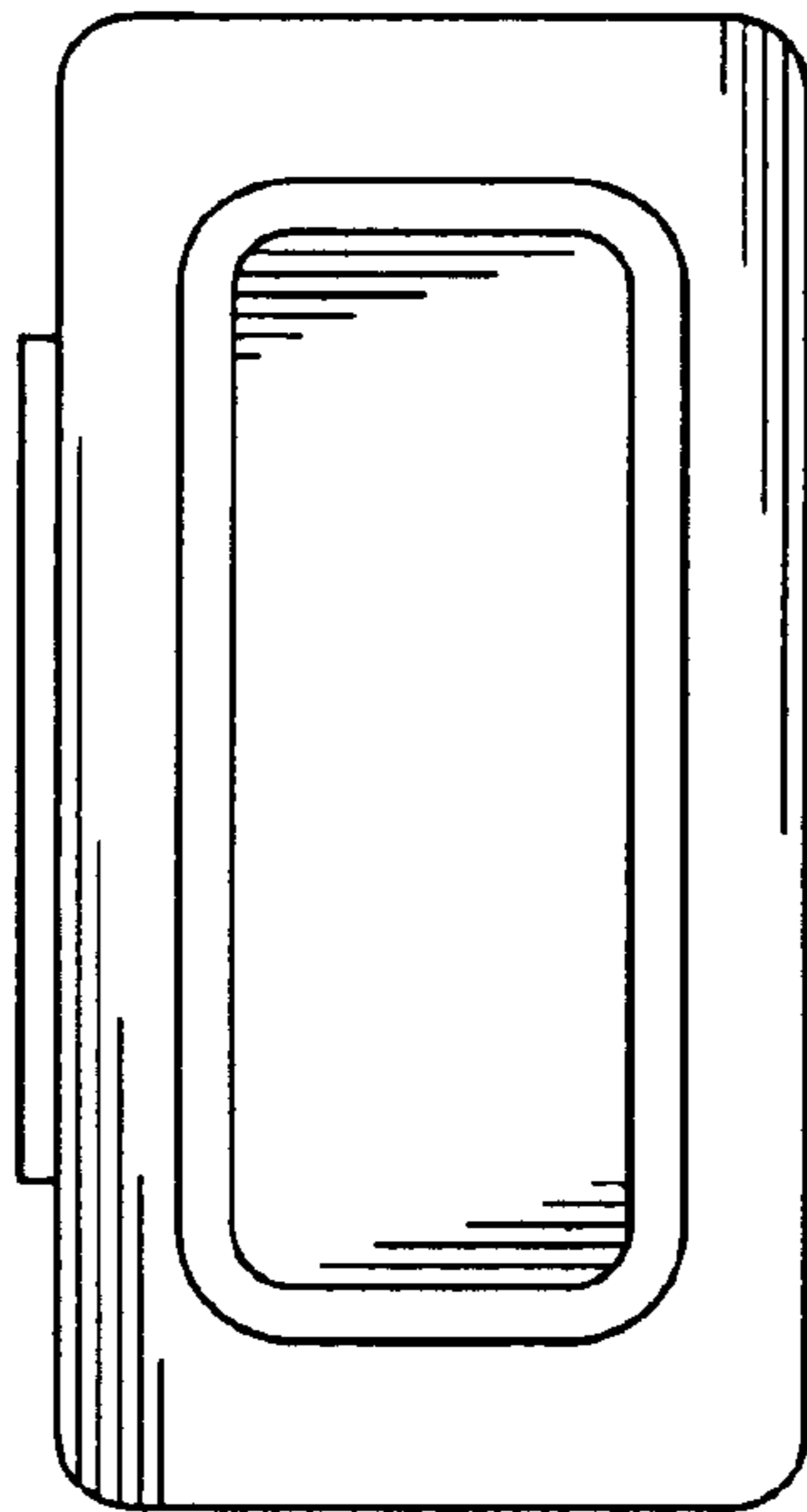


FIG. 7

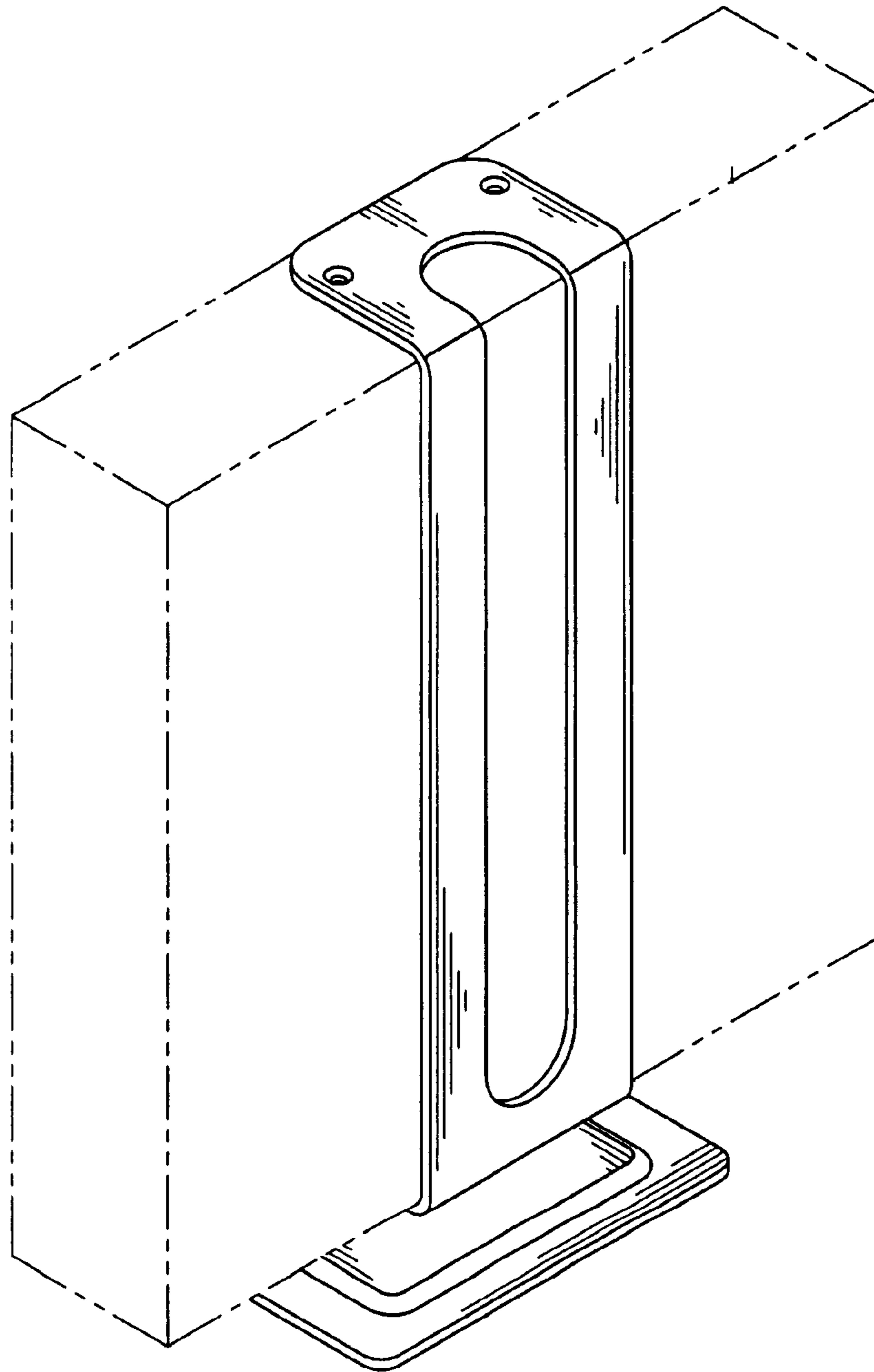


FIG. 8