



US00D539288S

(12) **United States Design Patent**  
**Li**

(10) **Patent No.:** **US D539,288 S**

(45) **Date of Patent:** **\*\* Mar. 27, 2007**

(54) **FRONT BEZEL FOR COMPUTER ENCLOSURE**

D438,205 S \* 2/2001 Tanaka ..... D14/356  
D454,133 S \* 3/2002 Yang ..... D14/441

(75) Inventor: **Tao Li**, Shenzhen (CN)

\* cited by examiner

(73) Assignee: **Hon Hai Precision Industry Co. Ltd.**,  
Taipei Hsien (TW)

*Primary Examiner*—Freda S. Nunn

(74) *Attorney, Agent, or Firm*—Jeffrey T. Knapp

(\*\*) Term: **14 Years**

(57) **CLAIM**

The ornamental design for a front bezel for computer enclosure, as shown and described.

(21) Appl. No.: **29/245,262**

(22) Filed: **Dec. 20, 2005**

**DESCRIPTION**

(30) **Foreign Application Priority Data**

Oct. 13, 2005 (CN) ..... 2005 3 0072859

FIG. 1 is a perspective view of a front bezel for computer enclosure showing my new design;

FIG. 2 is a front elevational view thereof;

(51) **LOC (8) Cl.** ..... **14-02**

FIG. 3 is a rear elevational view thereof;

(52) **U.S. Cl.** ..... **D14/444**

FIG. 4 is a left-side, elevational view thereof;

(58) **Field of Classification Search** ..... D14/441-446,  
D14/356; D13/162, 184, 199; 312/223.2;  
360/99.01-99.12; 361/680-686, 690-696;  
369/34.01, 36.01

FIG. 5 is a right-side, elevational view thereof;

FIG. 6 is a top plan view thereof;

FIG. 7 is a bottom plan view thereof; and,

FIG. 8 is a perspective view thereof being mounted to a computer enclosure.

See application file for complete search history.

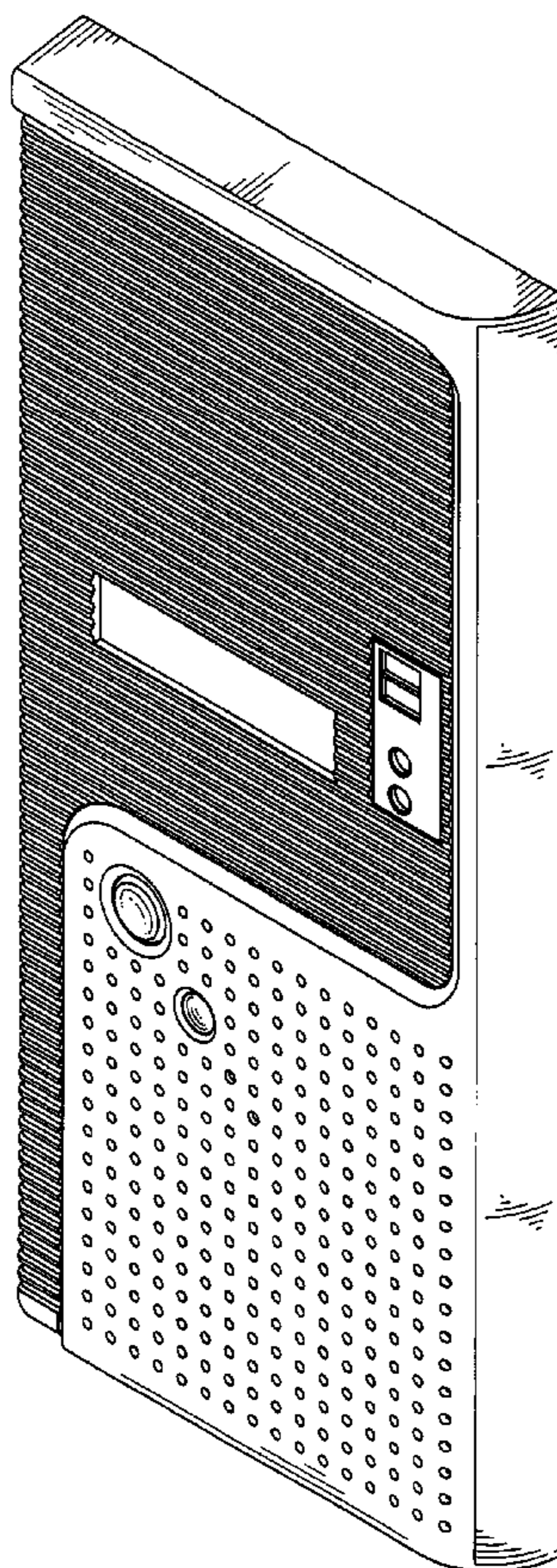
Broken lines are for illustrative purposes only and form no part of the claimed design.

(56) **References Cited**

**U.S. PATENT DOCUMENTS**

D396,460 S \* 7/1998 Su ..... D14/444

**1 Claim, 6 Drawing Sheets**



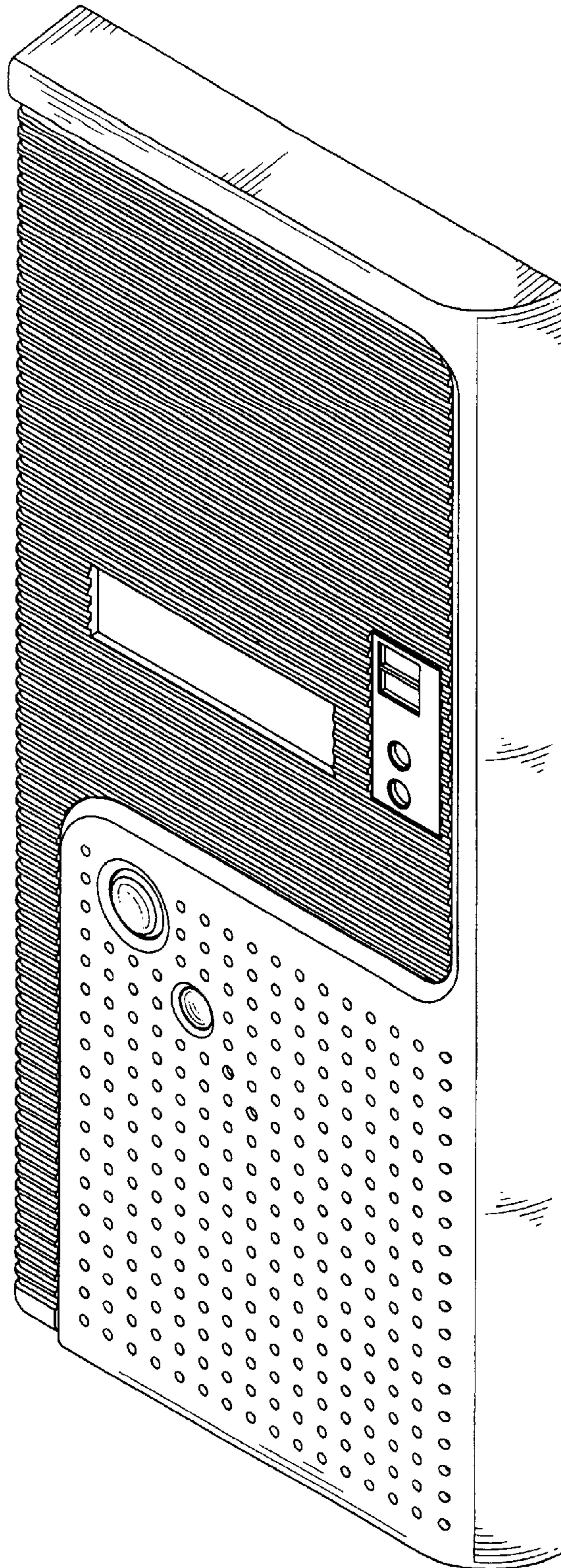


FIG. 1

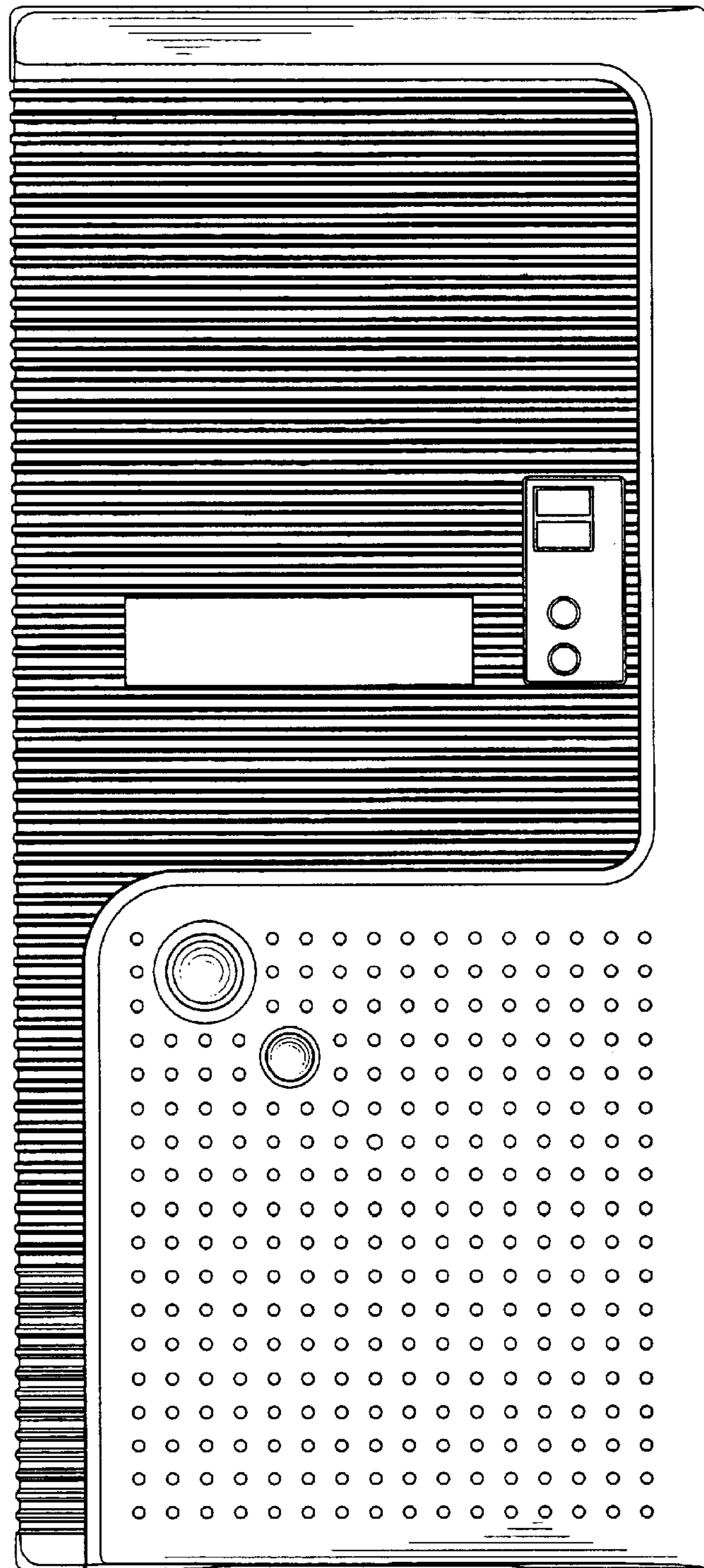


FIG. 2

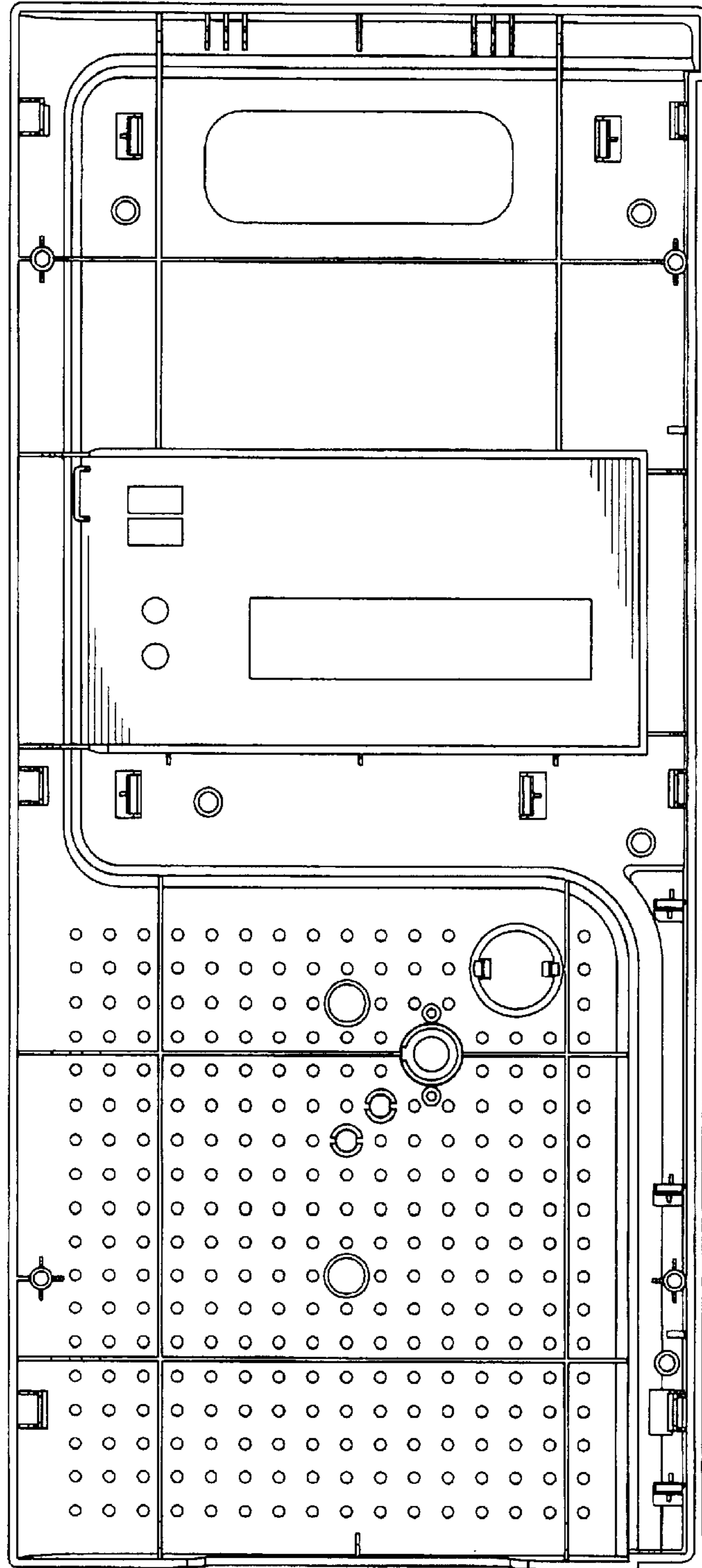


FIG. 3



FIG. 4

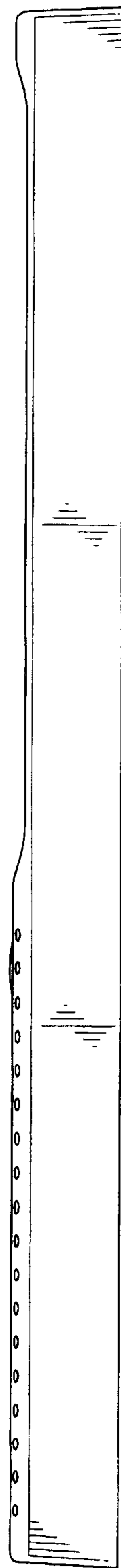


FIG. 5

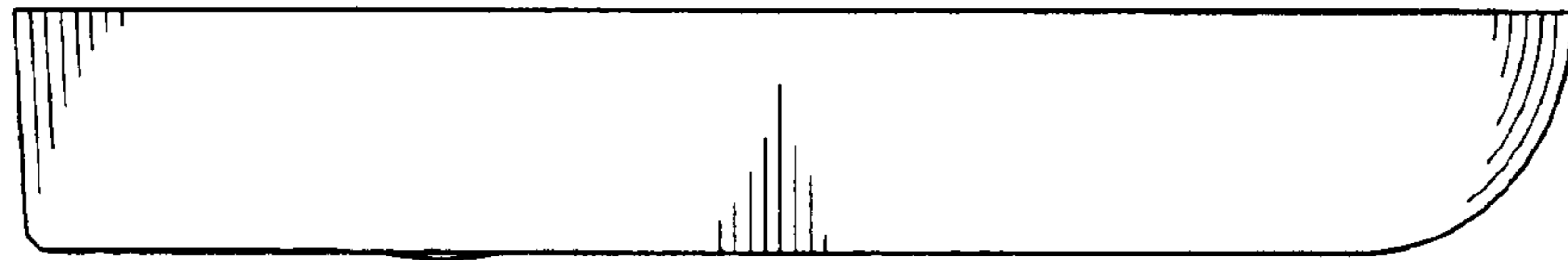


FIG. 6

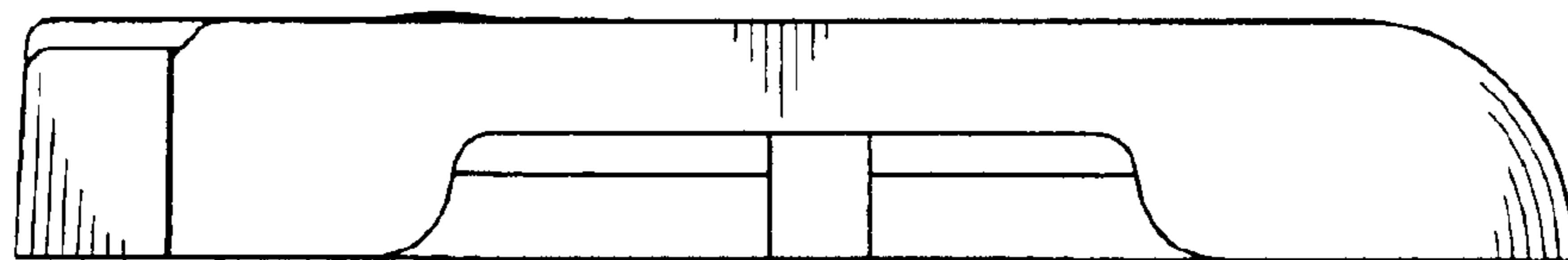


FIG. 7

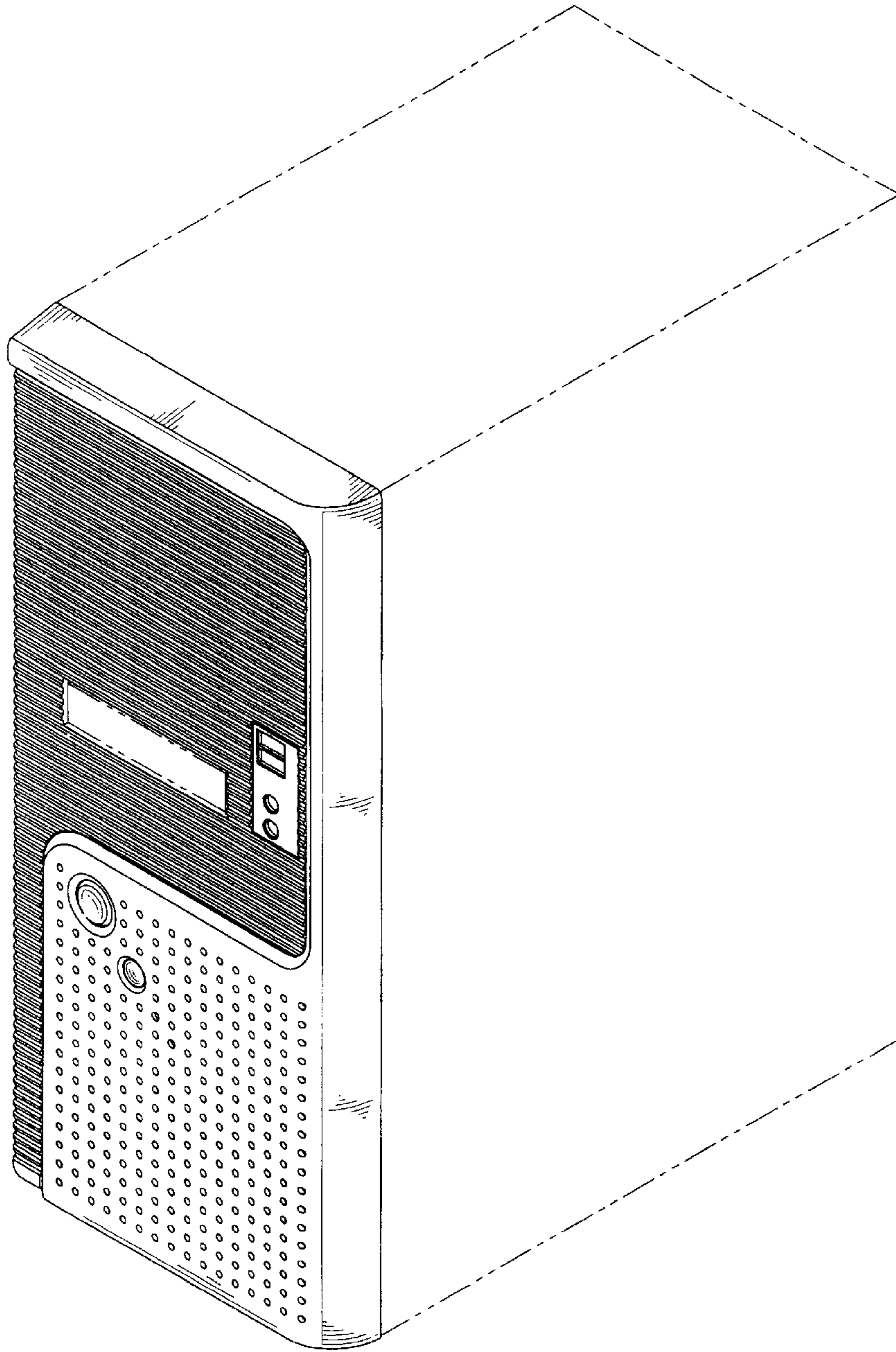


FIG. 8