



US00D539287S

(12) **United States Design Patent**
Wang et al.

(10) **Patent No.:** **US D539,287 S**
(45) **Date of Patent:** **** Mar. 27, 2007**

(54) **FRONT BEZEL FOR COMPUTER ENCLOSURE**
(75) Inventors: **Yu Wang**, Shenzhen (CN); **Chun-Chi Liang**, Tu-cheng (TW); **Jiing-Renn Yu**, Tu-cheng (TW)

(73) Assignee: **Hon Hai Precision Industry Co. Ltd.**, Taipei Hsien (TW)

(**) Term: **14 Years**

(21) Appl. No.: **29/245,260**

(22) Filed: **Dec. 20, 2005**

(30) **Foreign Application Priority Data**

Nov. 3, 2005 (CN) 2005 3 0075781

(51) **LOC (8) Cl.** **14-02**

(52) **U.S. Cl.** **D14/444**

(58) **Field of Classification Search** D14/441-446;
D13/162, 184, 199; 312/223.2; 360/99.01-99.12;
361/680-686, 690-696; 369/34.01, 36.01
See application file for complete search history.

(56) **References Cited**

U.S. PATENT DOCUMENTS

D425,044 S * 5/2000 Jean et al. D14/446

D459,357 S * 6/2002 Lo D14/444
D464,357 S * 10/2002 Chien et al. D14/444
D485,277 S * 1/2004 Huang D14/444
D512,067 S * 11/2005 Hu et al. D14/444
D512,070 S * 11/2005 He et al. D14/444

* cited by examiner

Primary Examiner—Freda S. Nunn

(74) *Attorney, Agent, or Firm*—Jeffrey T. Knapp

(57) **CLAIM**

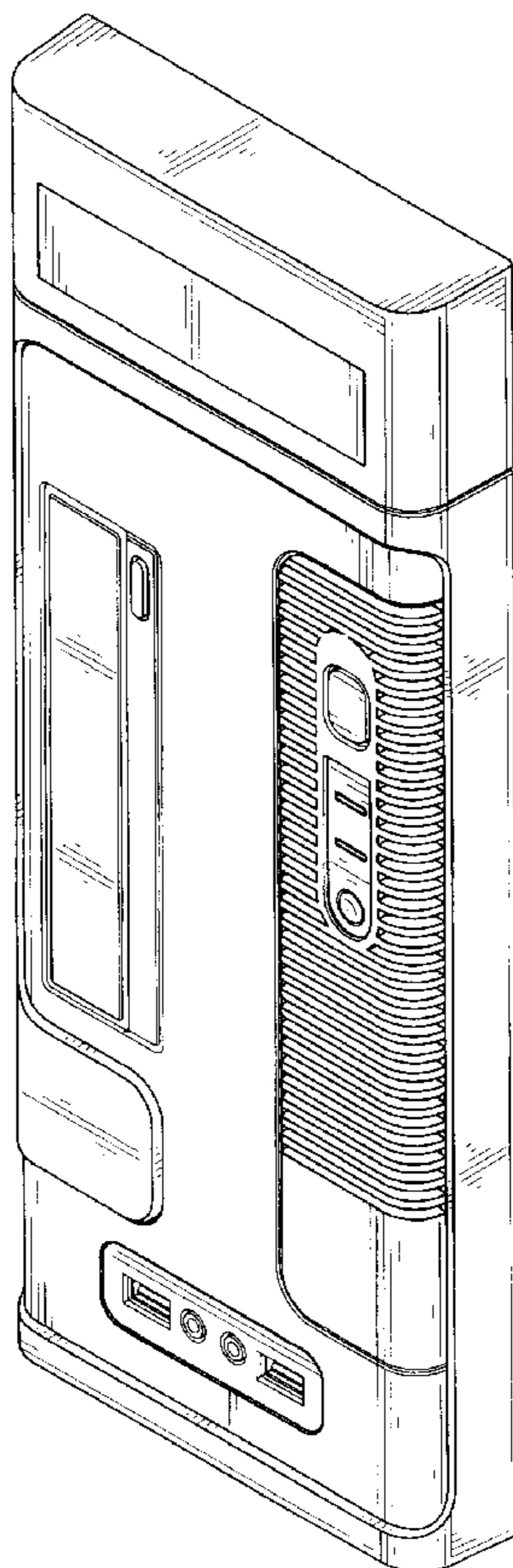
The ornamental design for a front bezel for computer enclosure, as shown and described.

DESCRIPTION

FIG. 1 is a perspective view of a front bezel for computer enclosure showing our new design;
FIG. 2 is a front elevational view thereof;
FIG. 3 is a rear elevational view thereof;
FIG. 4 is a left-side, elevational view thereof;
FIG. 5 is a right-side, elevational view thereof;
FIG. 6 is a top plan view thereof;
FIG. 7 is a bottom plan view thereof; and,
FIG. 8 is a perspective view thereof being mounted to a computer enclosure.

Broken lines are for illustrative purposes only and form no part of the claimed design.

1 Claim, 6 Drawing Sheets



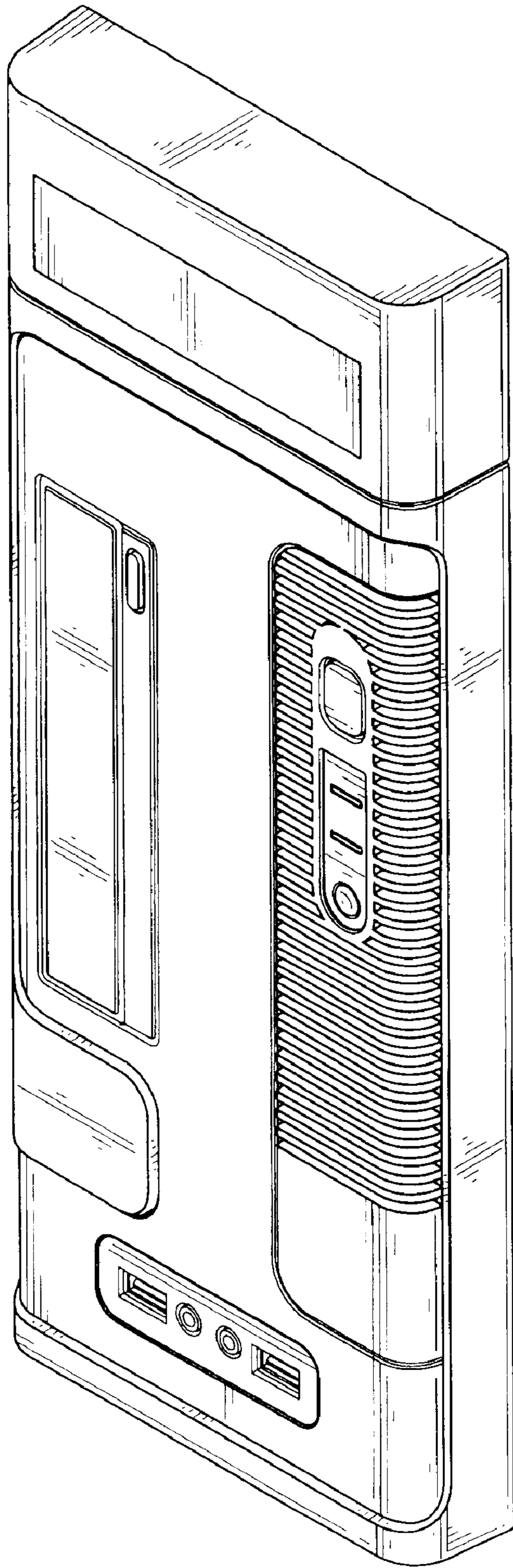


FIG. 1

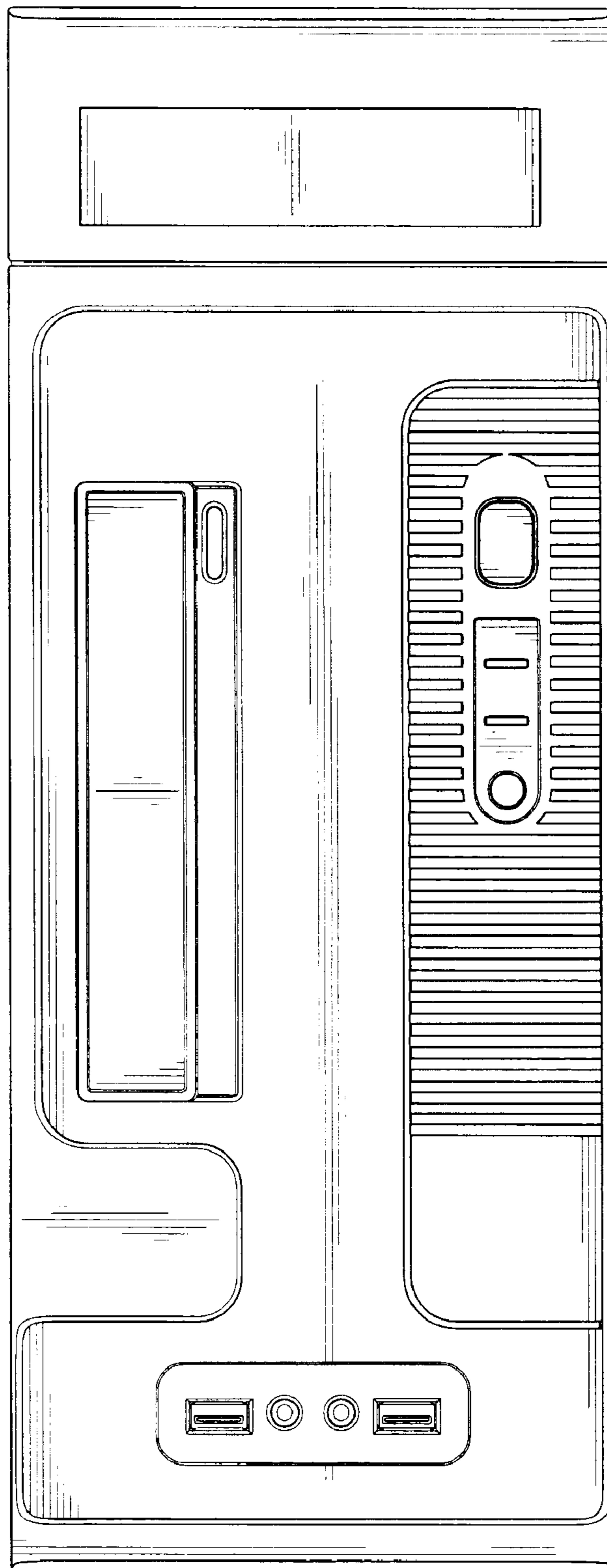


FIG. 2

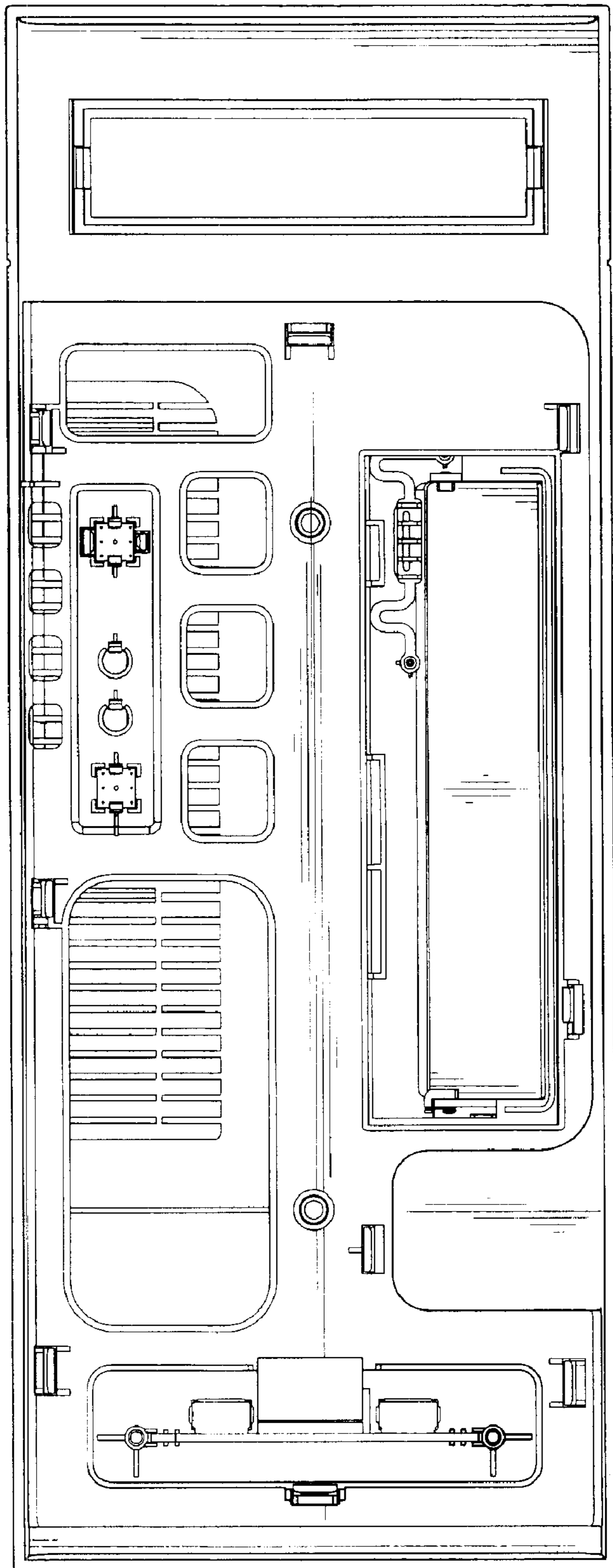


FIG. 3

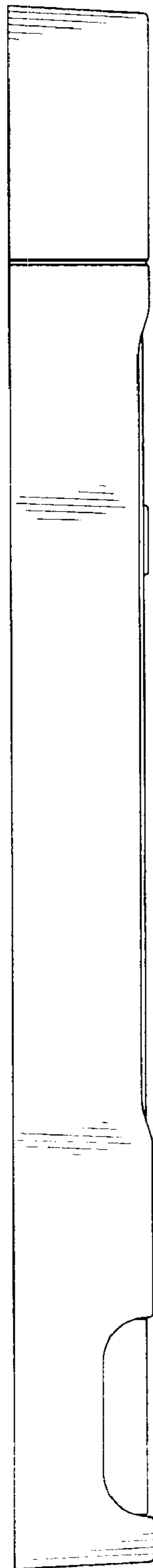


FIG. 4

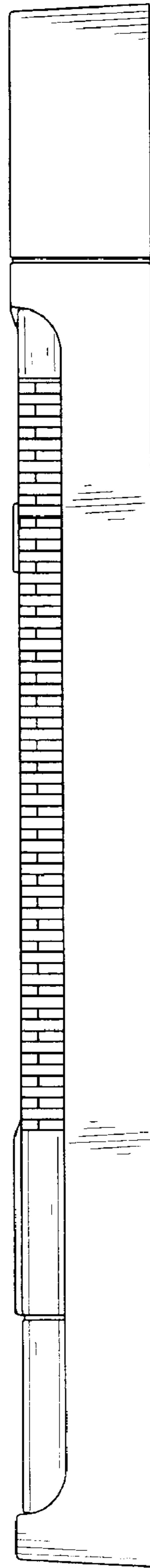


FIG. 5

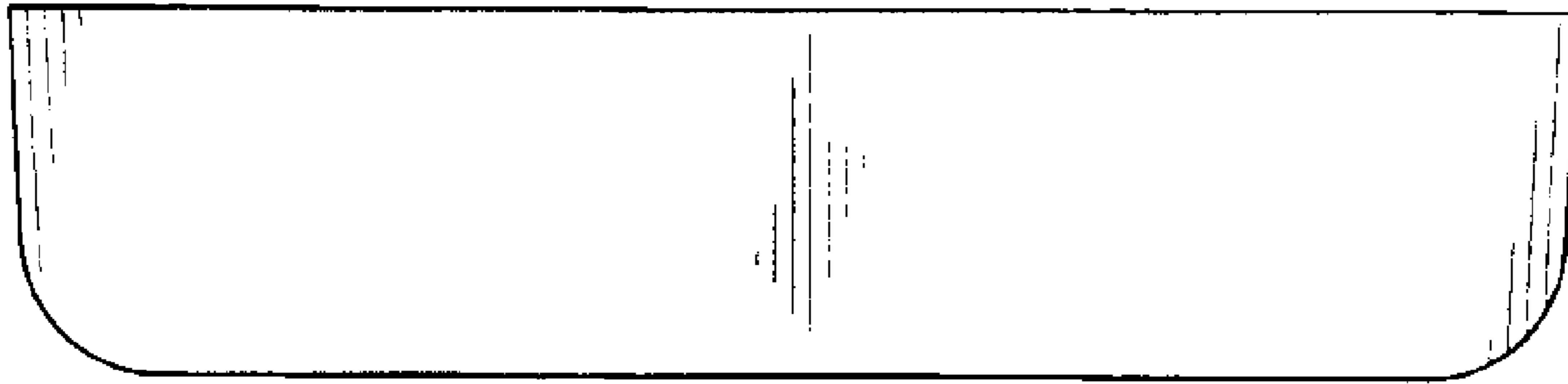


FIG. 6

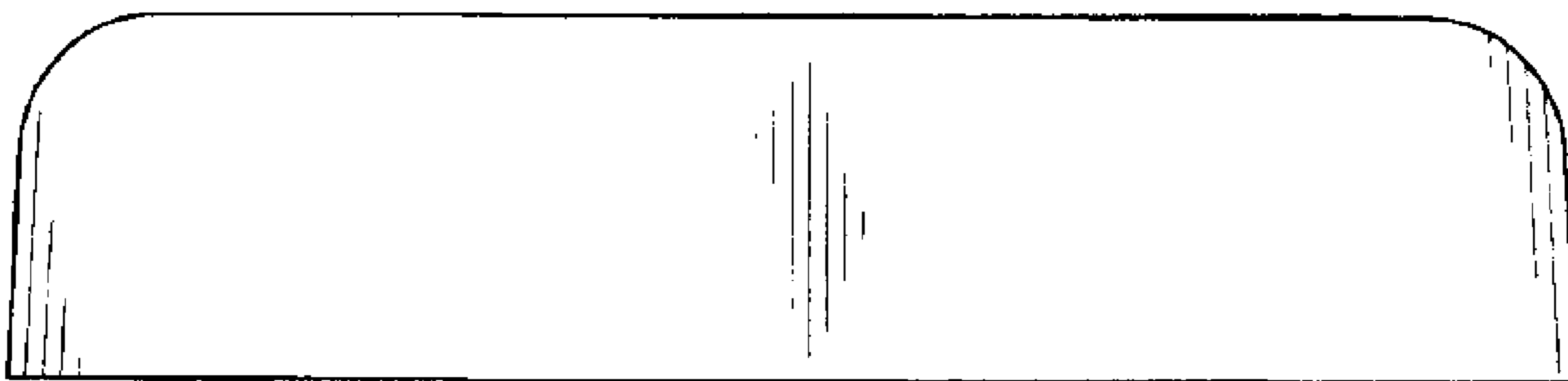


FIG. 7

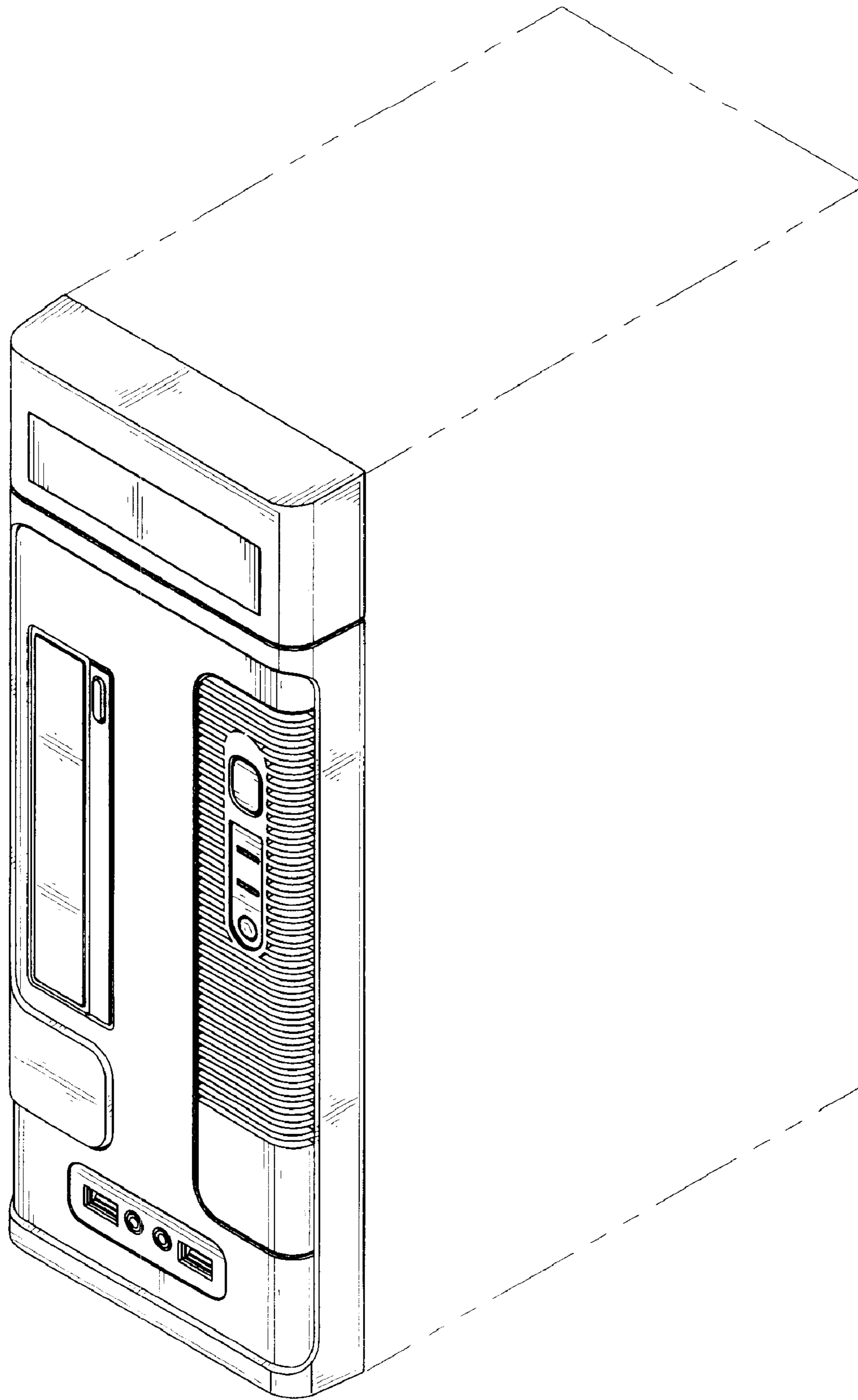


FIG. 8