



US00D539286S

(12) **United States Design Patent** (10) **Patent No.:** **US D539,286 S**
Phillips et al. (45) **Date of Patent:** **** Mar. 27, 2007**

(54) **EXTERNAL ENCLOSURE PORTION OF A REMOVABLE EXPANSION CARD**

(75) Inventors: **Peter Phillips**, Palo Alto, CA (US);
Paul Montgomery, Kentfield, CA (US)

(73) Assignee: **Socket Communications, Inc.**, Newark, CA (US)

(**) Term: **14 Years**

(21) Appl. No.: **29/229,875**

(22) Filed: **May 12, 2005**

(51) **LOC (8) Cl.** **14-02**

(52) **U.S. Cl.** **D14/435**

(58) **Field of Classification Search** D14/432-38,
D14/478, 242; D13/184, 123, 110; 361/725-27,
361/796-97, 801, 735, 737, 752, 679-86;
439/76.1, 131, 630-31, 607-10, 638, 640,
439/945-46, 327, 329, 55, 74-5, 377; 710/300-304,
710/2, 8; 235/380, 492, 486; 382/127, 124,
382/115; 356/71; 340/5.53; 283/99; 455/90;
348/207.1; 713/185-86; 365/185.33; 257/679
See application file for complete search history.

(56) **References Cited**

U.S. PATENT DOCUMENTS

D354,280 S	*	1/1995	Fenton	D14/242
D355,173 S	*	2/1995	Fenton et al.	D14/242
5,808,672 A	*	9/1998	Wakabayashi et al.	...	348/220.1
D413,879 S	*	9/1999	Wu	D14/436
D415,479 S	*	10/1999	Yang et al.	D14/436
D425,045 S	*	5/2000	Ting	D14/438
6,118,485 A	*	9/2000	Hinoue et al.	348/373

(Continued)

Primary Examiner—M. H. Tung

Assistant Examiner—Susan Moon Lee

(74) *Attorney, Agent, or Firm*—PatentVentures; Bennett Smith; Korbin Van Dyke

(57) **CLAIM**

The ornamental design for an external enclosure portion of a removable expansion card, as shown and described.

DESCRIPTION

FIG. 1 is a front perspective view of a first embodiment of an external enclosure portion of a removable expansion card, according to our new design shown on an enlarged scale;

FIG. 2 is a right side view thereof;

FIG. 3 is a rear view thereof;

FIG. 4 is a bottom view thereof;

FIG. 5 is a left view thereof;

FIG. 6 is a top view thereof;

FIG. 7 is a front view thereof;

FIG. 8 is a front perspective view of a second embodiment of an external enclosure portion of a removable expansion card according to our new design shown on an enlarged scale;

FIG. 9 is a right side view thereof;

FIG. 10 is a rear view thereof;

FIG. 11 is a bottom view thereof;

FIG. 12 is a left view thereof;

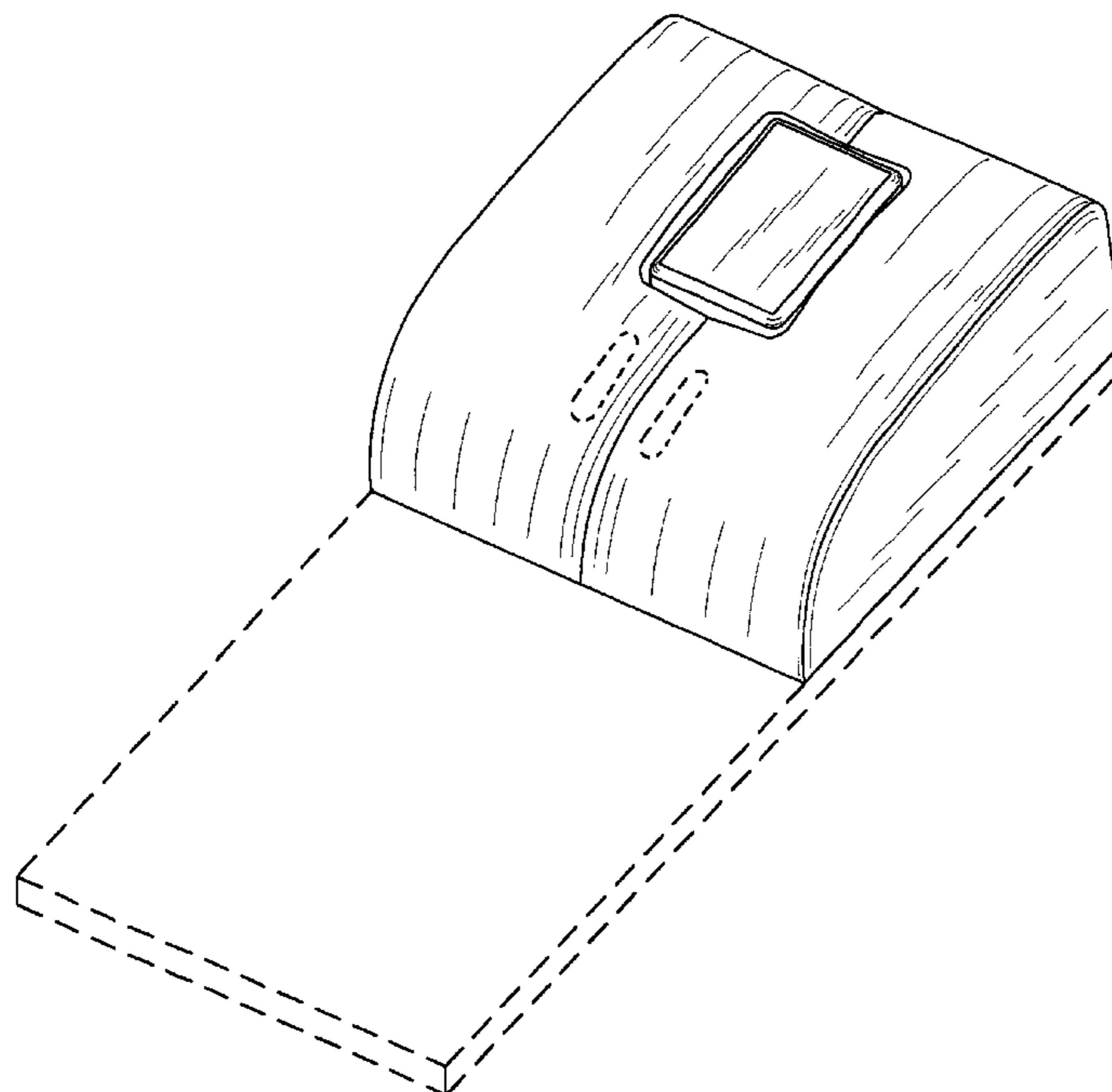
FIG. 13 is a top view thereof; and,

FIG. 14 is a front view thereof.

The broken line portions in the drawings are for illustrative purposes only and form no part of the claimed design.

The broken line showing of environment is for illustrative purposes only and forms no part of the claimed design.

1 Claim, 4 Drawing Sheets



US D539,286 S

Page 2

U.S. PATENT DOCUMENTS

D432,540 S	*	10/2000	Laity et al.	D14/436	D464,657 S	*	10/2002	Goto	D14/433
D434,417 S	*	11/2000	Lin	D14/435	6,525,767 B2	*	2/2003	Saito et al.	348/231.7
6,163,344 A	*	12/2000	Kawamura et al.	348/552	D478,087 S	*	8/2003	Aldridge	D14/433
D437,314 S	*	2/2001	DeLeon	D14/242	D482,693 S	*	11/2003	Nishio et al.	D14/433
6,183,308 B1	*	2/2001	Laity	439/676	D484,136 S	*	12/2003	Ivan et al.	D14/433
6,292,272 B1	*	9/2001	Okauchi et al.	358/471	2002/0146157 A1	*	10/2002	Goodman et al.	382/127
D450,708 S	*	11/2001	Hsu	D14/435	2003/0037152 A1	*	2/2003	Liu et al.	709/230
D452,863 S	*	1/2002	Madsen et al.	D14/433	2003/0063196 A1	*	4/2003	Palatov et al.	348/211.2
D453,515 S	*	2/2002	Brewer et al.	D14/436	2003/0161115 A1	*	8/2003	Kadonaga	361/737
6,357,663 B1	*	3/2002	Takahashi et al.	235/486	2003/0163623 A1	*	8/2003	Yeung	710/300
D460,453 S	*	7/2002	Homma et al.	D14/435	2004/0056956 A1	*	3/2004	Gardiner et al.	348/207.1
D461,476 S	*	8/2002	Evers et al.	D14/433					

* cited by examiner

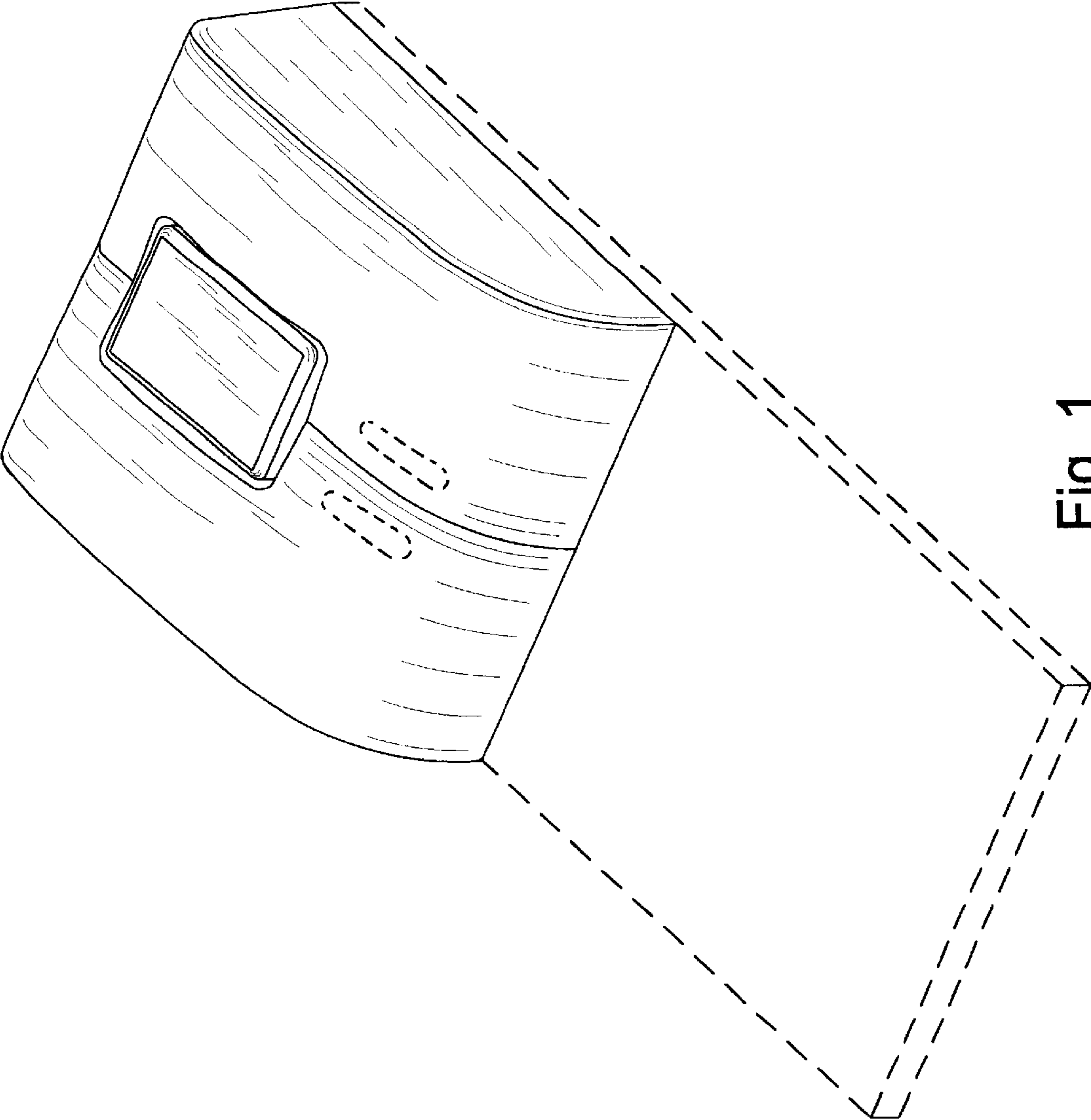


Fig. 1

Fig. 3

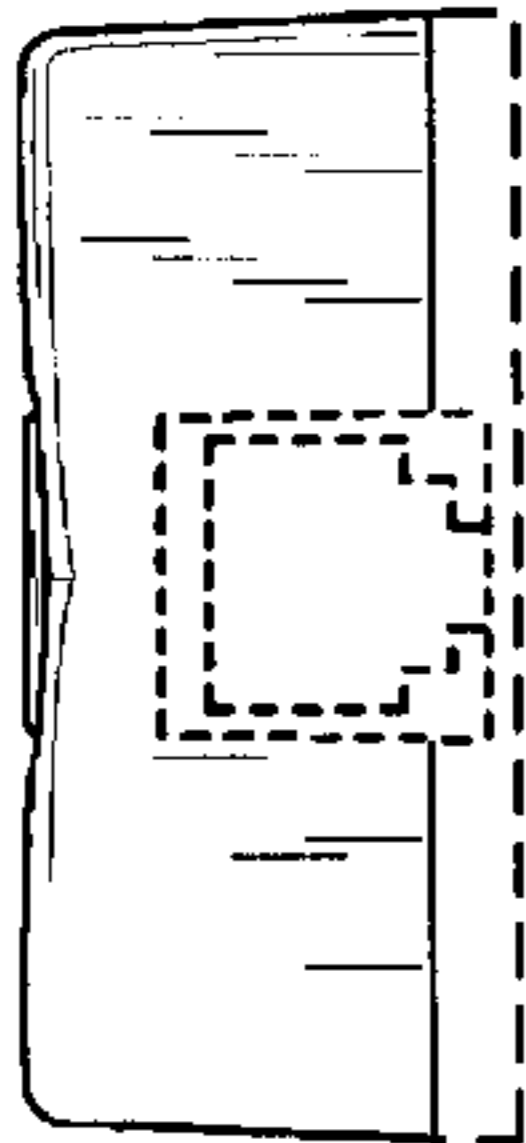


Fig. 2

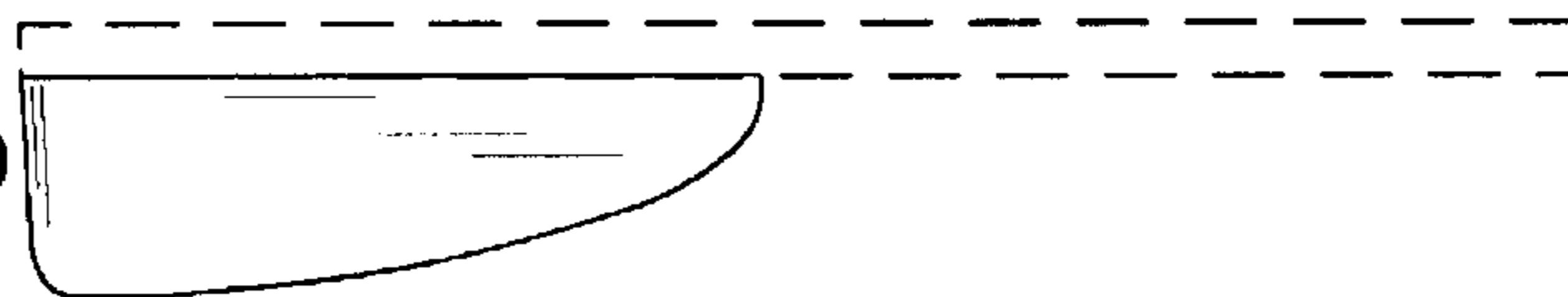


Fig. 4



Fig. 5

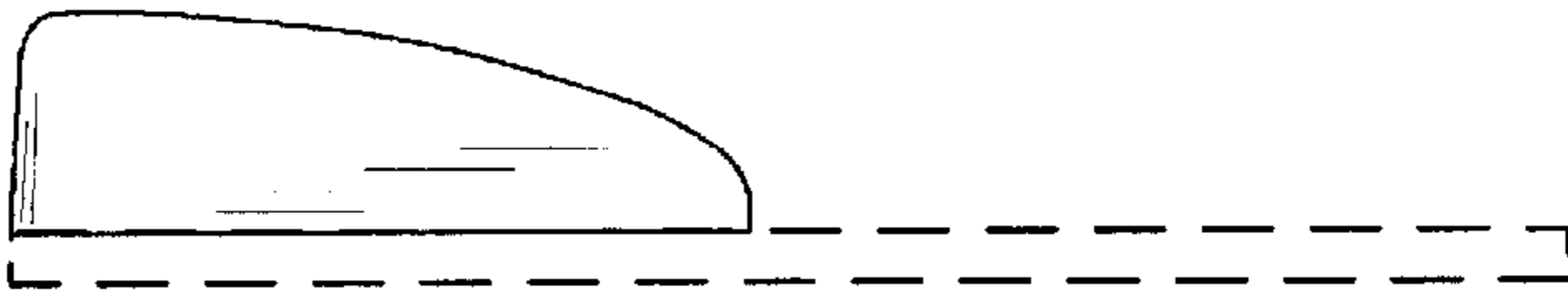


Fig. 6

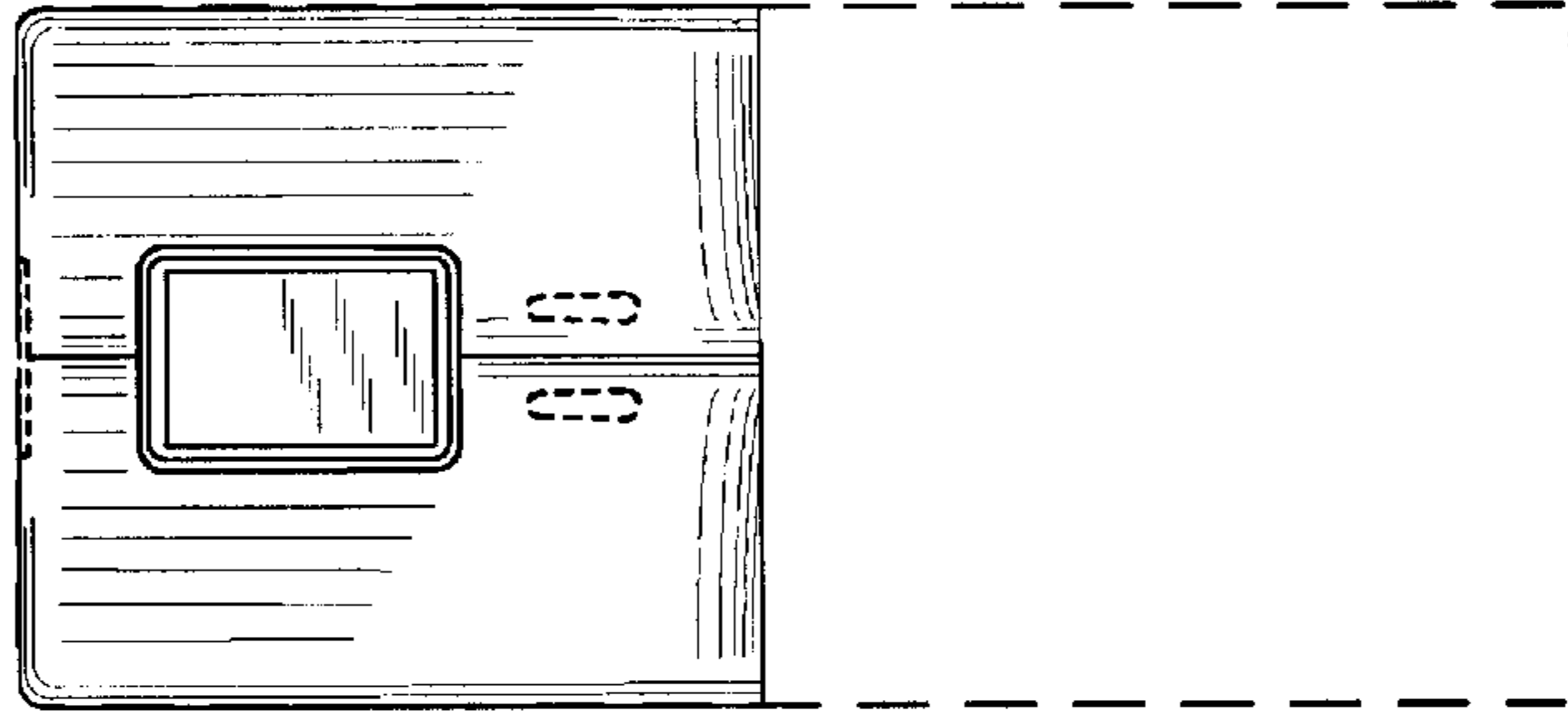
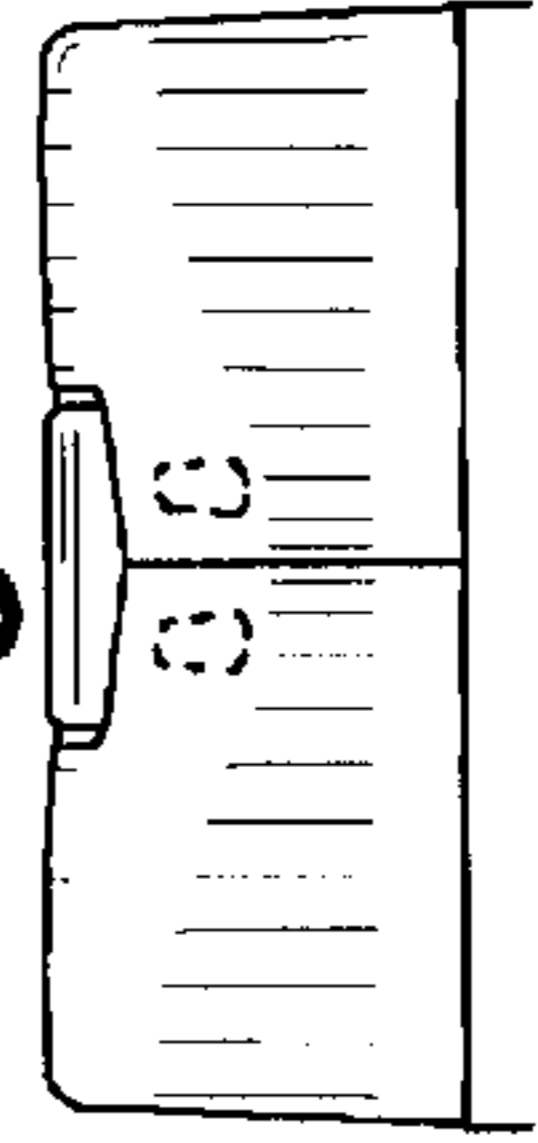


Fig. 7



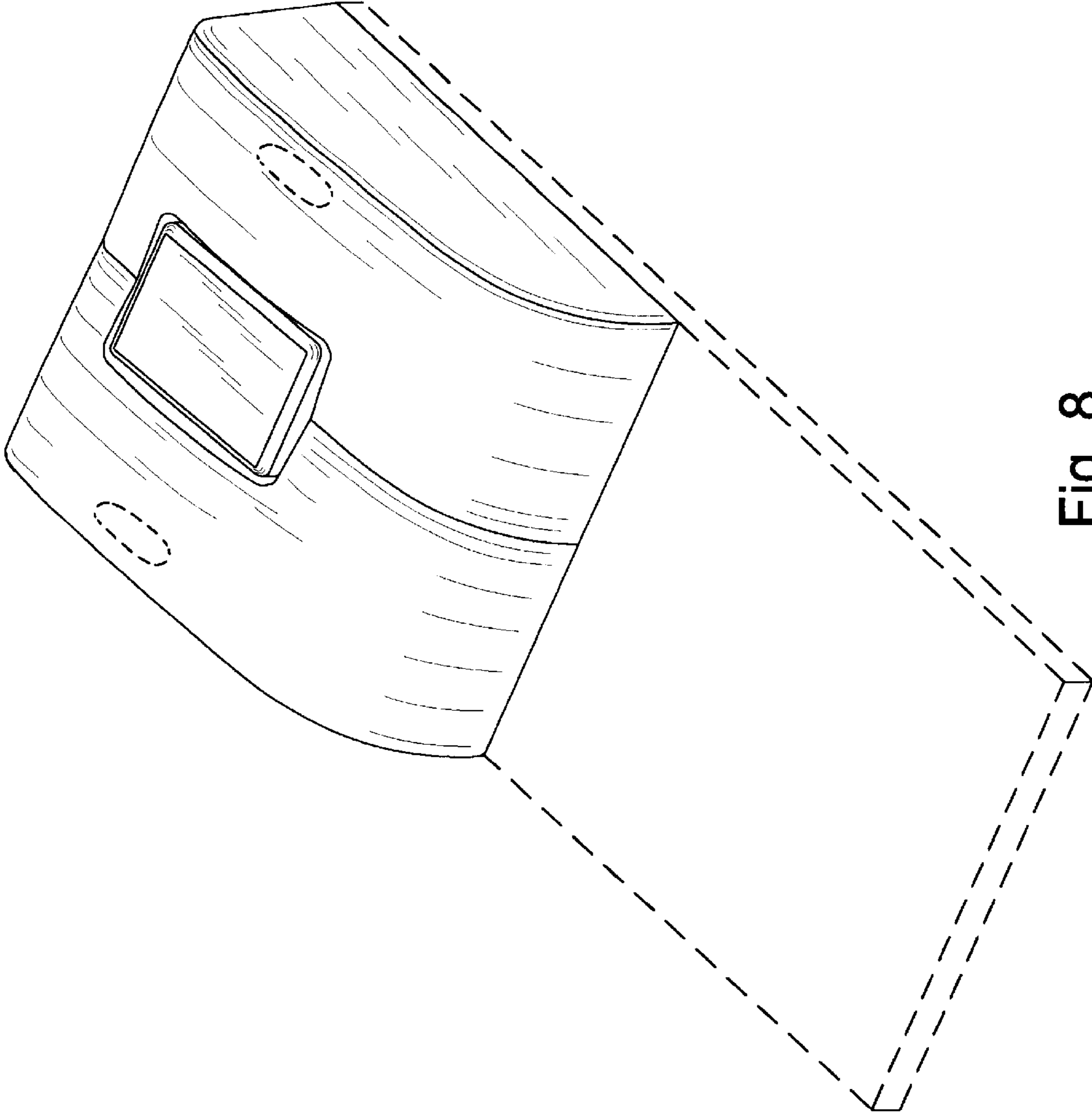


Fig. 8

Fig. 10

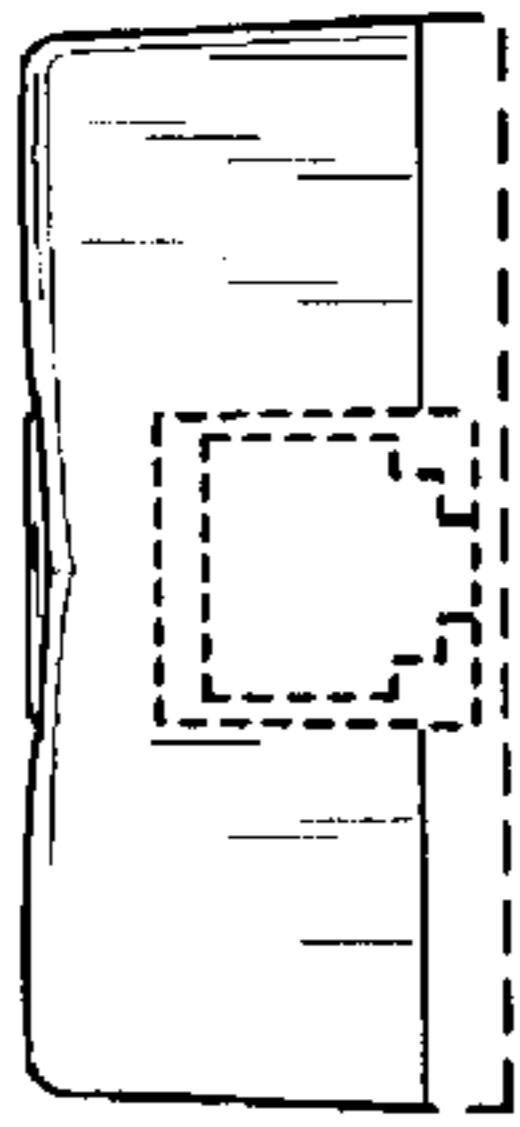


Fig. 11



Fig. 12



Fig. 9

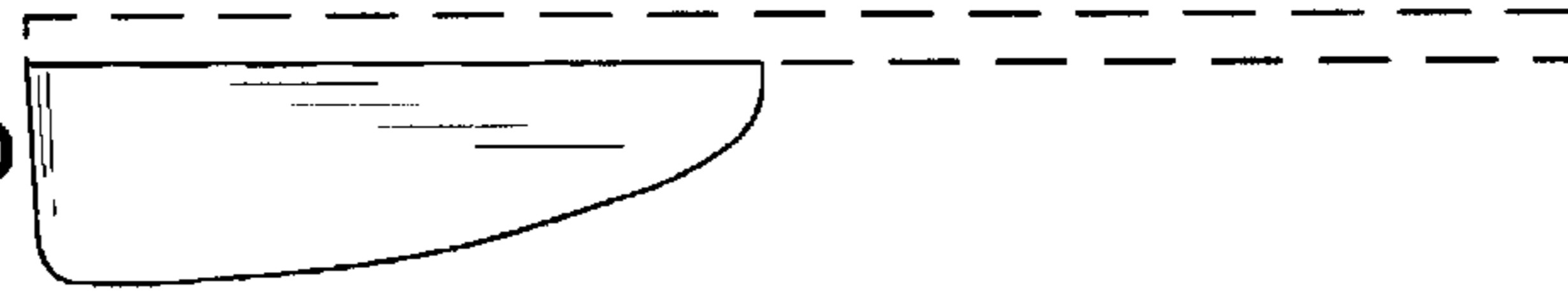


Fig. 13

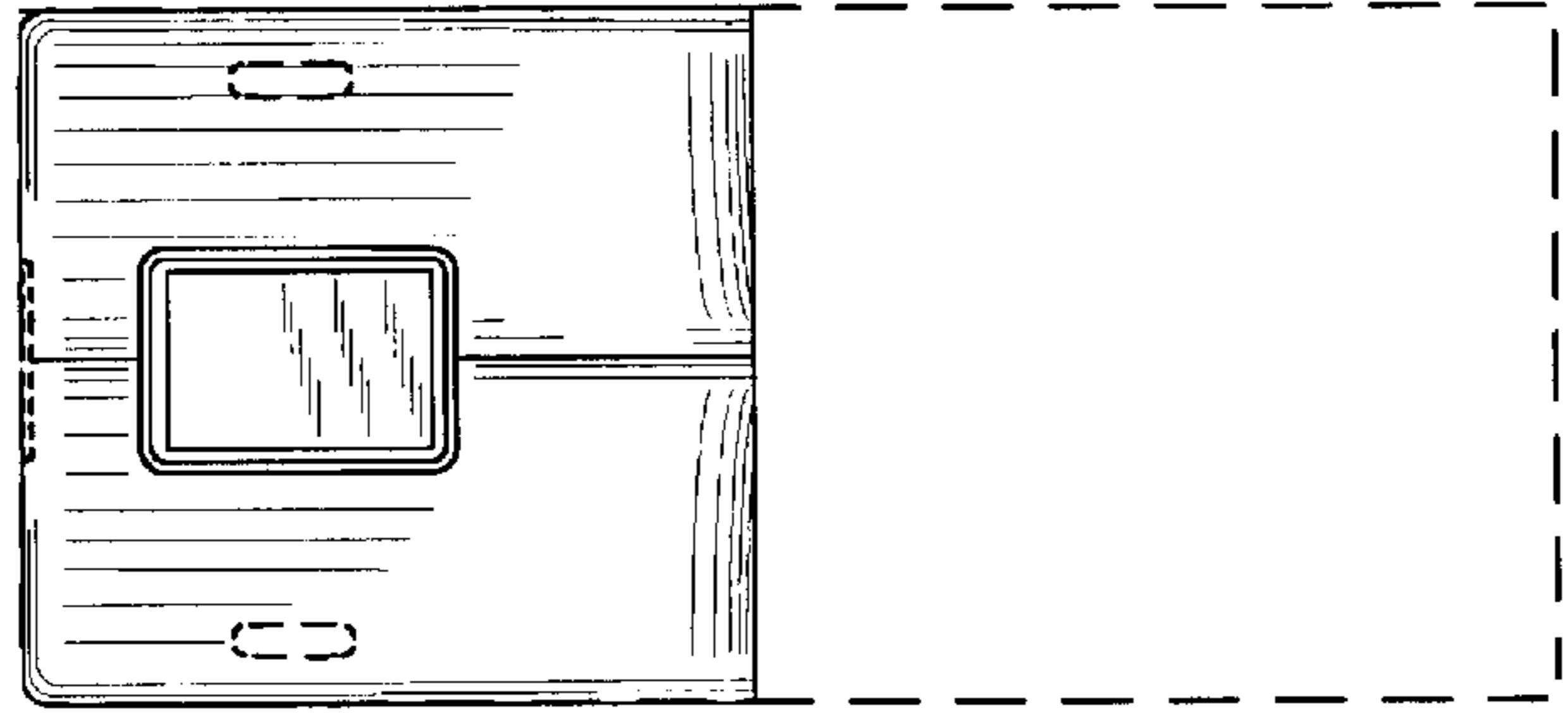


Fig. 14

