



US00D539285S

(12) **United States Design Patent**
Landau

(10) **Patent No.:** **US D539,285 S**
(45) **Date of Patent:** **** Mar. 27, 2007**

(54) **CAN-SHAPED COMPUTER MEMORY DEVICE**

(76) Inventor: **Steven Landau**, 2 Keswick Dr., Voorhees, NJ (US) 06043

(**) Term: **14 Years**

(21) Appl. No.: **29/228,720**

(22) Filed: **Apr. 27, 2005**

(51) **LOC (8) Cl.** **14-02**

(52) **U.S. Cl.** **D14/435**

(58) **Field of Classification Search** D14/356, D14/242, 433-436; 360/97.01; 361/685, 361/686, 752, 737; 439/135, 144, 139-141, 439/147, 136, 638, 518; 365/51, 63, 131; 710/52, 300; D9/772, 908, 600, 503, 504, D9/518, 780, 903; D26/26; 220/906, 907, 220/669-670, 673-74; 206/19, 217, 457; D34/4, 7; D7/619.2, 606; D99/37; 340/815.69, 340/384.72; 215/227, 6; 40/306

See application file for complete search history.

(56) **References Cited**

U.S. PATENT DOCUMENTS

3,131,809	A	*	5/1964	Rudes	206/457
D263,024	S	*	2/1982	Atkinson et al.	D9/780
4,559,729	A	*	12/1985	White	40/306
D310,025	S	*	8/1990	Foley	D9/772
5,056,681	A	*	10/1991	Howes	220/522
5,108,003	A	*	4/1992	Granofsky	220/257.2
5,283,567	A	*	2/1994	Howes	340/815.69
D347,973	S	*	6/1994	McBride	D7/619.2
D371,075	S	*	6/1996	Stonehouse	D9/772
D396,916	S	*	8/1998	Ochs, Sr.	D34/4

(Continued)

OTHER PUBLICATIONS

“TikiMac offers Devil Duckie Flash Drive,” <http://www.macminute.com/2004/03/03/04/devilduckie>; 1 page, Mar. 4, 2004.

Press Releas, http://216.239.39.104/translate_c?hl=en&u=http://www.solidalliance.com/press/press.html%23090102; 8 pages; various dates in 2004; printed from Internet Mar. 29, 2005.

(Continued)

Primary Examiner—M. H. Tung

Assistant Examiner—Susan Moon Lee

(57) **CLAIM**

The ornamental design for a can-shaped computer memory device, as shown and described.

DESCRIPTION

FIG. 1 is a three dimensional exploded view of a can-shaped computer memory device in accordance with the present invention;

FIG. 2 is a front exploded view thereof;

FIG. 3 is a rear exploded view thereof;

FIG. 4 is a side exploded view thereof;

FIG. 5 is a top plan view thereof;

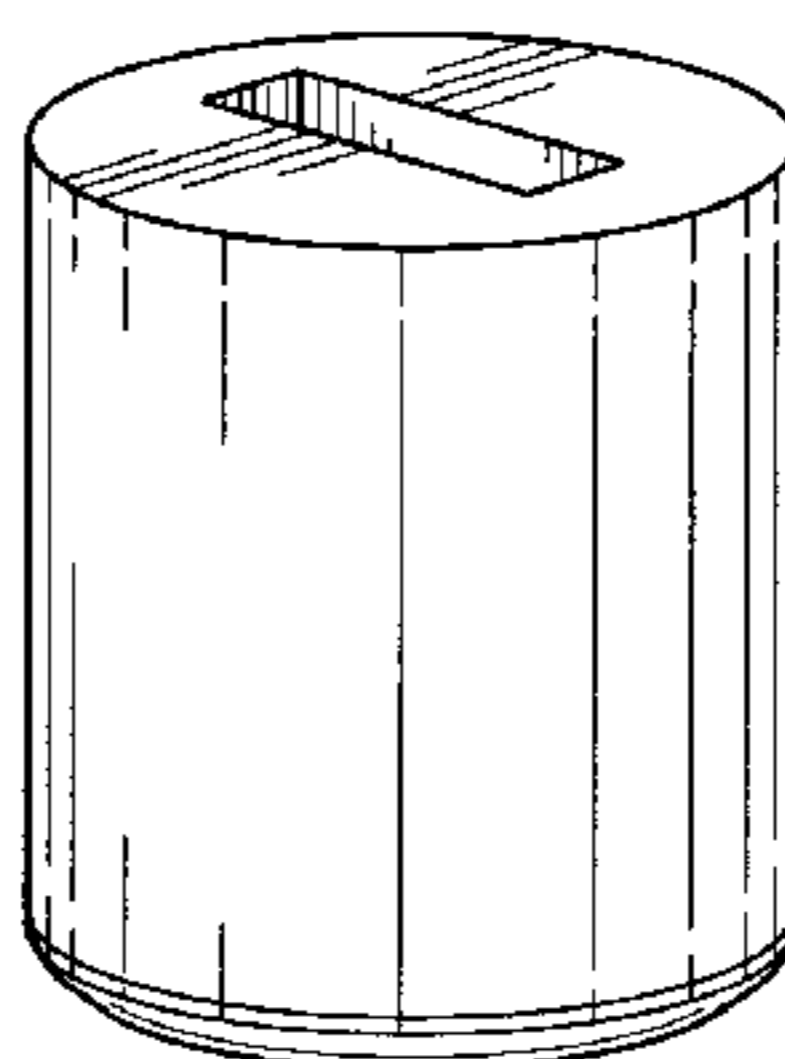
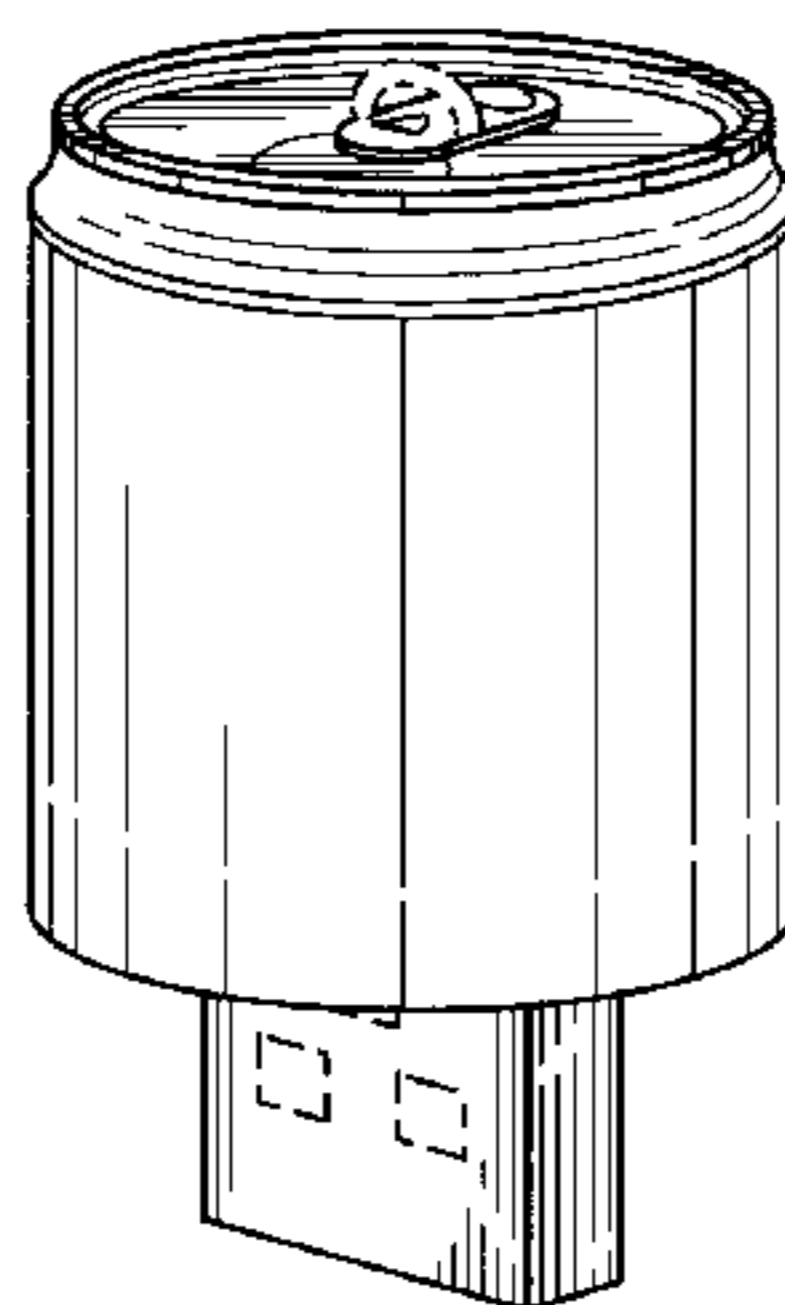
FIG. 6 is a bottom plan view thereof;

FIG. 7 is a front assembled view thereof;

FIG. 8 is a three dimensional view thereof wherein the top portion is shown separately to show the engagement to a laptop computer; and,

FIG. 9 is a three dimensional exploded view of a second embodiment of the can-shaped computer memory device. The front, rear, side, top, bottom and front assembled views are identical to FIGS. 2-7 respectively.

1 Claim, 7 Drawing Sheets



U.S. PATENT DOCUMENTS

D408,378	S	4/1999	Tyler et al.	
D408,803	S	4/1999	Tyler et al.	
5,992,892	A *	11/1999	Schaefer et al. 283/81
D429,728	S	8/2000	Hays	
D430,569	S	9/2000	Hays	
D449,615	S	10/2001	Lloyd	
D456,813	S	5/2002	Hays	
D462,500	S *	9/2002	Perkitny et al. D99/37
D470,992	S *	2/2003	Perkitny et al. D99/37
6,522,534	B1 *	2/2003	Wu 361/686
6,522,552	B1	2/2003	Lee	
6,648,224	B2	11/2003	Lee	
6,654,841	B2	11/2003	Lin	
6,733,329	B2	5/2004	Yang	
6,744,634	B2	6/2004	Yen	
D497,616	S	10/2004	Ma et al.	
6,813,164	B2	11/2004	Yen	
6,848,045	B2	1/2005	Long et al.	
D502,216	S	2/2005	Chen	
2004/0103064	A1	5/2004	Howard et al.	

OTHER PUBLICATIONS

Press Release, "SushiDisk" Dec. 14, 2004; http://216.239.39.104/translate_c?hl=en&u=http://www.sol-idalliance.com/press/press.html%23090102, 2 pp., Mar. 29, 2005.
 "Pez Memory Stick;" <http://crap.mousetoy.com/pez.html>; pp. 1-4, printed from Internet Mar. 29, 2005.

http://www.akhabarnews.com/news_pics/9347/3.jpg; printed from Internet Mar. 29, 2005.
 "Custom Shape USB Flash Drive With Pop Up Function," 2 pp., publication available prior to Feb. of 2005, source unknown.
[b3ta.com](http://www.b3ta.com); <http://www.b3ta.com/board/4577623;5/11/2005>; pp. 1-2, May 1, 2005.
 Kelly, Gordon, "TrustedReviews -SanDisk Readies Products For UK Market and Hypes Up TransFlash," Feb. 2, 2005, 3 pp., printed from Internet Jun. 7, 2005.
 Har-Even, Benny, "TrustedReviews -SanDisk Offers SD Card With Intregrated USB 2.0," Jan. 24, 2005, 3 pp., printed from Internet May 27, 2005.
 "USBLLine -The ultimate Source For Your High-Tech Promotional Needs", Our USB Flash Drive Products, http://www.usbline.com/usbfd_cat.htm, 4 pp., printed from Internet, Dec. 7, 2005.
 ISO/IEC JTC 1/SC 17 N -Date: Dec. 15, 2003; "Identification Cards -Intregrated Circuits Cards -Part 12: Cards with contacts: USB Electrical Interface and Operating Proedures"; Std Version 2.1; 201 ISO/IEC 2003 -All rights reserved; 61 pages.
 Nathan, et al.; Universal Serial Bus; Device Class Specification for "USB Chip/Smart Card Interface Devices"; Revision 1.00; Mar. 20, 2001; 135 pages.

* cited by examiner

FIG. 1

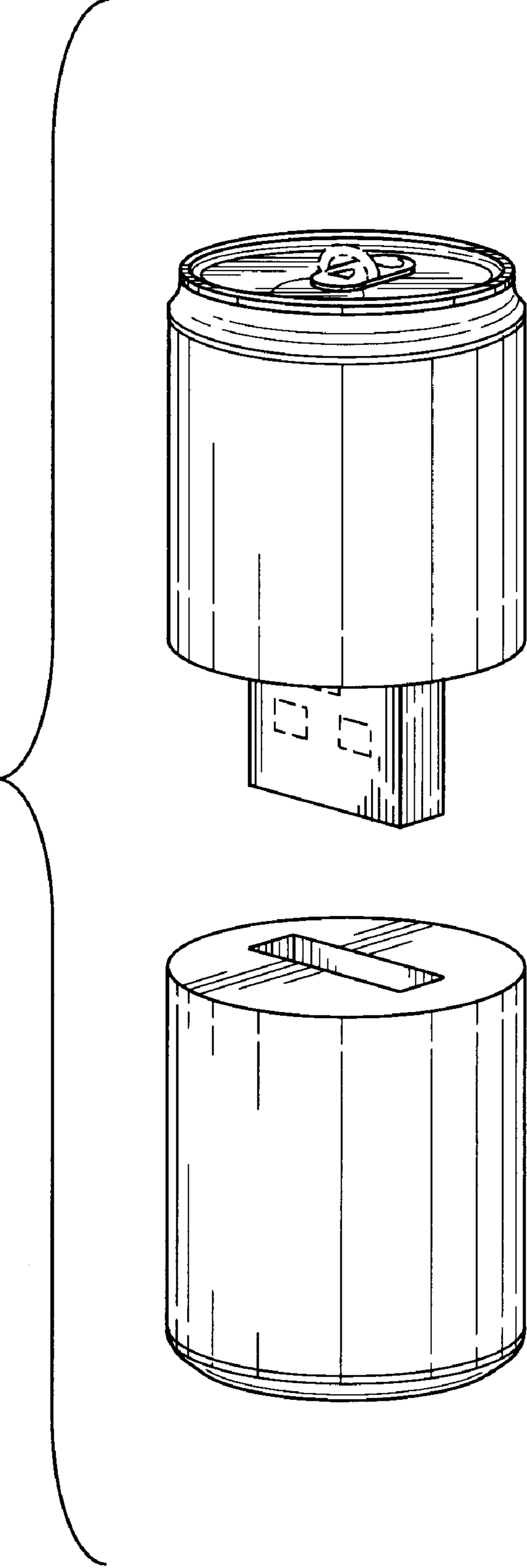


FIG. 2

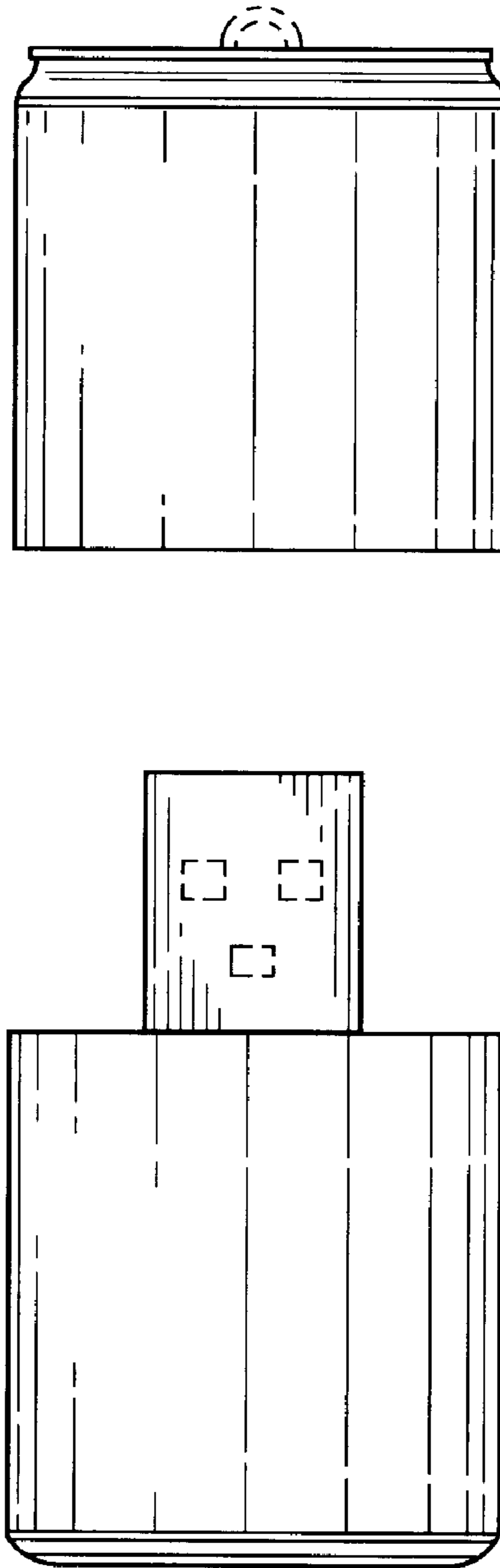


FIG. 3

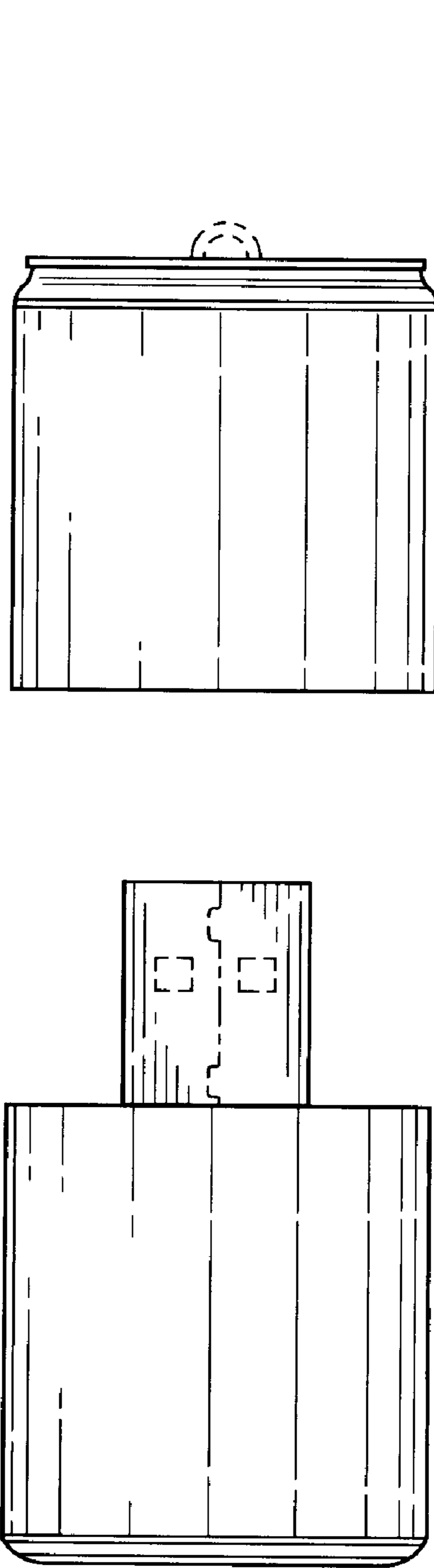


FIG. 4

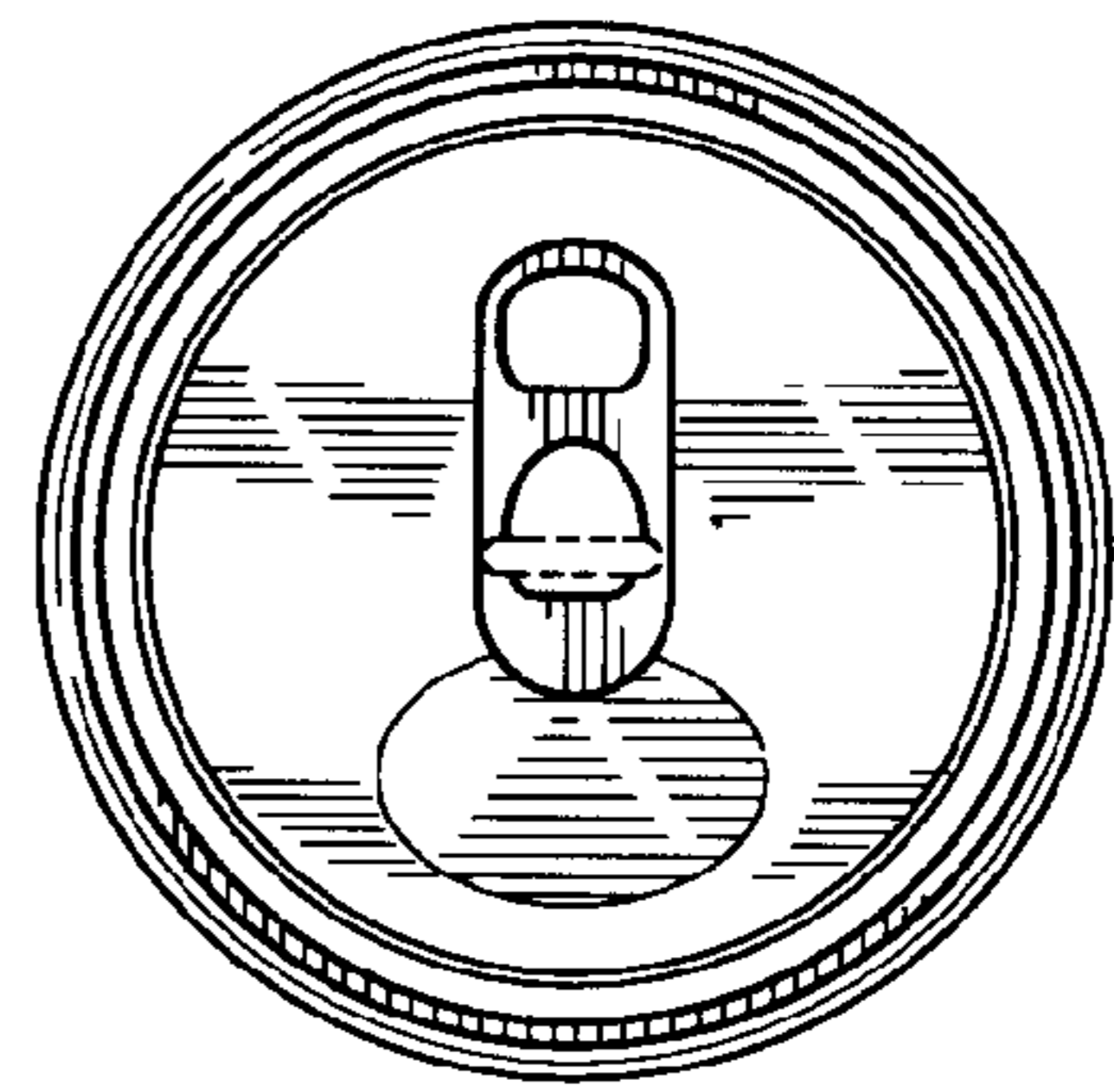
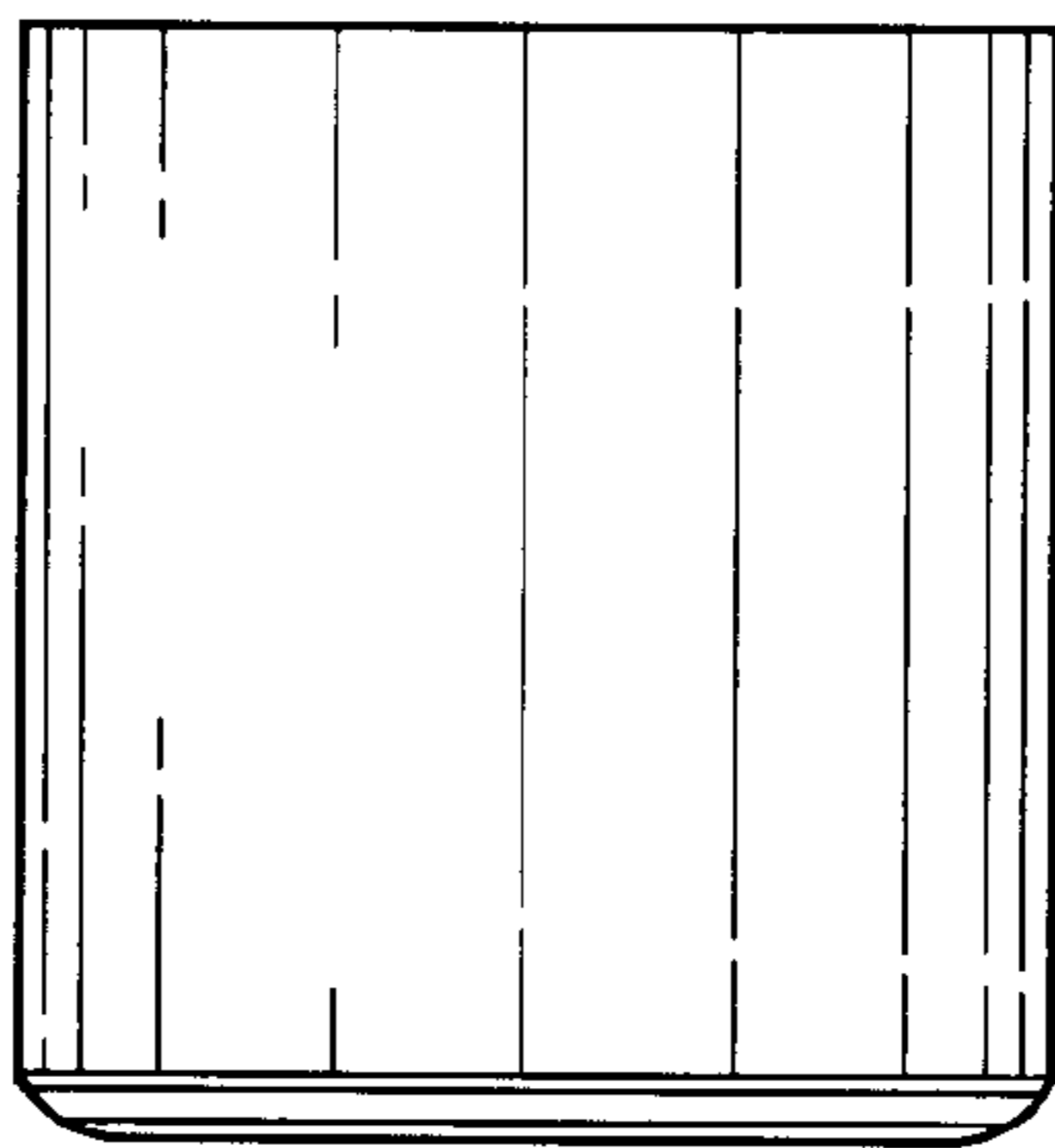
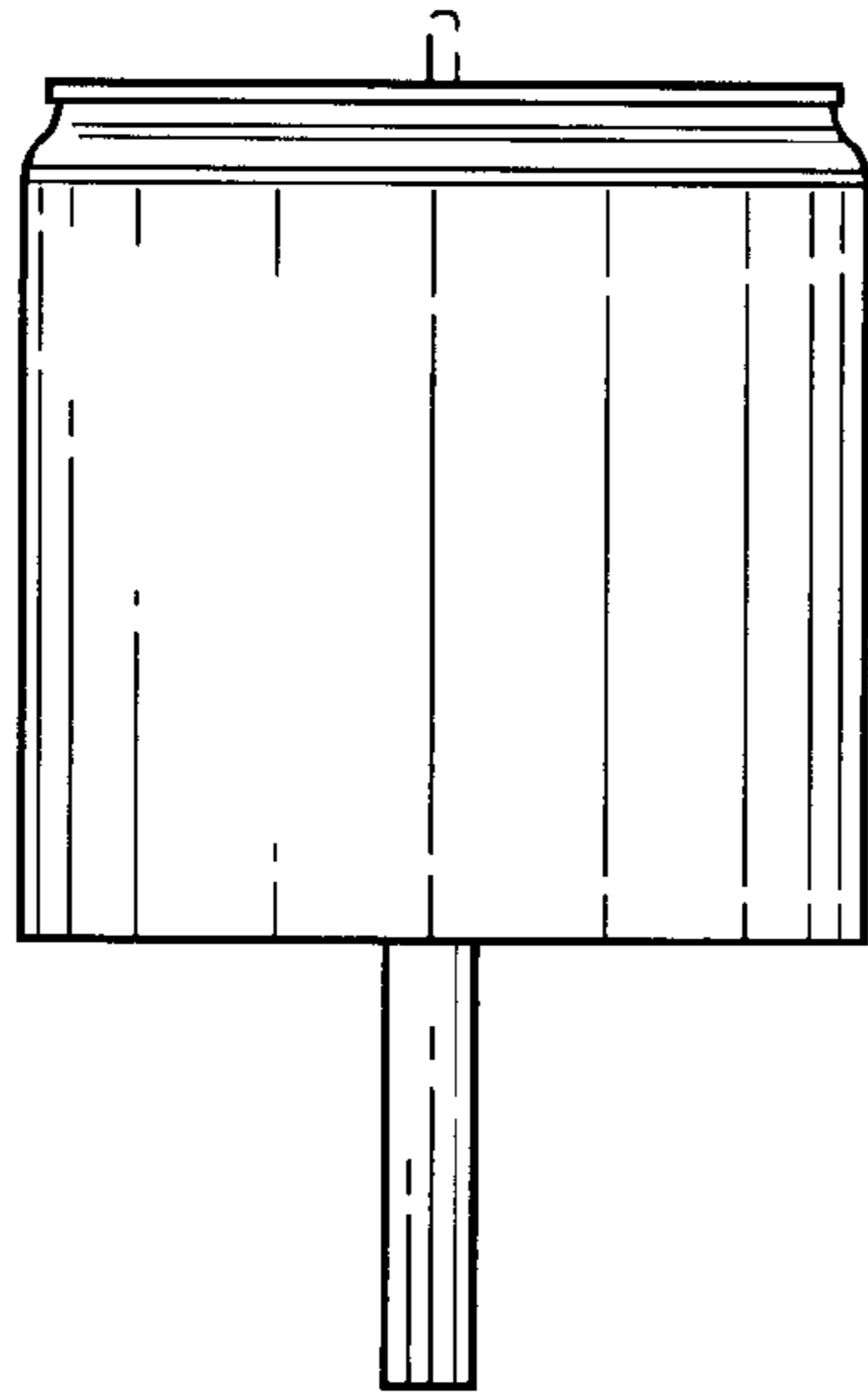


FIG. 5

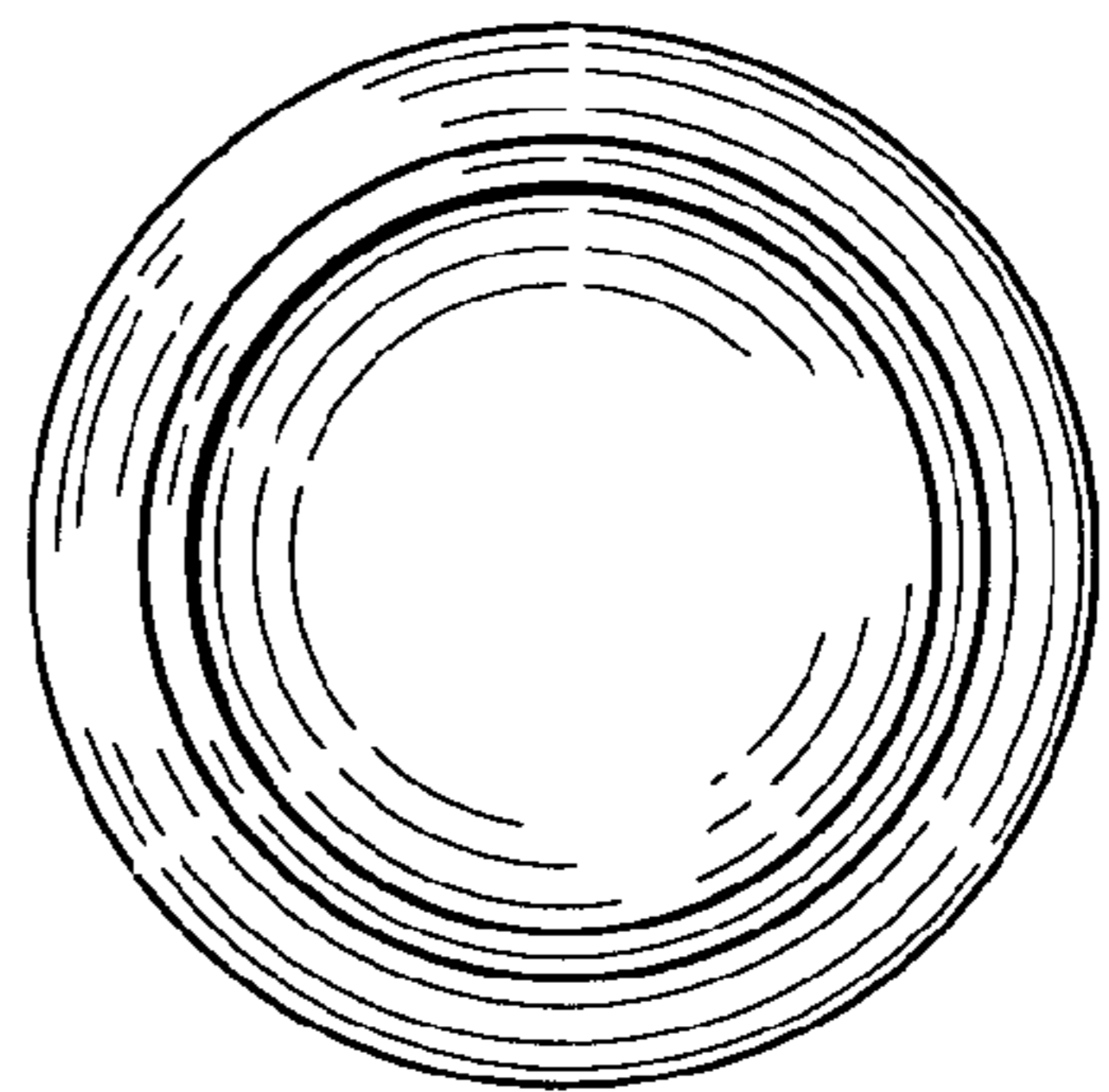


FIG. 6

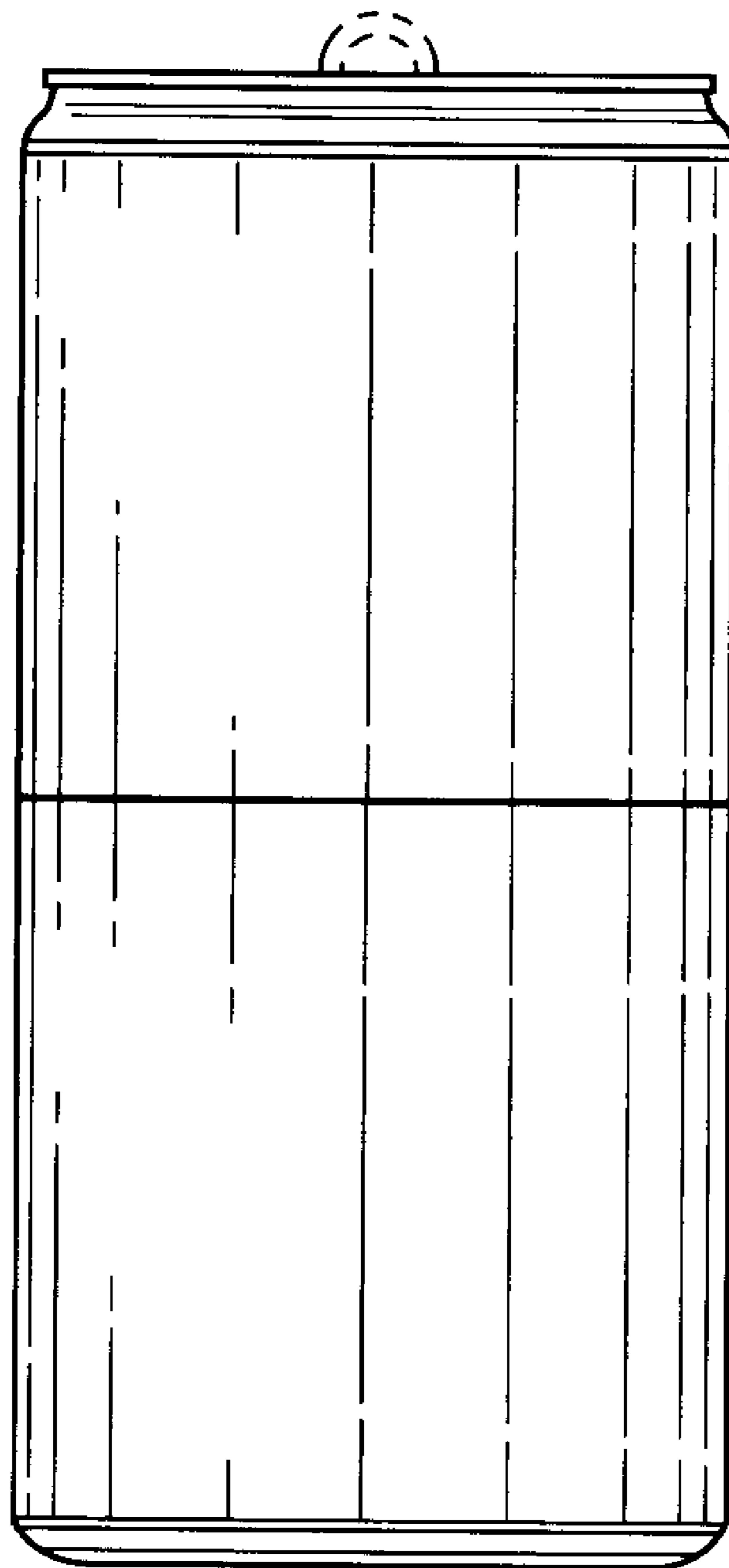


FIG. 7

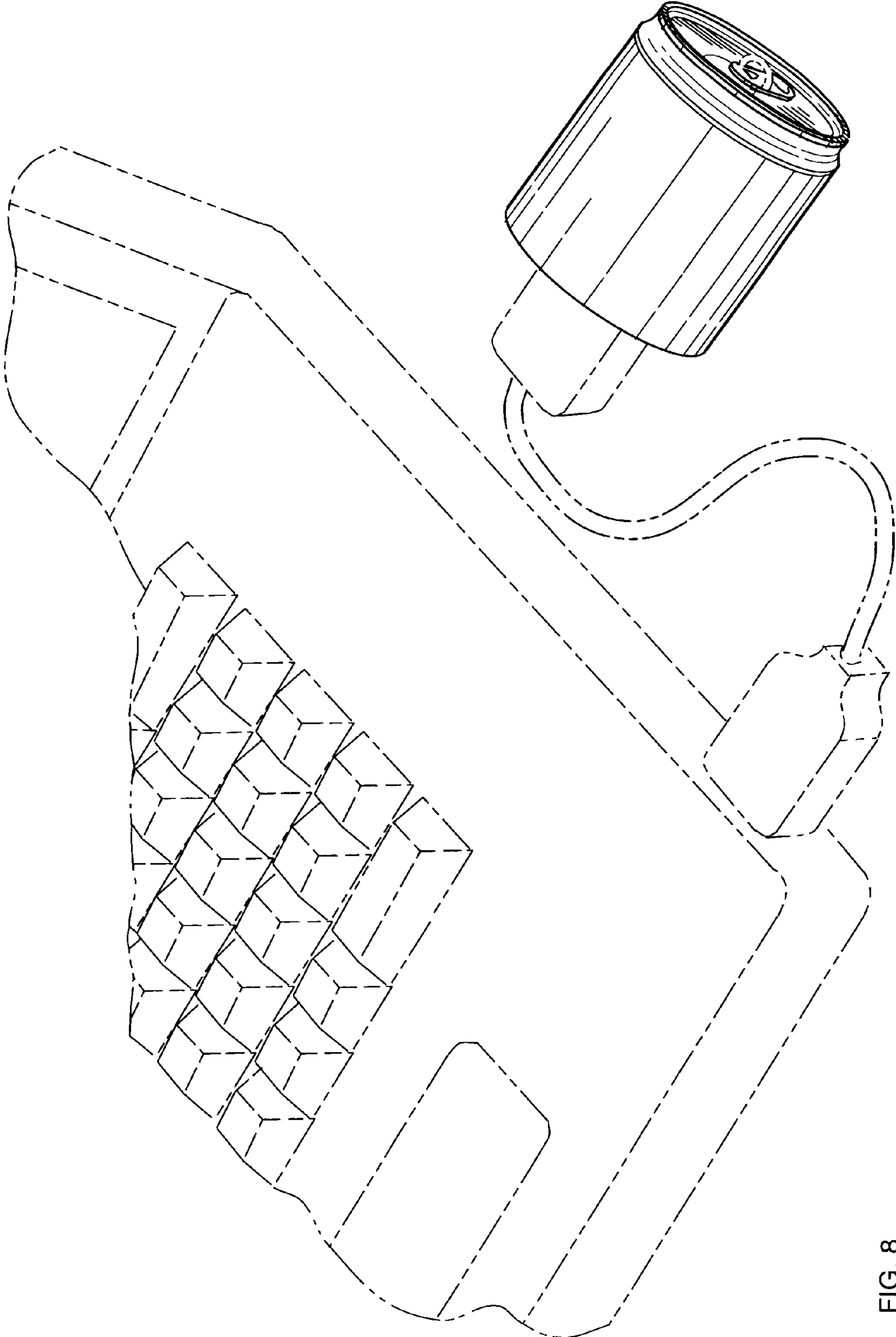


FIG. 8

FIG. 9

