



US00D539283S

(12) **United States Design Patent**
McIntyre

(10) **Patent No.:** **US D539,283 S**
(45) **Date of Patent:** **** Mar. 27, 2007**

(54) **PERSONAL COMPUTER COMBINED WITH
A MULTIFUNCTION PRINTER**

(75) Inventor: **C. Kevin McIntyre**, Boise, ID (US)

(73) Assignee: **Hwlett-Packard Development
Company, L.P.**, Houston, TX (US)

(**) Term: **14 Years**

(21) Appl. No.: **29/234,560**

(22) Filed: **Jul. 20, 2005**

(51) **LOC (8) Cl.** **14-02**

(52) **U.S. Cl.** **D14/425; D18/36; D18/55;**
D14/421; D14/462

(58) **Field of Classification Search** **D18/36-39,**
D18/53-54, 54.1, 55; D14/420-425, 462-470;
399/107; 400/613, 613.1-613.4, 691-694,
400/691.1-691.4; D16/246-248, 237
See application file for complete search history.

(56) **References Cited**

U.S. PATENT DOCUMENTS

D313,986 S	*	1/1991	Matsumoto	D14/466
D359,066 S	*	6/1995	Kondo et al.	D18/39
D373,786 S	*	9/1996	Kondo	D18/39
D383,744 S	*	9/1997	Matsushima et al.	D14/463
D390,256 S	*	2/1998	Shibata	D18/39
D399,869 S	*	10/1998	Yoshida et al.	D18/39
D421,043 S	*	2/2000	Shibata et al.	D18/39
D423,042 S	*	4/2000	Koc et al.	D18/53
D430,596 S	*	9/2000	Shiozaki et al.	D18/54
D446,806 S	*	8/2001	Imai	D18/36
D456,834 S	*	5/2002	Fetherolf et al.	D18/36

6,766,126 B2	*	7/2004	Hsu et al.	399/107
D497,943 S	*	11/2004	LaBarbera	D18/53
D501,667 S	*	2/2005	Ishigami et al.	D18/50
D502,500 S	*	3/2005	Hoshiya et al.	D18/50
D516,081 S	*	2/2006	Takimoto	D14/463
D518,515 S	*	4/2006	Miyauchi et al.	D18/55
D521,056 S	*	5/2006	Horiguchi et al.	D18/39
D521,061 S	*	5/2006	Katayama et al.	D18/55
D521,544 S	*	5/2006	Saito	D18/39
7,062,197 B2	*	6/2006	Kunugi	399/107

* cited by examiner

Primary Examiner—Cathy Anne MacCormac

(57) **CLAIM**

The ornamental design for a personal computer combined with a multifunction printer, as shown and described.

DESCRIPTION

FIG. 1 is a right-front perspective view of a personal computer combined with a multifunction printer showing the new design and showing environmental structure illustrated by broken lines;

FIG. 2 is a left-rear perspective view thereof;

FIG. 3 is a front elevation view thereof;

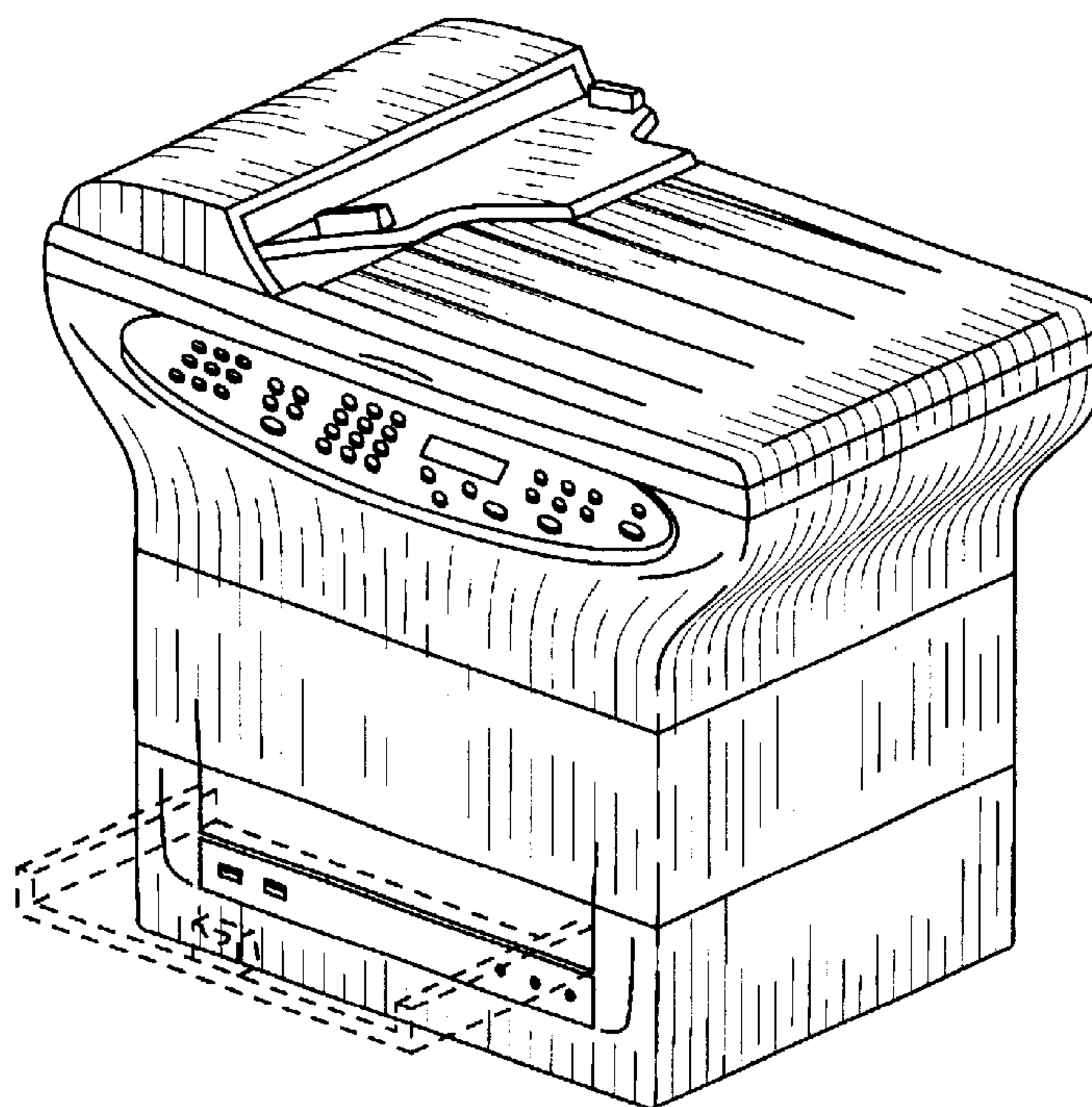
FIG. 4 is a rear elevation view thereof;

FIG. 5 is a left side elevation view thereof; and,

FIG. 6 is a right-front perspective view of the personal computer combined with a multifunction printer shown in FIG. 1 without the environmental structure illustrated by broken lines shown in FIG. 1.

The broken lines are for illustrative purposes only and form no part of the claimed design.

1 Claim, 3 Drawing Sheets



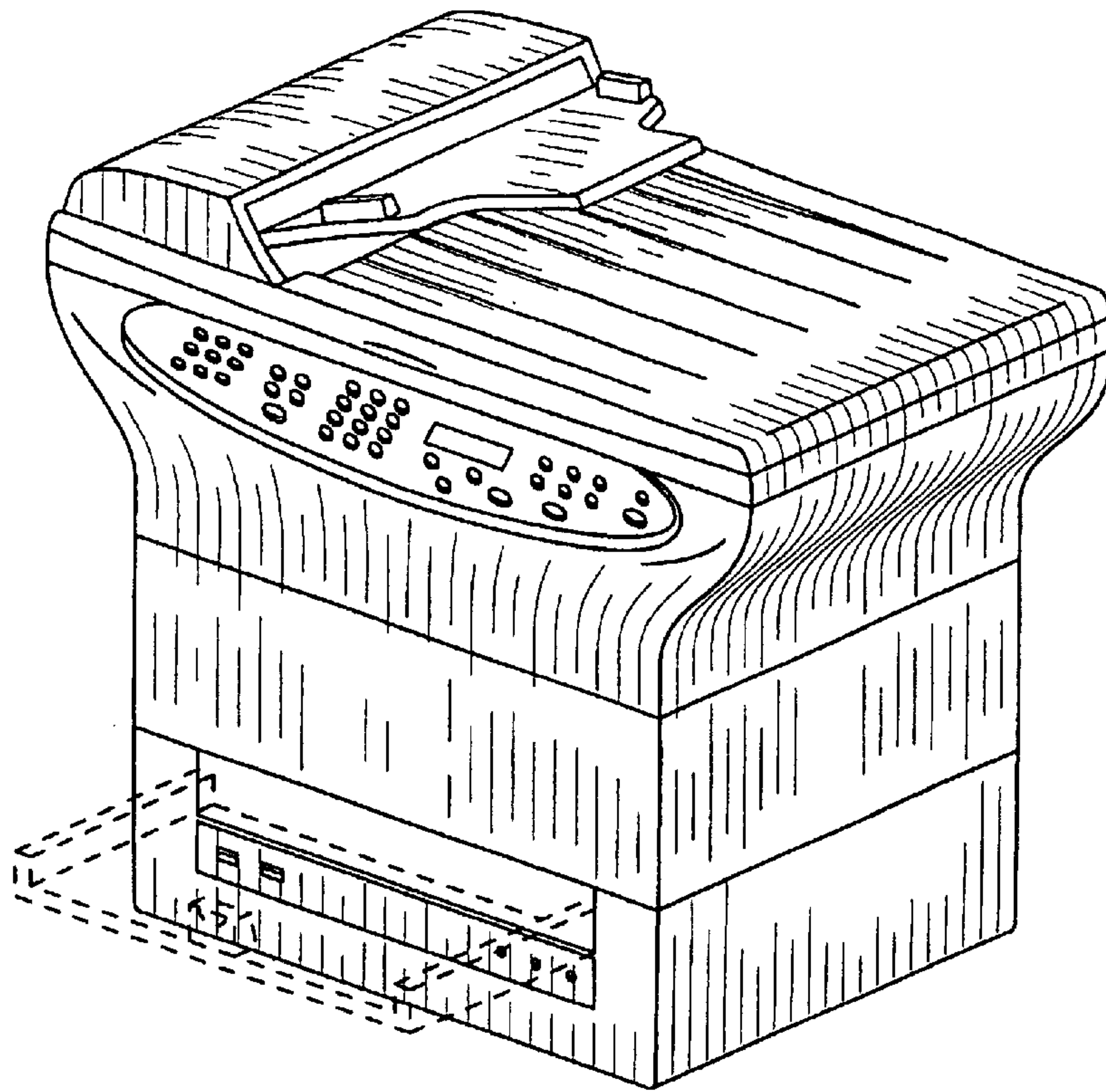


FIG. 1

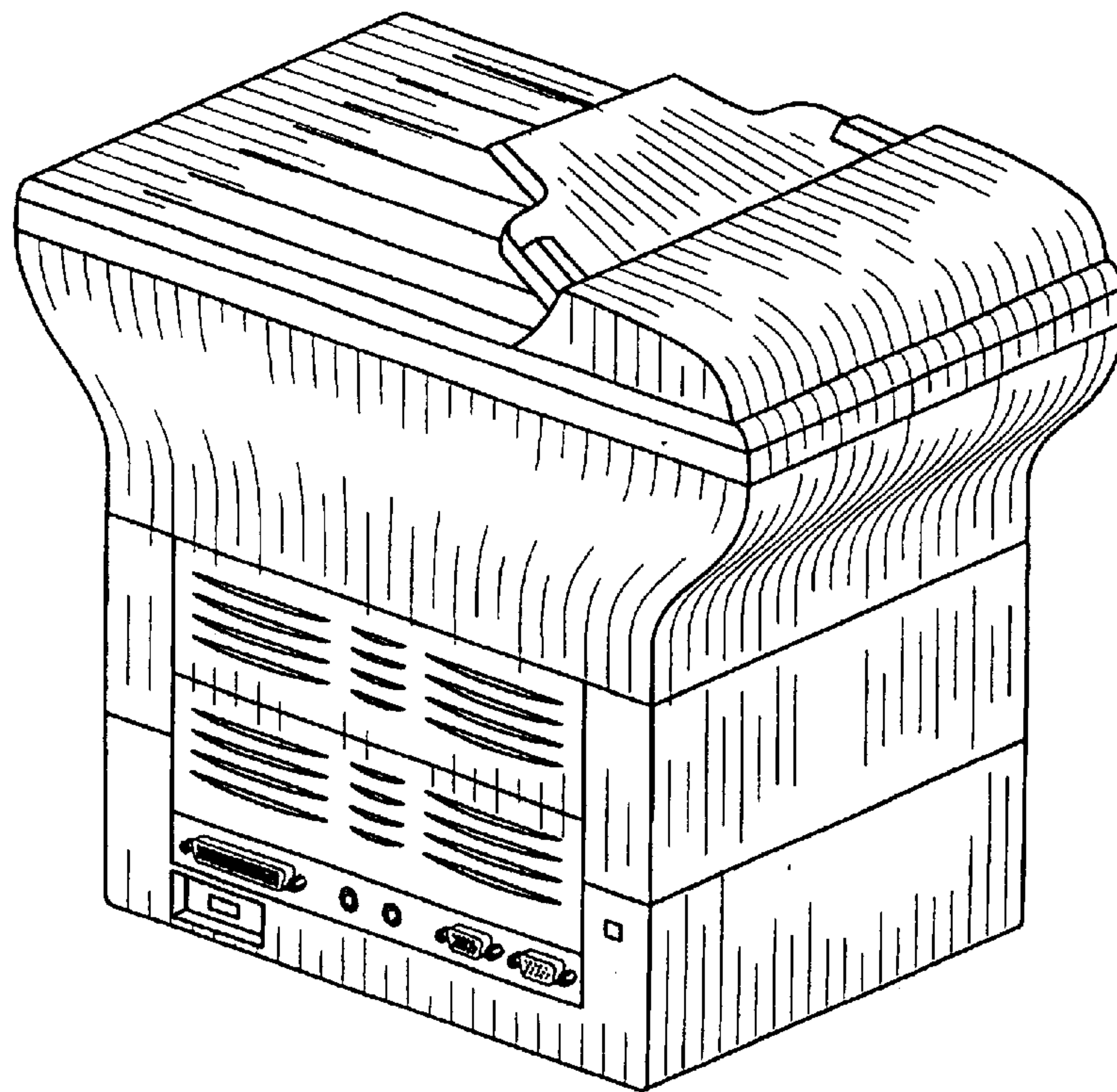


FIG. 2

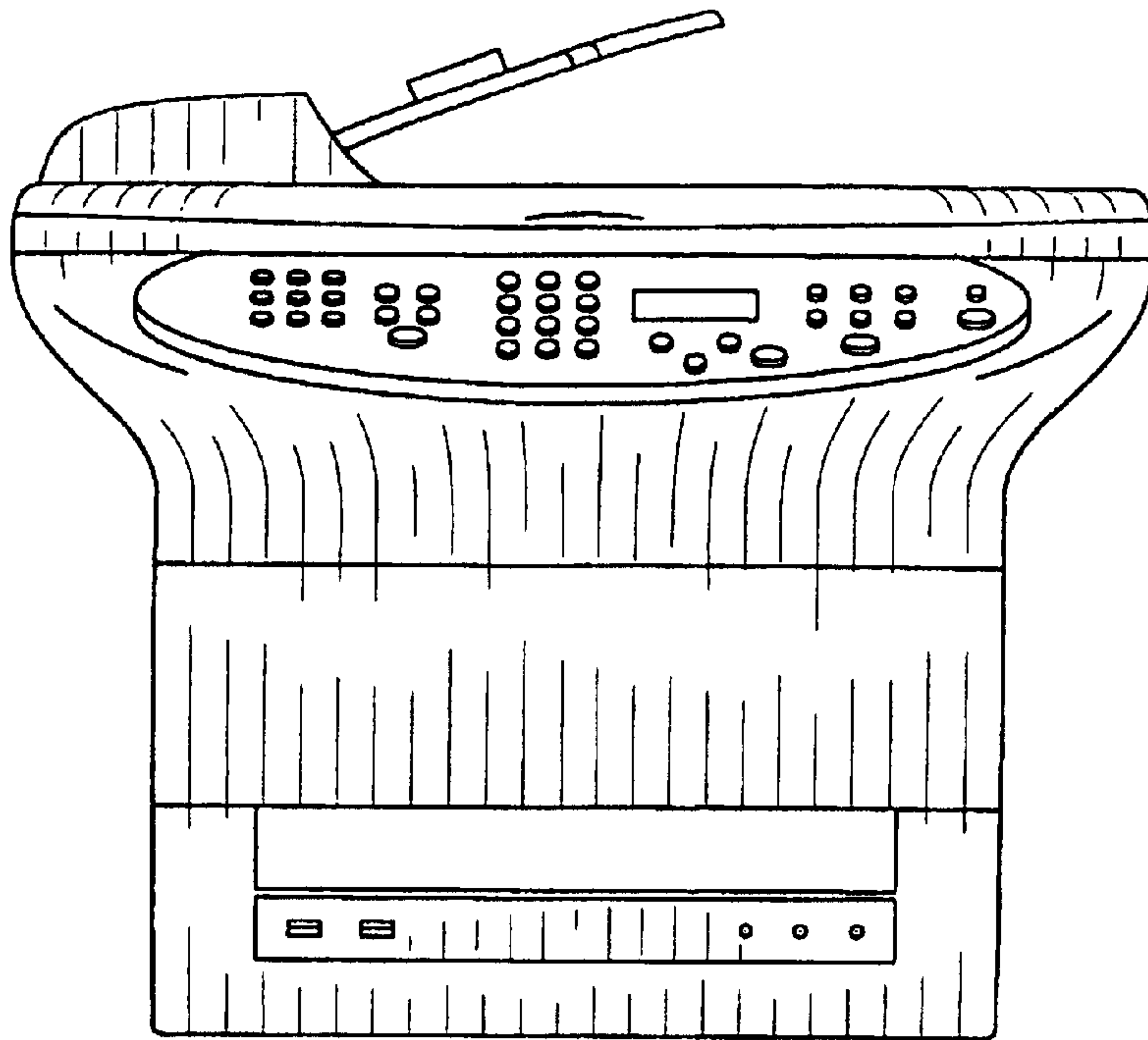


FIG. 3

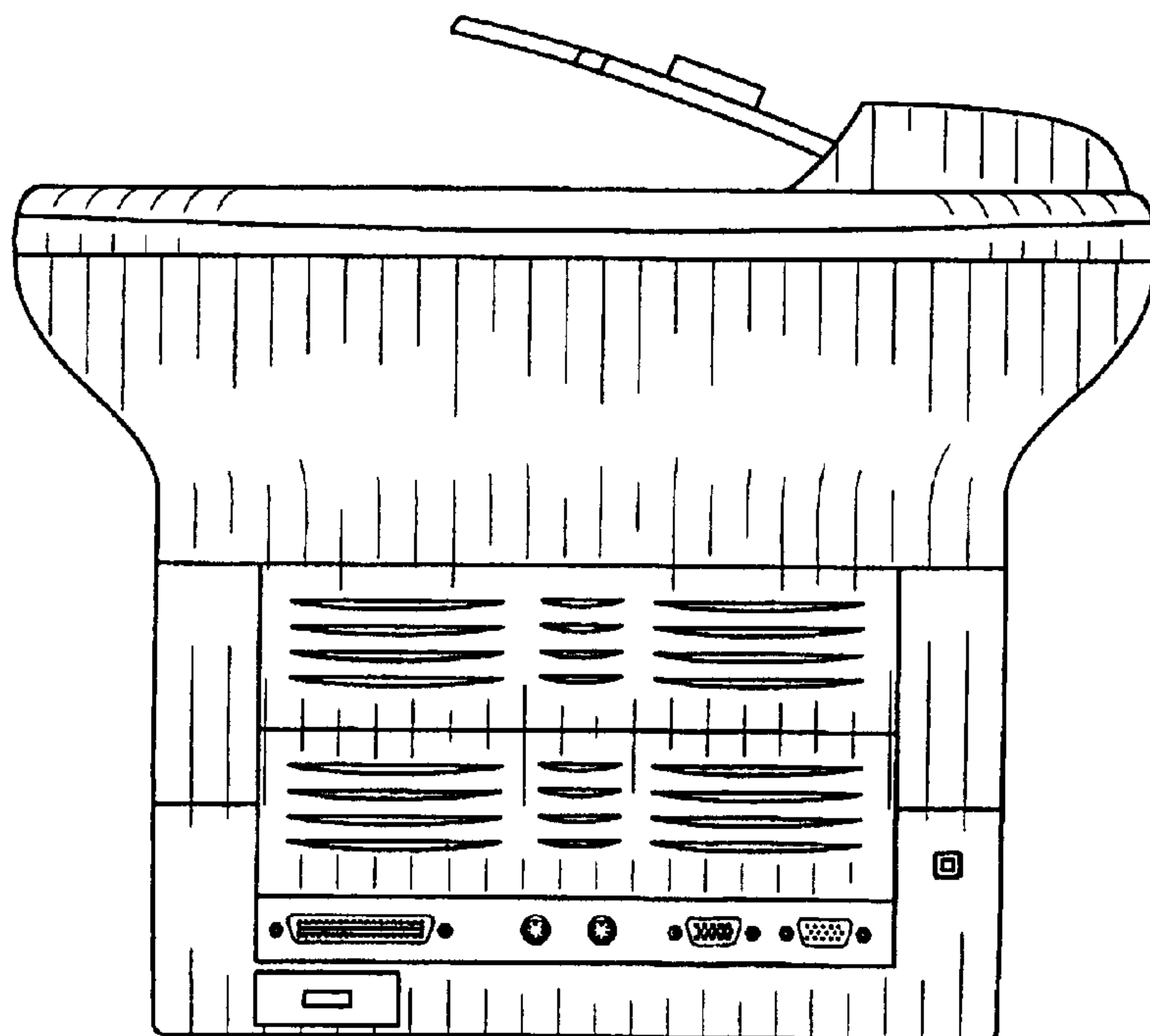


FIG. 4

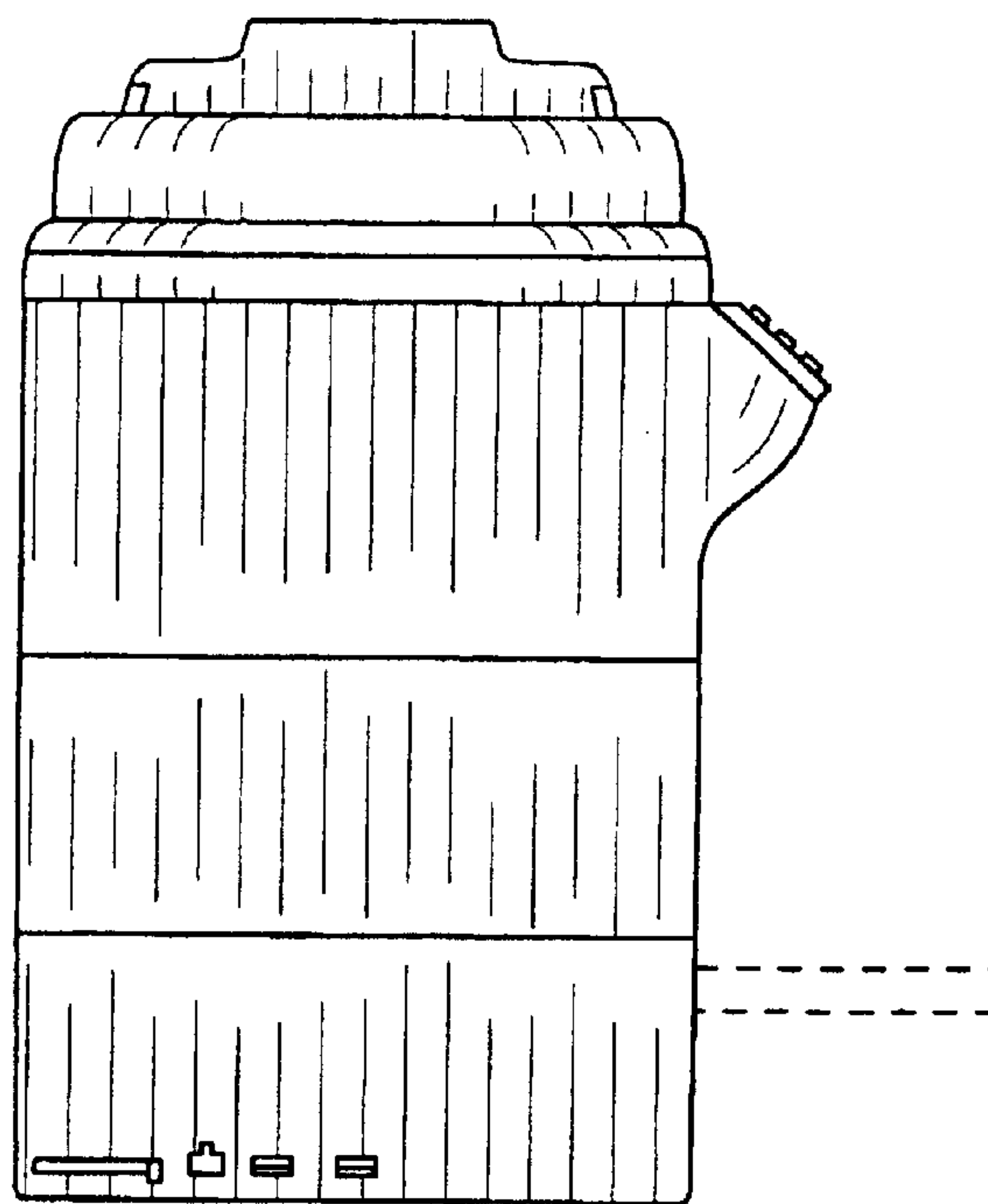


FIG. 5

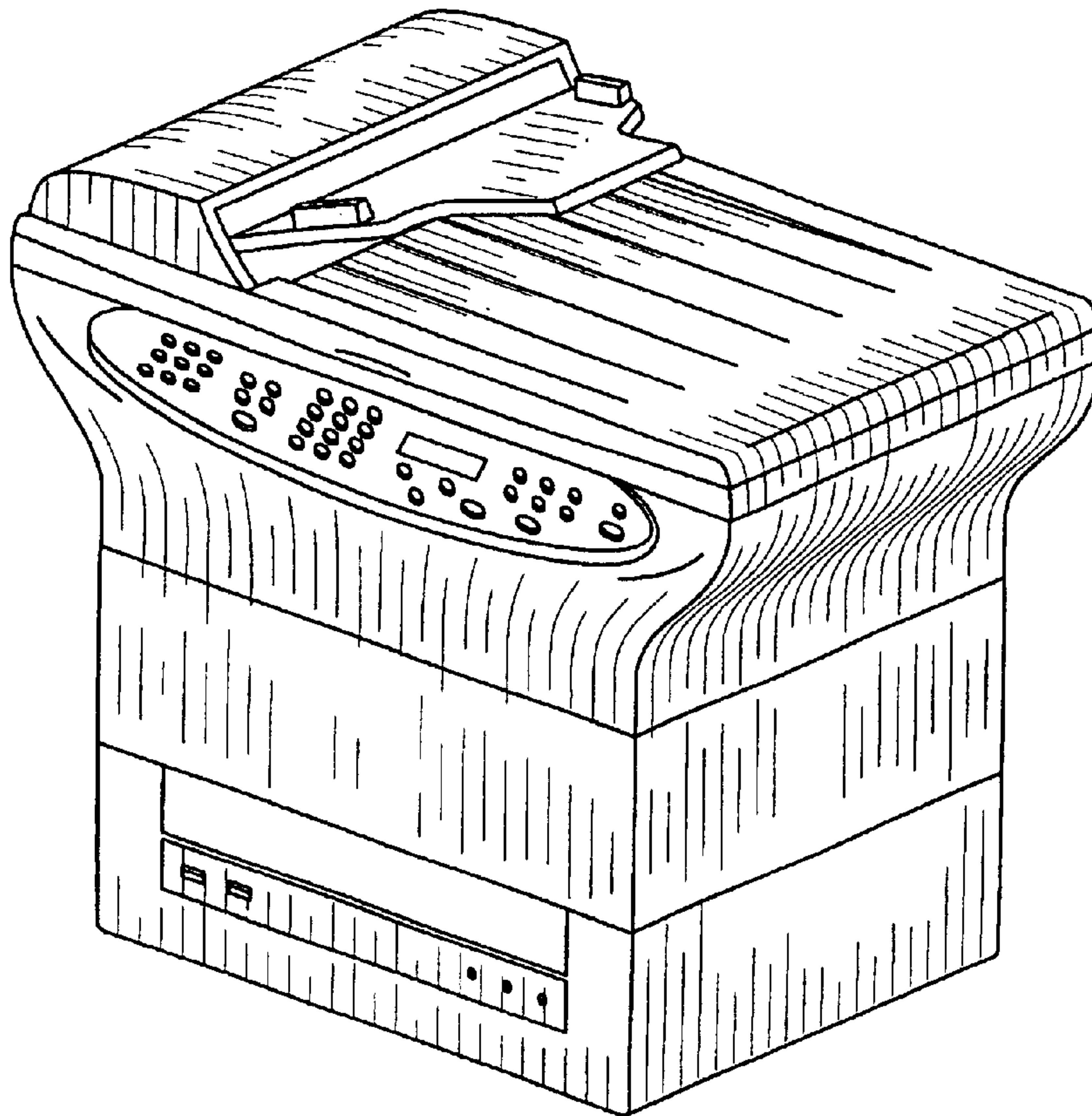


FIG. 6