

US00D539280S

(12) **United States Design Patent**
Andresen

(10) **Patent No.:** **US D539,280 S**

(45) **Date of Patent:** **** Mar. 27, 2007**

(54) **DESKTOP TERMINAL FOR MULTIMEDIA COMMUNICATION**

(75) Inventor: **Simen Andresen**, Eiksmarka (NO)

(73) Assignee: **Tandberg Telecom AS**, Lysaker (NO)

(**) Term: **14 Years**

(21) Appl. No.: **29/228,210**

(22) Filed: **Apr. 21, 2005**

(30) **Foreign Application Priority Data**

Nov. 4, 2004 (NO) 20040637

(51) **LOC (8) Cl.** **14-02**

(52) **U.S. Cl.** **D14/335**

(58) **Field of Classification Search** D14/331-337,
D14/371-375, 388, 211, 317, 125-129; 345/104,
345/156, 168, 173, 901-905; 348/180, 184,
348/325, 739; 341/12; 248/917-924; 349/1,
349/2, 11, 62; 361/680-686

See application file for complete search history.

(56) **References Cited**

U.S. PATENT DOCUMENTS

D269,270 S * 6/1983 Coppola D14/335

D358,807 S * 5/1995 Ratcliffe et al. D14/335

D423,466 S * 4/2000 Kuchta et al. D14/335

6,366,453 B1 * 4/2002 Wang et al. 361/681

D491,935 S * 6/2004 Chin et al. D14/336

D494,582 S * 8/2004 Lancaster, Jr. D14/335

* cited by examiner

Primary Examiner—Freda S. Nunn

(74) *Attorney, Agent, or Firm*—Oblon, Spivak, McClelland,
Maier & Neustadt, P.C.

(57) **CLAIM**

The ornamental design for a desktop terminal for multimedia communication, as shown and described.

DESCRIPTION

FIG. 1 is a front and right side perspective view of the desktop terminal for multimedia communication, showing my new design;

FIG. 2 is a front elevational view thereof;

FIG. 3 is a top plan view thereof;

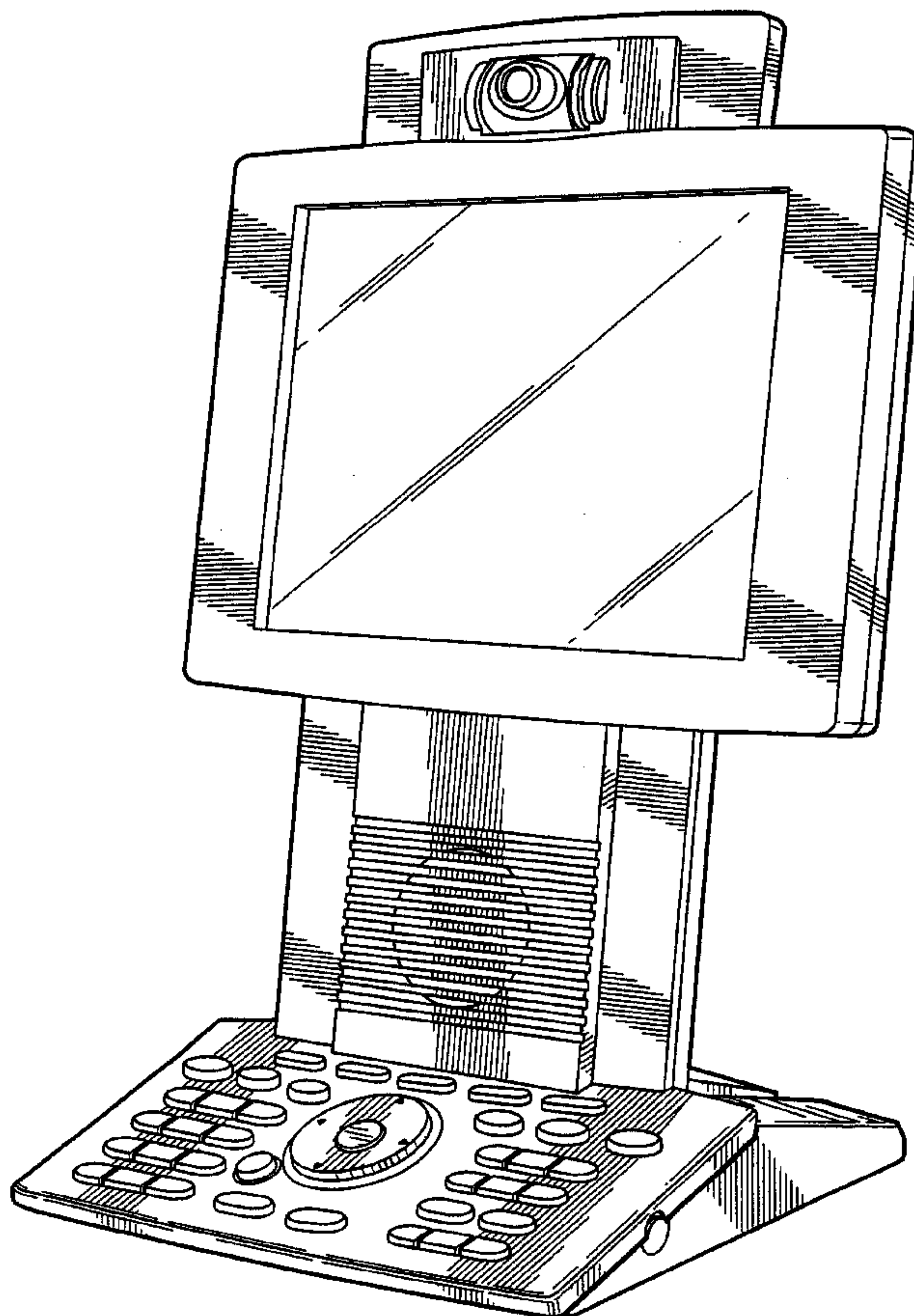
FIG. 4 is a left side elevational view thereof;

FIG. 5 is a right side elevational view thereof; and,

FIG. 6 is a rear elevational view thereof.

The indicia shown in the figures is hereby disclaimed and forms no part of the claimed invention.

1 Claim, 6 Drawing Sheets



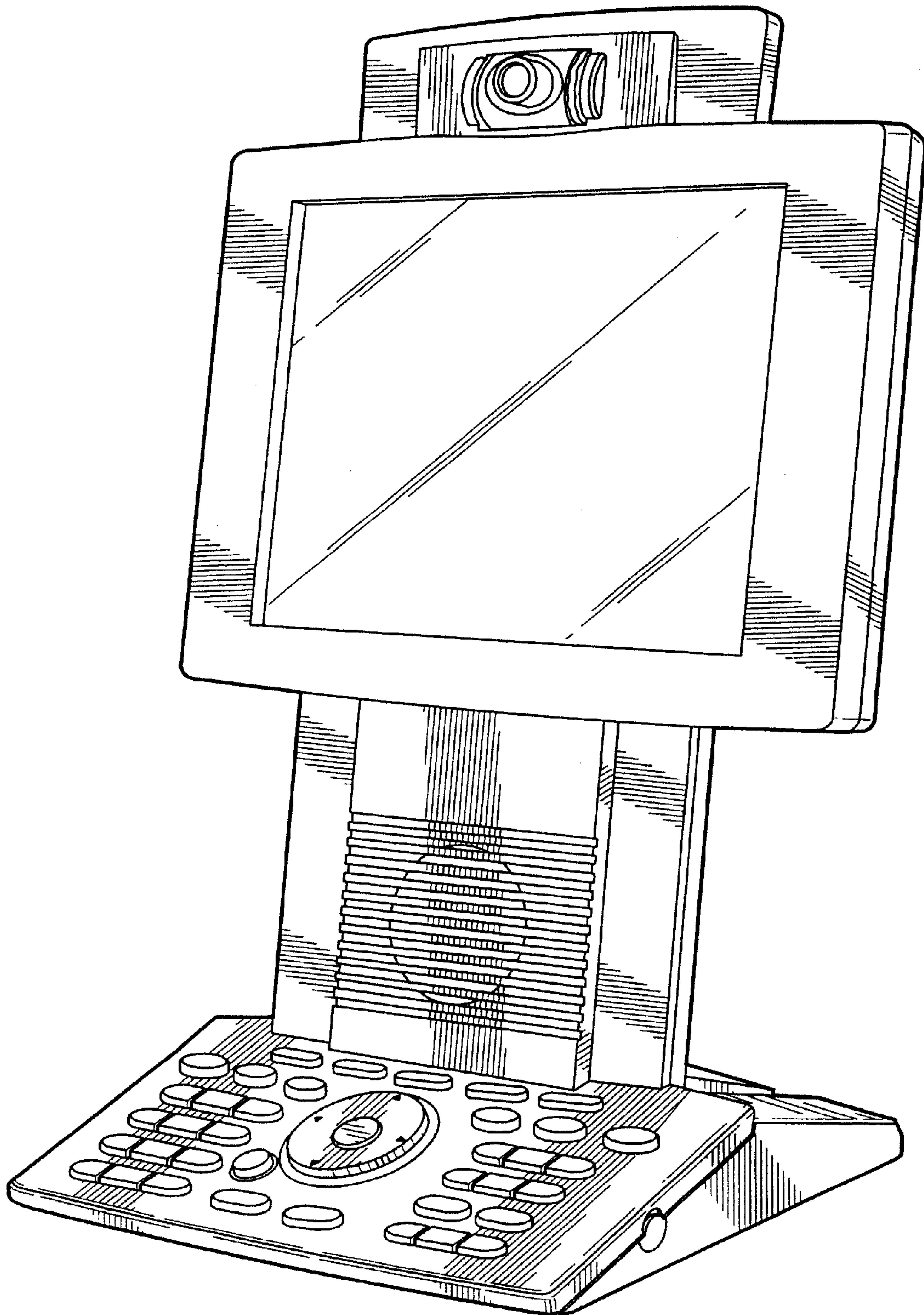


Fig. 1

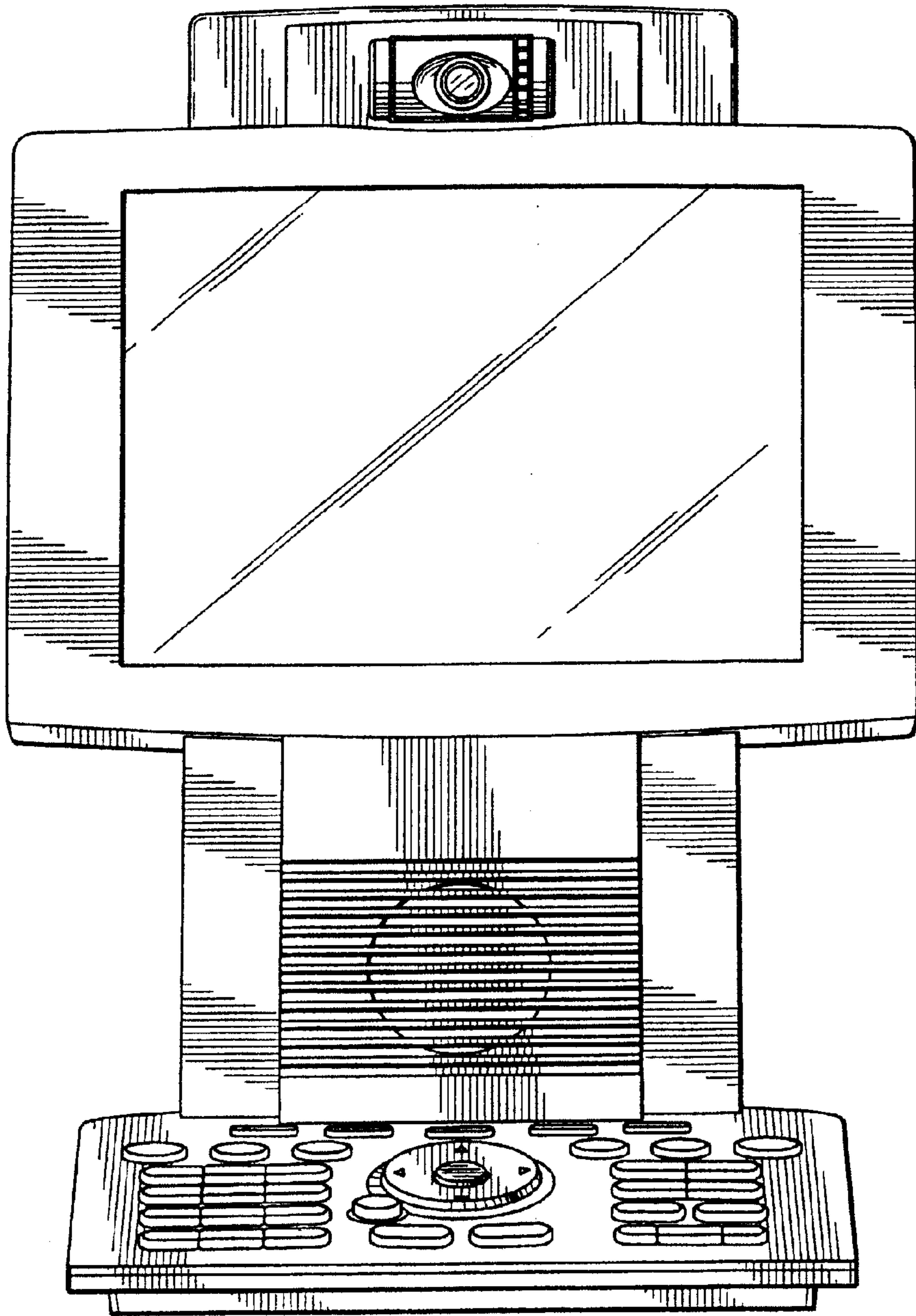


Fig. 2

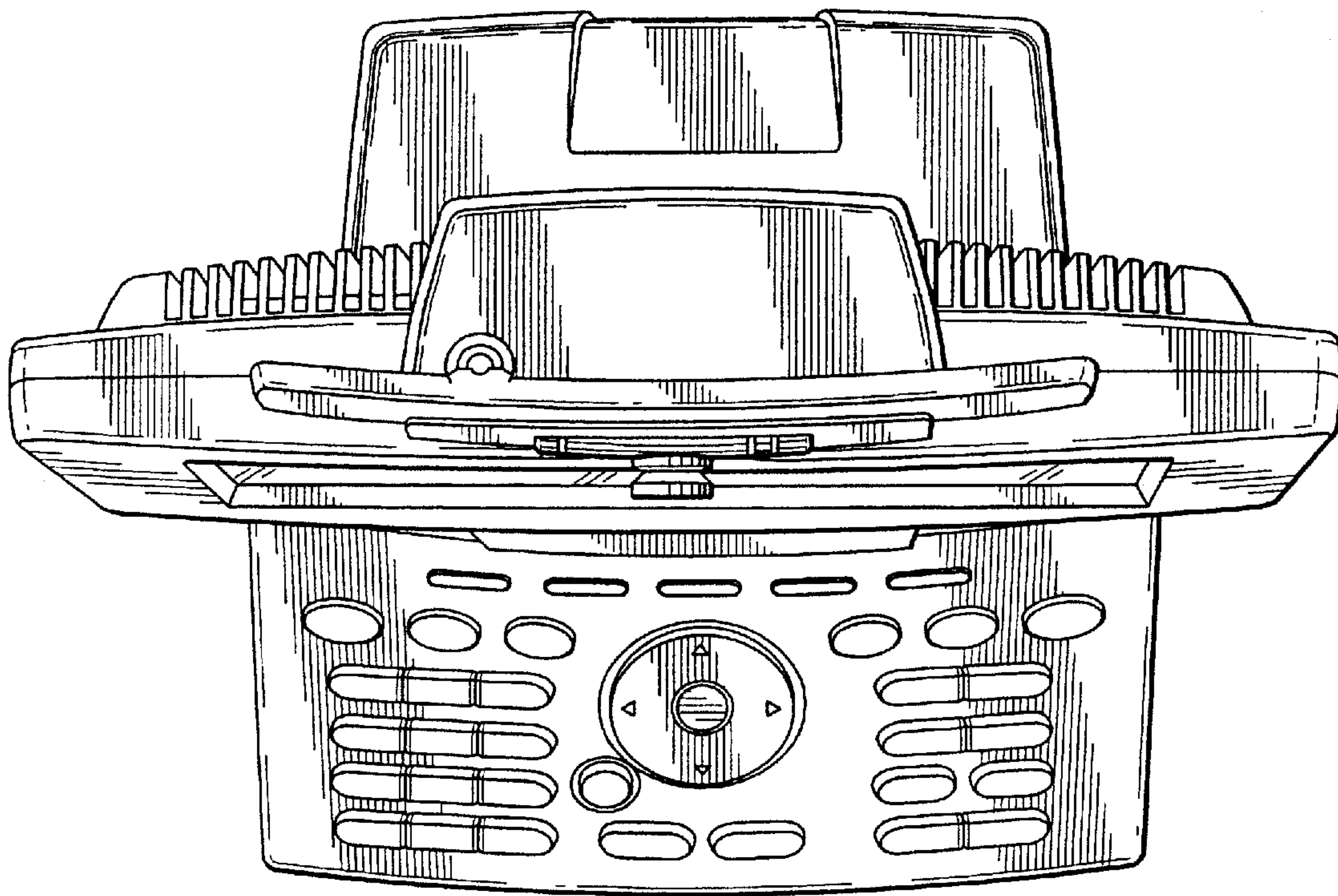


Fig. 3

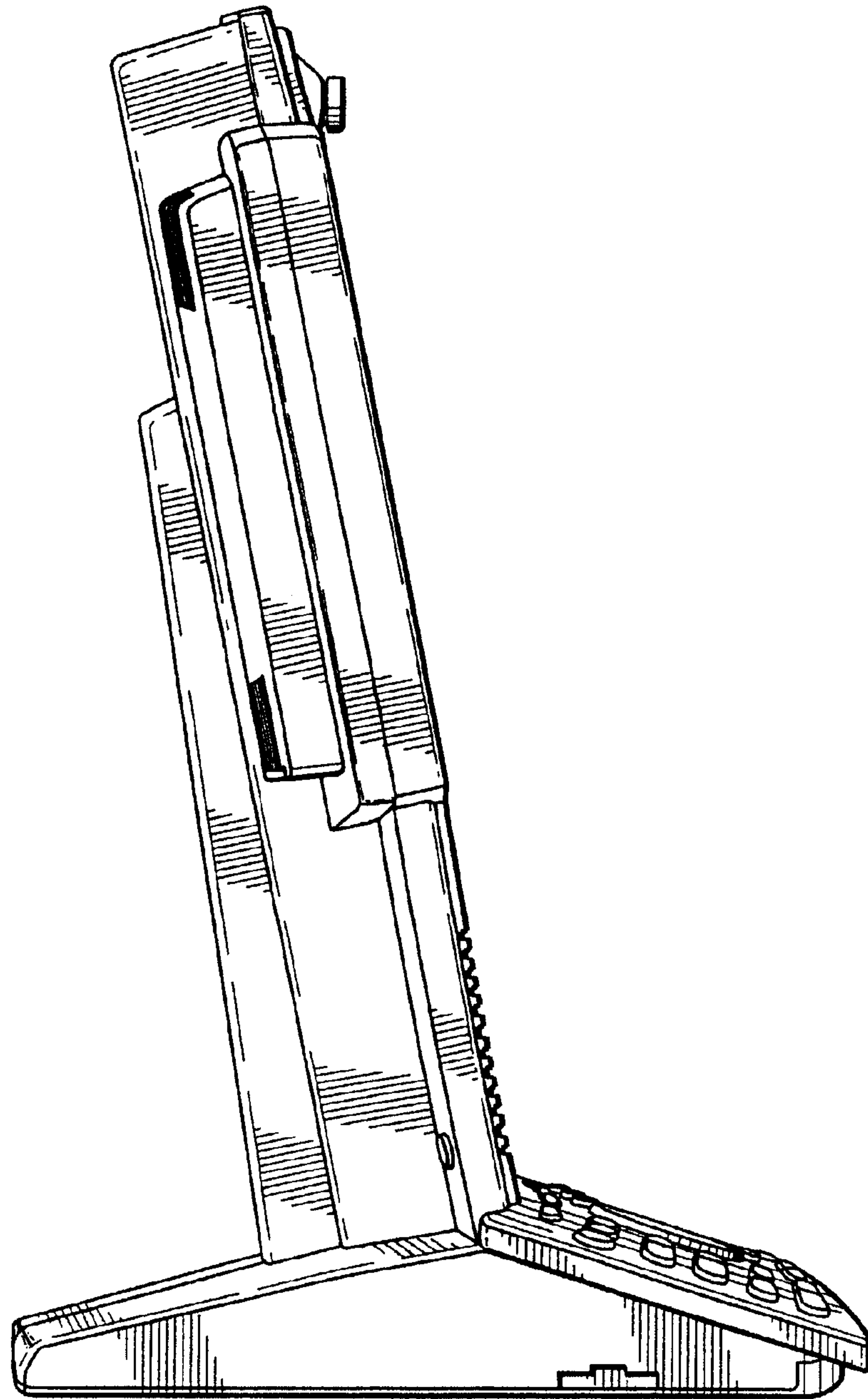


Fig. 4

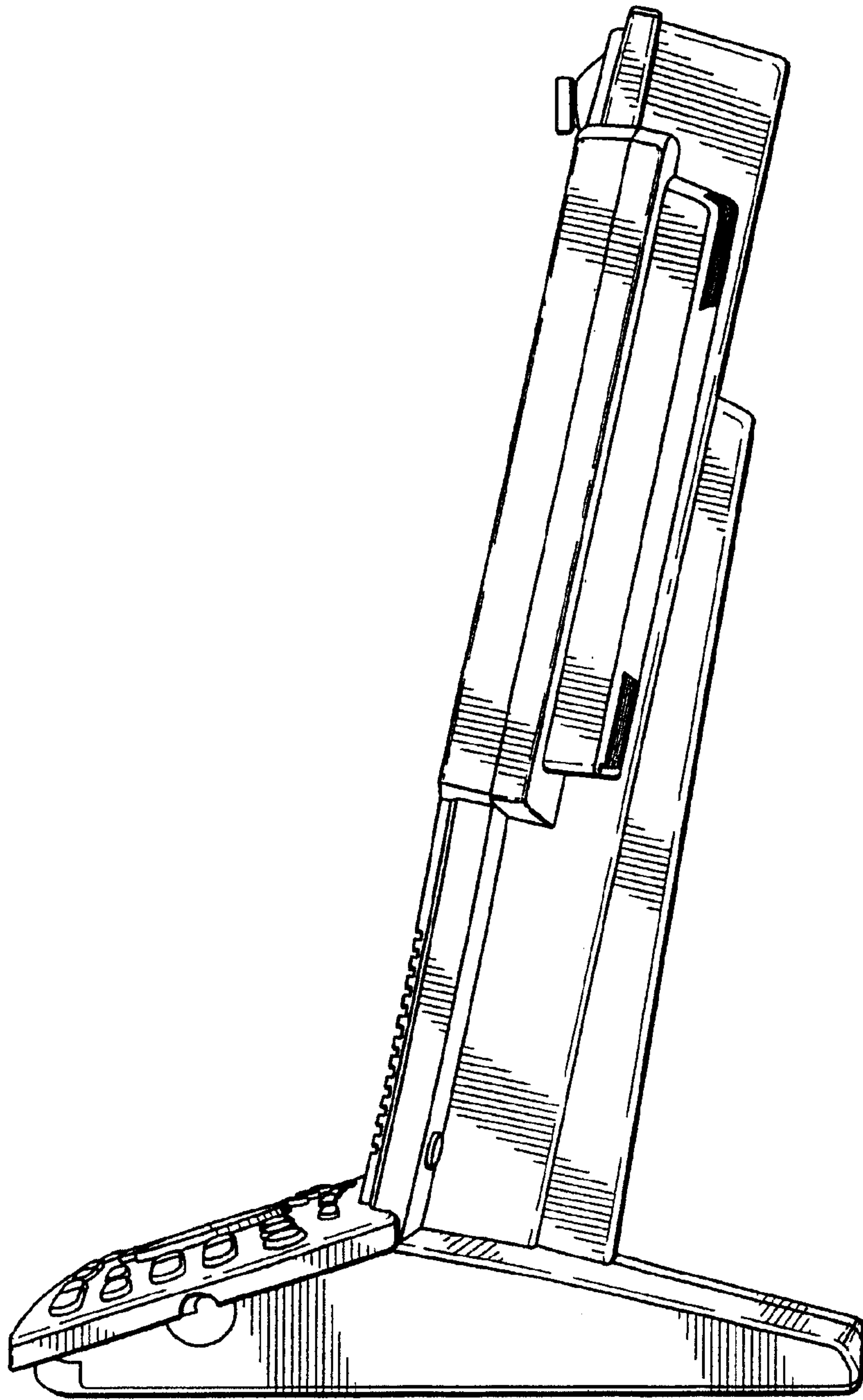


Fig. 5

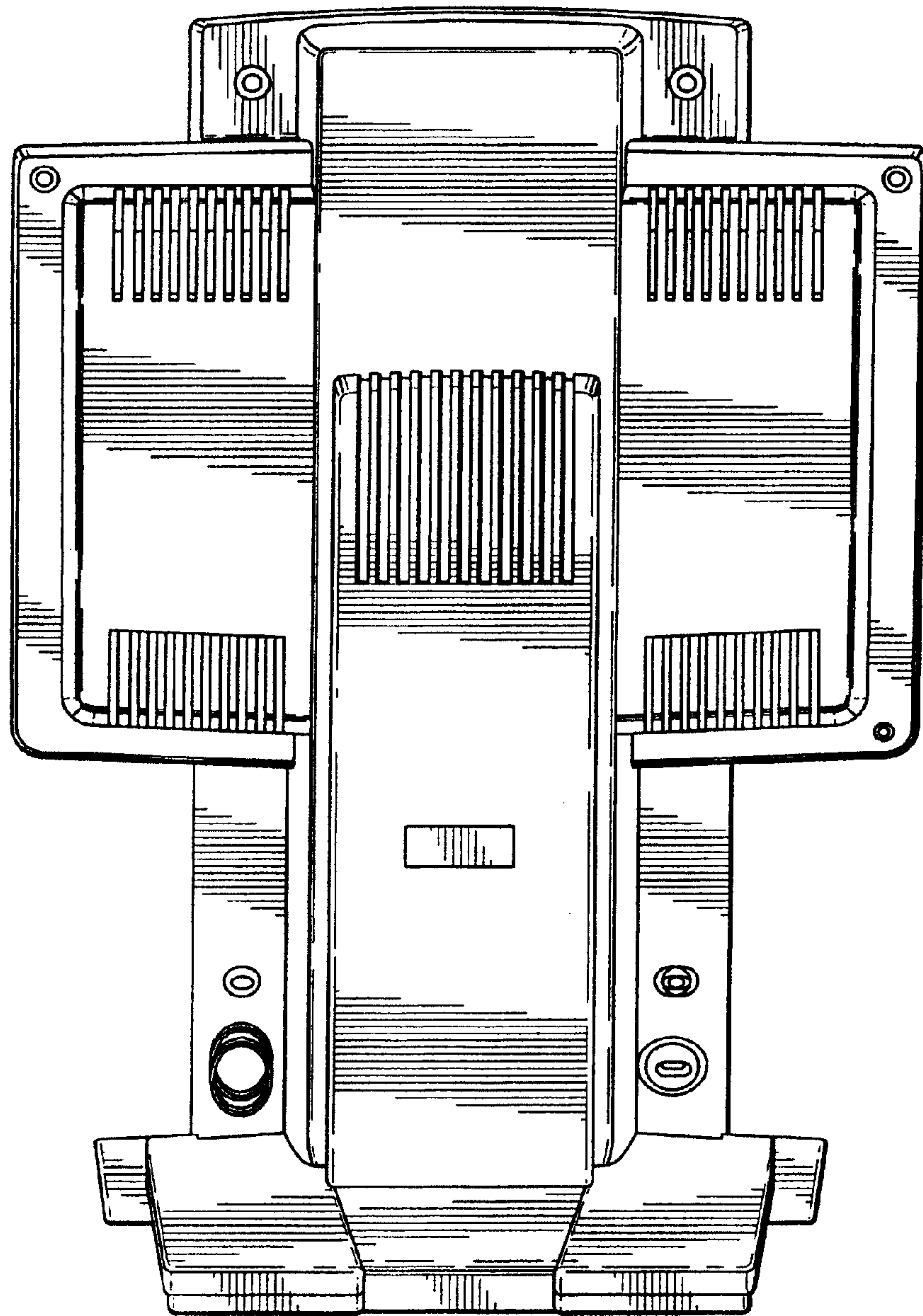


Fig. 6