



US00D539279S

(12) **United States Design Patent**
Takeshita et al.

(10) **Patent No.:** **US D539,279 S**
(45) **Date of Patent:** **** Mar. 27, 2007**

(54) **TRAY FOR HOLDING COMPACT DISK
WHILE PRINTING THEREON**

(75) Inventors: **Sanshiro Takeshita**, Nagano-ken (JP);
Eiichi Miyashita, Nagano-ken (JP)

(73) Assignee: **Seiko Epson Corporation**, Tokyo (JP)

(**) Term: **14 Years**

(21) Appl. No.: **29/251,994**

(22) Filed: **Jan. 18, 2006**

(30) **Foreign Application Priority Data**

Sep. 21, 2005 (JP) 2005-027204

(51) **LOC (8) Cl.** **14-03**

(52) **U.S. Cl.** **D14/260.1**

(58) **Field of Classification Search** D18/36-39,
D18/56, 53-55, 99, 19, 50; 101/2, 5, 22,
101/23, 33, 41, 214, 364-366, 118, 127.1;
D14/260.1; D8/71; D10/64; D6/407, 626;
234/25; 118/44; 38/36; 720/610, 601, 607;
347/101

See application file for complete search history.

(56) **References Cited**

U.S. PATENT DOCUMENTS

D368,928 S * 4/1996 Byers et al. D18/56
5,748,577 A * 5/1998 Sakiyama 369/30.76
D398,604 S * 9/1998 Aoki D14/260.1
6,061,320 A * 5/2000 Tsai 720/607

D495,690 S * 9/2004 Lin D14/260.1
6,845,509 B2 * 1/2005 Hsieh et al. 720/601
D502,941 S * 3/2005 Nakata et al. D14/260.1
6,871,946 B2 * 3/2005 Yanagi et al. 347/101
6,886,175 B2 * 4/2005 Yeh et al. 720/610
D510,932 S * 10/2005 Nakano et al. D14/260.1

* cited by examiner

Primary Examiner—Charles A. Rademaker

Assistant Examiner—Charles Hanson

(74) *Attorney, Agent, or Firm*—Sughrue Mion, PLLC

(57) **CLAIM**

The ornamental design for a tray for holding compact disk while printing thereon, as shown and described.

DESCRIPTION

FIG. 1 is a perspective view of the top, front and right side of a tray for holding compact disk while printing thereon showing our new design;

FIG. 2 is a top plan view thereof;

FIG. 3 is a bottom plan view thereof;

FIG. 4 is a left side elevational view thereof;

FIG. 5 is a right side elevational view thereof;

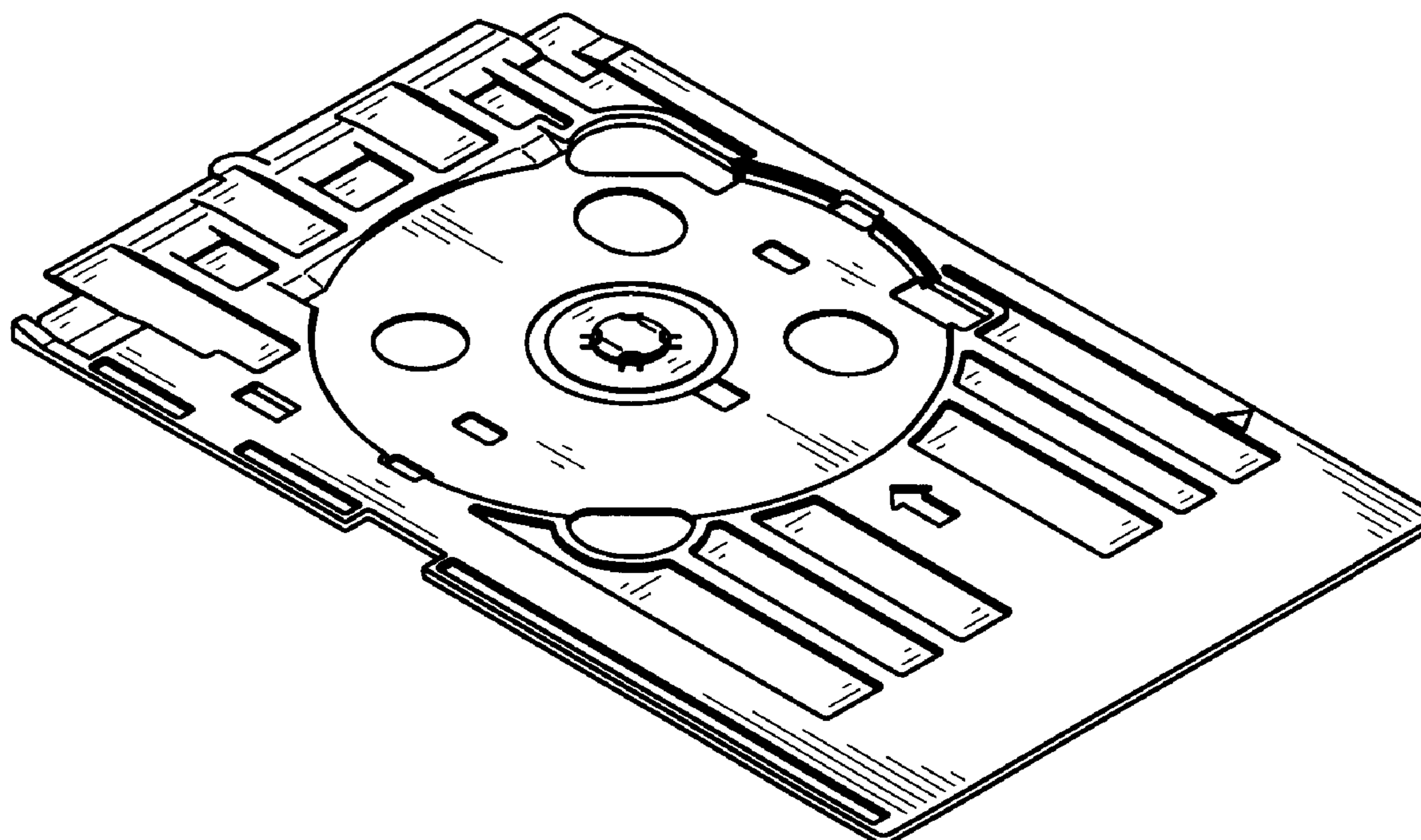
FIG. 6 is a front elevational view thereof;

FIG. 7 is a rear elevational view thereof;

FIG. 8 is an enlarged partial view thereof at portion 8—8 in FIG. 6; and,

FIG. 9 is an enlarged view thereof at portion 9—9 in FIG. 7.

1 Claim, 4 Drawing Sheets



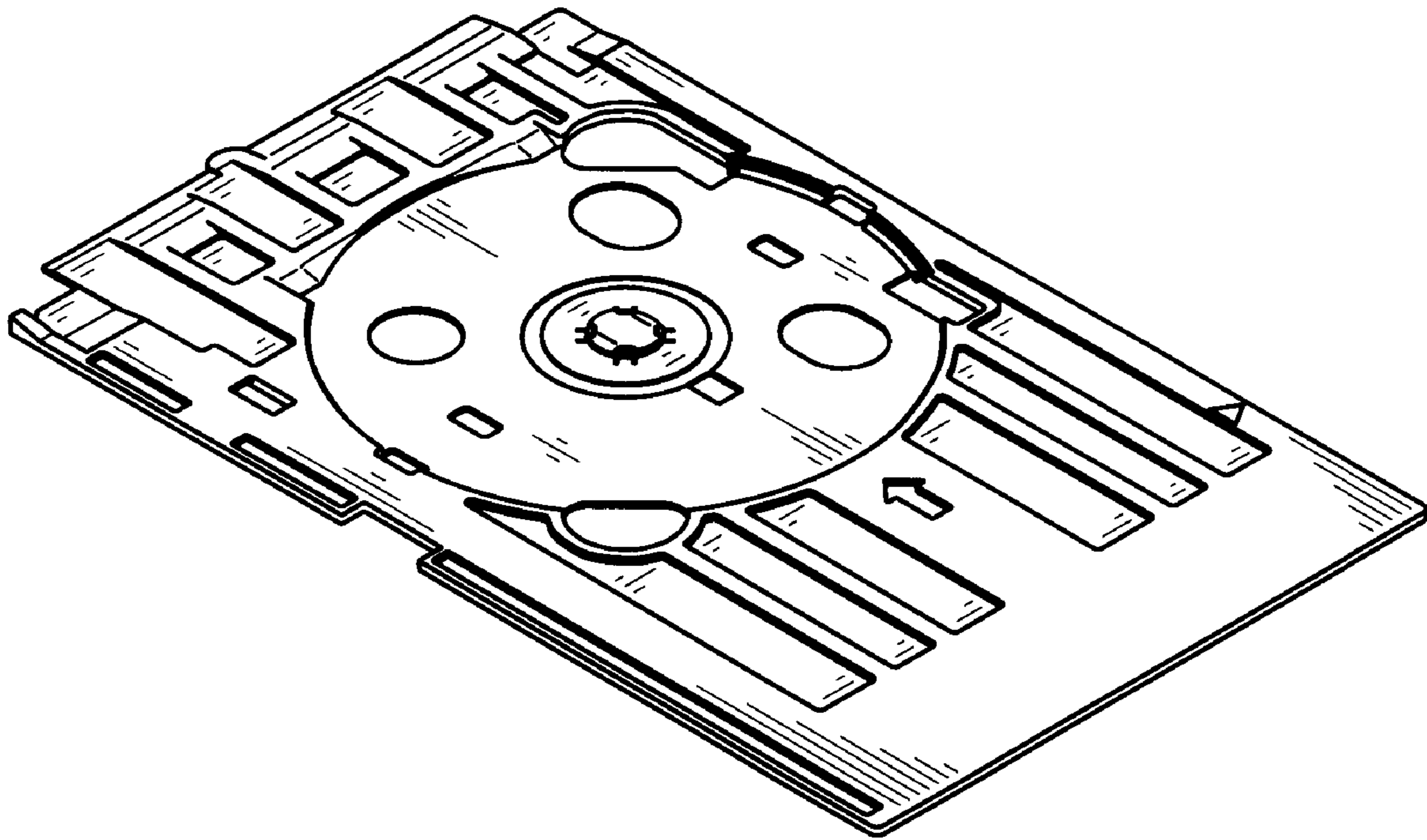


FIG. 1

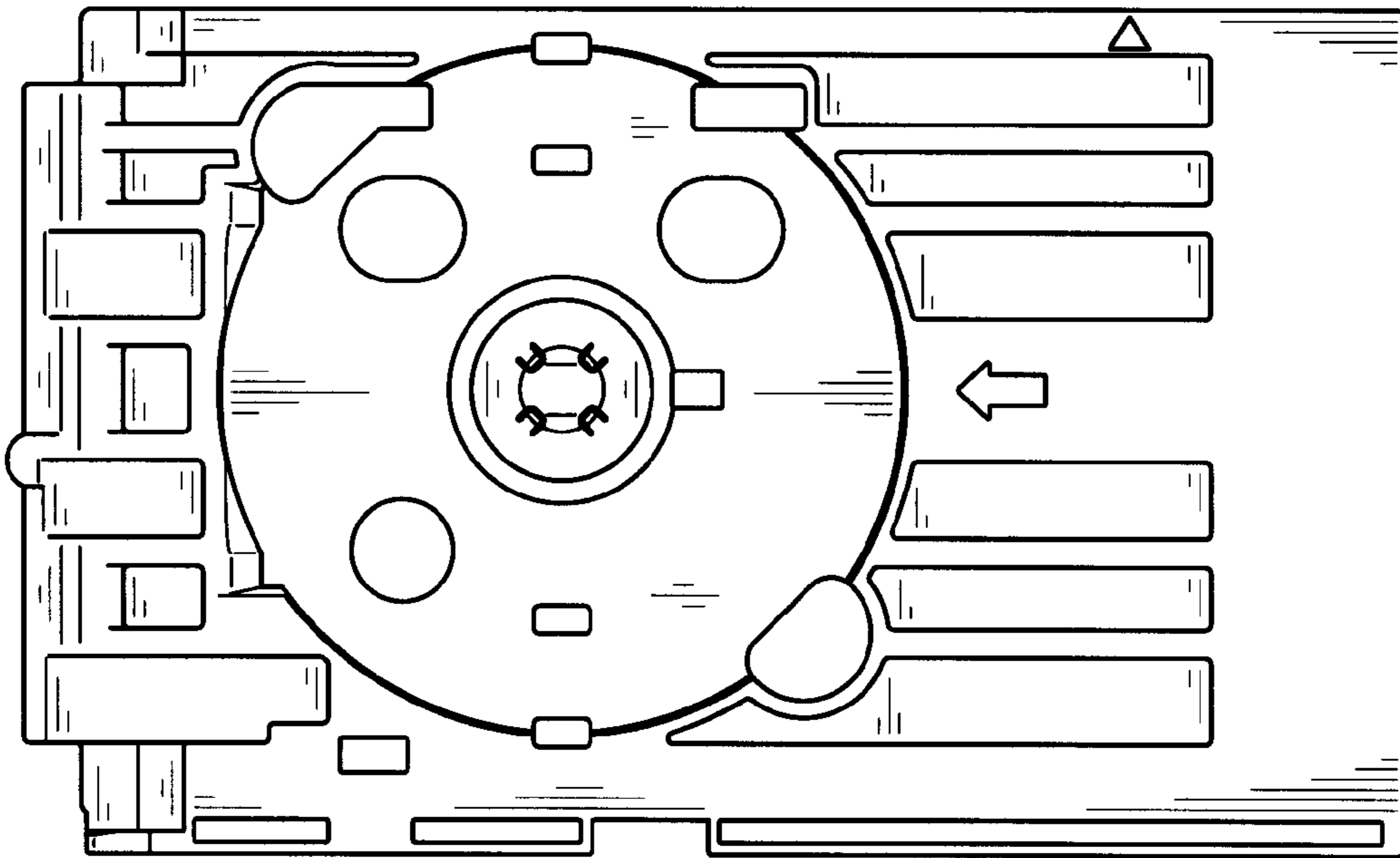


FIG. 2

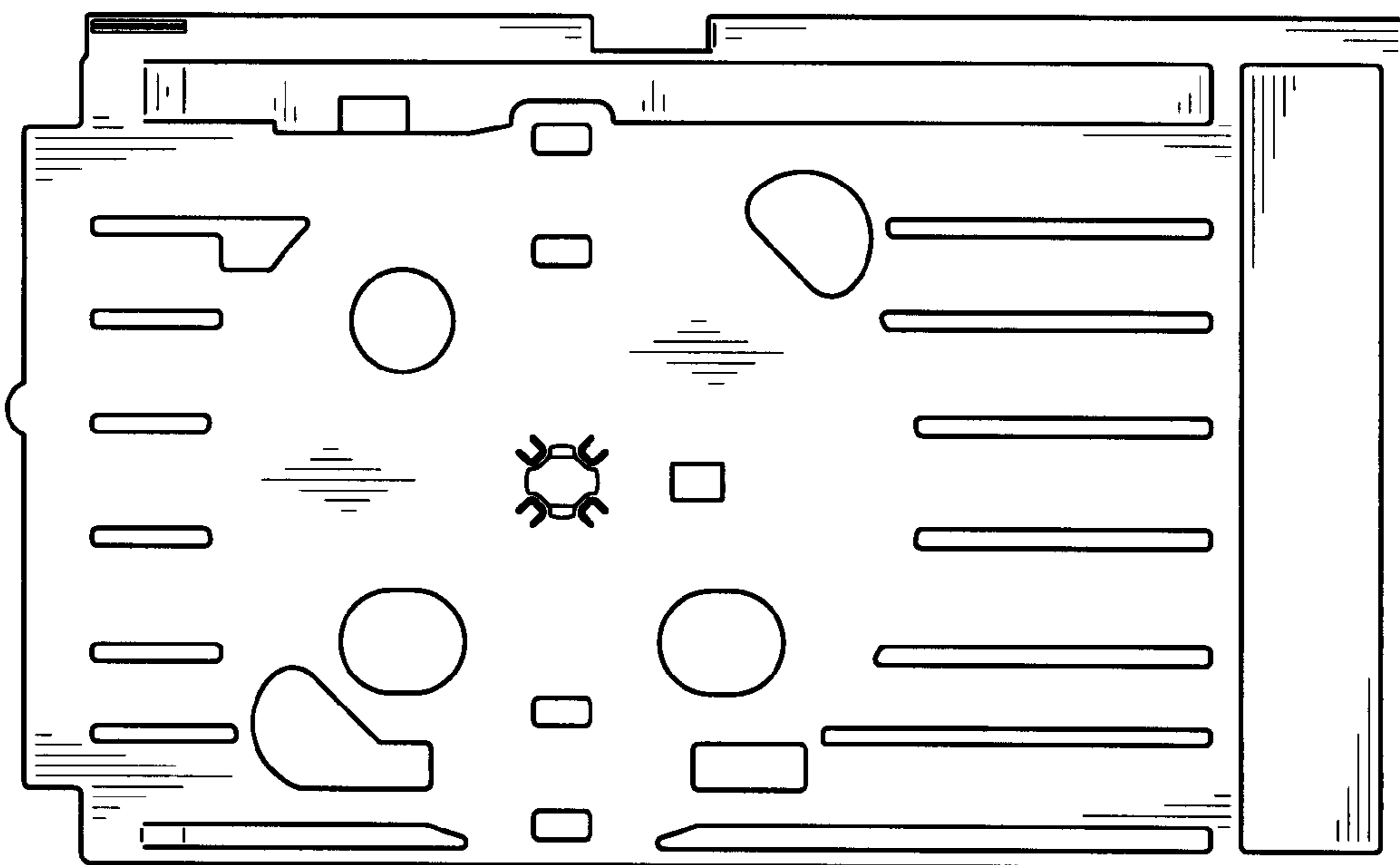


FIG. 3



FIG. 4



FIG. 5



FIG. 6



FIG. 7

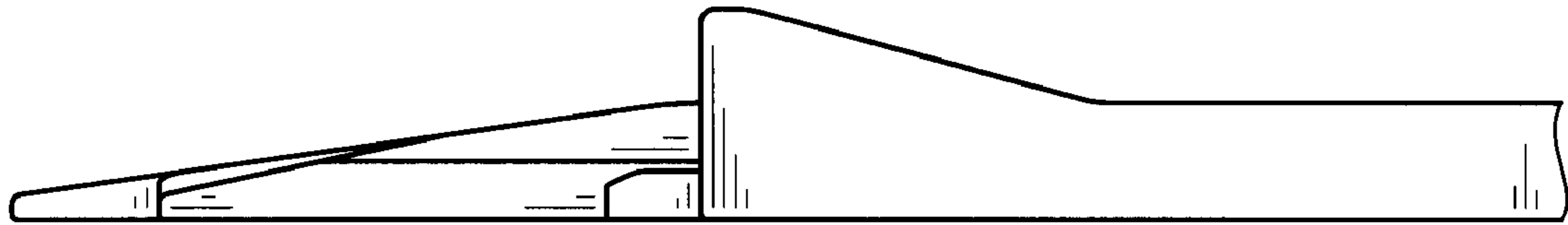


FIG. 8

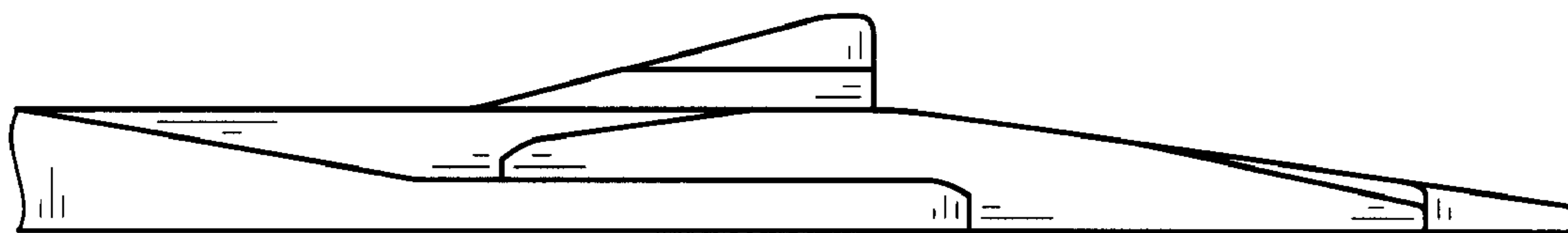


FIG. 9