

US00D539278S

(12) **United States Design Patent**  
**Goto**

(10) **Patent No.:** **US D539,278 S**  
(45) **Date of Patent:** **\*\* Mar. 27, 2007**

(54) **ARITHMETIC AND CONTROL UNIT**

(75) **Inventor:** **Teiyu Goto**, Tokyo (JP)

(73) **Assignee:** **Sony Computer Entertainment Inc.**,  
Tokyo (JP)

(\*\*) **Term:** **14 Years**

(21) **Appl. No.:** **29/224,860**

(22) **Filed:** **Mar. 9, 2005**

(30) **Foreign Application Priority Data**

Sep. 14, 2004 (JP) ..... D2004-027970

(51) **LOC (8) Cl.** ..... **14-03**

(52) **U.S. Cl.** ..... **D14/260.1**

(58) **Field of Classification Search** ..... D14/135-6,  
D14/156, 260.1, 299, 319, 356, 363, 366,  
D14/439; D21/13, 516; 360/97.01, 99.08,  
360/99.12, 254; 361/685

See application file for complete search history.

(56) **References Cited**

**U.S. PATENT DOCUMENTS**

- 4,491,888 A \* 1/1985 Brown et al. .... 360/97.03
- 5,459,703 A \* 10/1995 Tanaka ..... 369/30.85
- D367,895 S 3/1996 Goto
- D389,150 S \* 1/1998 Tanaka ..... D14/367
- D412,165 S \* 7/1999 Niitsu ..... D14/435
- 6,011,766 A \* 1/2000 Nguyen et al. .... 720/607
- D436,105 S 1/2001 Goto
- D436,956 S 1/2001 Goto
- D436,957 S 1/2001 Goto
- D437,320 S 2/2001 Goto
- D439,250 S 3/2001 Goto
- D445,788 S 7/2001 Goto
- D450,318 S 11/2001 Goto
- D452,688 S 1/2002 Goto
- 6,504,674 B2 \* 1/2003 Yoshida et al. .... 360/99.12
- D470,485 S 2/2003 Goto

- D501,482 S \* 2/2005 Goto ..... D14/478
- D506,997 S \* 7/2005 Matsui et al. .... D14/260.1
- 2003/0214752 A1 \* 11/2003 Hashizume et al. .... 360/99.12
- 2005/0073810 A1 \* 4/2005 Hui-Chu et al. .... 361/685

**FOREIGN PATENT DOCUMENTS**

- JP 1093389 S 12/2000
- JP 1099747 S 2/2001
- JP 1099748 S 2/2001
- JP 1099749 S 2/2001
- JP 1099750 S 2/2001
- JP 1099751 S 2/2001
- JP 1099752 S 2/2001
- JP 1099753 S 2/2001
- JP 1099754 S 2/2001
- JP 1171666 S 4/2003
- JP D1174845 S 6/2003

\* cited by examiner

*Primary Examiner*—Robin Webster

*Assistant Examiner*—Karen E. Patterson

(74) *Attorney, Agent, or Firm*—Rader, Fishman & Grauer  
PLLC

(57) **CLAIM**

The ornamental design for an arithmetic and control unit, as shown and described.

**DESCRIPTION**

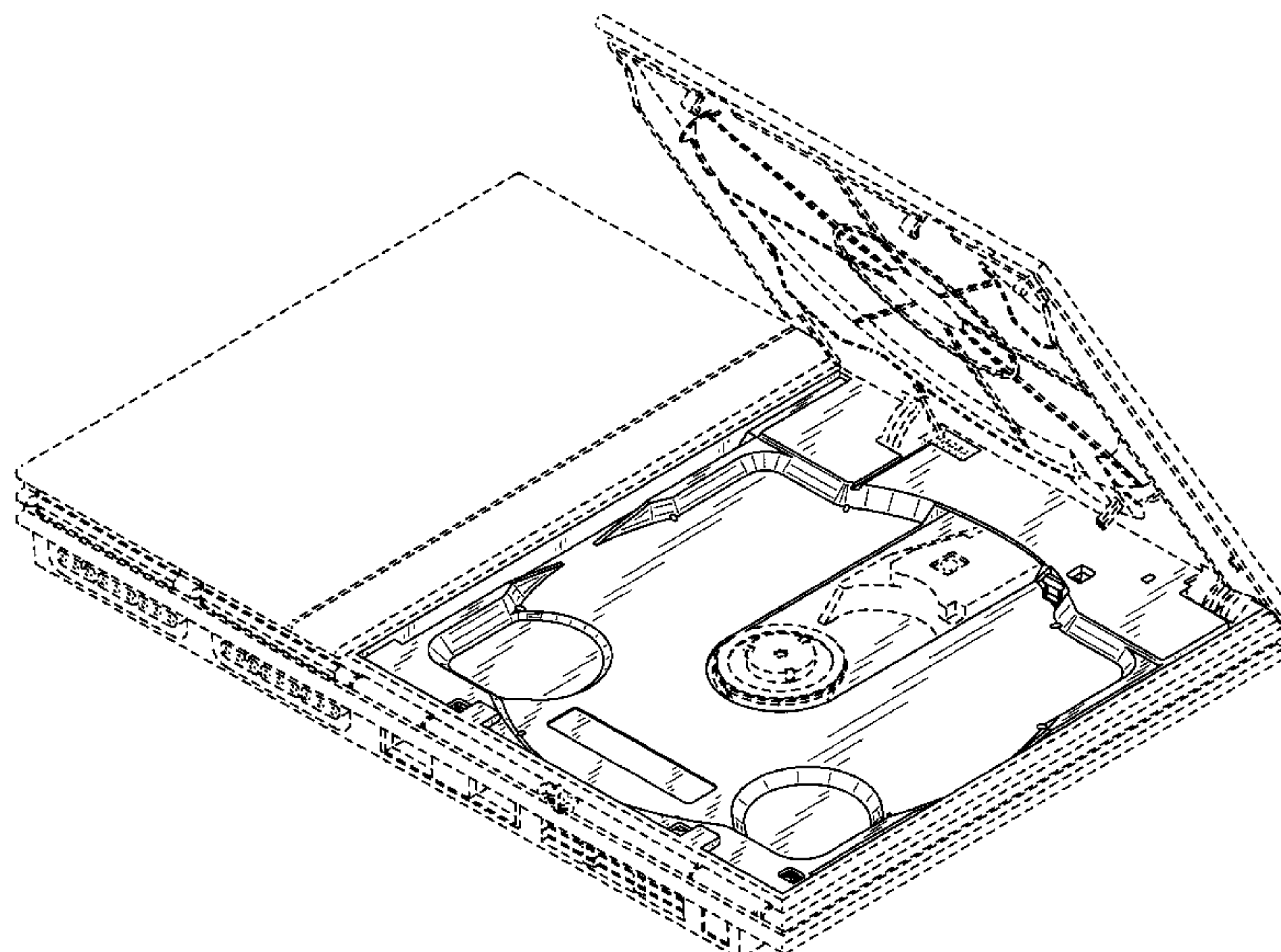
FIG. 1 is a perspective view of an arithmetic and control unit showing my new design, wherein a lid portion is in the open position;

FIG. 2 is a top plan view thereof, wherein the lid portion is in the open position; and

FIG. 3 is a top plan view thereof, wherein the lid portion is removed.

Portions of FIGS. 1-3 that are shown as broken lines are for illustrative purposes only and form no part of the claimed design.

**1 Claim, 3 Drawing Sheets**



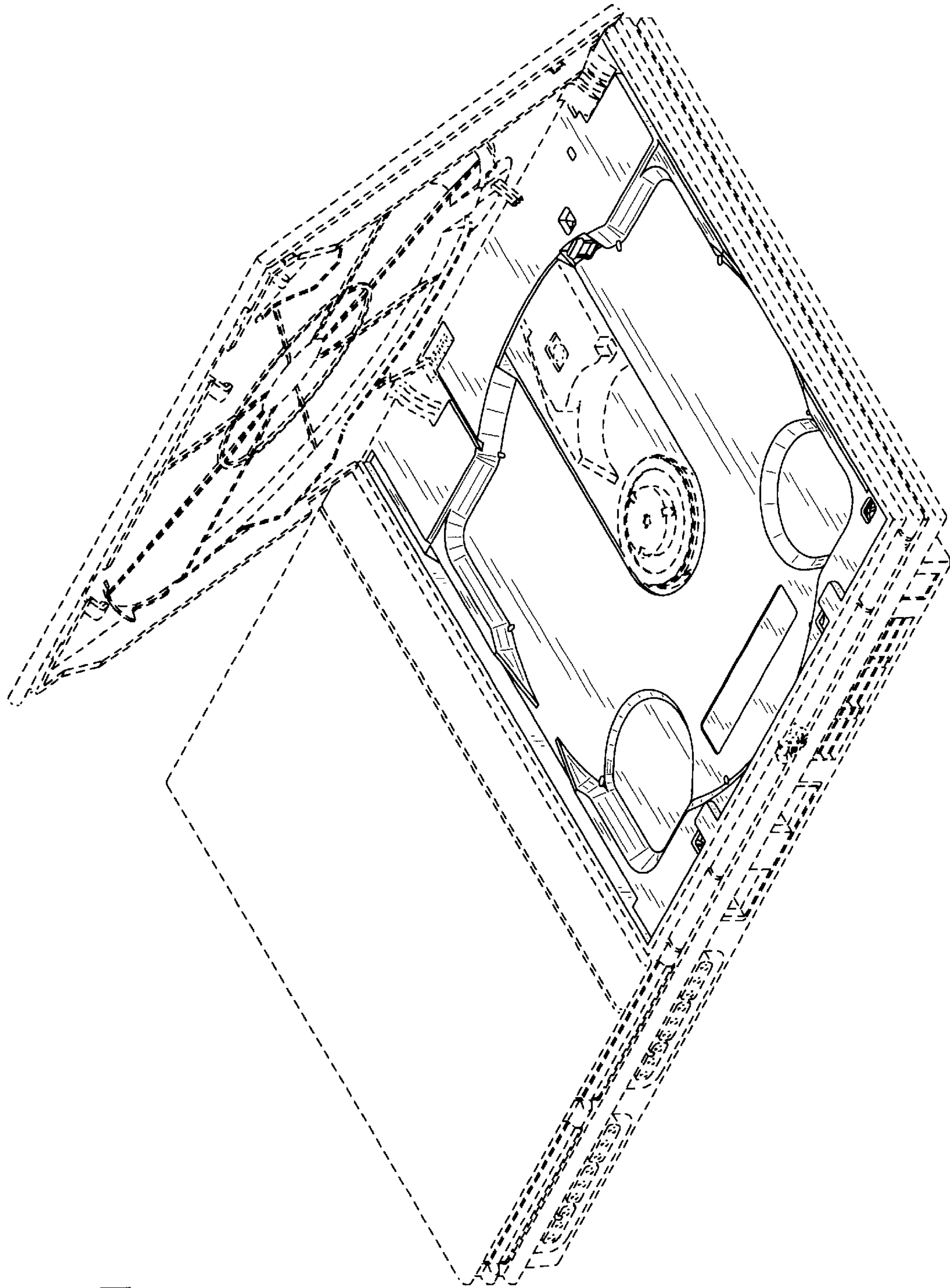


Fig.1

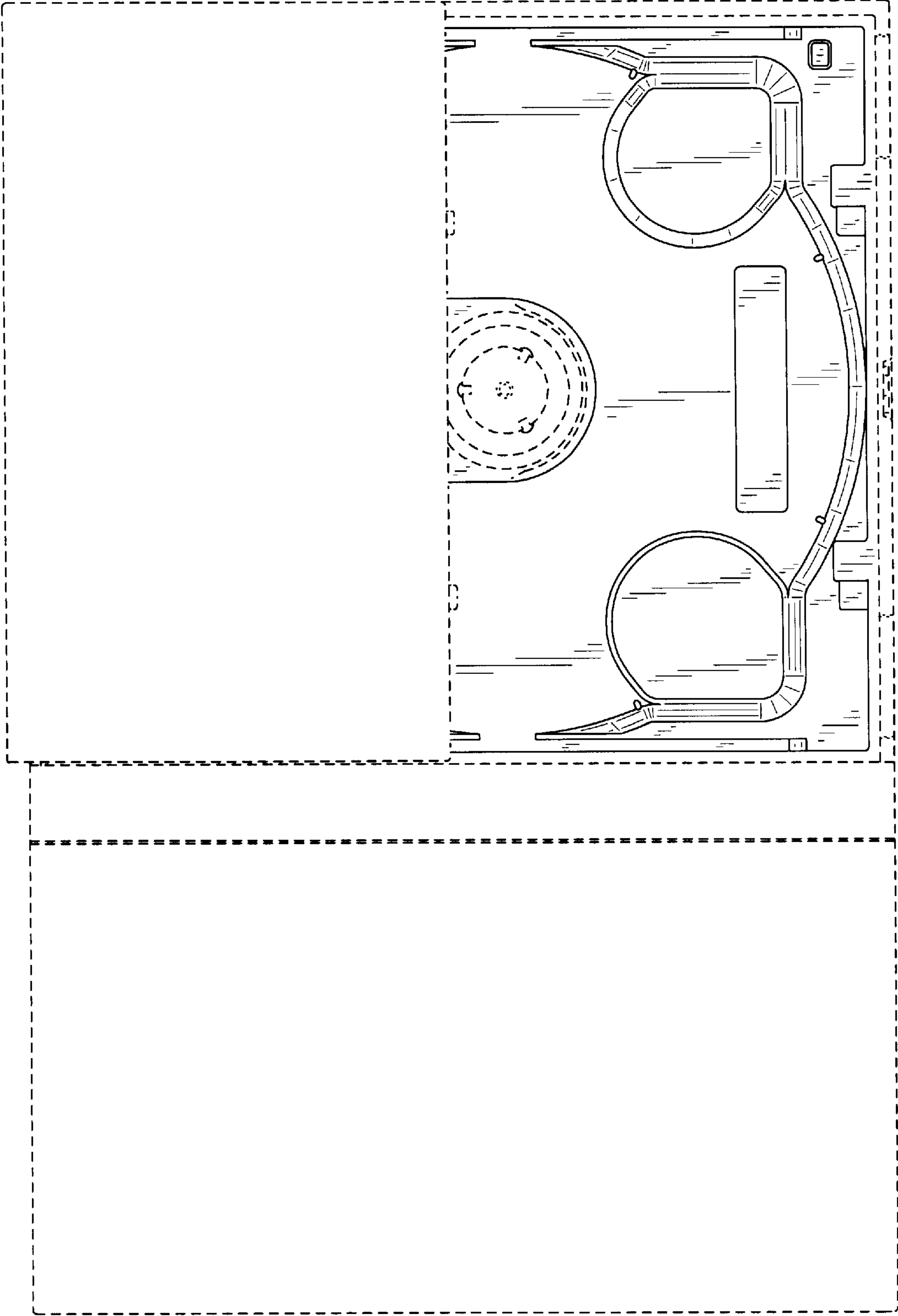


Fig.2



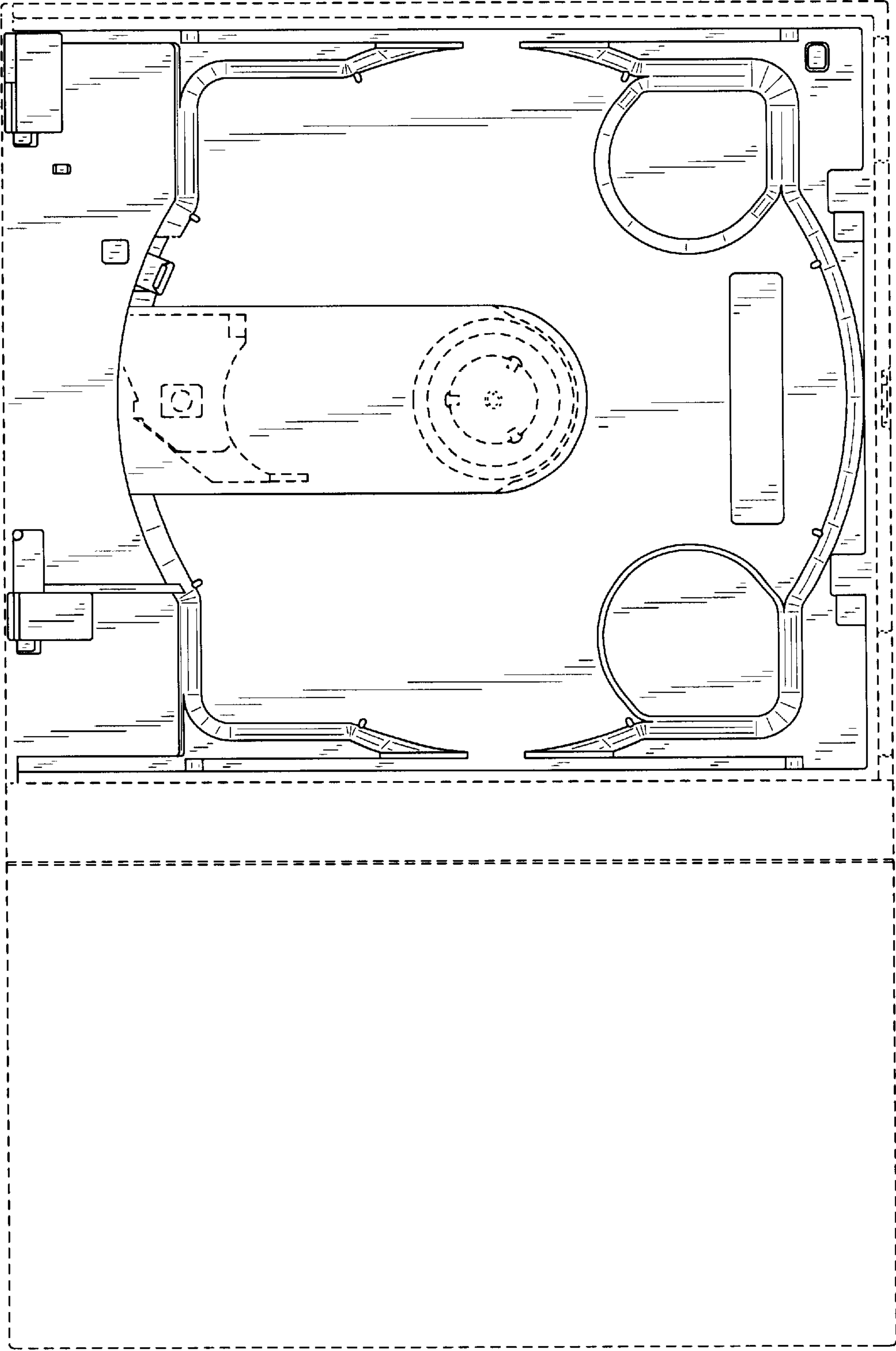


Fig.3