



US00D539274S

(12) **United States Design Patent**  
**Bourne et al.**

(10) **Patent No.:** **US D539,274 S**

(45) **Date of Patent:** **\*\* Mar. 27, 2007**

(54) **TELEPHONE CONFERENCING DEVICE**

(75) Inventors: **Christopher Bourne**, West Valley City, UT (US); **James Wright**, Salt Lake City, UT (US)

(73) Assignee: **ClearOne Communications, Inc.**, Salt Lake City, UT (US)

(\*\*) Term: **14 Years**

(21) Appl. No.: **29/227,612**

(22) Filed: **Apr. 13, 2005**

(51) **LOC (8) Cl.** ..... **14-03**

(52) **U.S. Cl.** ..... **D14/240**

(58) **Field of Classification Search** ..... D14/240,  
D14/242, 246, 192, 223, 140.1, 140.4, 356,  
D14/358; D13/184, 123; 181/129-130; 379/430,  
379/431, 433.01, 420.03, 957, 52, 106.1,  
379/333-337, 387.01, 399.01, 413.02, 413.04;  
455/569.1, 510, 524; 439/717

See application file for complete search history.

(56) **References Cited**

**U.S. PATENT DOCUMENTS**

D356,797 S \* 3/1995 Young ..... D14/240  
D363,722 S \* 10/1995 Aldridge et al. .... D14/242  
D367,042 S \* 2/1996 Morrow et al. .... D13/184  
D383,458 S \* 9/1997 Biasotti et al. .... D14/240

D413,021 S \* 8/1999 Wheatley et al. .... D14/240  
D453,153 S \* 1/2002 Yu et al. .... D14/240  
D460,753 S \* 7/2002 Hill et al. .... D14/240  
D471,542 S \* 3/2003 Sim ..... D14/240  
D483,353 S \* 12/2003 Hyogo ..... D14/240  
D510,343 S \* 10/2005 Wallace et al. .... D14/240

\* cited by examiner

*Primary Examiner*—Charles A. Rademaker

(74) *Attorney, Agent, or Firm*—Alison B. Mohr; Parsons Behle & Latimer

(57) **CLAIM**

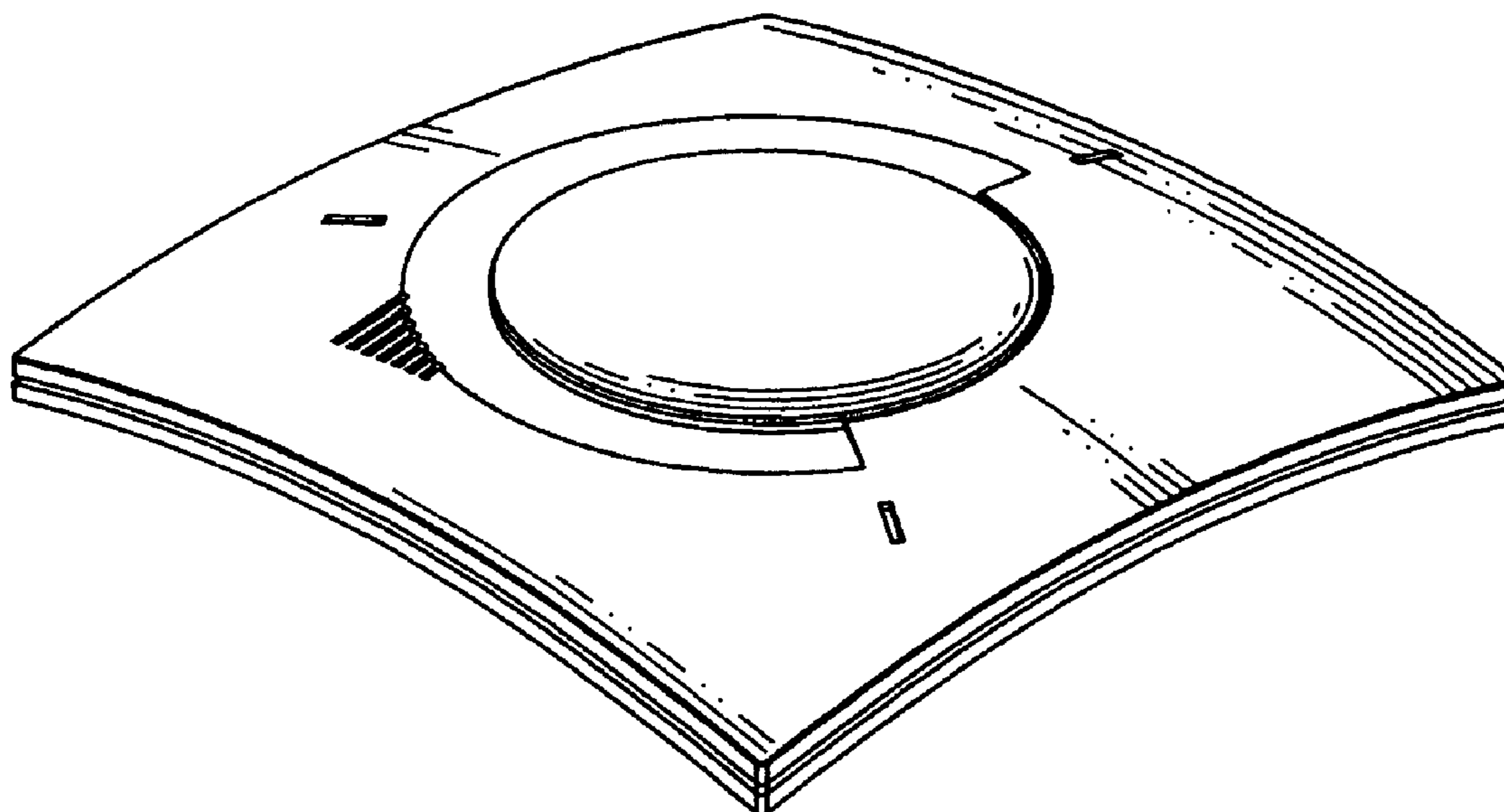
The ornamental design for a telephone conferencing device, as shown and described.

**DESCRIPTION**

FIG. 1 is a top perspective view of a telephone conferencing device showing our new design; FIG. 2 is a side elevation thereof; FIG. 3 is a side elevation of the side opposite that shown in FIG. 2; FIG. 4 is a front elevation thereof; FIG. 5 is a rear elevation thereof; and, FIG. 6 is a top plan view thereof.

The portions of the Device shown in the figures in broken lines are for illustrative purposes and form no part of the claimed design.

**1 Claim, 2 Drawing Sheets**



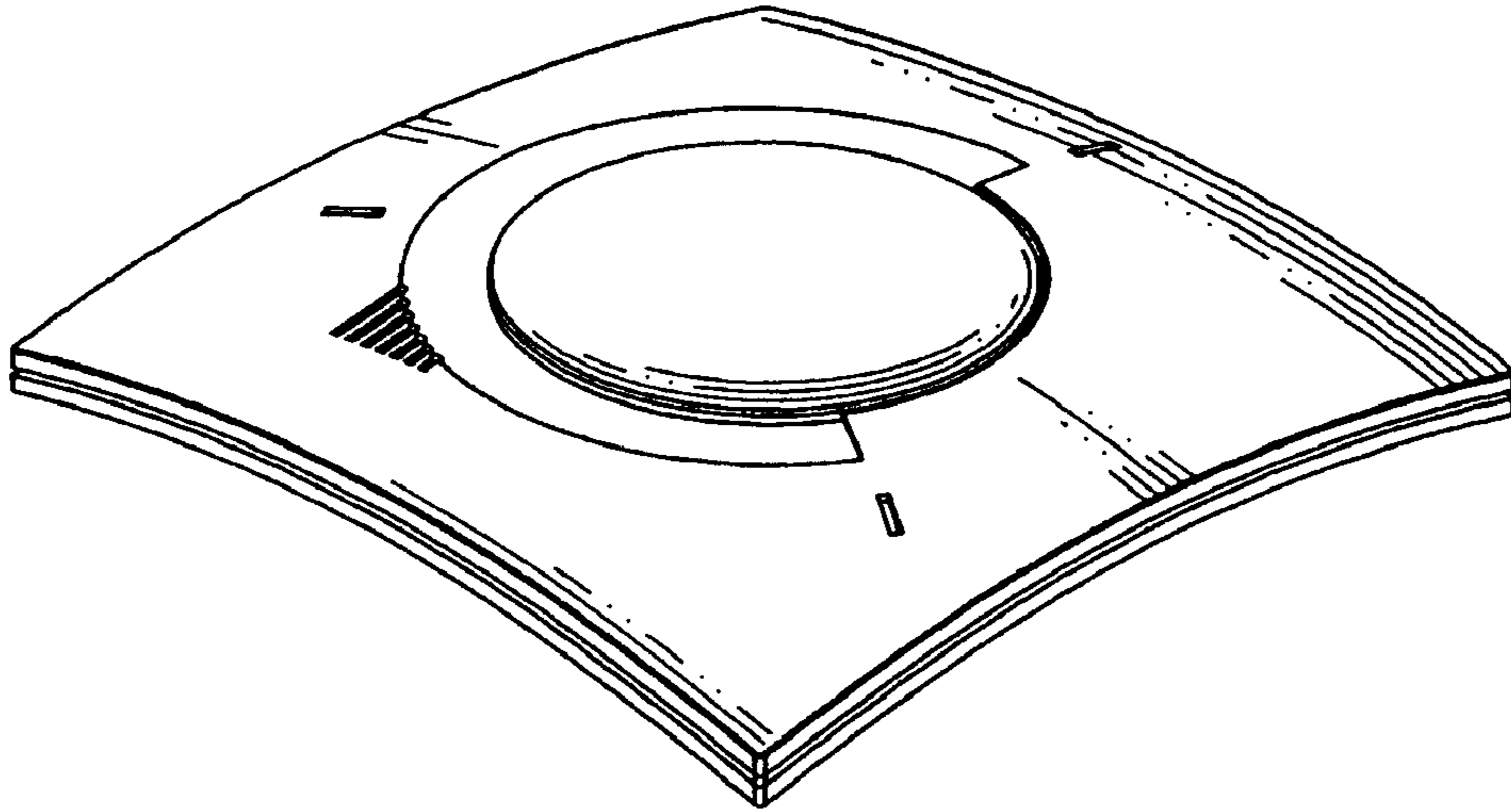


Fig. 1

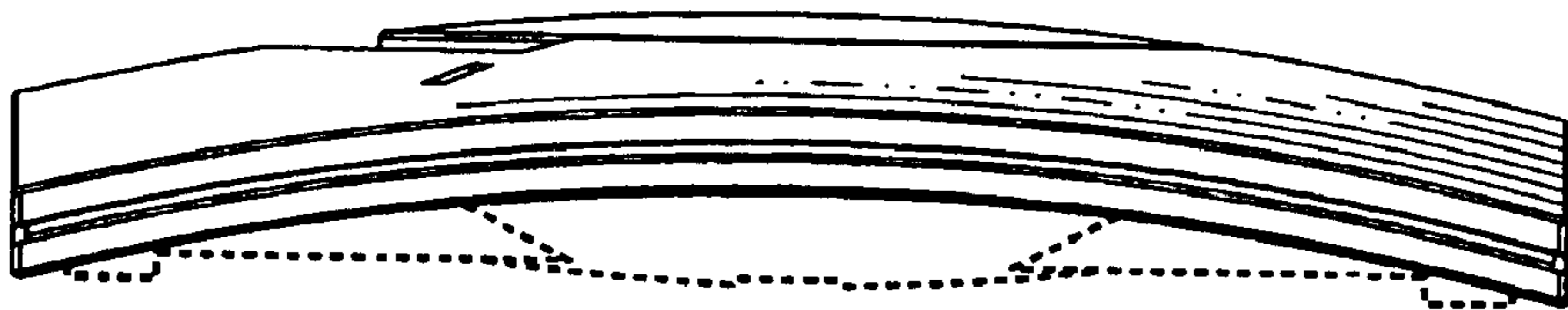


Fig. 2

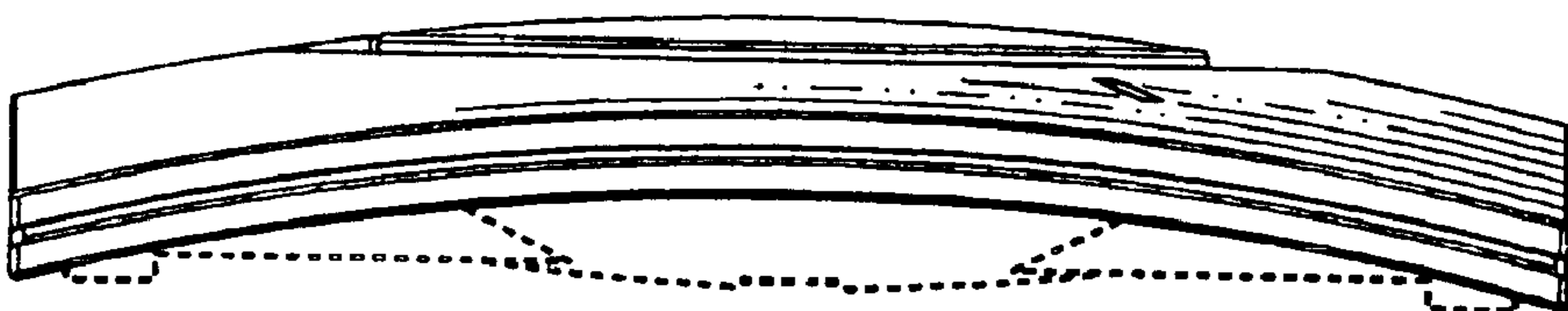


Fig. 3

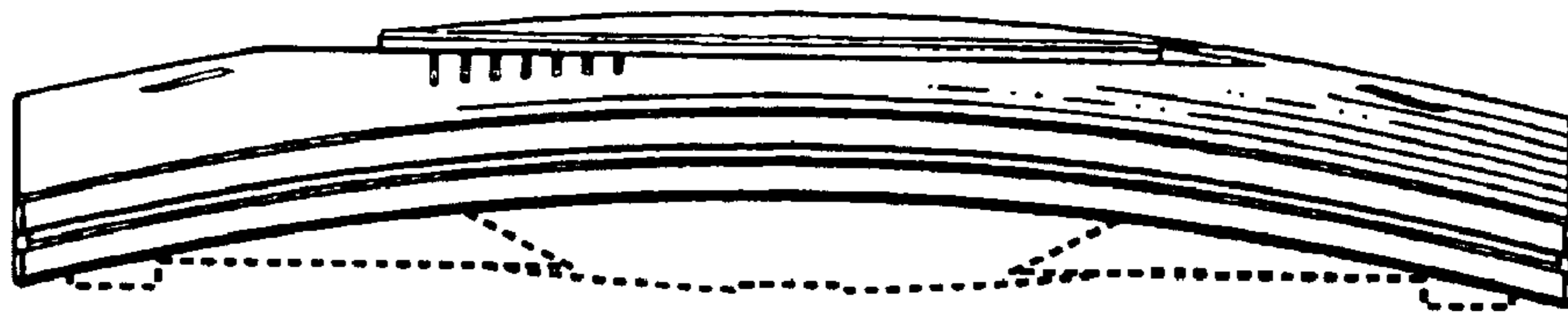


Fig. 4

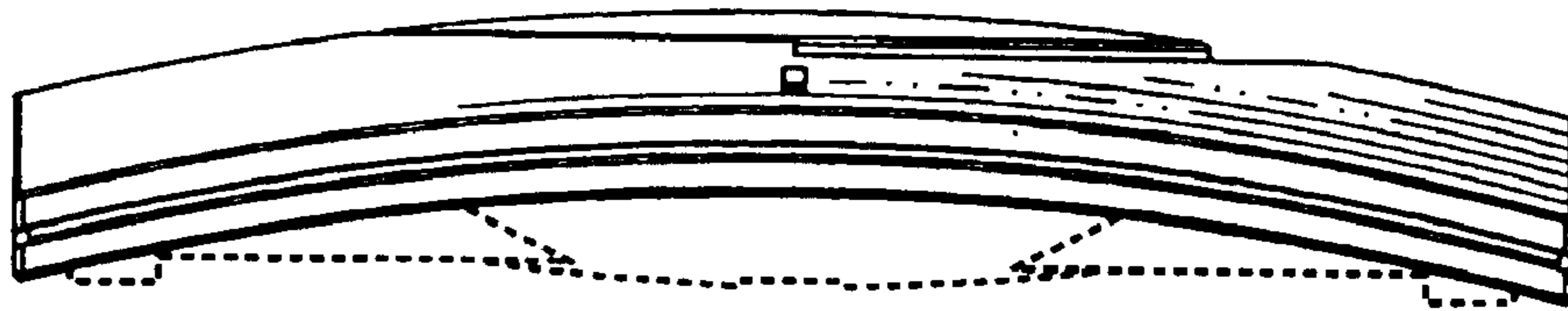


Fig. 5

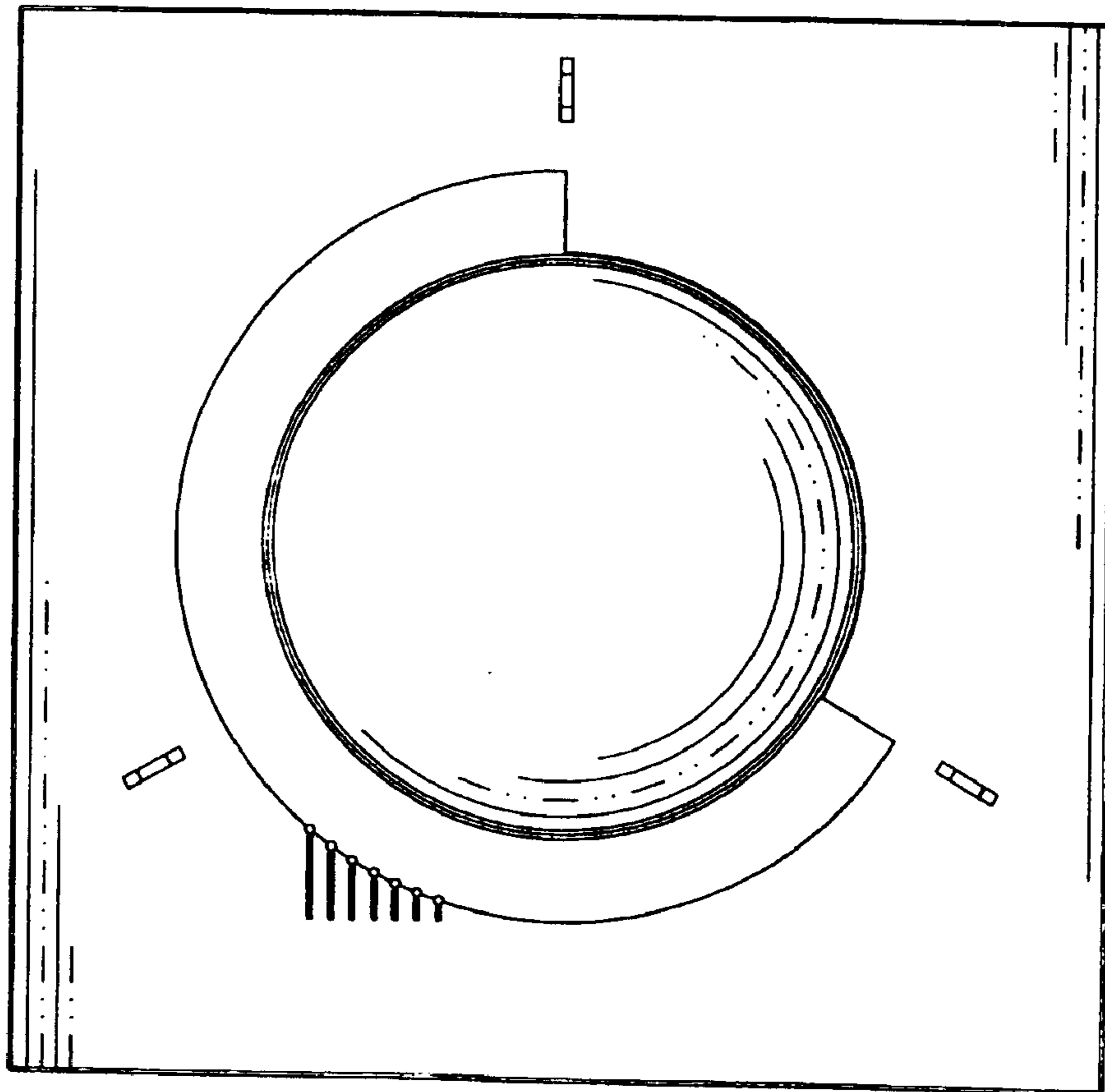


Fig. 6