



US00D539270S

(12) **United States Design Patent**
Leung et al.

(10) **Patent No.:** **US D539,270 S**
(45) **Date of Patent:** **** Mar. 27, 2007**

(54) **LOUDSPEAKER**

(75) Inventors: **Wei Lit Wilfred Leung**, Singapore (SG); **Kin Fui Chong**, Singapore (SG); **Kar Choon Ng**, Singapore (SG)

(73) Assignee: **Creative Technology Ltd**, Singapore (SG)

(**) Term: **14 Years**

(21) Appl. No.: **29/251,117**

(22) Filed: **Jan. 3, 2006**

(51) **LOC (8) Cl.** **14-01**

(52) **U.S. Cl.** **D14/211**

(58) **Field of Classification Search** D14/204,
D14/207, 209–216, 496; 181/143–144, 147–148,
181/150, 157, 198–199, 151, 153; 381/300–302,
381/306, 333, 345, 361–364, 386–388, 332,
381/336

See application file for complete search history.

(56) **References Cited**

U.S. PATENT DOCUMENTS

D328,901 S	*	8/1992	Haruyama	D14/216
D382,270 S	*	8/1997	Matsuoka	D14/214
D424,059 S	*	5/2000	Coleman	D14/215
D494,565 S	*	8/2004	Yao	D14/215
D506,745 S		6/2005	Sitoh		
D507,559 S		7/2005	Sitoh		

OTHER PUBLICATIONS

AMAZON.COM web site featuring Altec Lansing 2100 2.1 Computer Speakers (3–Speaker, Black & Silver) for sale, Date first available for sale on Amazon: May 14, 2003, 3 pages.

AMAZON.COM web site featuring Harman Kardon Champagne 2.1 Computer Speakers (3–Speaker, Burgundy) for sale, Date first available for sale on Amazon: Jun. 21, 2002, 3 pages.

AMAZON.COM web site featuring TDK S150 Tremor 2.1 Computer Speakers (3–Speaker, Black) for sale, Date first available for sale on Amazon: Apr. 8, 2002, 3 pages.

* cited by examiner

Primary Examiner—Nanda Bondade

(74) *Attorney, Agent, or Firm*—P. Francois de Villiers

(57) **CLAIM**

The ornamental design for a loudspeaker, substantially as shown and described.

DESCRIPTION

FIG. 1 is a perspective view of a loudspeaker in accordance with the present design;

FIG. 2 is a front view of the loudspeaker, as shown in FIG. 1;

FIG. 3 is a rear view of the loudspeaker as shown in FIG. 1;

FIG. 4 is a left side view of the loudspeaker as shown in FIG. 1;

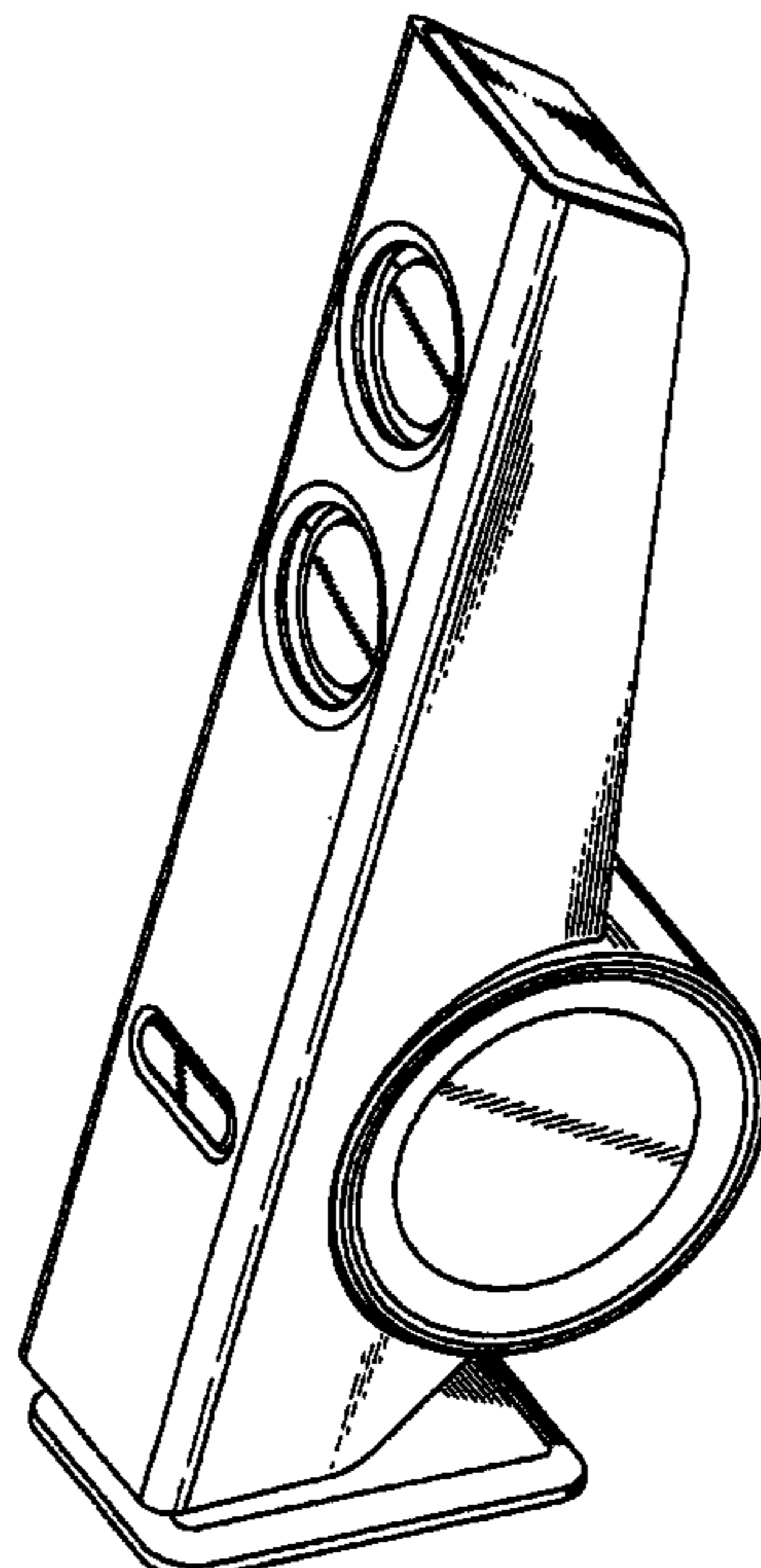
FIG. 5 is a right side view of the loudspeaker as shown in FIG. 1;

FIG. 6 is a bottom view of the loudspeaker as shown in FIG. 1; and,

FIG. 7 is a top view of the loudspeaker as shown in FIG. 1.

The broken line showing on the drawing disclosure is for illustrative purposes only and forms no part of the claimed design.

1 Claim, 4 Drawing Sheets



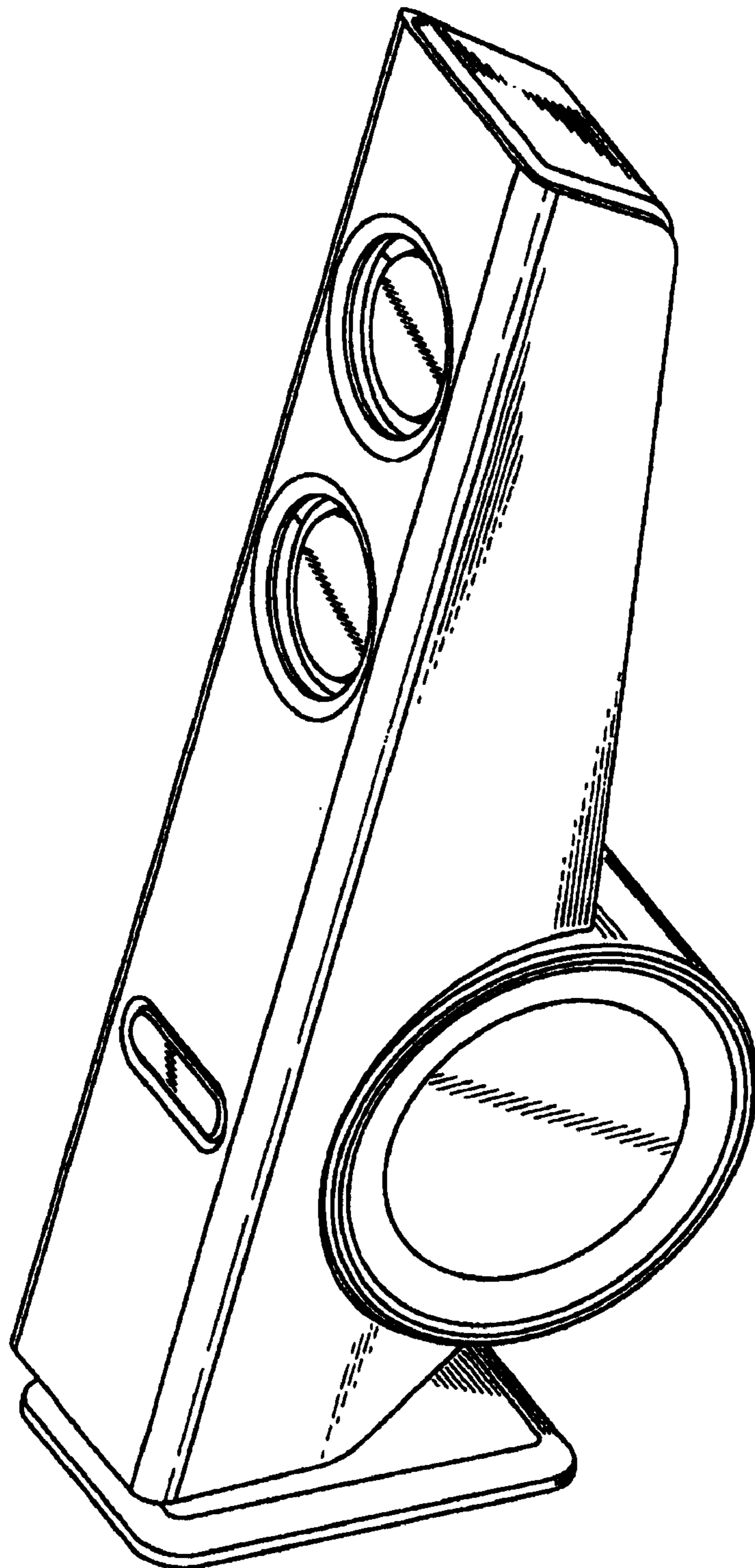


FIG. 1

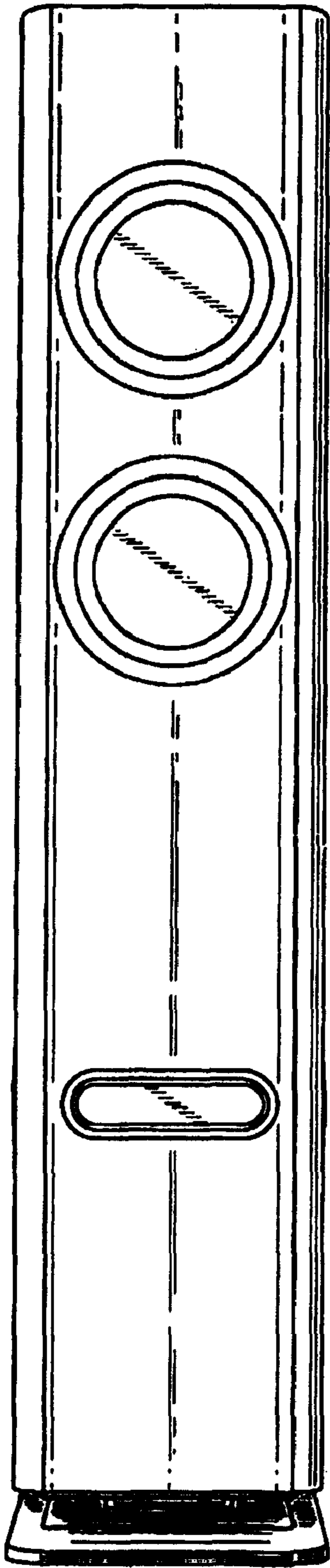


FIG. 2

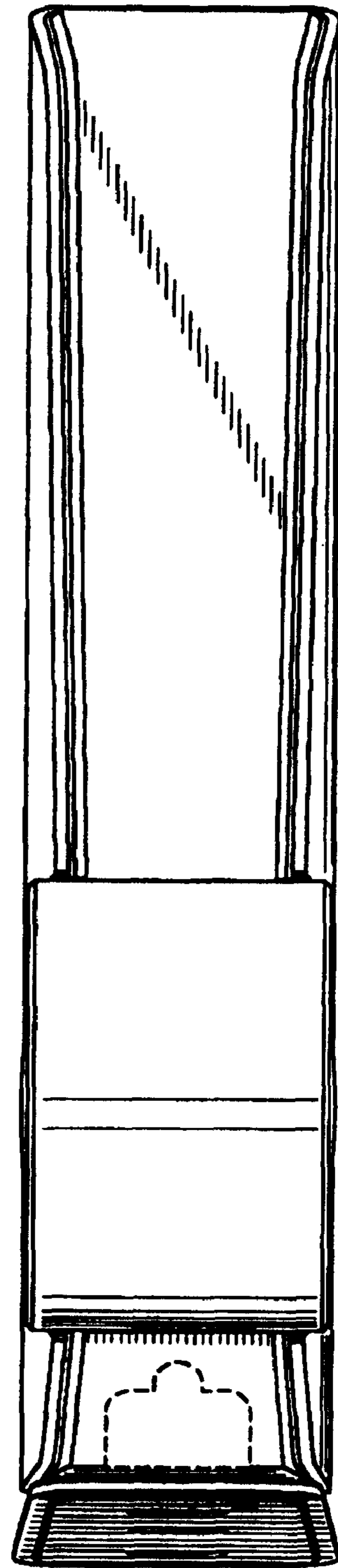


FIG. 3

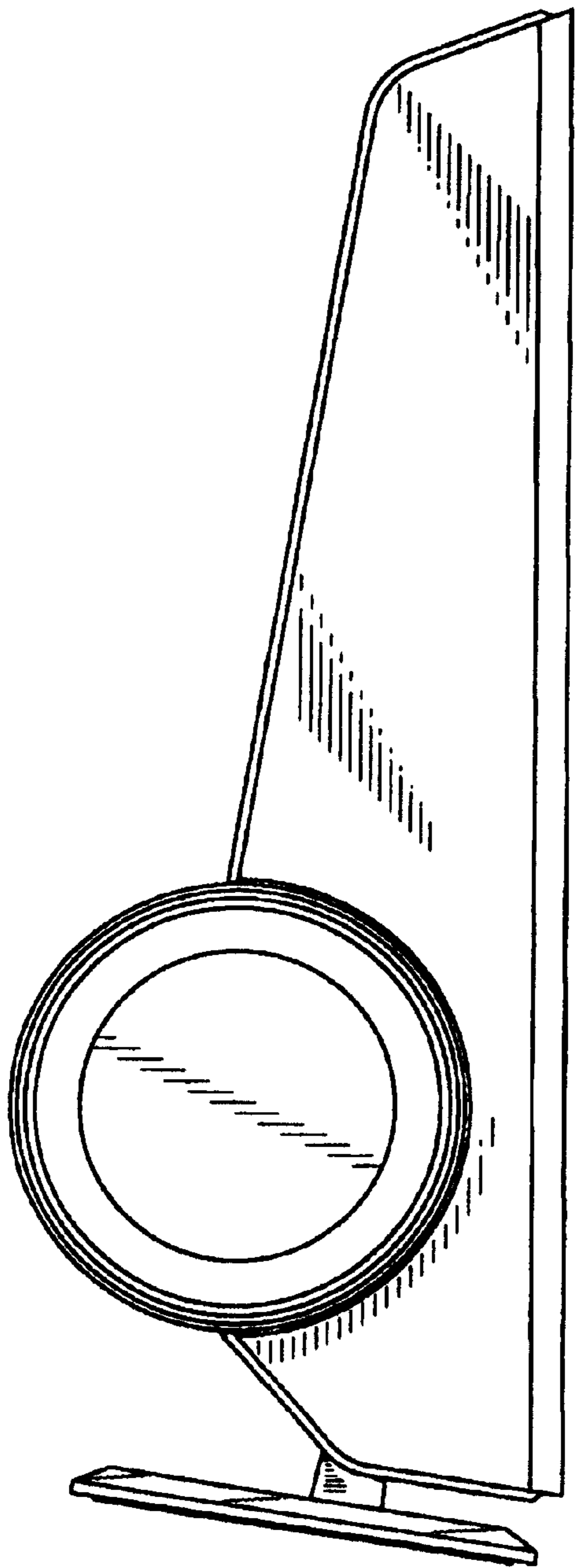


FIG. 4

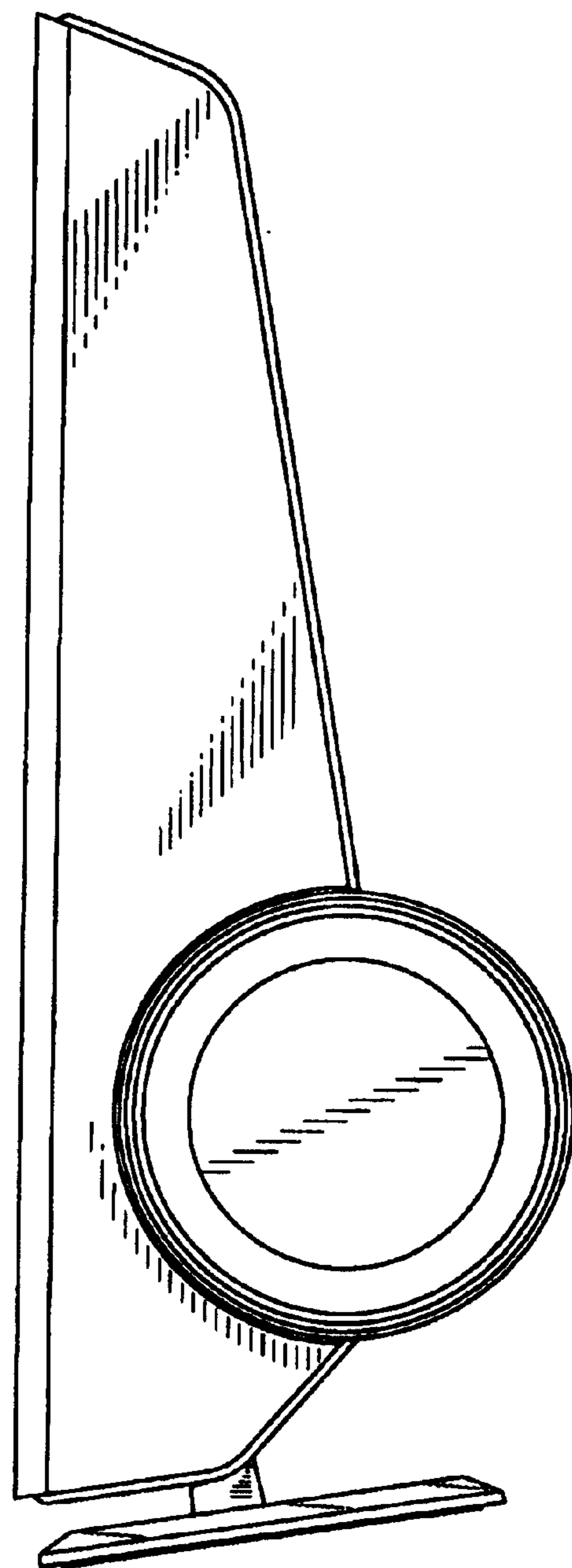


FIG. 5

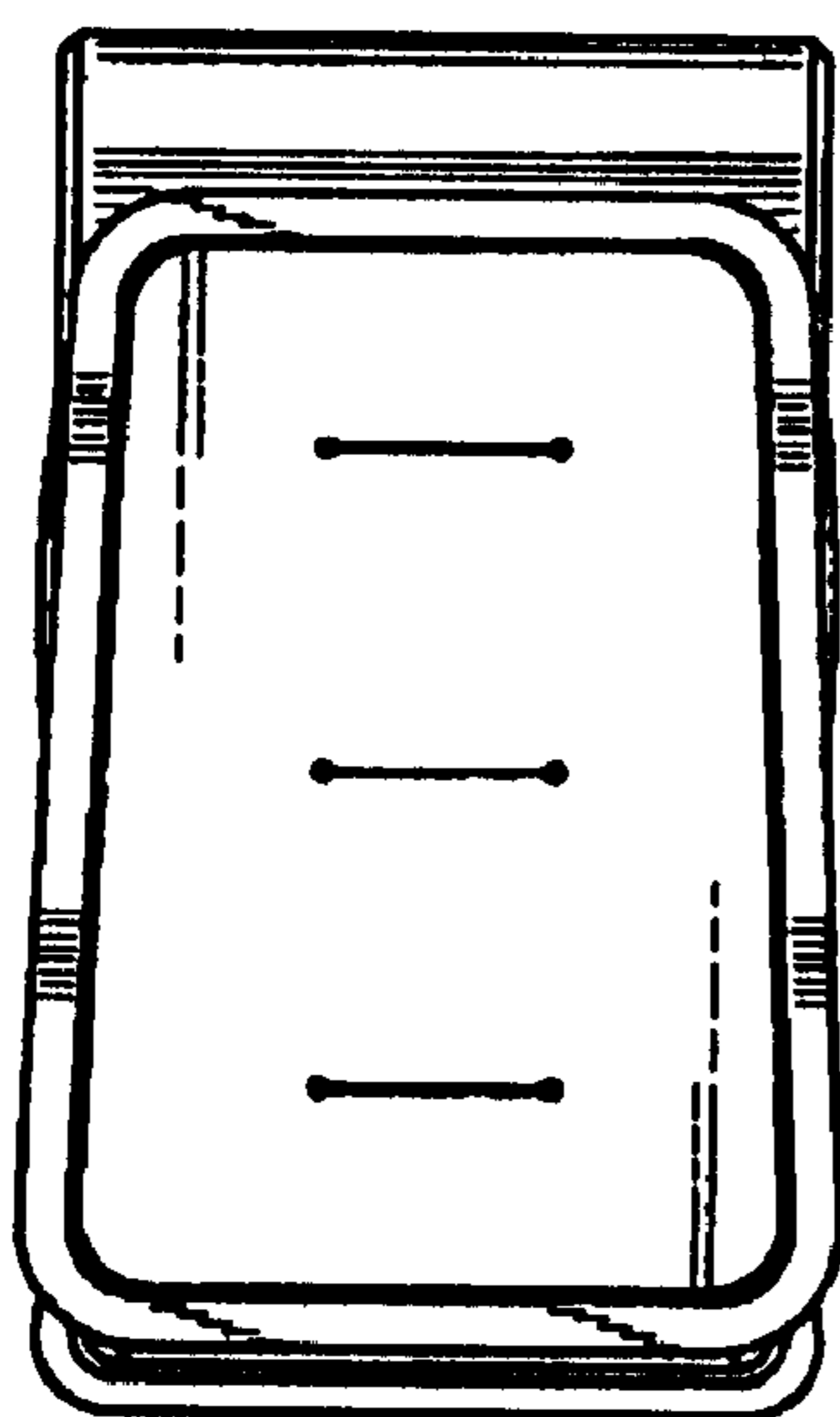


FIG. 6

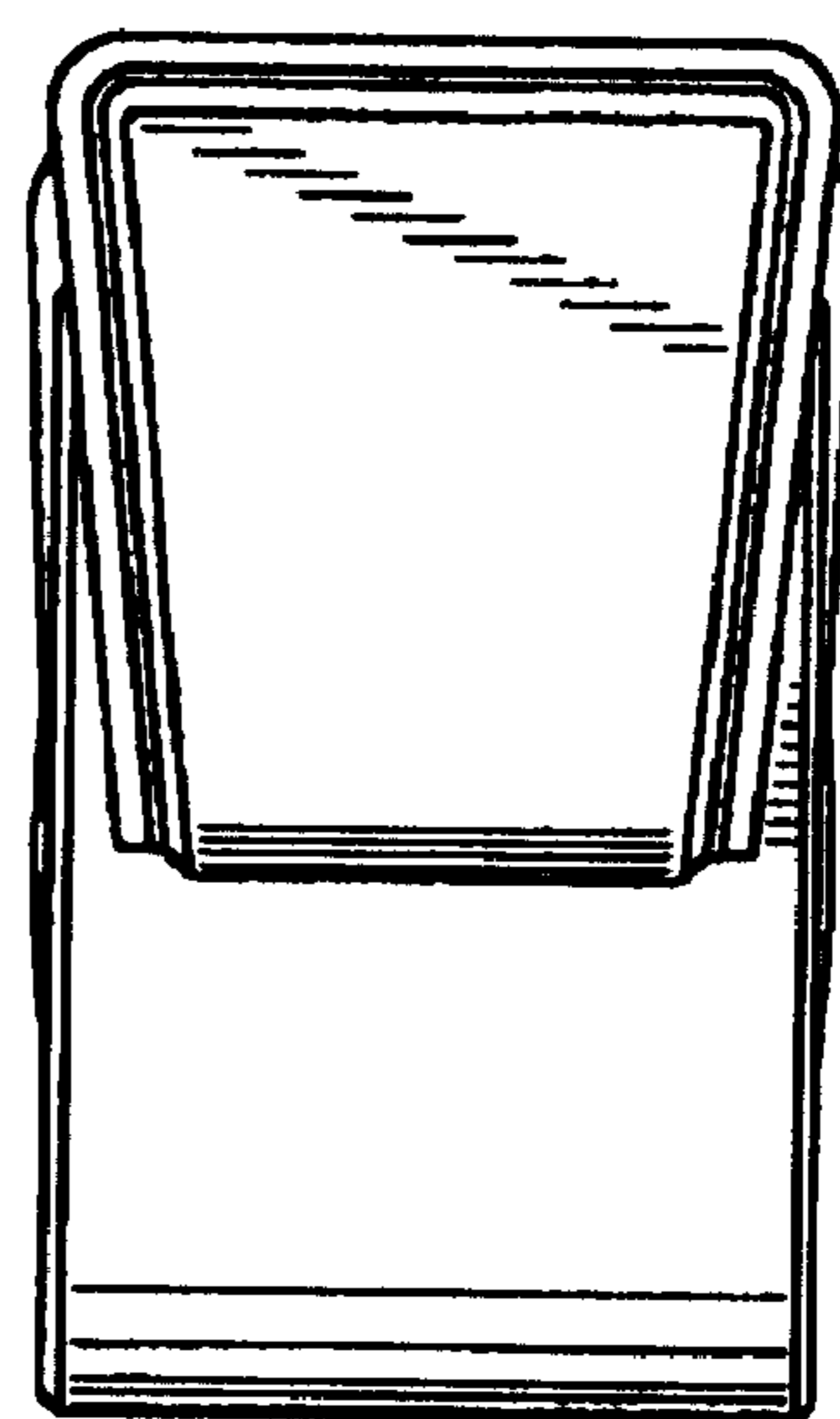


FIG. 7