



US00D539265S

(12) **United States Design Patent**  
**Tompkins et al.**

(10) **Patent No.:** **US D539,265 S**

(45) **Date of Patent:** **\*\* Mar. 27, 2007**

(54) **PILL-SHAPED ON-PREMISES ELECTRONIC PAGER**

(76) Inventors: **Jessica Tompkins**, c/o Target Brands, Inc., 1000 Nicollet Mall, Minneapolis, MN (US) 54403; **Erin Hassett**, c/o Target Brands, Inc., 1000 Nicollet Mall, Minneapolis, MN (US) 54403; **William Livigne**, c/o Target Brands, Inc., 1000 Nicollet Mall, Minneapolis, MN (US) 55403; **Paul Estenson**, 4645 Eastwood Rd., Minnetonka, MN (US) 55345; **Daniel Tompkins**, 4949 Clear Springs Rd., Minnetonka, MN (US) 55345; **Philip Remedios**, 725 Prior Pl., Palm Harbor, FL (US) 34683; **Robert Vasquez**, 8025 SW. Yachtsmans Dr., Stuart, FL (US) 34997

(\*\*) Term: **14 Years**

(21) Appl. No.: **29/211,166**

(22) Filed: **Aug. 11, 2004**

(Under 37 CFR 1.47)

(51) **LOC (8) Cl.** ..... **14-03**

(52) **U.S. Cl.** ..... **D14/191; D14/189**

(58) **Field of Classification Search** ..... D14/191-194, D14/188, 189, 168, 196, 204, 137, 155, 159; 340/7.1, 7.2, 7.21-7.28, 539.13, 539.14, 340/311.2, 313, 7.63; 455/3.01, 3.05, 90.1-90.3, 455/344-351, 95; D9/428, 423, 424  
See application file for complete search history.

(56) **References Cited**

**U.S. PATENT DOCUMENTS**

3,545,659	A	*	12/1970	Libby	.....	224/615
D262,497	S	*	1/1982	Chan	.....	D3/229
4,534,467	A	*	8/1985	Rathbun	.....	206/530
4,744,461	A	*	5/1988	Lapham	.....	206/5
D317,526	S	*	6/1991	Lapham	.....	D3/265
5,814,968	A	*	9/1998	Lovegreen et al.	.....	320/113
D409,196	S	*	5/1999	Wicks	.....	D14/191

D428,433	S	*	7/2000	Ho	.....	D21/513
D452,611	S	*	1/2002	Redgrave	.....	D3/264
D519,489	S	*	4/2006	Joseph	.....	D14/191
D520,490	S	*	5/2006	Tompkins et al.	.....	D14/191
D523,416	S	*	6/2006	Tompkins et al.	.....	D14/191

\* cited by examiner

*Primary Examiner*—Prabhakar Deshmukh

(74) *Attorney, Agent, or Firm*—Morgan Lewis & Bockius LLP

(57) **CLAIM**

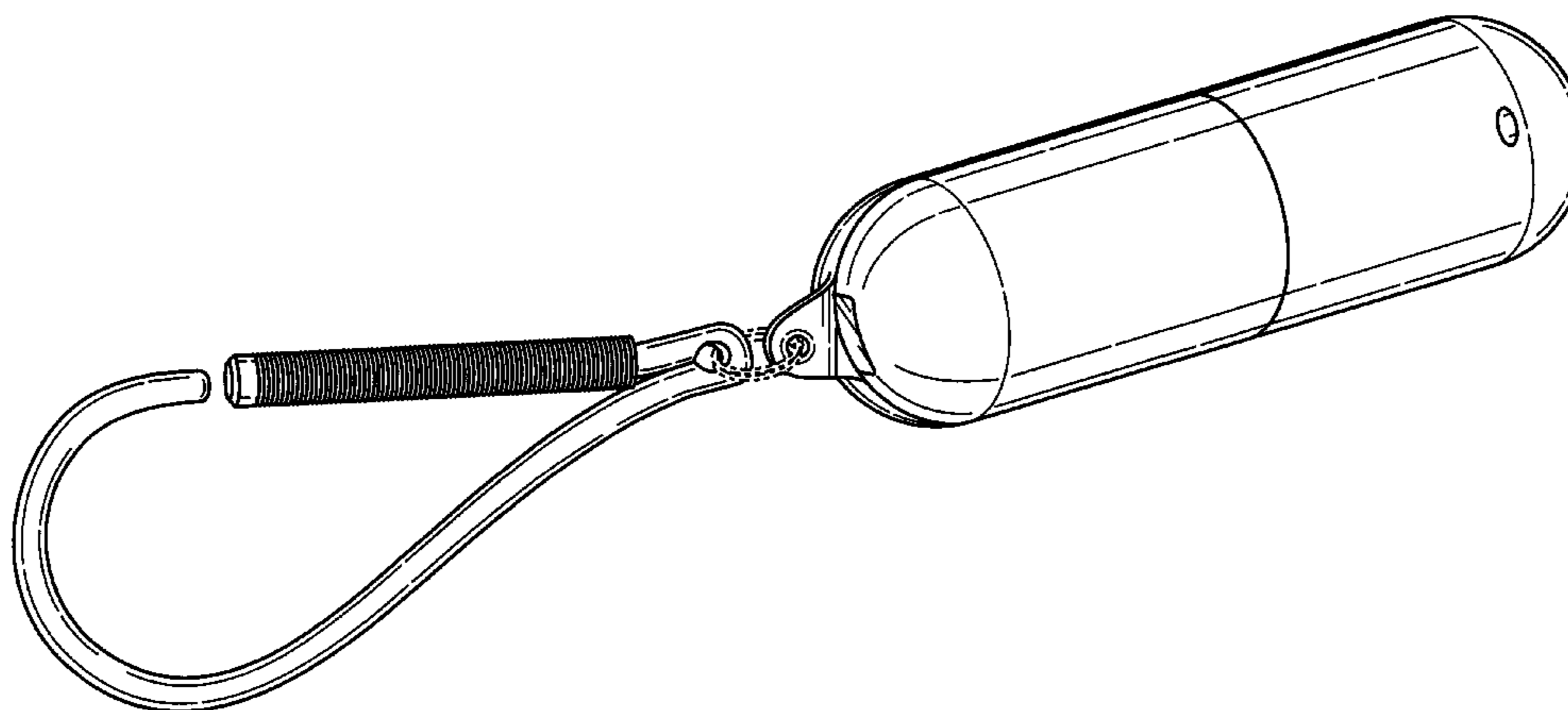
The ornamental design for a pill-shaped on-premises electronic pager, as shown and described.

**DESCRIPTION**

FIG. 1 is a front perspective view of a pill-shaped on-premises electronic pager in accordance with the invention; FIG. 2 is a front view of a pill-shaped on-premises electronic pager; FIG. 3 is a rear view of a pill-shaped on-premises electronic pager; FIG. 4 is a top view of a pill-shaped on-premises electronic pager; FIG. 5 is a bottom view of a pill-shaped on-premises electronic pager; and FIG. 6 is a left side view of a pill-shaped on-premises electronic pager; FIG. 7 is a right side view of a pill-shaped on-premises electronic pager; FIG. 8 is a front perspective view of a pill-shaped on-premises electronic pager; FIG. 9 is a front view of a pill-shaped on-premises electronic pager; FIG. 10 is a rear view of a pill-shaped on-premises electronic pager; FIG. 11 is a top view of a pill-shaped on-premises electronic pager; FIG. 12 is a bottom view of a pill-shaped on-premises electronic pager; FIG. 13 is a left side view of a pill-shaped on-premises electronic pager; and, FIG. 14 is a right side view of a pill-shaped on-premises electronic pager.

The broken lines are for illustrative purpose only and form no part of the claimed design.

**1 Claim, 8 Drawing Sheets**



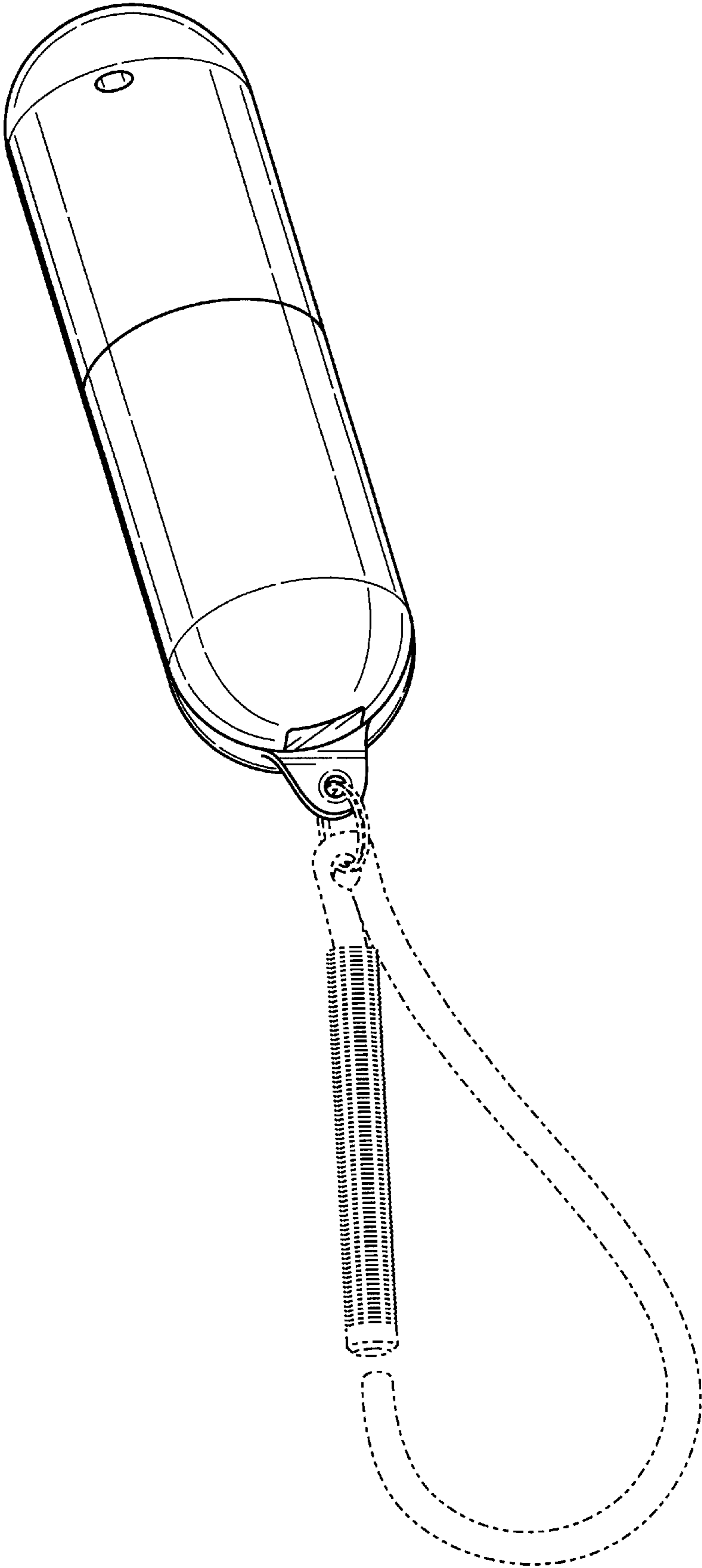


FIG. 1

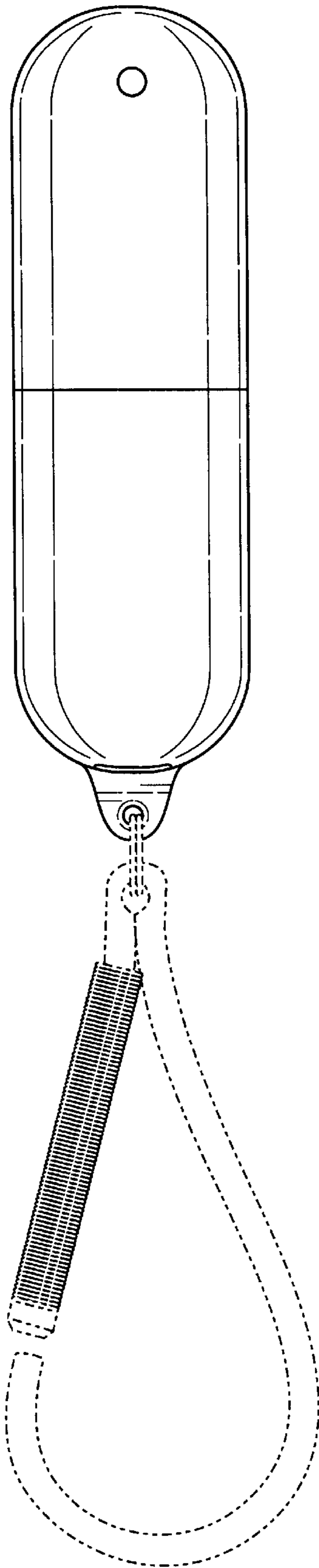


FIG. 2

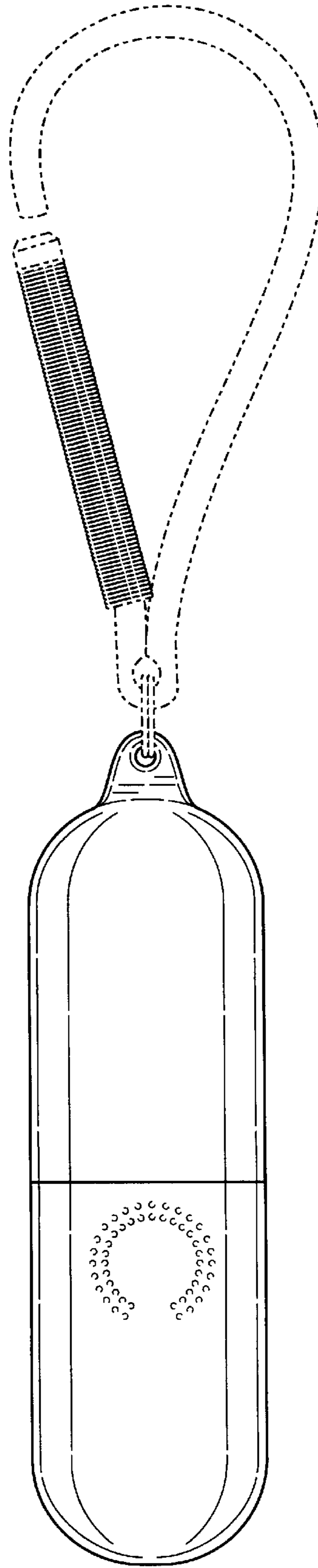


FIG. 3

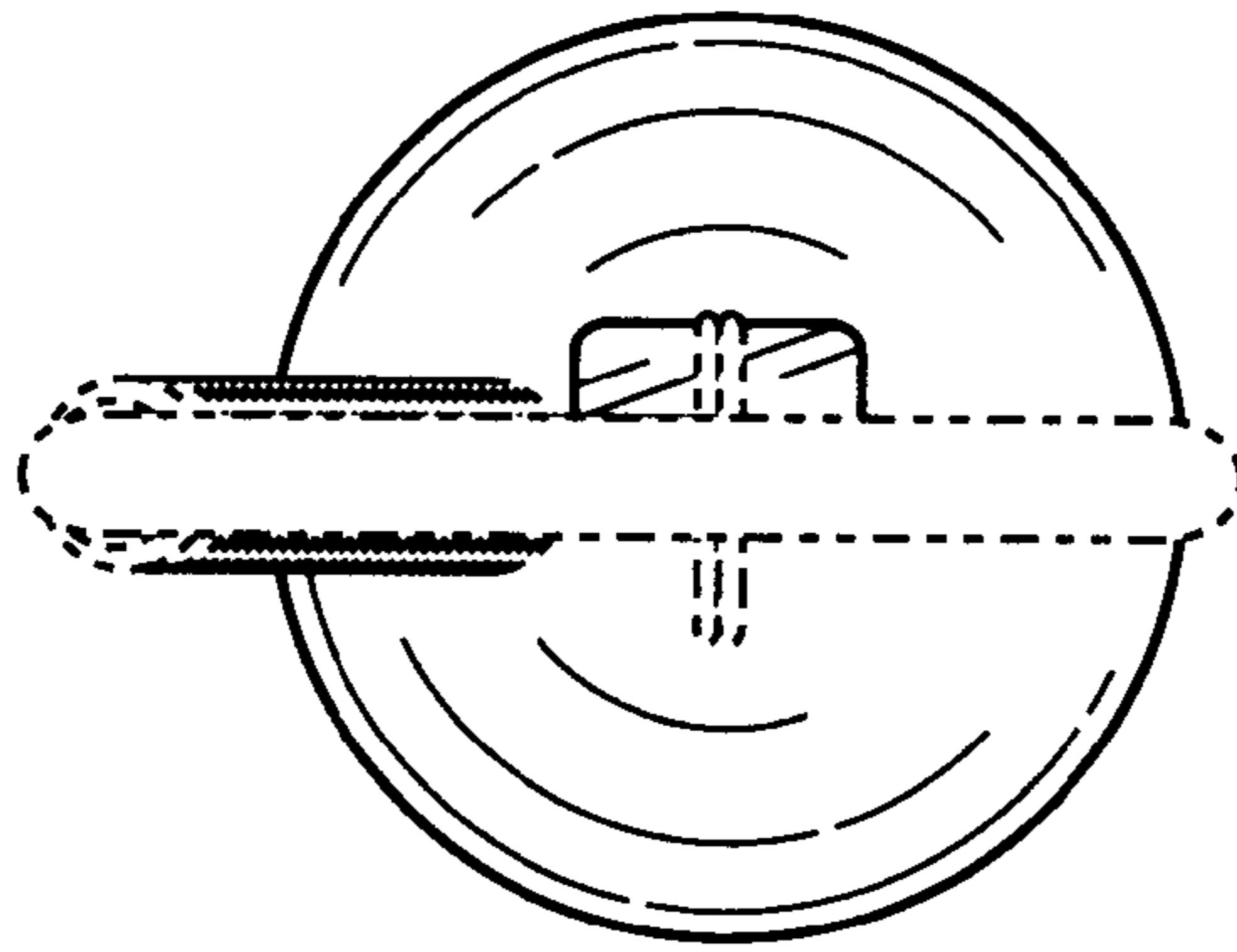


FIG. 5

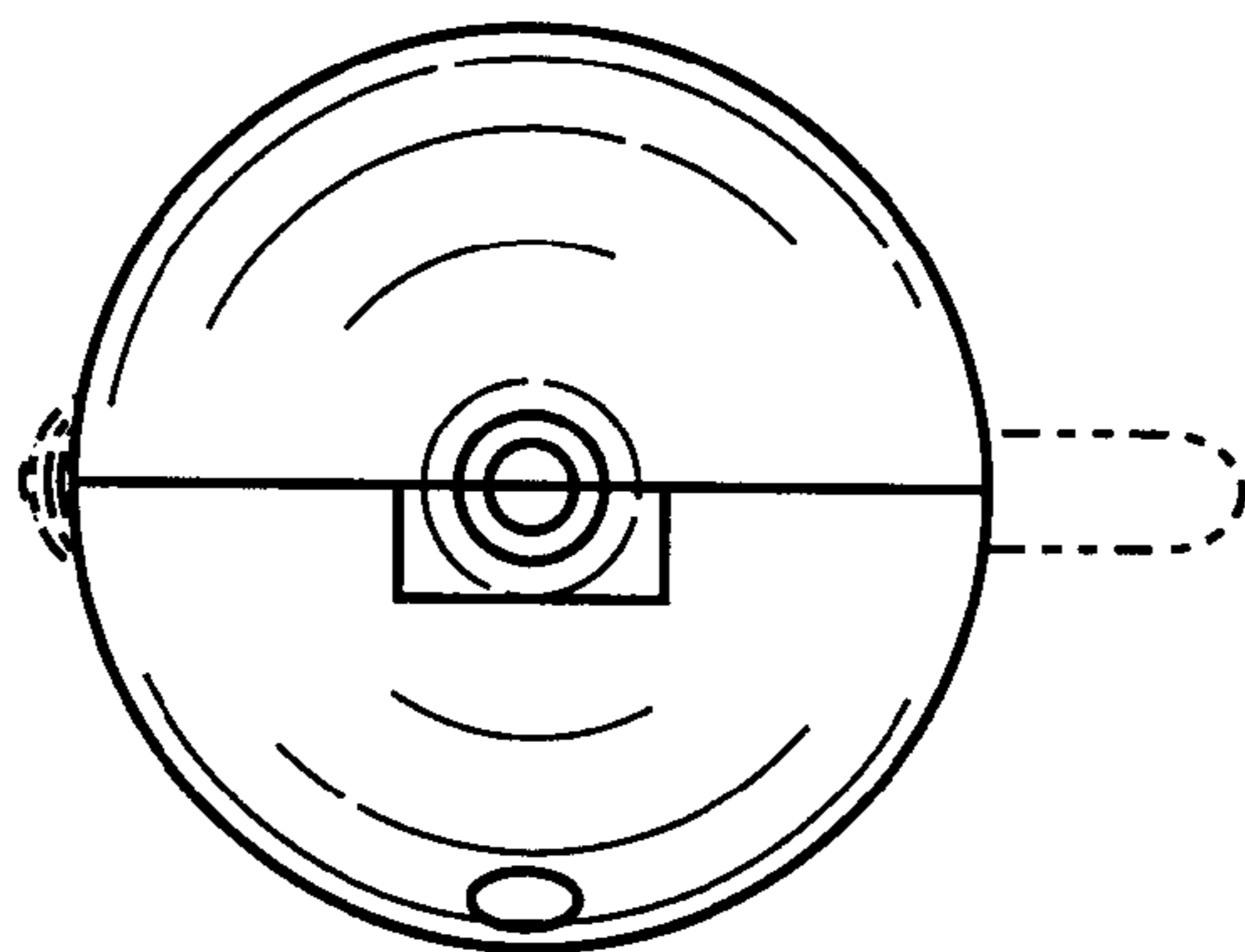


FIG. 4

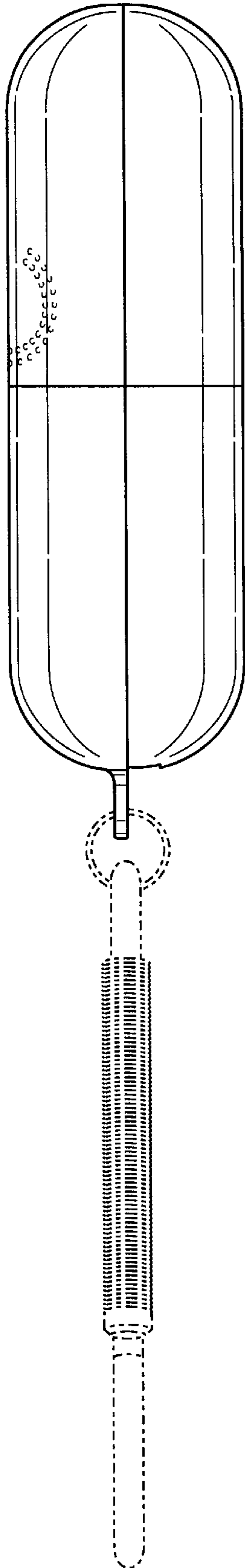


FIG. 6

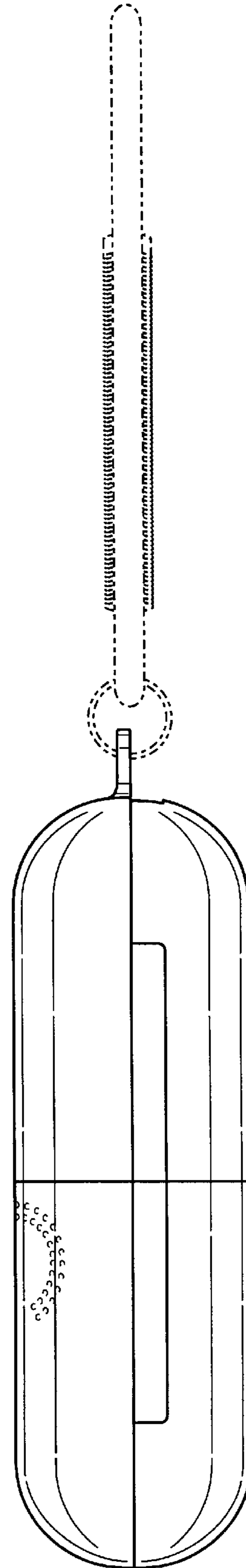


FIG. 7

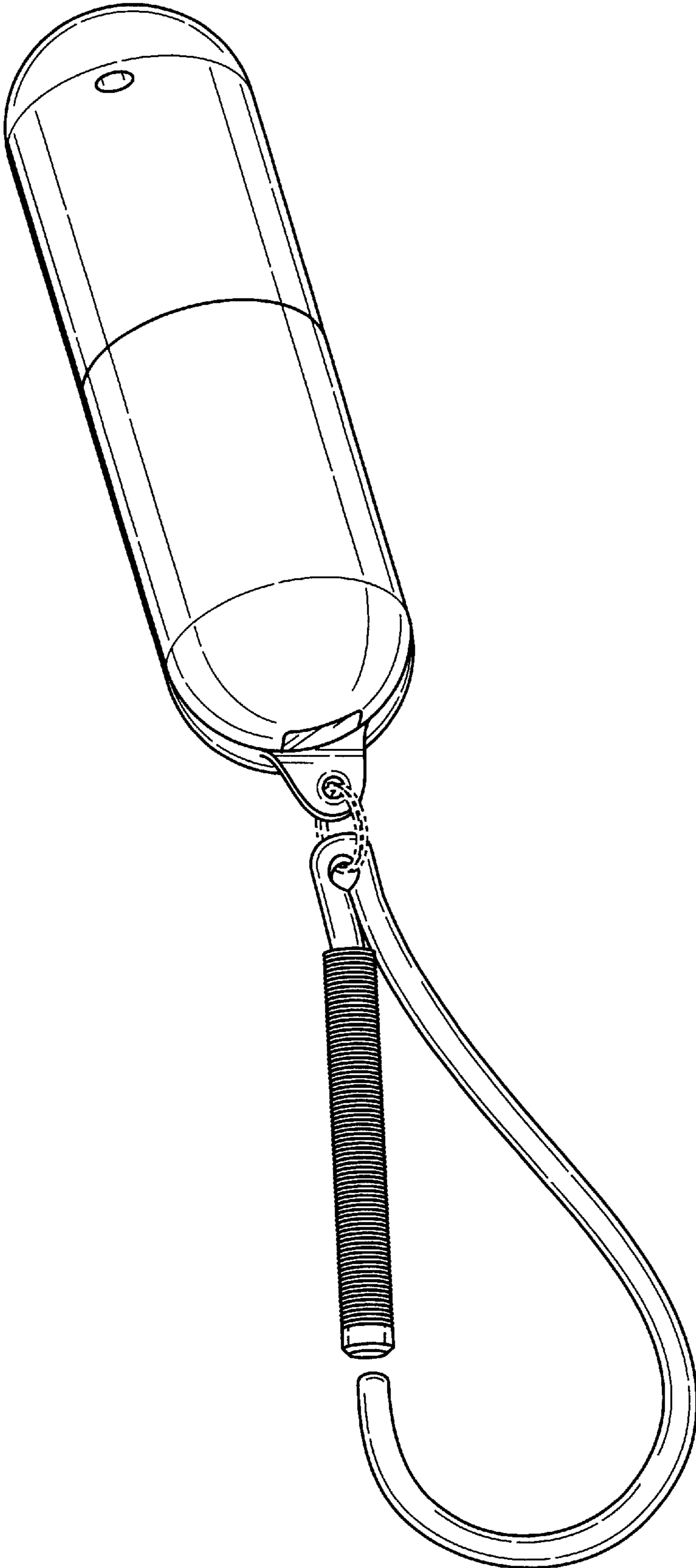


FIG. 8

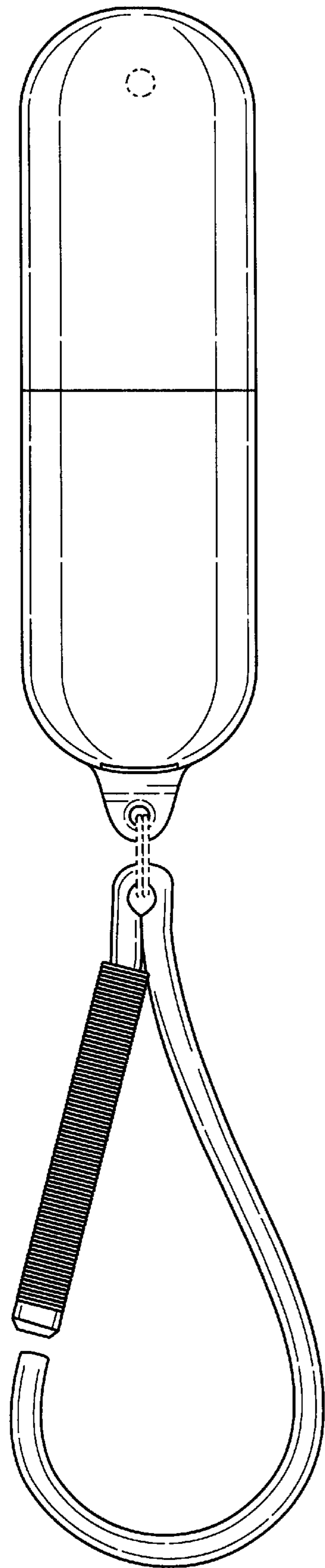


FIG. 9

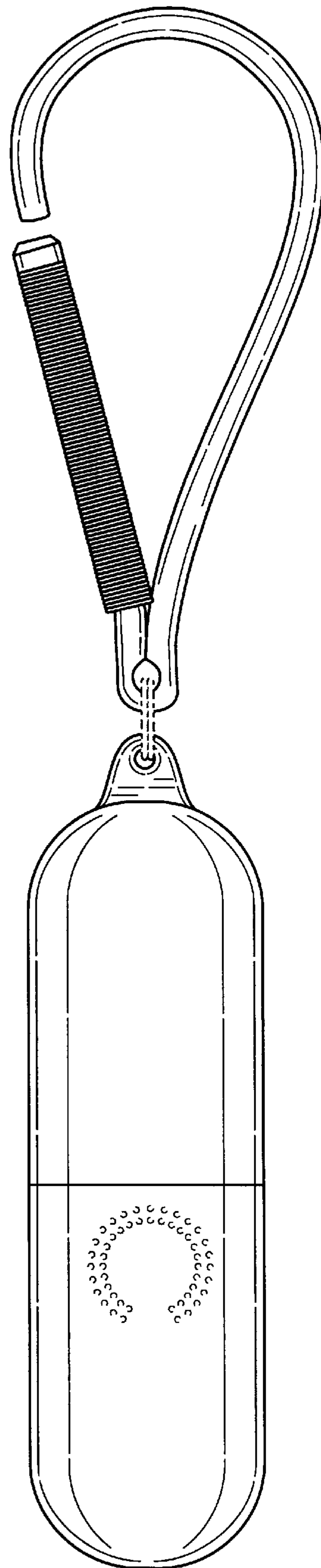


FIG. 10

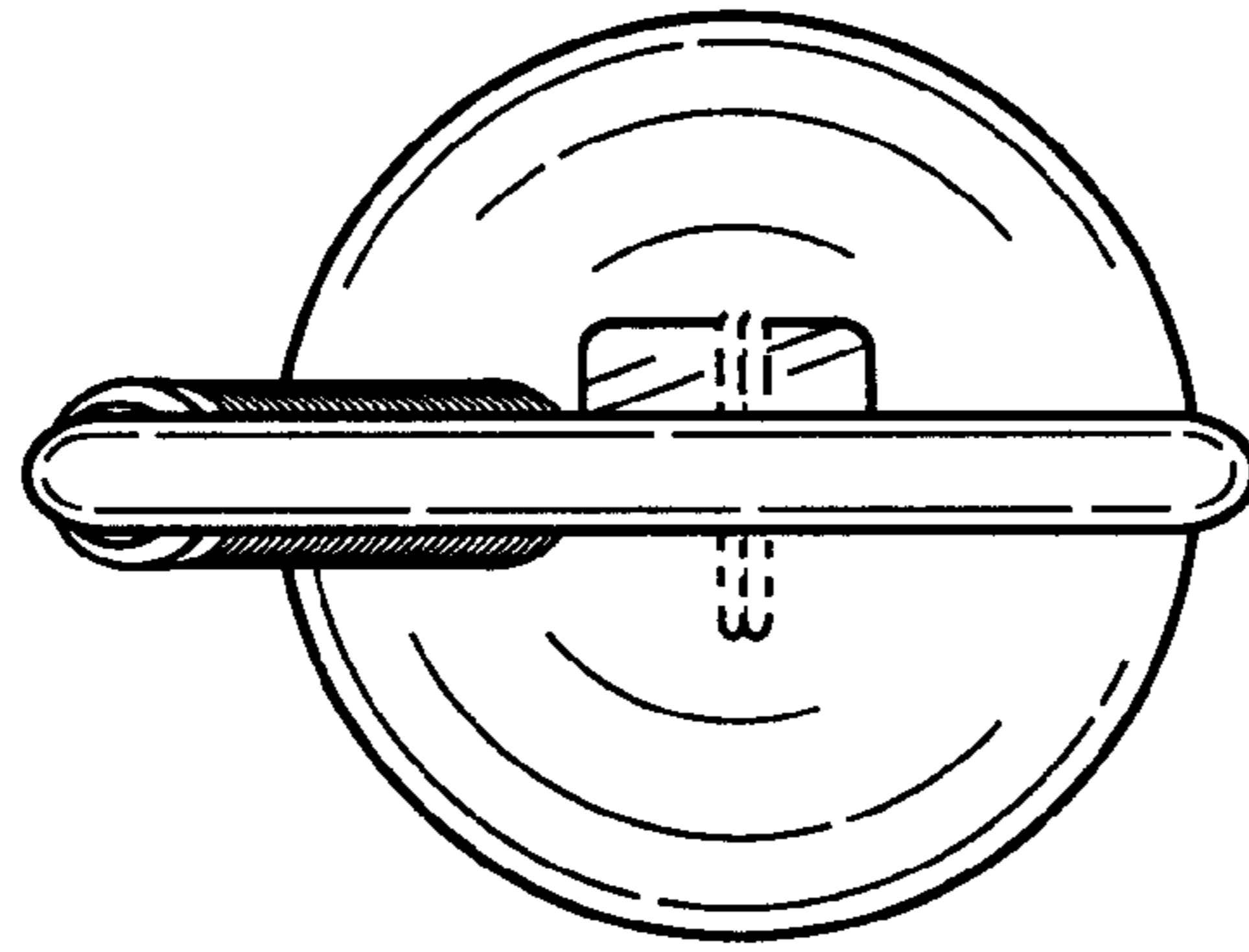


FIG. 12

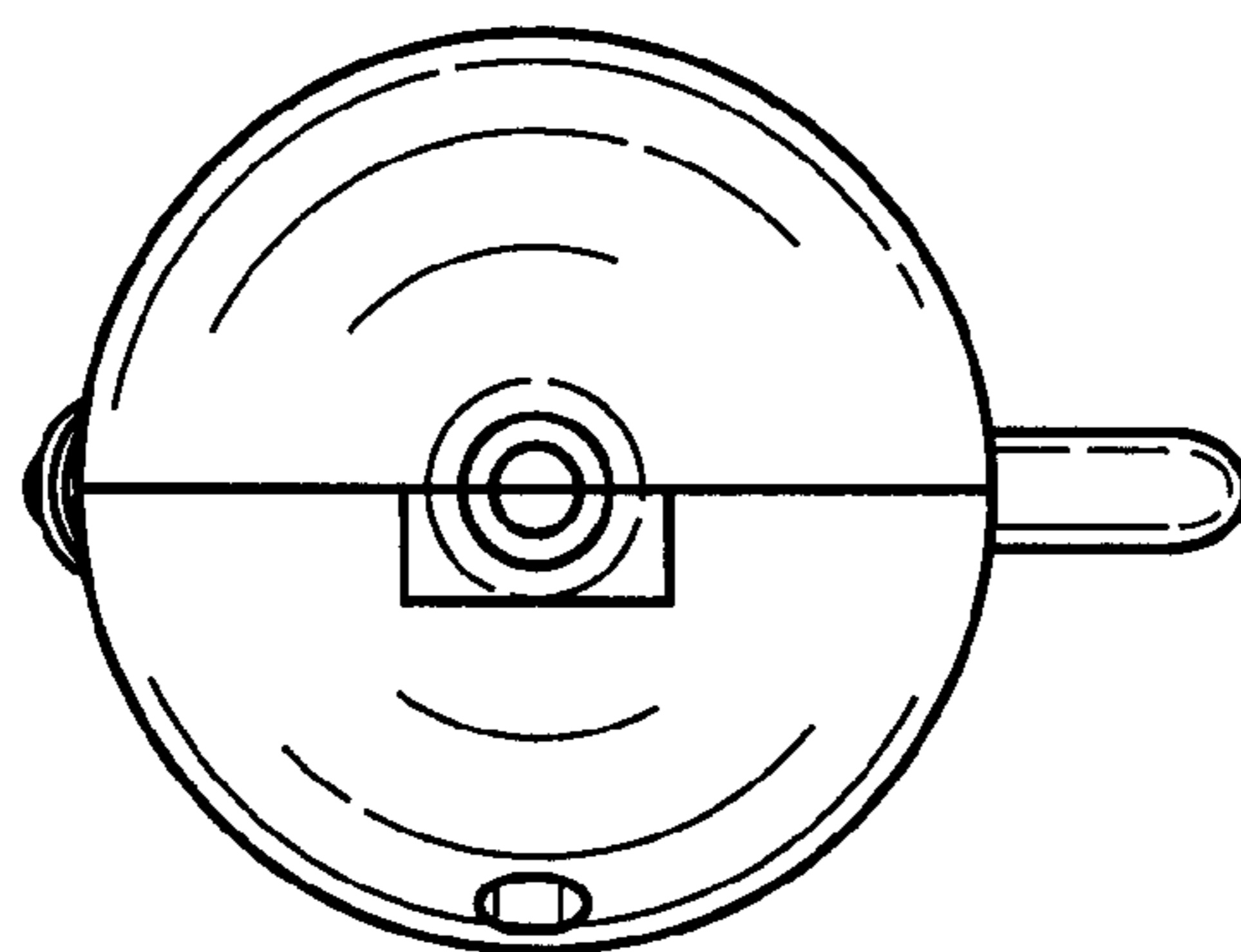


FIG. 11



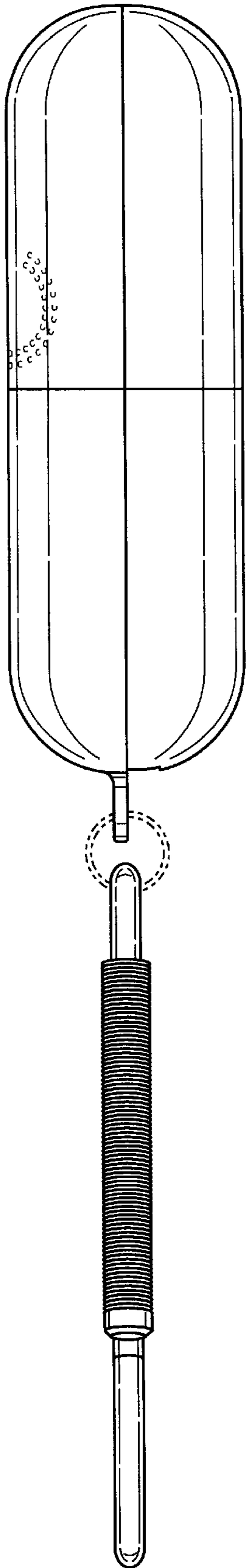


FIG. 13

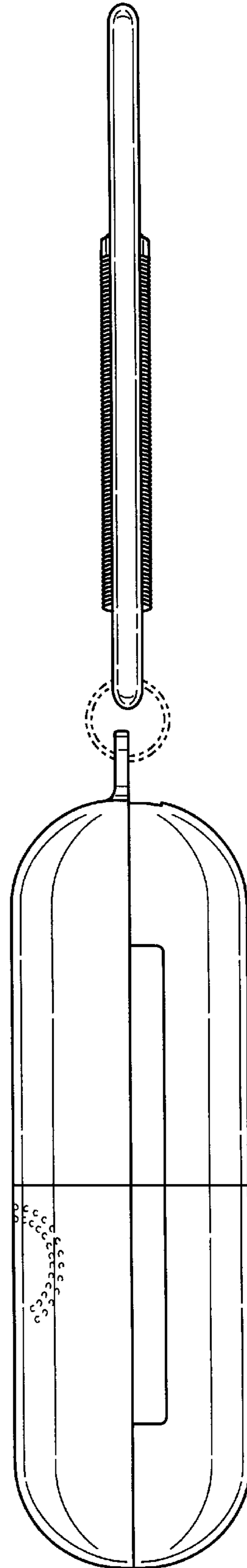


FIG. 14