



US00D539263S

(12) **United States Design Patent**
Ohta et al.

(10) **Patent No.:** **US D539,263 S**
(45) **Date of Patent:** **** Mar. 27, 2007**

(54) **COMBINED DIGITAL DISC PLAYER AND
AUTOMOTIVE NAVIGATION SYSTEM**

(75) Inventors: **Takashi Ohta**, Kobe (JP); **Kaede
Motoyama**, Kobe (JP)

(73) Assignee: **Fujitsu Ten Limited** (JP)

(**) Term: **14 Years**

(21) Appl. No.: **29/242,773**

(22) Filed: **Nov. 14, 2005**

(30) **Foreign Application Priority Data**

May 16, 2005 (JP) 2005-013916

(51) **LOC (8) Cl.** **14-01**

(52) **U.S. Cl.** **D14/157; D14/257**

(58) **Field of Classification Search** D14/496,
D14/157, 257-258; D10/65, 80; D12/192;
455/344-351; 701/200, 213, 214, 216, 221;
340/770, 995.28

See application file for complete search history.

(56) **References Cited**

U.S. PATENT DOCUMENTS

D421,007 S * 2/2000 Nagai D14/156
D427,591 S * 7/2000 Burghoff et al. D14/258
D439,227 S * 3/2001 Okada et al. D14/136
D440,927 S * 4/2001 Pfeiffer D12/192

FOREIGN PATENT DOCUMENTS

JP 1133829 2/2002
JP 1134044 2/2002
JP 1172202 4/2003

JP 1174547 6/2003
JP 1186058 9/2003
JP 1209953 6/2004

* cited by examiner

Primary Examiner—Nanda Bondade

(74) *Attorney, Agent, or Firm*—SAIDMAN DesignLaw
Group

(57) **CLAIM**

The ornamental design for a combined digital disc player
and automotive navigation system, as shown and described.

DESCRIPTION

FIG. 1 is a perspective view of a combined digital disc
player and automotive navigation system showing our new
design;

FIG. 2 is a perspective view showing the control panel
opening thereof;

FIG. 3 is a front view of FIG. 1;

FIG. 4 is a rear view thereof;

FIG. 5 is a right side view thereof, the left side view being
a mirror image of the right side view;

FIG. 6 is a top plan view thereof;

FIG. 7 is a bottom plan view thereof;

FIG. 8 is a front view of FIG. 2;

FIG. 9 is a right side view thereof;

FIG. 10 is a perspective view showing the front panel
opening thereof; and,

FIG. 11 is another perspective view showing the front panel
opening thereof.

The broken line showing in FIGS. 1 to 11 is for illustrative
purposes only and forms no part of the claimed design.

1 Claim, 5 Drawing Sheets

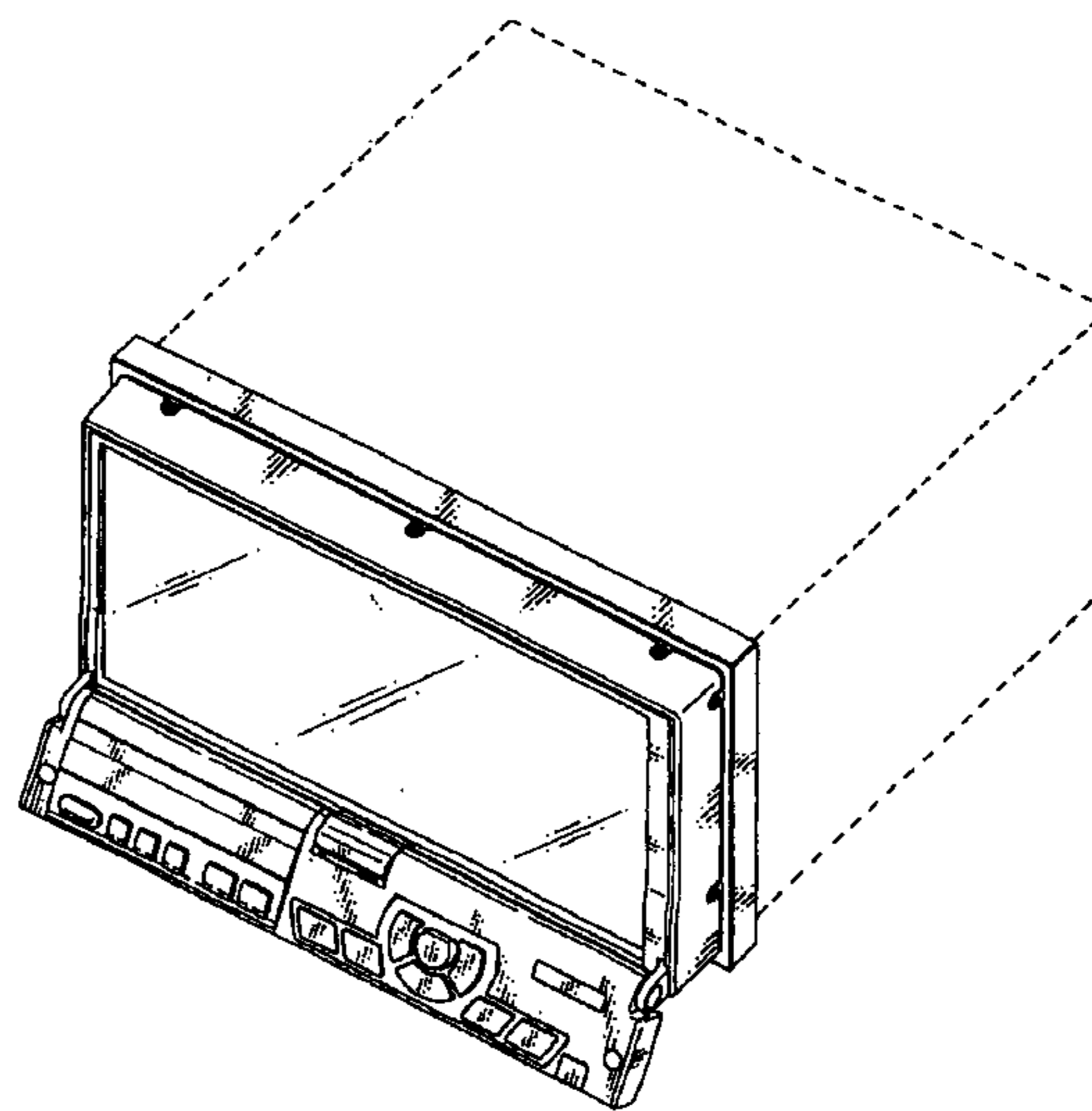
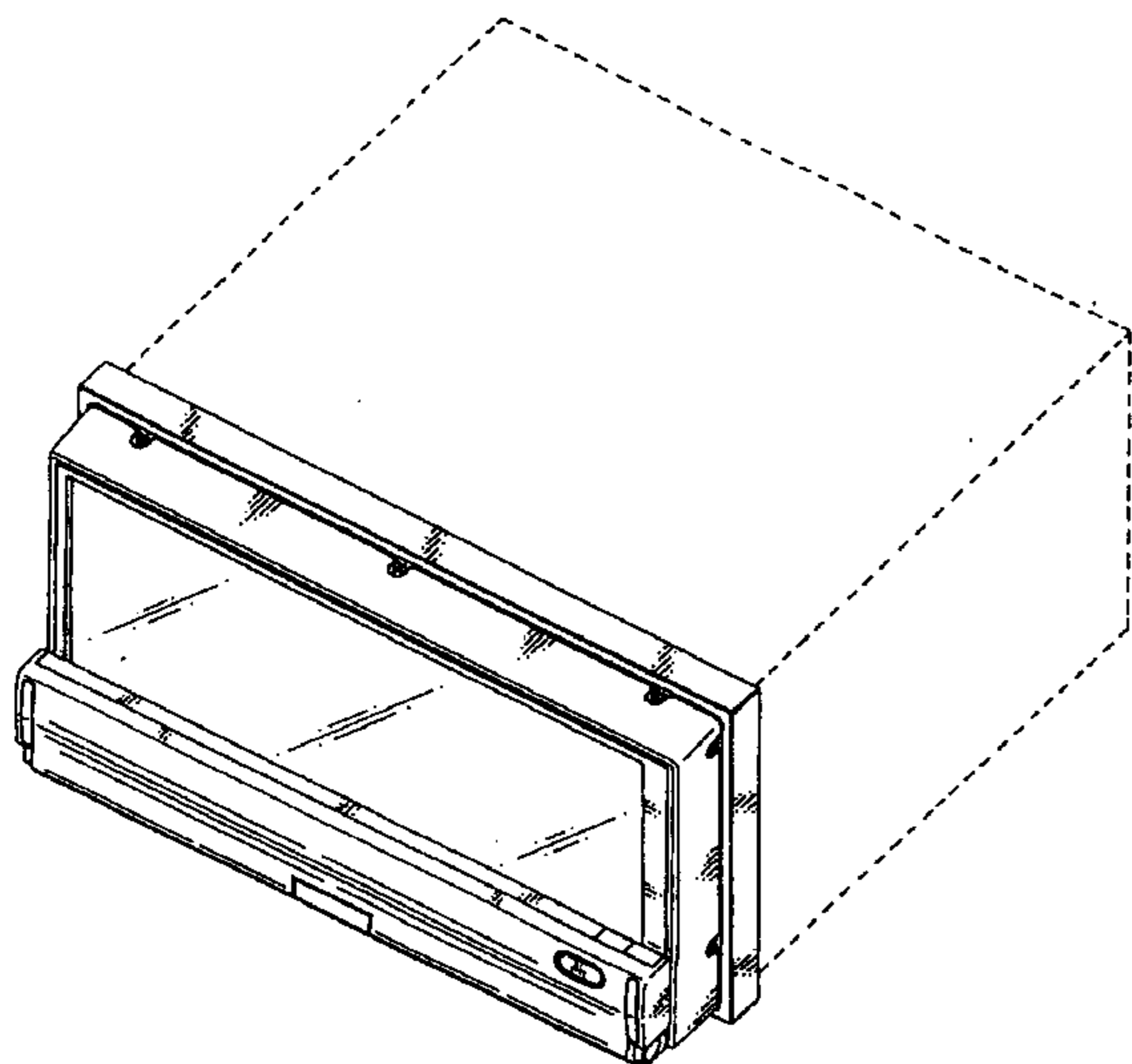


Fig. 1

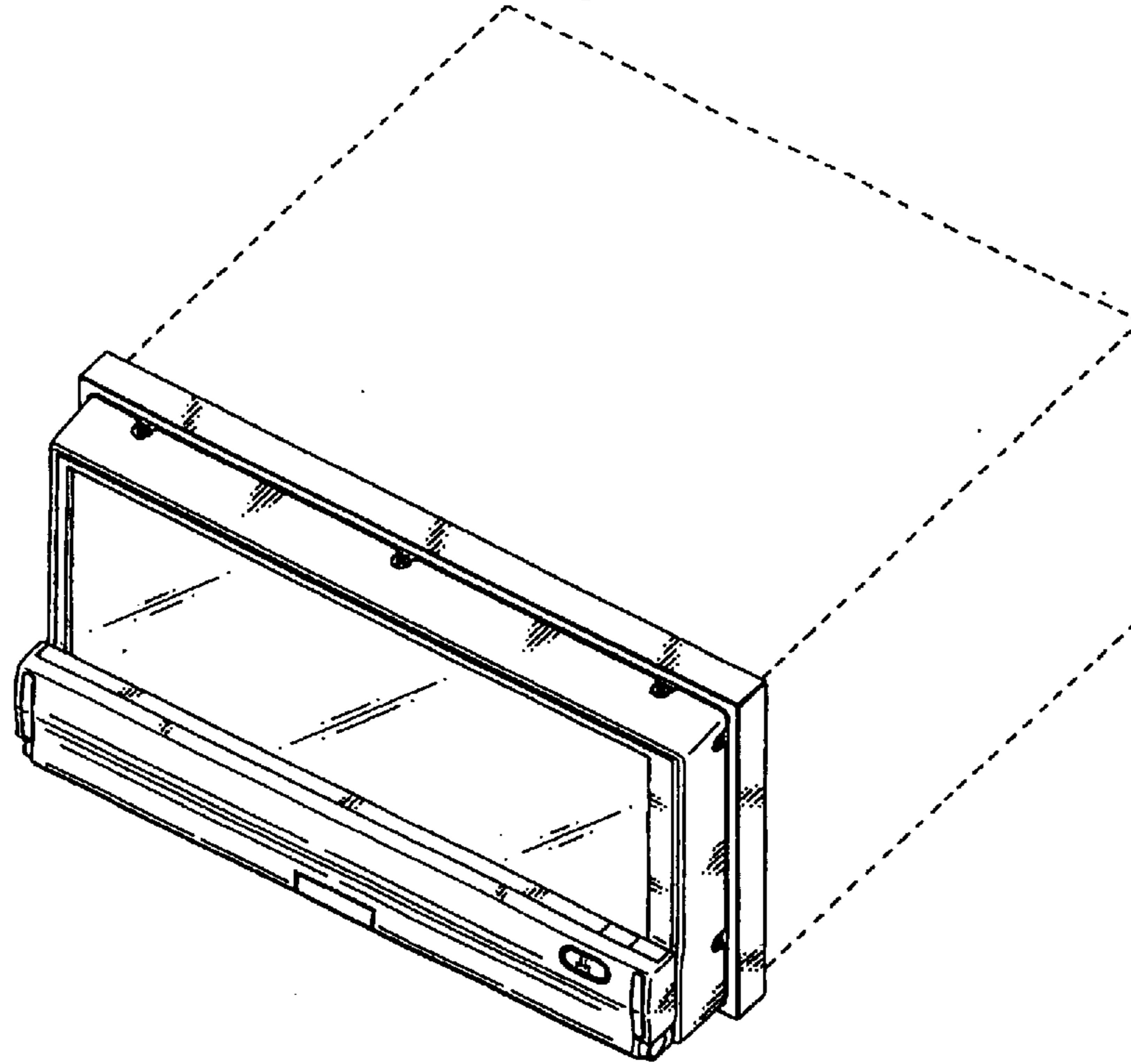


Fig. 2

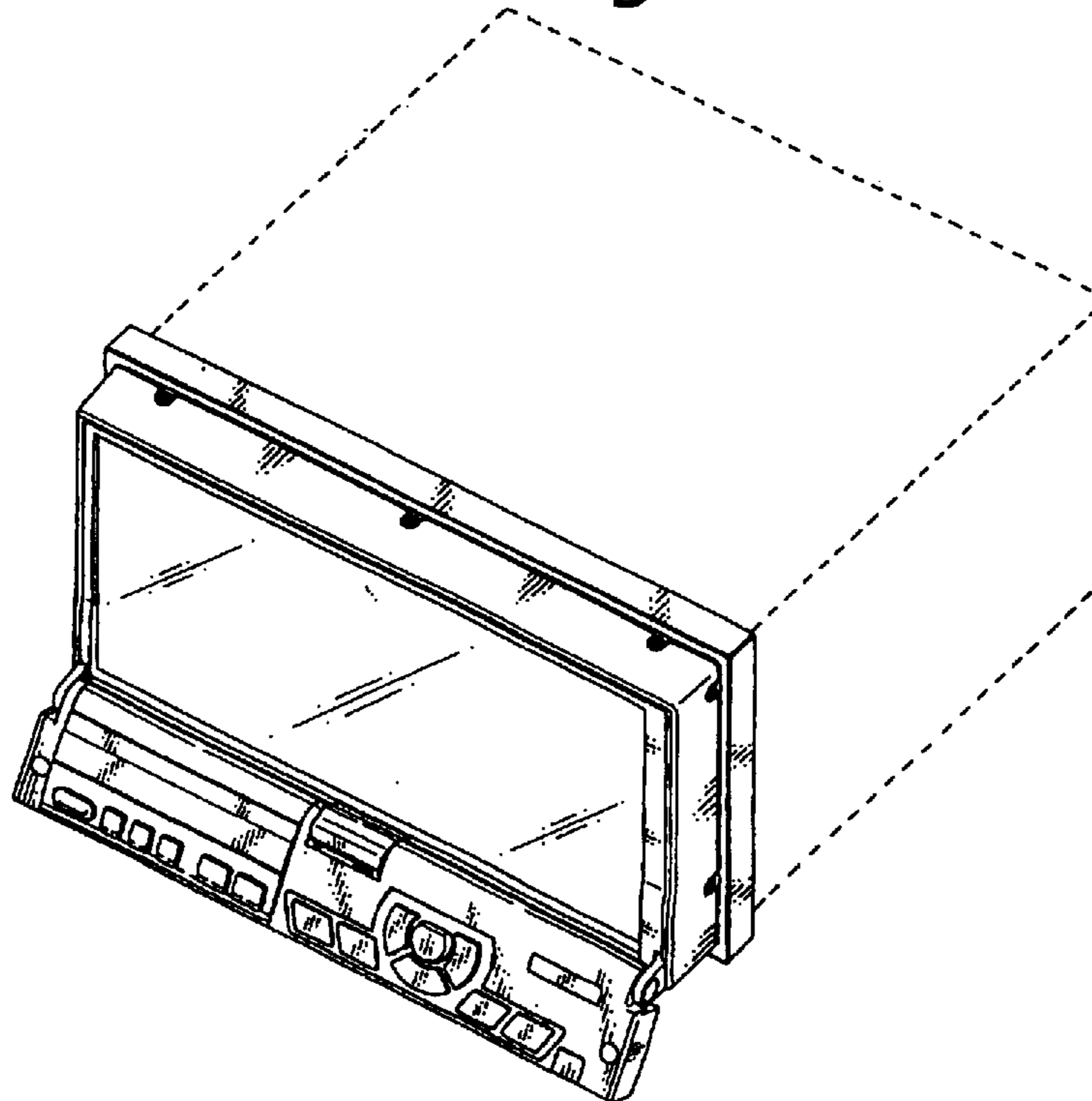


Fig.3

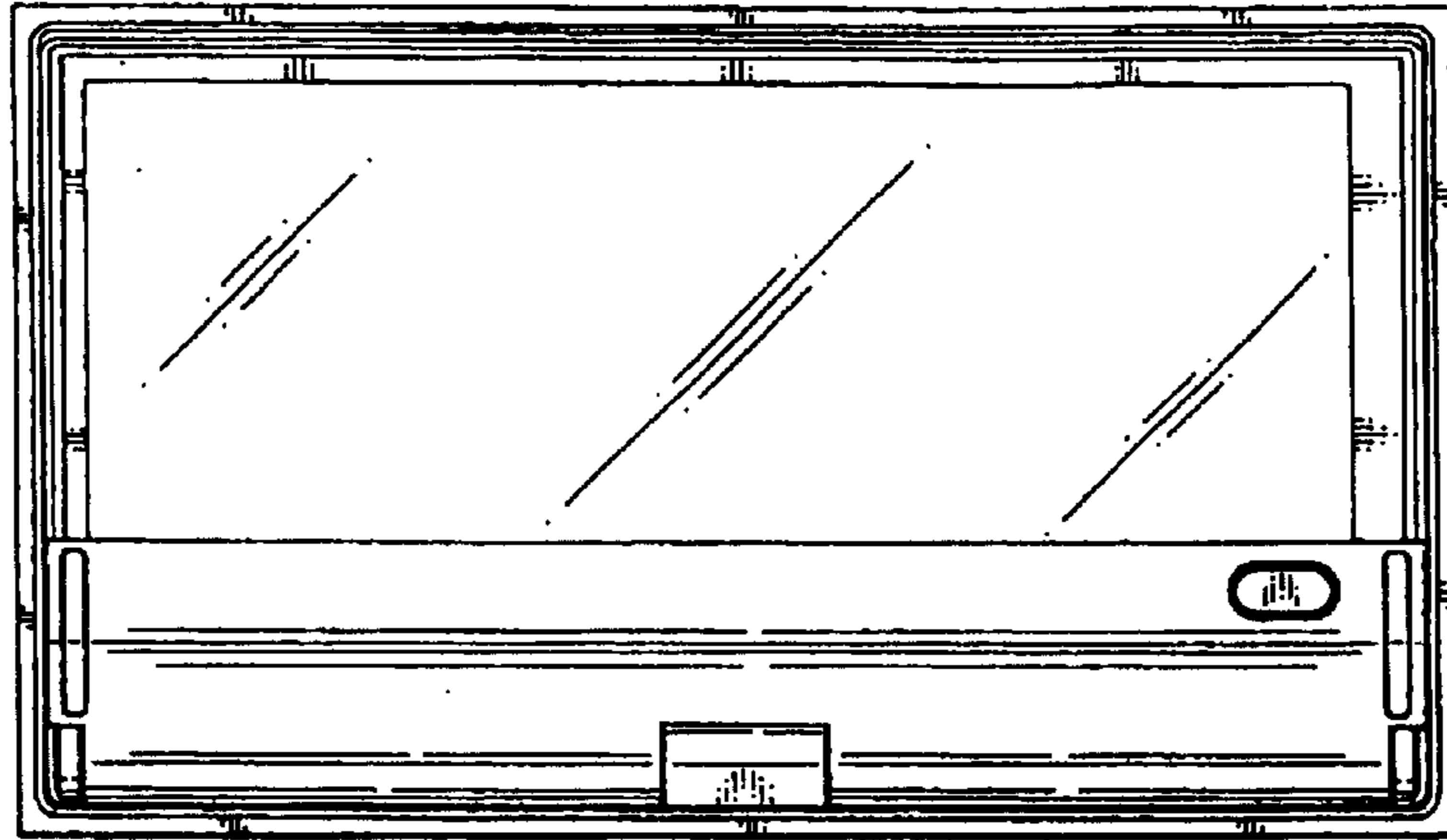


Fig.4

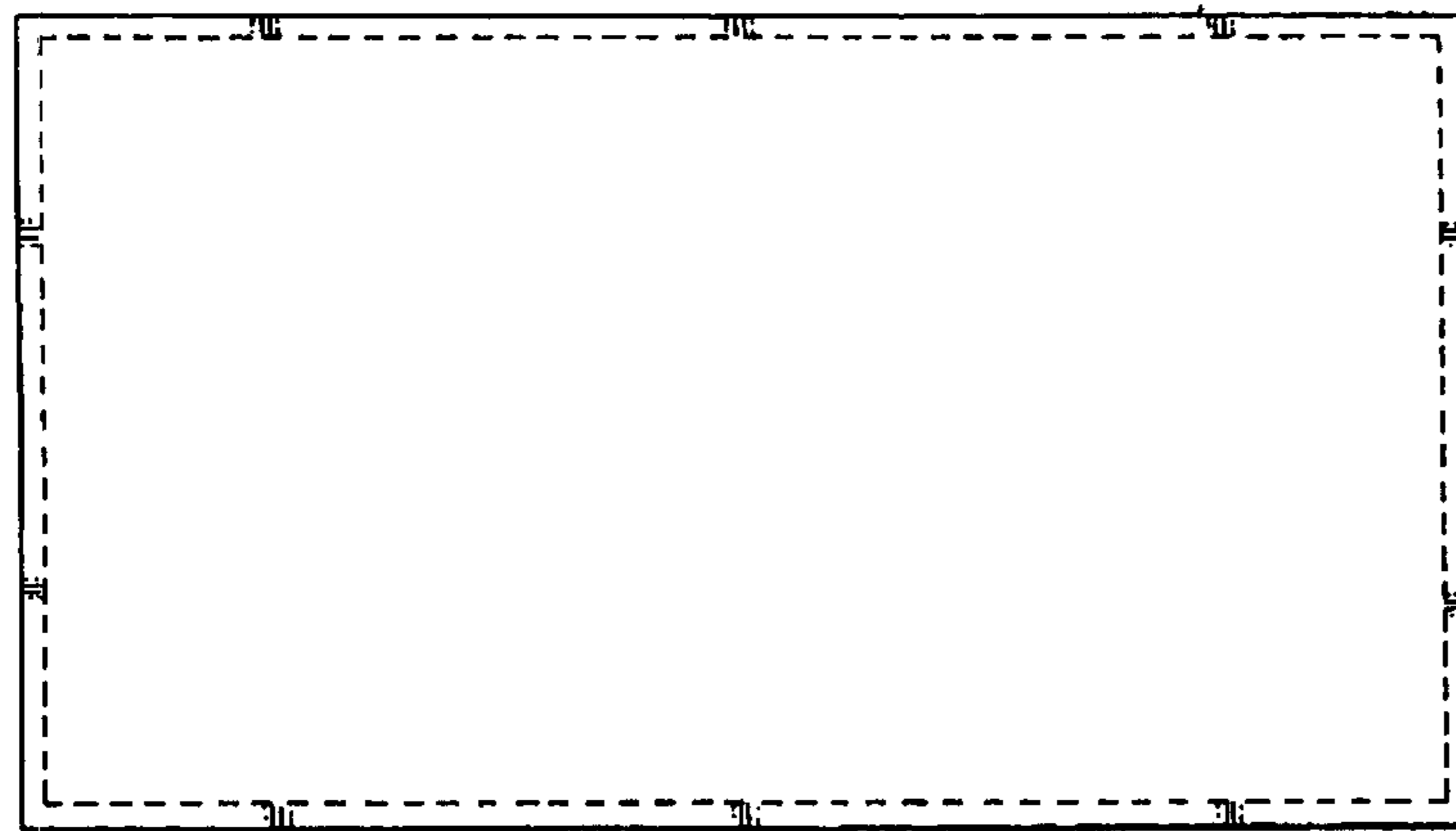


Fig.5



Fig.6

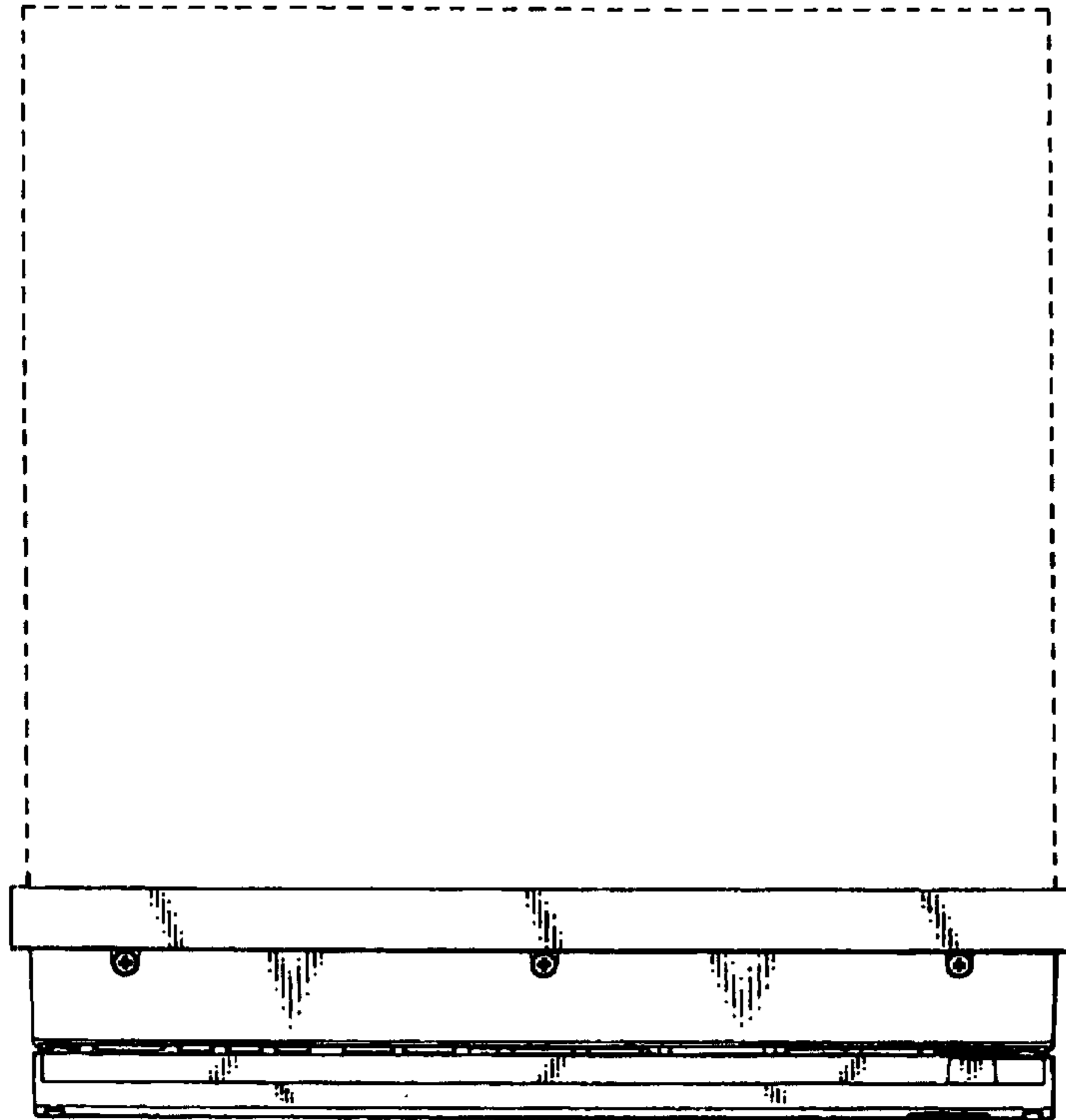


Fig.7

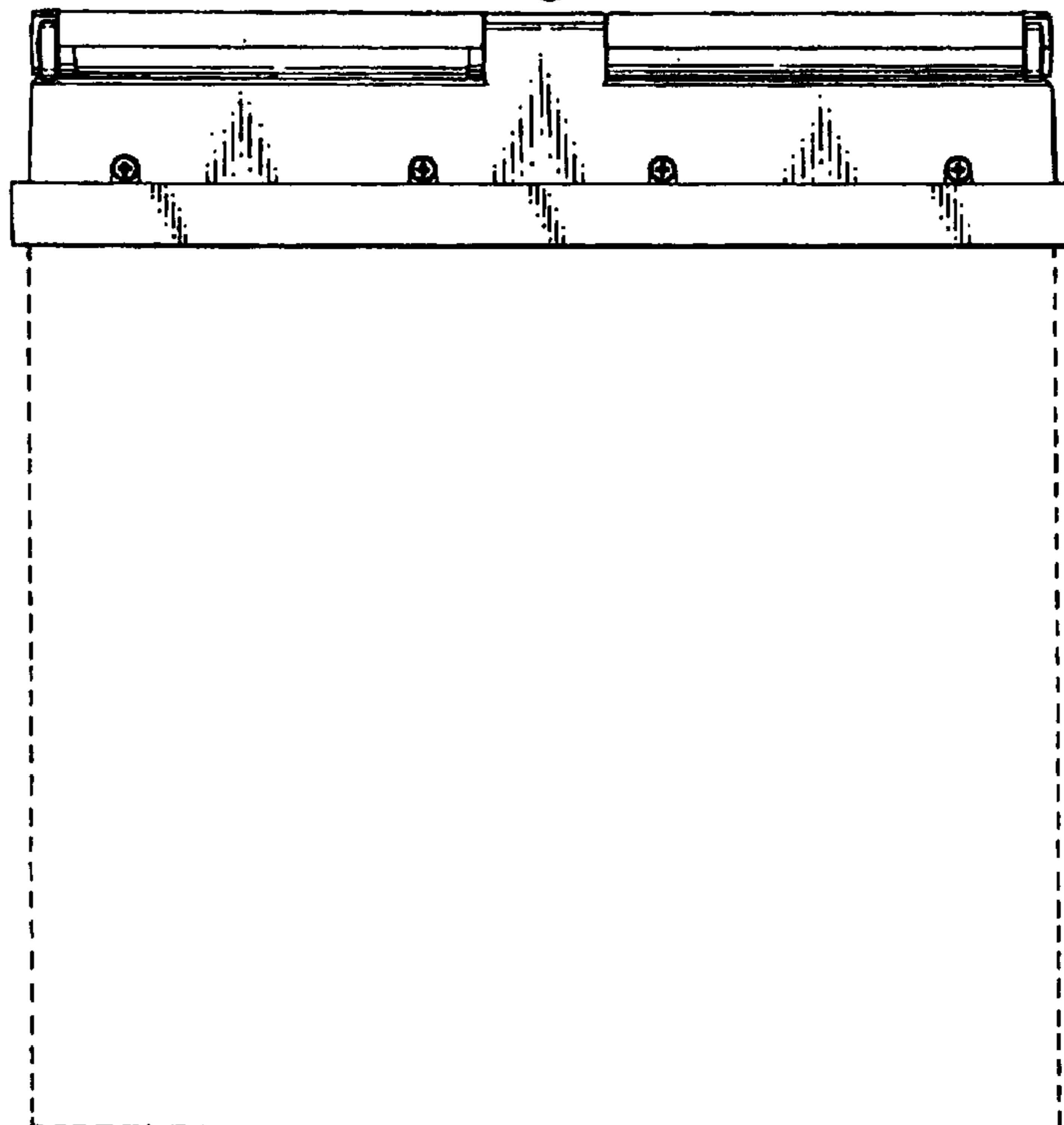


Fig.8

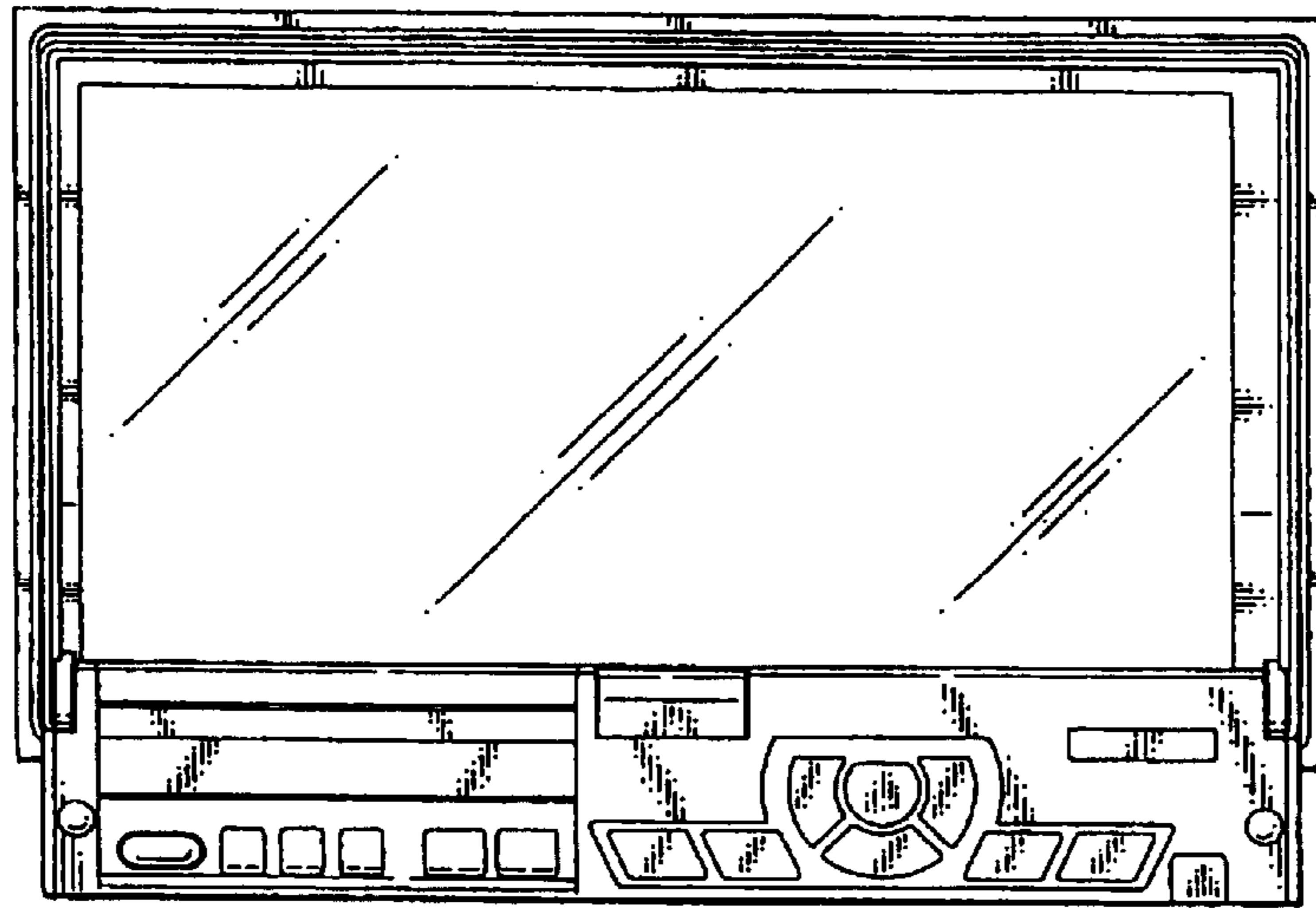


Fig.9

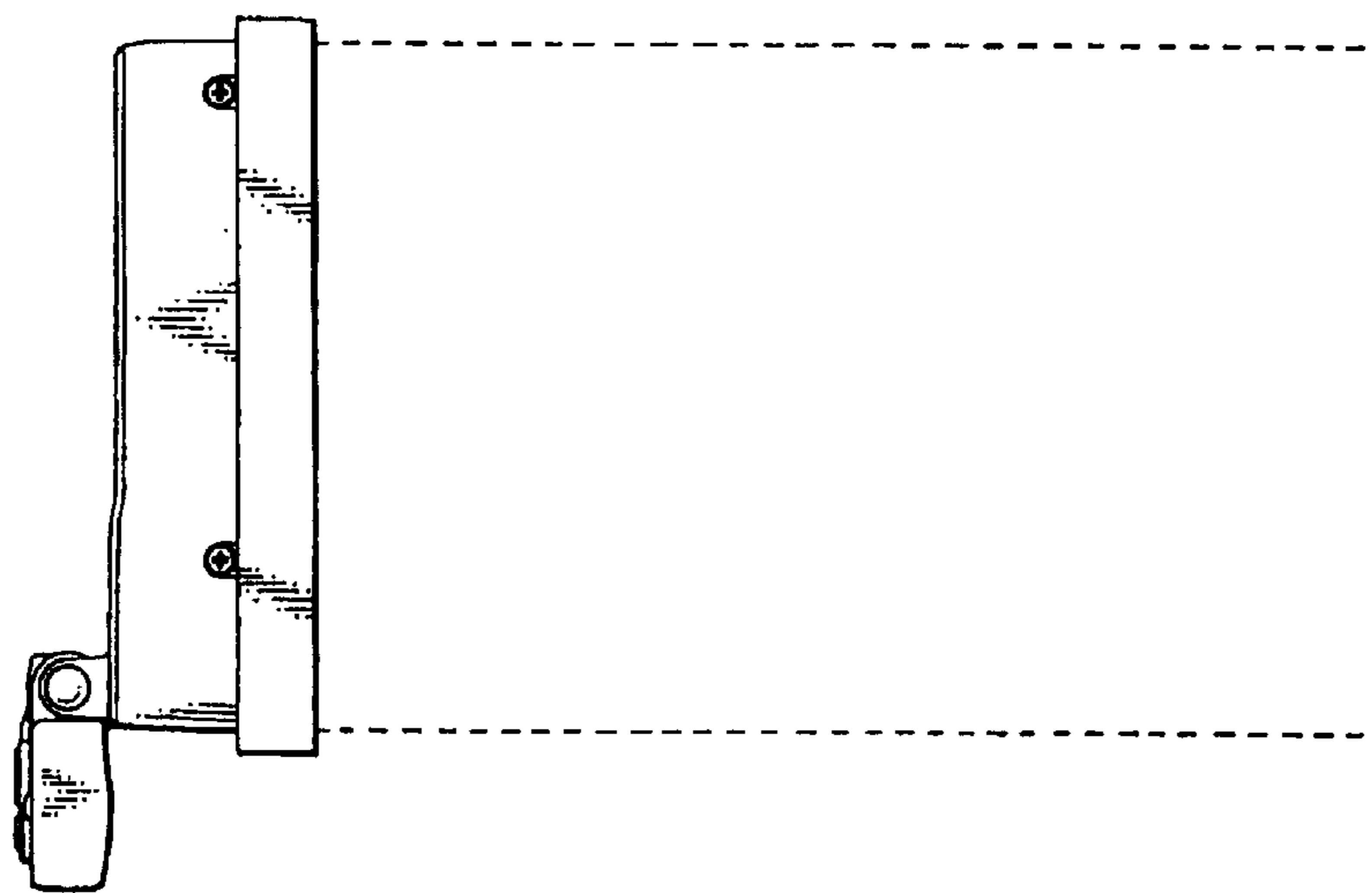


Fig. 10

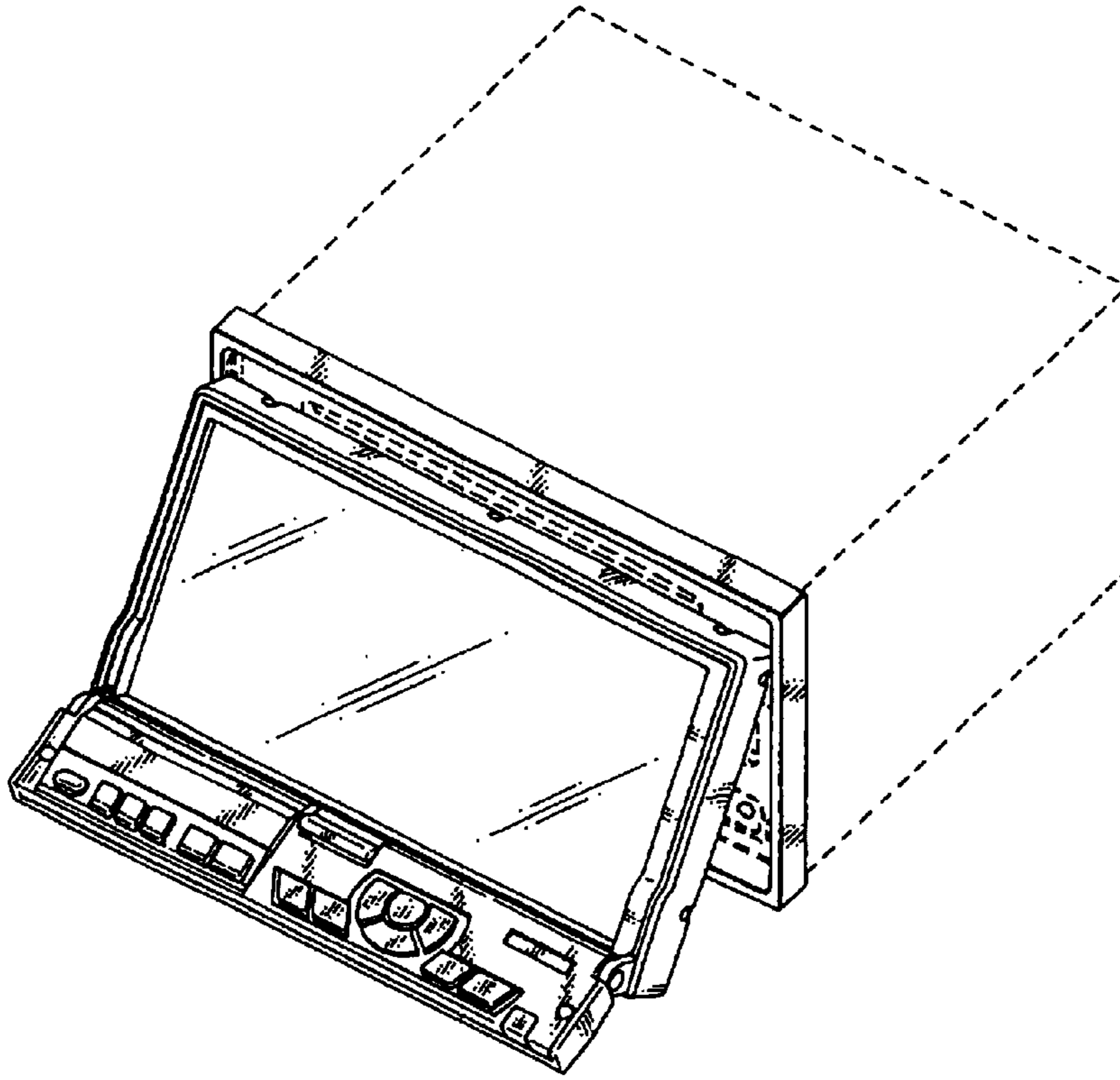


Fig. 11

