



US00D539259S

(12) **United States Design Patent**
Wang et al.

(10) **Patent No.:** **US D539,259 S**
(45) **Date of Patent:** **** Mar. 27, 2007**

(54) **CELLULAR PHONE**

(75) Inventors: **Ching-Chang Wang**, Tu-Cheng (TW);
Chih-Yu Chen, Tu-Cheng (TW);
Jian-Guang Huang, Tu-Cheng (TW);
Shao-Guang Fang, Tu-Cheng (TW)

(73) Assignee: **Cheng Uei Precision Industry Co., Ltd.**, Taipei Hsien (TW)

(**) Term: **14 Years**

(21) Appl. No.: **29/243,495**

(22) Filed: **Nov. 25, 2005**

(51) **LOC (8) Cl.** **14-03**

(52) **U.S. Cl.** **D14/138**

(58) **Field of Classification Search** D14/341-347,
D14/138, 137, 147, 218, 496; 455/575.1,
455/575.3, 575.4, 90.3, 556.1, 556.2; 379/433.01-433.13;
361/814; 348/14.02

See application file for complete search history.

(56) **References Cited**

U.S. PATENT DOCUMENTS

D333,295 S	*	2/1993	Weber	D13/168
D474,166 S	*	5/2003	Burns et al.	D14/138
6,640,113 B1	*	10/2003	Shim et al.	455/566
D481,694 S	*	11/2003	Dalby et al.	D14/138
6,674,996 B1	*	1/2004	Weckstrom	455/90.3
D487,069 S	*	2/2004	Thaler et al.	D14/138
D488,452 S	*	4/2004	Chung	D14/138
D491,545 S	*	6/2004	Widiaman et al.	D14/138
D492,276 S	*	6/2004	Walliser et al.	D14/138
D499,709 S	*	12/2004	Nuovo et al.	D14/138
D500,992 S	*	1/2005	Shen et al.	D14/138
D501,454 S	*	2/2005	Nuovo et al.	D14/138
6,882,863 B2	*	4/2005	Hansson	455/556.1
6,904,148 B1	*	6/2005	Yabusaki	379/433.07
D512,073 S	*	11/2005	Rodarte	D14/496
D514,079 S	*	1/2006	Lai	D14/138

D517,039 S	*	3/2006	Lee	D14/138
D525,229 S	*	7/2006	Friesen et al.	D14/138
D530,697 S	*	10/2006	Wei et al.	D14/138
2003/0153282 A1	*	8/2003	Sun et al.	455/90
2004/0180703 A1	*	9/2004	Kim et al.	455/575.1
2005/0059441 A1	*	3/2005	Miyashita	455/575.1
2006/0188091 A1	*	8/2006	Chen	379/433.01

OTHER PUBLICATIONS

Siemens CC75, announced Aug. 2005, [online], [retrieved on Oct. 24, 2006]. Retrieved from Internet, <URL: http://www.gsmarena.com>.*

Sagem MY 400X, announced 1st quarter 2006, [online], [retrieved on Oct. 24, 2006]. Retrieved from Internet, <URL: http://www.gsmarena.com>.*

Pantech PG-1400, announced 3rd quarter 2005, [online], [retrieved on Oct. 24, 2006]. Retrieved from Internet, <URL: http://www.gsmarena.com>.*

Bird S798, announced 3rd quarter 2005, [online], [retrieved on Oct. 24, 2006]. Retrieved from Internet, <URL: http://www.gsmarena.com>.*

* cited by examiner

Primary Examiner—Jeffrey Asch

Assistant Examiner—Bridget L. Eland

(57) **CLAIM**

The ornamental design for a cellular phone, as shown and described.

DESCRIPTION

FIG. 1 is a perspective view of a cellular phone showing the new design;

FIG. 2 is a front elevational view thereof;

FIG. 3 is a rear elevational view thereof;

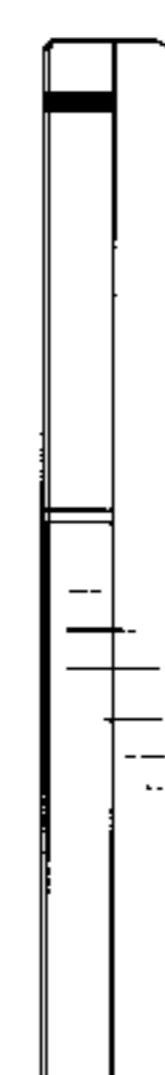
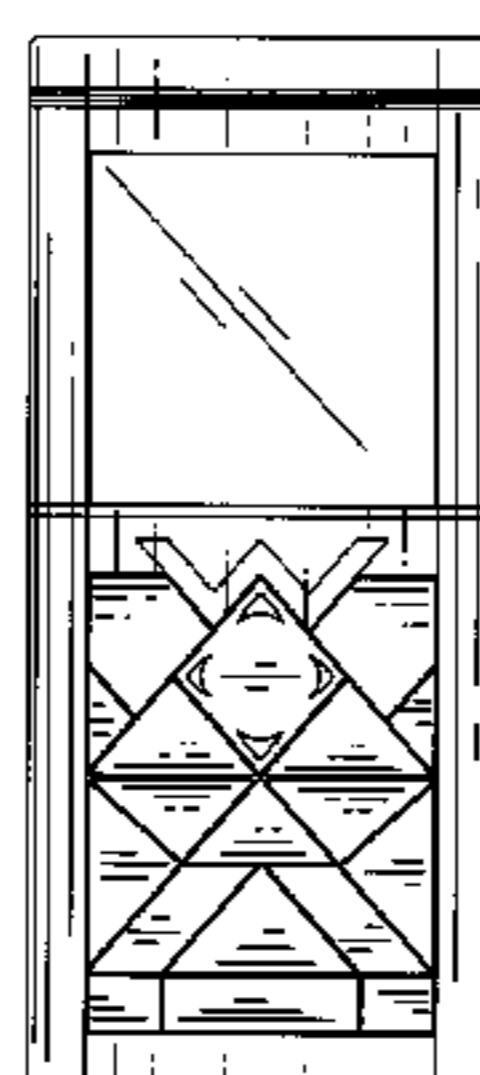
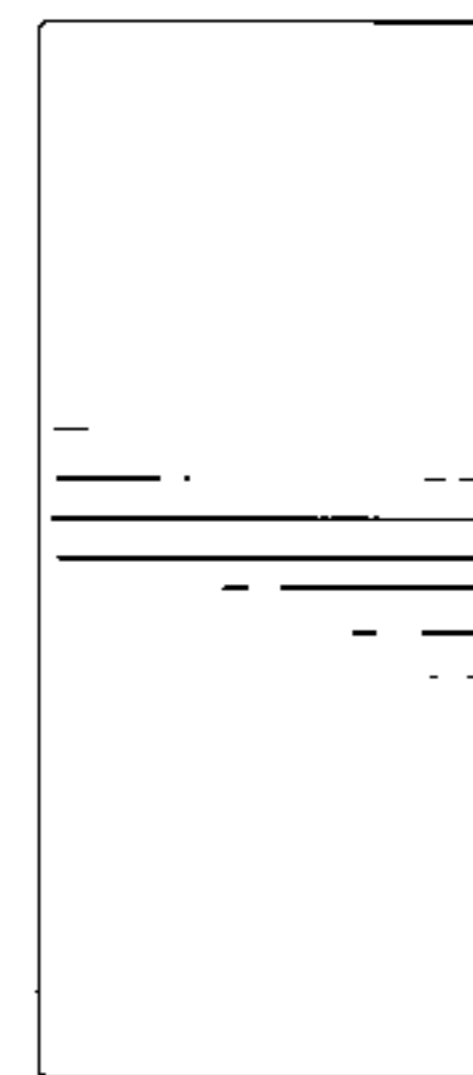
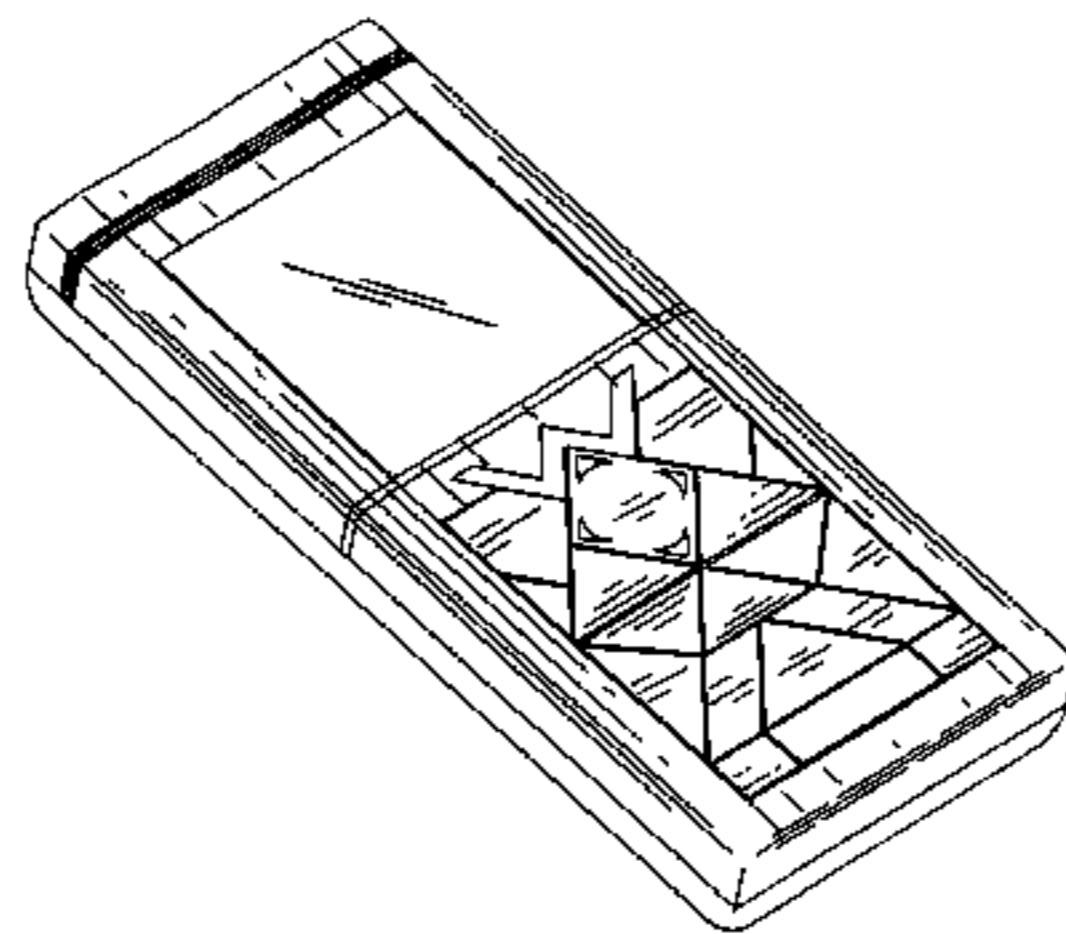
FIG. 4 is a left side elevational view thereof;

FIG. 5 is a right side elevational view thereof;

FIG. 6 is a top plan view thereof; and,

FIG. 7 is a bottom plan view thereof.

1 Claim, 7 Drawing Sheets



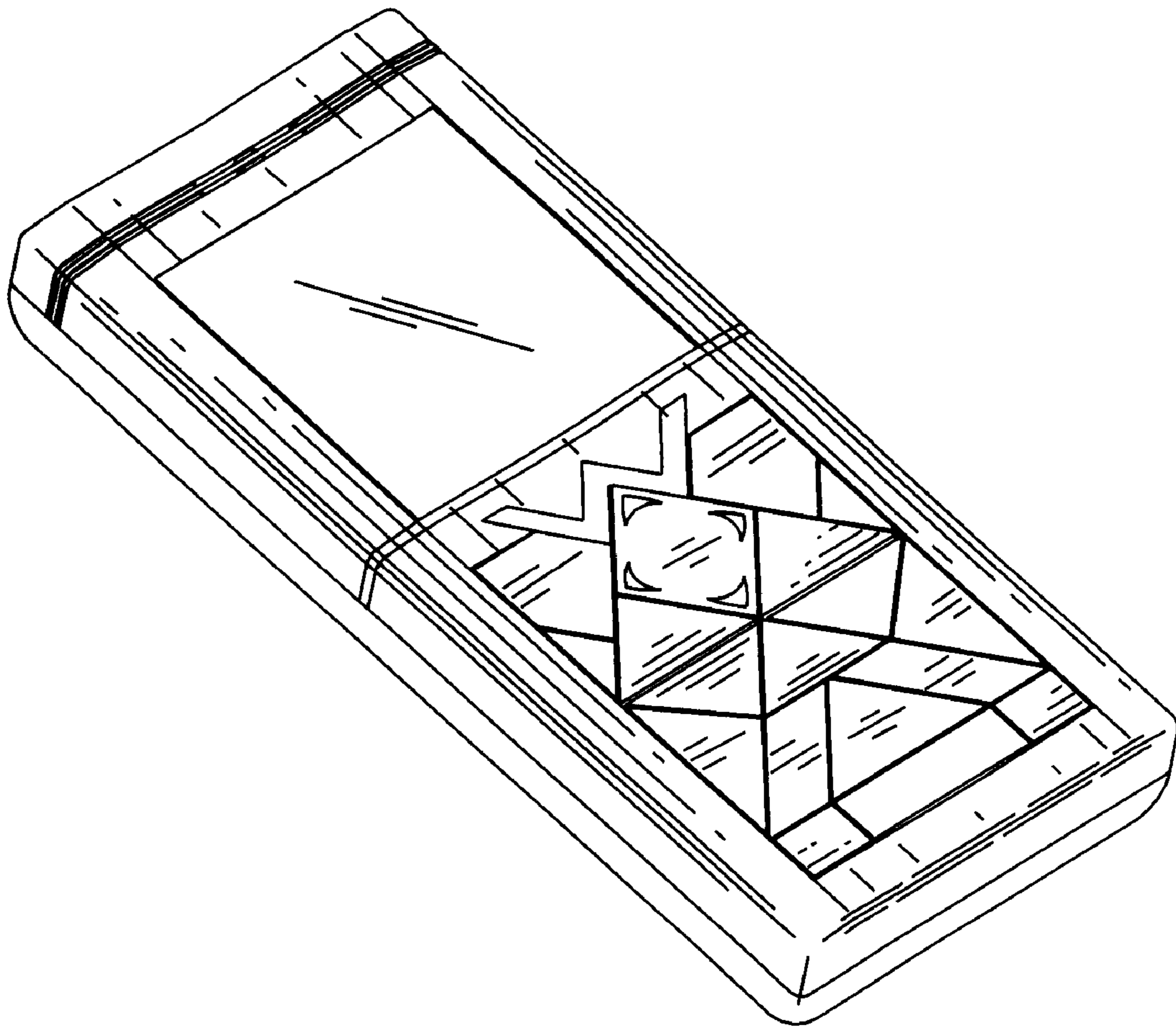


FIG. 1

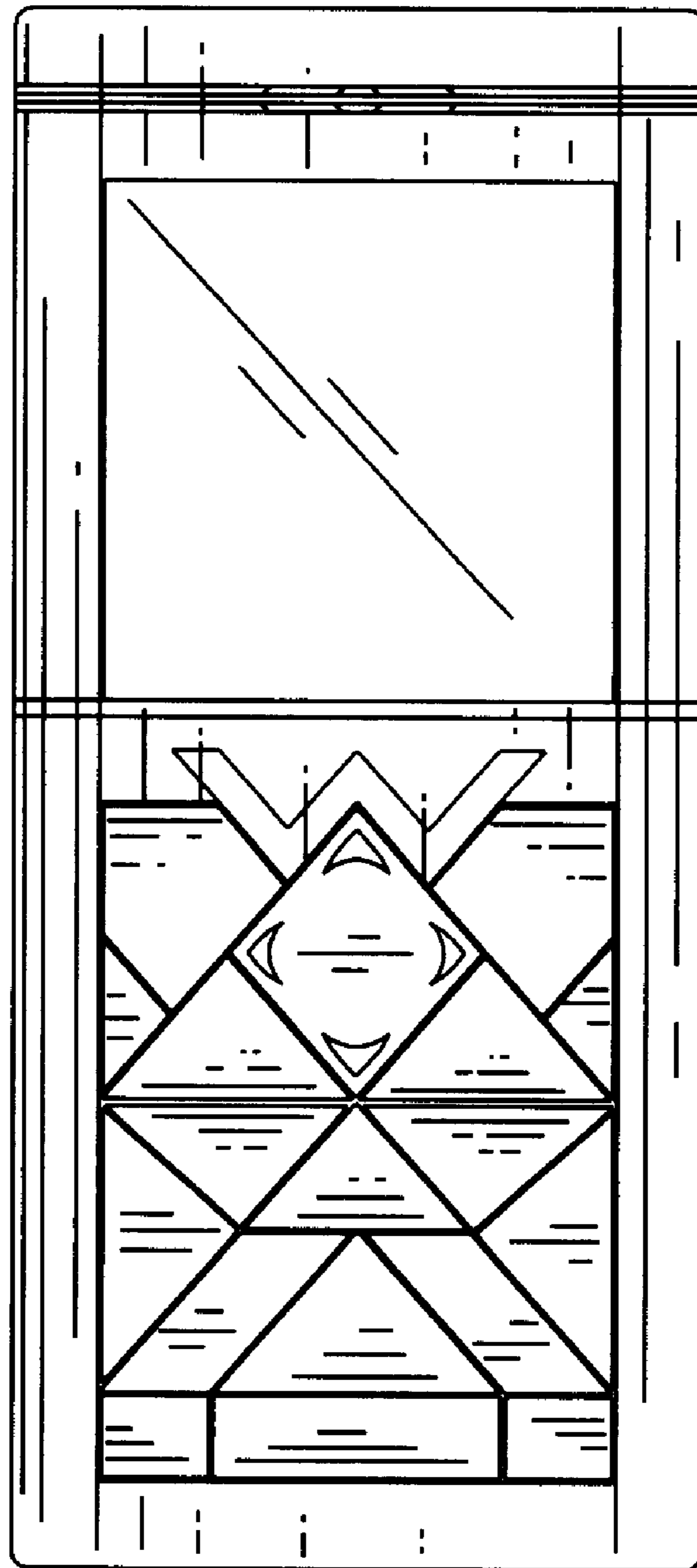


FIG. 2

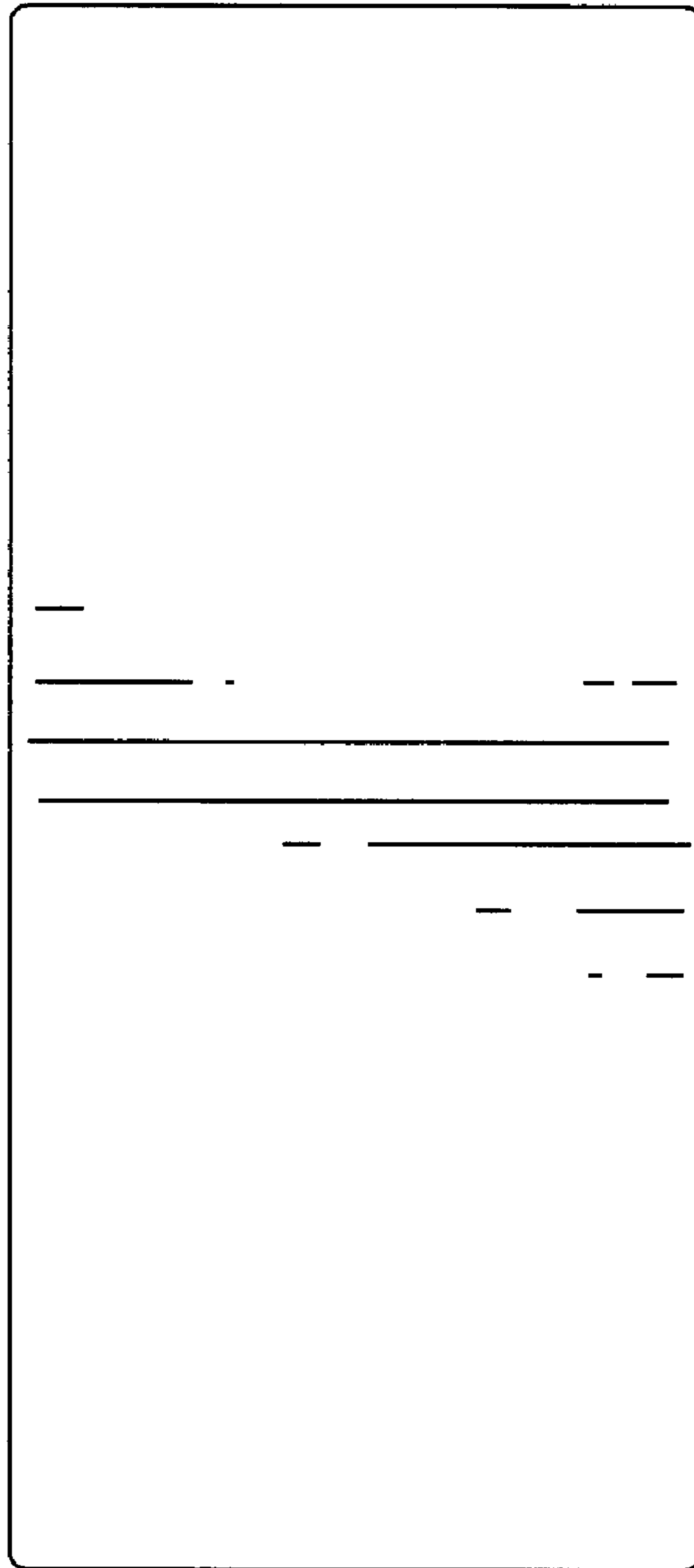


FIG. 3

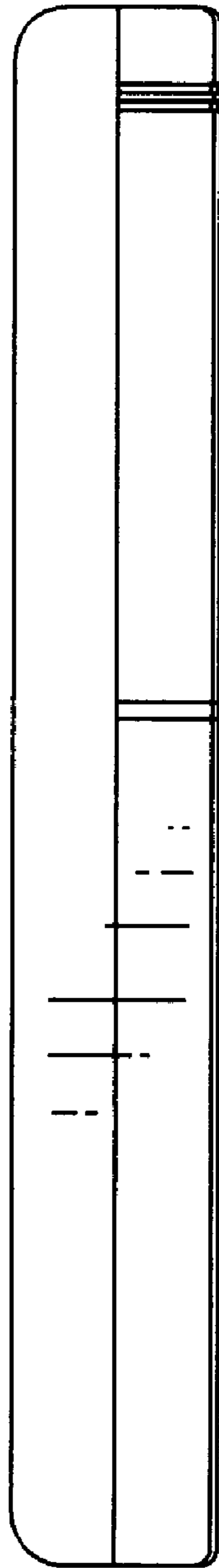


FIG. 4

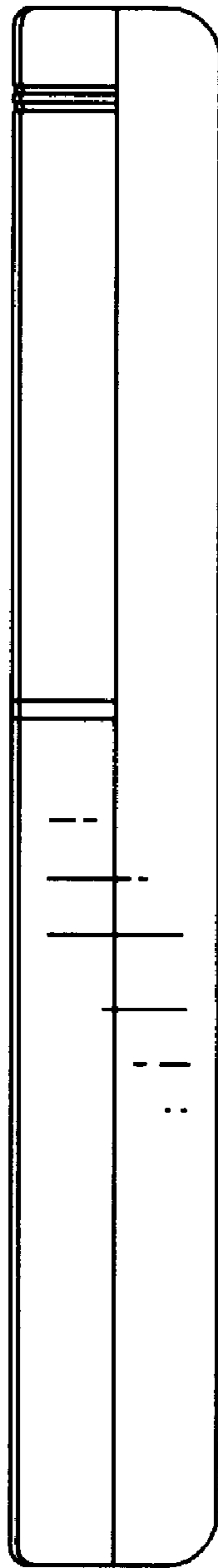


FIG. 5

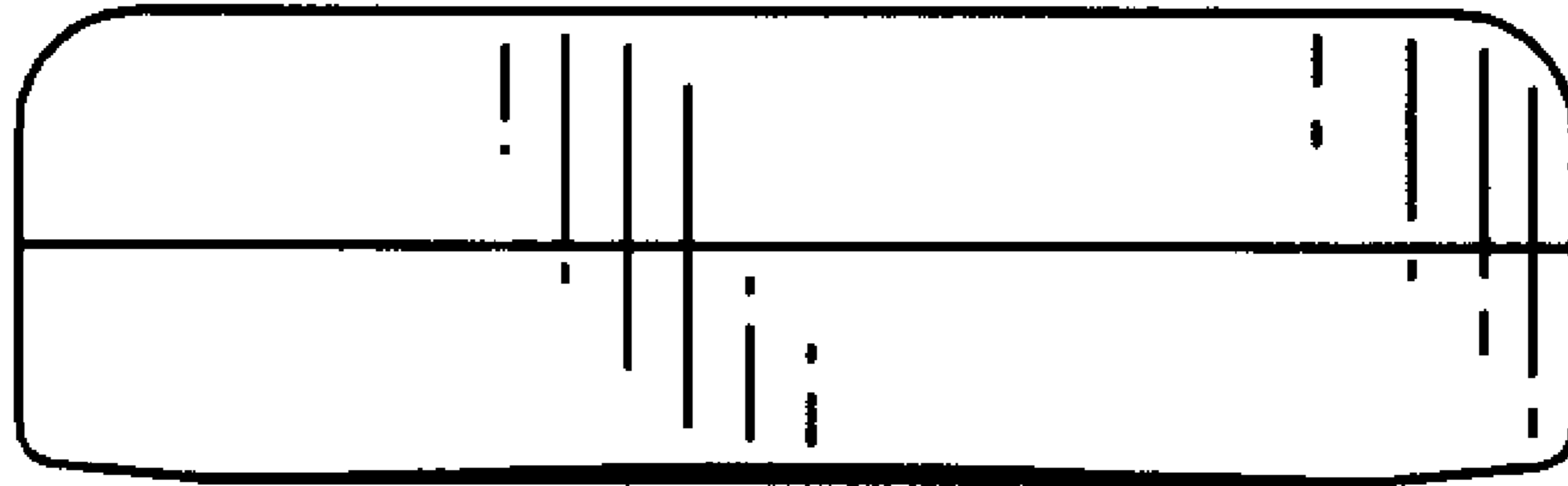


FIG. 6

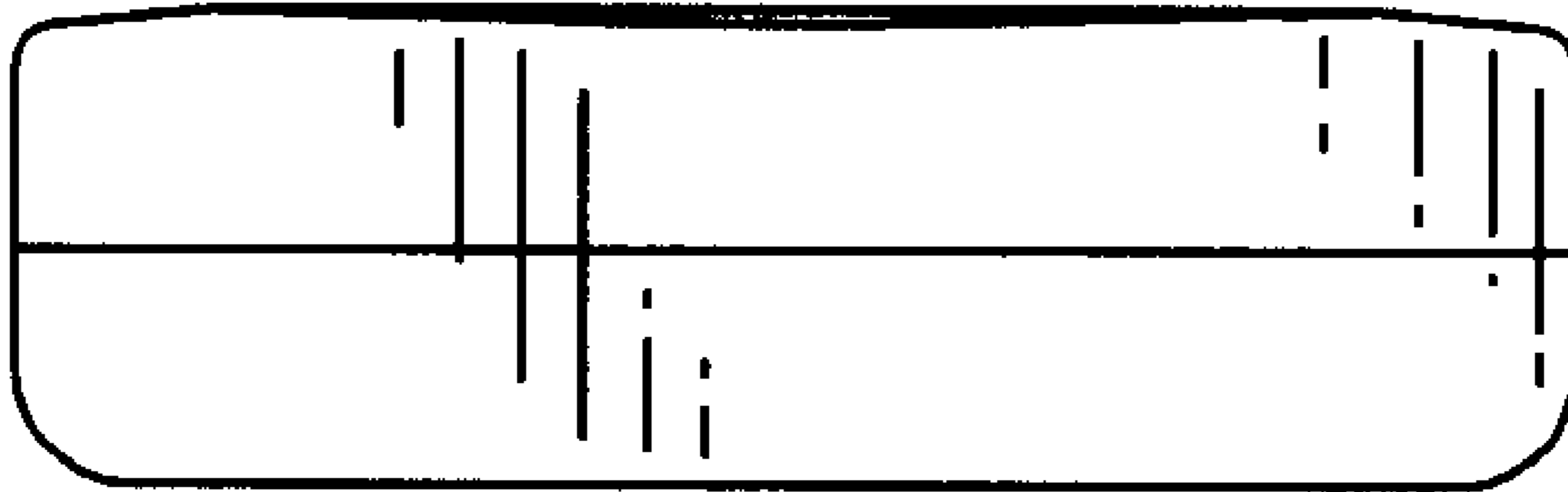


FIG. 7