

US00D539250S

(12) **United States Design Patent**  
**Park**

(10) **Patent No.:** **US D539,250 S**

(45) **Date of Patent:** **\*\* Mar. 27, 2007**

(54) **COMPLEX IMAGE PLAYER**

(75) Inventor: **Jung-Hyun Park**, Seoul (KR)

(73) Assignee: **Samsung Electronics Co., Ltd.**,  
Kyunggi-do (KR)

(\*\*) Term: **14 Years**

(21) Appl. No.: **29/241,756**

(22) Filed: **Oct. 31, 2005**

(51) **LOC (8) Cl.** ..... **14-01**

(52) **U.S. Cl.** ..... **D14/136**

(58) **Field of Classification Search** ..... D14/135-136,  
D14/156-157, 167-168, 193-198, 188, 357,  
D14/445; 360/99.02, 99.07, 137; 369/75.11,  
369/75.21, 77.21, 77.11; 720/612, 619, 647,  
720/655; 455/344, 347-351

See application file for complete search history.

(56) **References Cited**

**U.S. PATENT DOCUMENTS**

4,758,910 A	*	7/1988	Kaneko et al.	.....	360/137
D448,741 S	*	10/2001	Makino et al.	.....	D14/136
D459,321 S	*	6/2002	Kojima et al.	.....	D14/136
D484,474 S	*	12/2003	Johansson et al.	.....	D14/136
D485,813 S	*	1/2004	Winkler	.....	D14/136

**OTHER PUBLICATIONS**

U.S. Appl. No. 29/217,942, Applicant: Young-Sam Kwon, et al., filed Nov. 23, 2004 entitled Complex Image Player.

U.S. Appl. No. 29/217,943, Applicant: Bong-Chan Ko, et al., filed Nov. 23, 2004 entitled Complex Image Player.

U.S. Appl. No. 29/217,940, Applicant: Young-Sam Kwon, et al., filed Nov. 23, 2004 entitled Complex Image Player.

U.S. Appl. No. 29/217,946, Applicant: Young-Sam Kwon, et al., filed Nov. 23, 2004 entitled DVD Player.

U.S. Appl. No. 29/217,945, Applicant: Young-Sam Kwon, et al., filed Nov. 23, 2004 entitled Double-Deck DVD Recorder.

U.S. Appl. No. 29/217,947, Applicant: Young-Sam Kwon, et al., filed Nov. 23, 2004 entitled Complex Image Player.

U.S. Appl. No. 29/226,437, Applicant: Min-Geun Kim, et al., filed Mar. 29, 2005 entitled Digital Video Recorder.

U.S. Appl. No. 29/228,009, Applicant: Han Kim, et al., filed Apr. 19, 2005 entitled Complex Image Player.

U.S. Appl. No. 29/228,003, Applicant: Hyun-Teak Lim, et al., filed Apr. 19, 2005 entitled DVD Recorder.

U.S. Appl. No. 29/228,001, Applicant: Hyun-Teak Lim, filed Apr. 19, 2005 entitled DVD Recorder.

U.S. Appl. No. 29/228,005, Applicant: Han Kim, et al., filed Apr. 19, 2005 entitled Complex Image Player.

U.S. Appl. No. 29/228,023, Applicant: Han Kim, et al., filed Apr. 19, 2005 entitled Blu-Ray Player.

U.S. Appl. No. 29/228,020, Applicant: Hyun-Teak Lim, filed Apr. 19, 2005 entitled DVD Recorder.

U.S. Appl. No. 29/228,006, Applicant: Han Kim, et al., filed Apr. 19, 2005 entitled Complex Image Player.

U.S. Appl. No. 29/228,036, Applicant: Young-Sam Kwon, et al., filed Apr. 19, 2005 entitled Complex Image Player.

U.S. Appl. No. 29/228,002, Applicant: Hyun-Teak Lim, filed Apr. 19, 2005 entitled Blu-Ray Player.

(Continued)

*Primary Examiner*—Nanda Bondade

(74) *Attorney, Agent, or Firm*—Flynn, Thiel, Boutell & Tanis, P.C.

(57) **CLAIM**

The ornamental design for a complex image player, as shown and described.

**DESCRIPTION**

FIG. 1 is a top front perspective view of a complex image player showing my new design;

FIG. 2 is a front elevational view thereof;

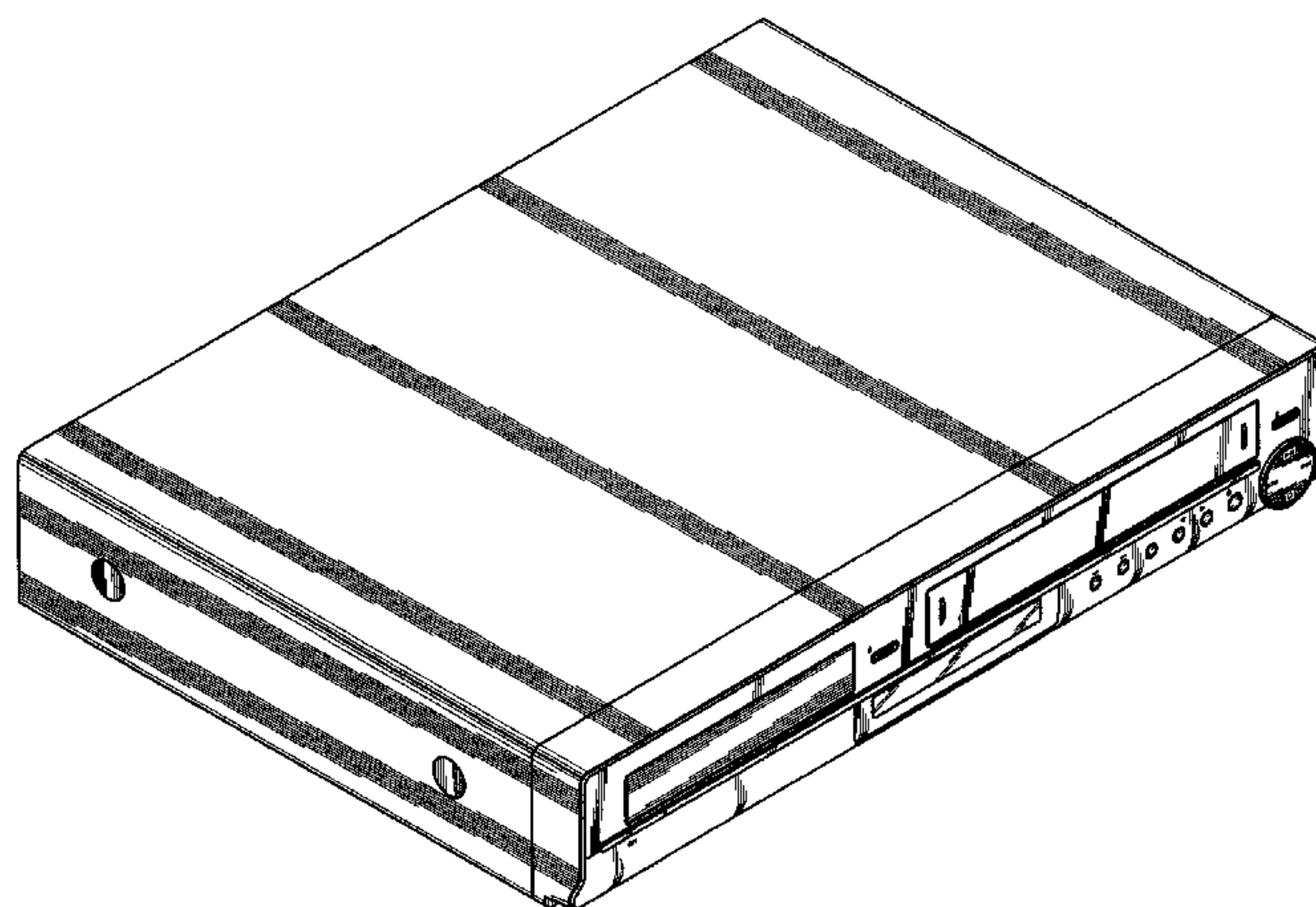
FIG. 3 is a rear elevational view thereof;

FIG. 4 is a left side elevational view, the right side being symmetrical thereof;

FIG. 5 is a top plan view thereof; and,

FIG. 6 is a bottom plan view.

**1 Claim, 5 Drawing Sheets**



OTHER PUBLICATIONS

U.S. Appl. No. 29/228,008, Applicant: Young-Sam Kwon, et al., filed Apr. 19, 2005 entitled Complex Image Player.  
U.S. Appl. No. 29/228,033, Applicant: Young-Sam Kwon, et al., filed Apr. 19, 2005 entitled Complex Image Player.  
U.S. Appl. No. 29/228,011, Applicant: Young-Sam Kwon, et al., filed Apr. 19, 2005 entitled Complex Image Player.  
U.S. Appl. No. 29/228,000, Applicant: Young-Sam Kwon, et al., filed Apr. 19, 2005 entitled DVD Player.  
U.S. Appl. No. 29/227,995, Applicant: Hyun-Teak Lim, et al., filed Apr. 19, 2005 entitled DVD Player.  
U.S. Appl. No. 29/231,247, Applicant: Ju-Won Cho, et al., filed Jun. 2, 2005 entitled DVD Player.  
U.S. Appl. No. 29/237,117, Applicant: Hyun-Teak Lim, et al., filed Aug. 26, 2005 entitled Blu-Ray Player.  
U.S. Appl. No. 29/237,118, Applicant: Hyun-Teak Lim, et al., filed Aug. 26, 2005 entitled DVD Recorder.  
U.S. Appl. No. 29/237,119, Applicant: Hyun-Teak Lim, et al., filed Aug. 26, 2005 entitled Blu-Ray Disk Player.

U.S. Appl. No. 29/237,120, Applicant: Jung-Hyun Park, et al., filed Aug. 26, 2005 entitled DVD Recorder.  
U.S. Appl. No. 29/237,122, Applicant: Jung-Hyun Park, et al., filed Aug. 26, 2005 entitled DVD Player.  
U.S. Appl. No. 29/237,123, Applicant: Hyun-Teak Lim, et al., filed Aug. 26, 2005 entitled DVD Recorder.  
U.S. Appl. No. 29/237,124, Applicant: Hyun-Teak Lim, et al., filed Aug. 26, 2005 entitled DVD Recorder.  
U.S. Appl. No. 29/241,754, Applicant: Jung-Hyun Park, filed Oct. 31, 2005 entitled DVD Recorder.  
U.S. Appl. No. 29/241,755, Applicant: Jung-Hyun Park, filed Oct. 31, 2005 entitled DVD Recorder.  
U.S. Appl. No. 29/241,757, Applicant: Jung-Hyun Park, filed Oct. 31, 2005 entitled Complex Image Player.  
U.S. Appl. No. 29/241,719, Applicant: Jung-Hyun Park, filed Oct. 31, 2005 entitled DVD Player.  
U.S. Appl. No. 29/241,751, Applicant: Jung-Hyun Park, filed Oct. 31, 2005 entitled DVD Player.

\* cited by examiner



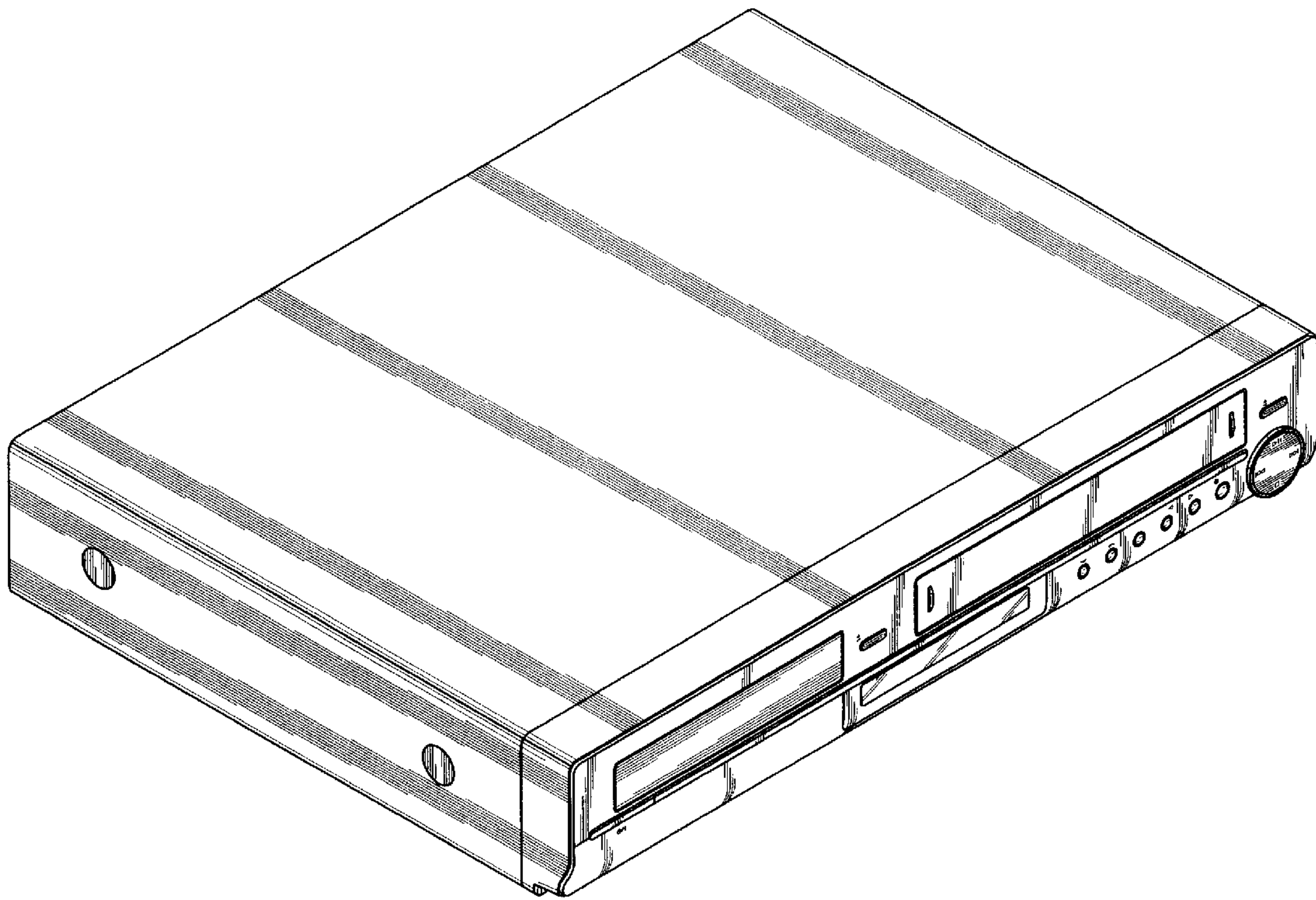


FIG. 1

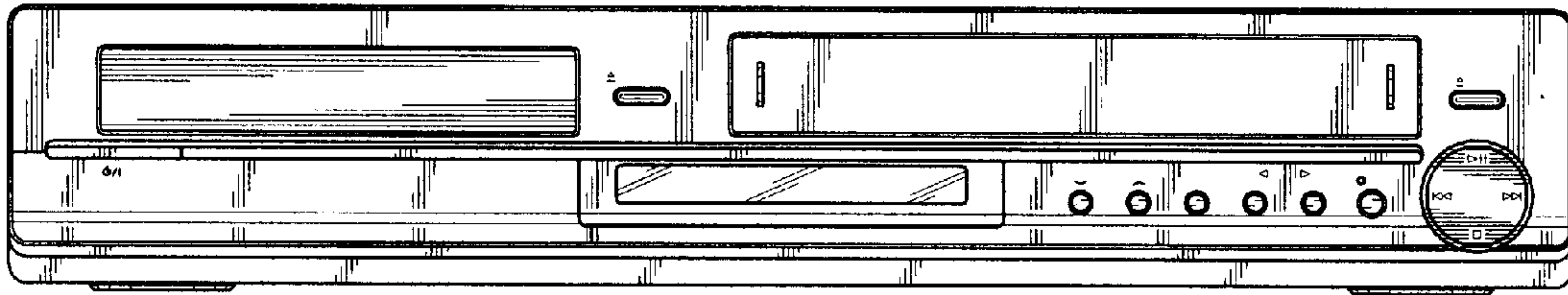


FIG. 2

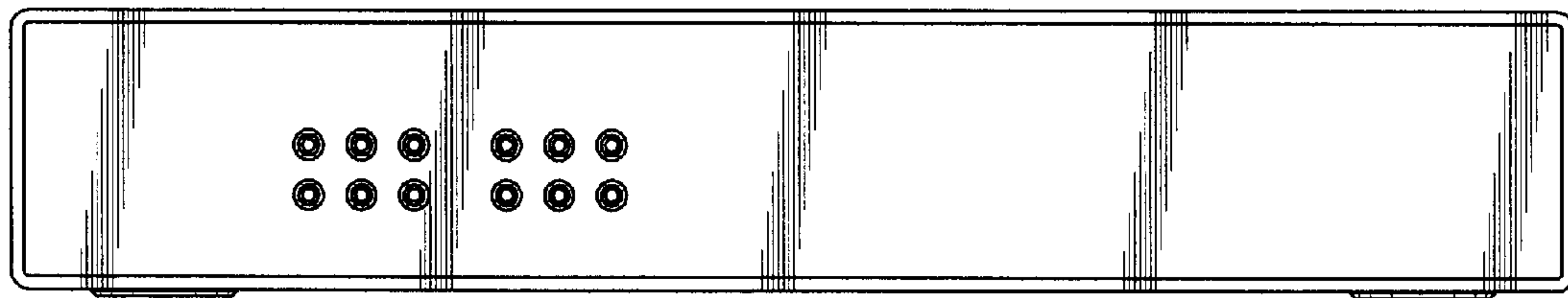


FIG. 3

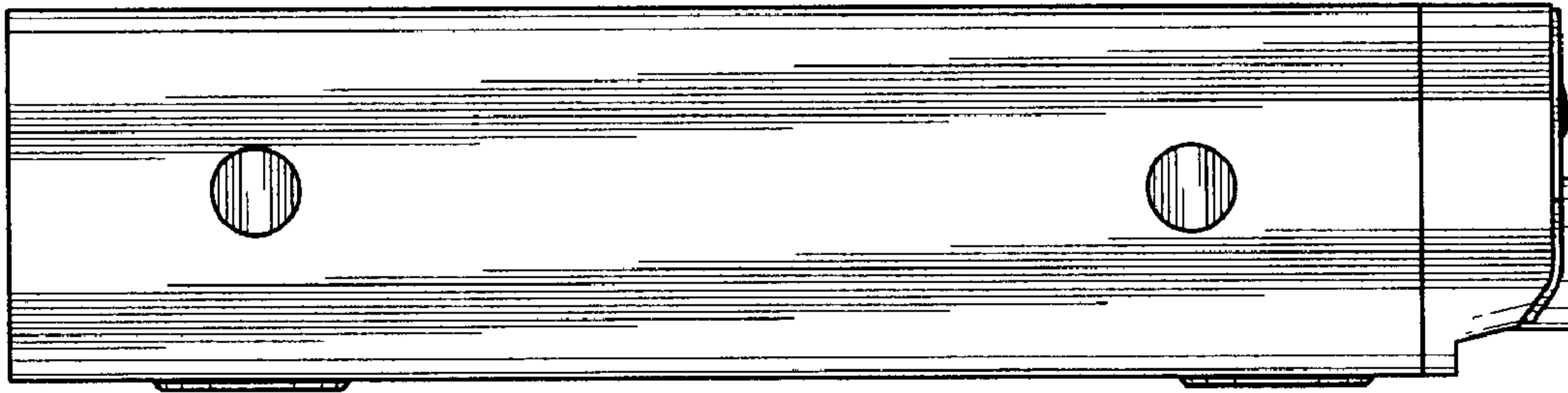


FIG. 4

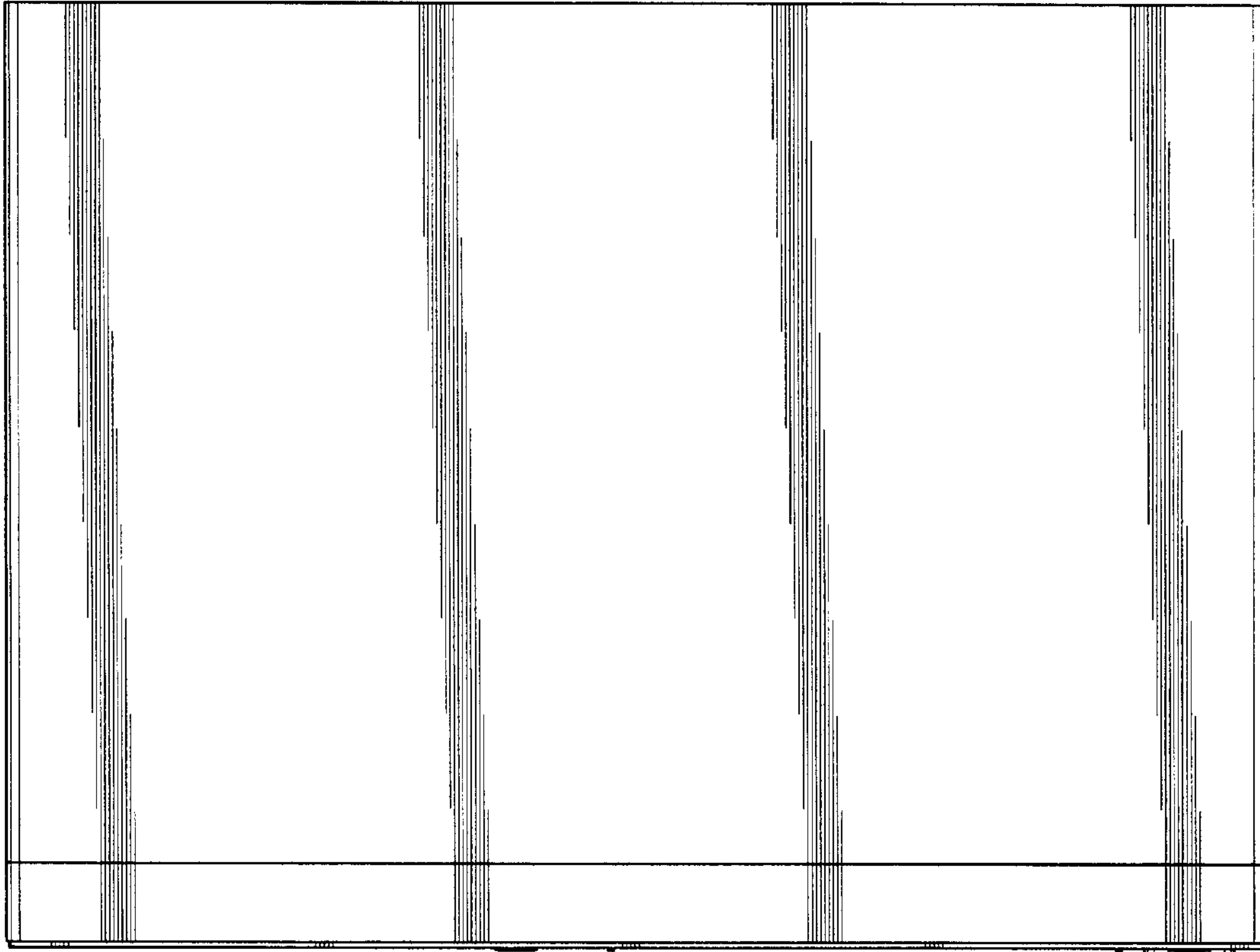


FIG. 5

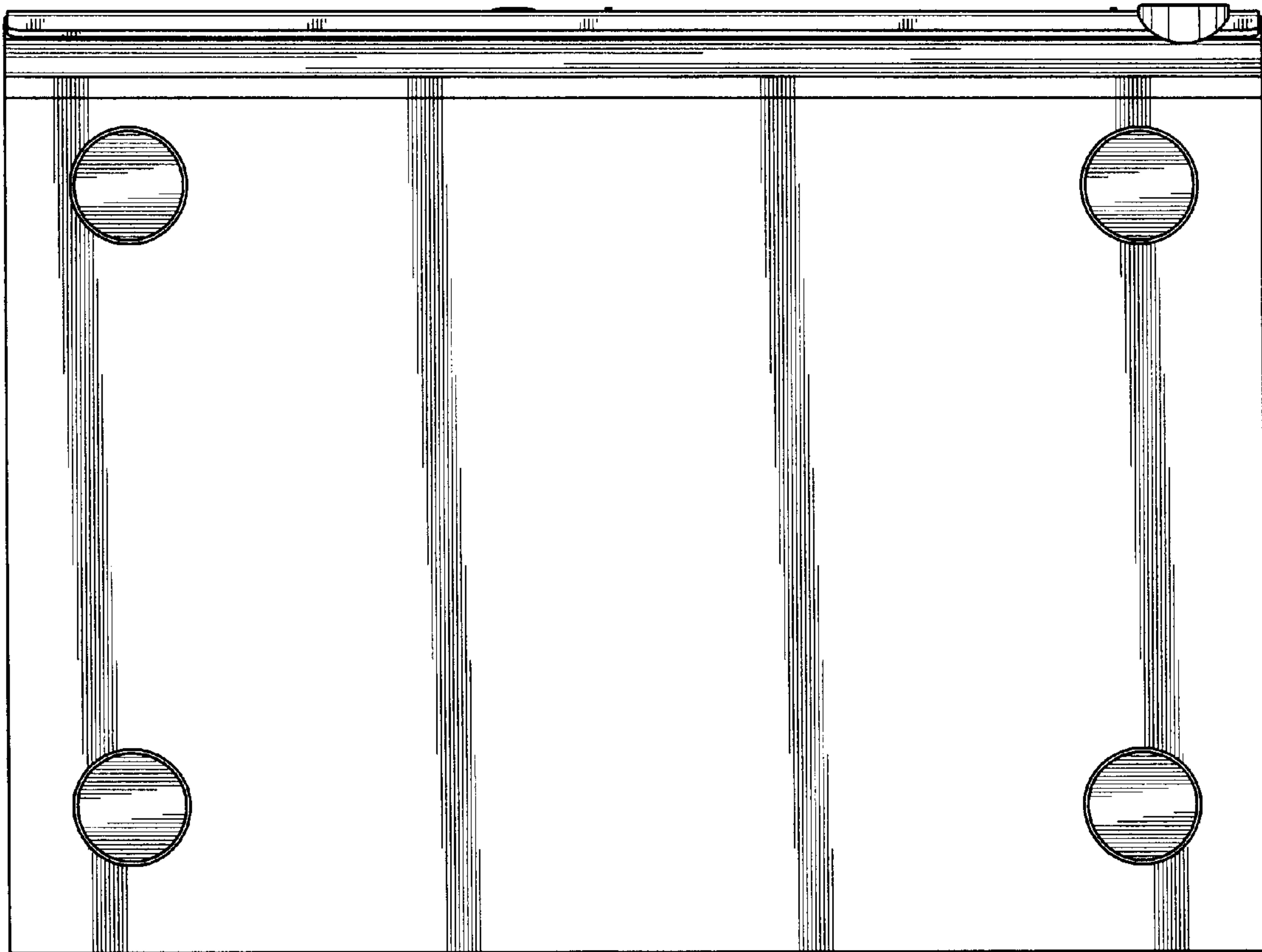


FIG. 6