



US00D539249S

(12) **United States Design Patent**
Peng

(10) **Patent No.:** **US D539,249 S**

(45) **Date of Patent:** **** Mar. 27, 2007**

(54) **PORTABLE DVD**

(75) Inventor: **Juen Tien Peng**, Chungli (TW)

(73) Assignee: **Action Electronics Co., Ltd.**, Chungli (TW)

(**) Term: **14 Years**

(21) Appl. No.: **29/240,744**

(22) Filed: **Oct. 17, 2005**

(51) **LOC (8) Cl.** **14-01**

(52) **U.S. Cl.** **D14/136**

(58) **Field of Classification Search** D14/135-136,
D14/156-157, 160-165, 167-168, 192-198,
D14/188; 360/99.02, 99.07, 75.11, 75.21,
360/77.21; 720/612, 619, 647, 655; 455/344,
455/347-351; 369/77.11

See application file for complete search history.

(56) **References Cited**

U.S. PATENT DOCUMENTS

5,859,828 A * 1/1999 Ishibashi 720/655

D410,463 S * 6/1999 Hattori D14/156

D416,896 S * 11/1999 Ogasawara D14/156

D469,751 S * 2/2003 Kimura D14/156

D500,299 S * 12/2004 Obata D14/156

* cited by examiner

Primary Examiner—Nanda Bondade

(74) *Attorney, Agent, or Firm*—Charles E. Baxley

(57) **CLAIM**

The ornamental design for a portable DVD, as shown and described.

DESCRIPTION

FIG. 1 is a top perspective view of a portable DVD showing my new design;

FIG. 2 is a front elevational view thereof;

FIG. 3 is a rear elevational view thereof;

FIG. 4 is a top plan view thereof;

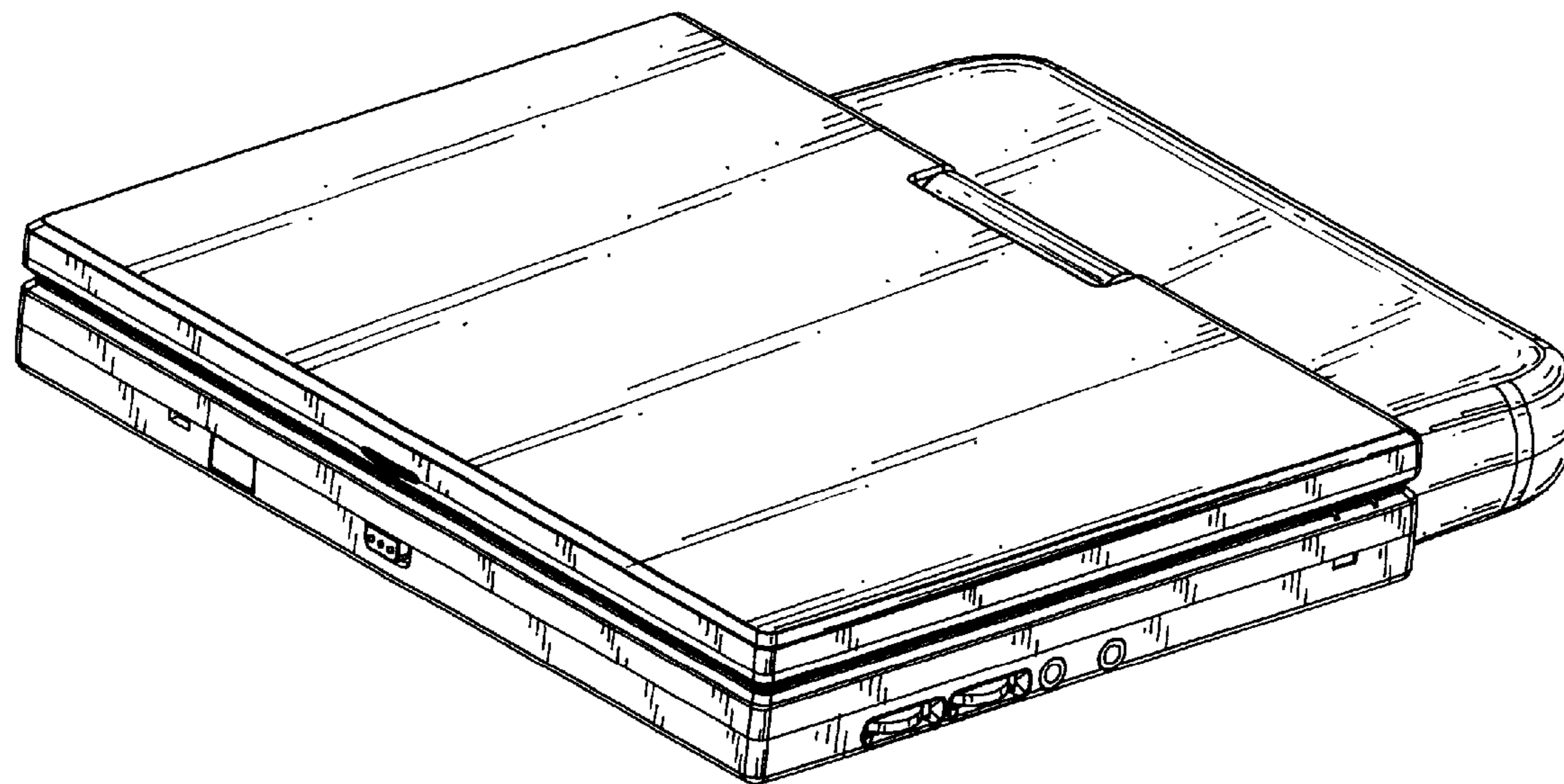
FIG. 5 is a bottom plan view thereof;

FIG. 6 is a left side elevational view thereof;

FIG. 7 is a right side elevational view thereof; and,

FIG. 8 is a bottom perspective view thereof.

1 Claim, 6 Drawing Sheets



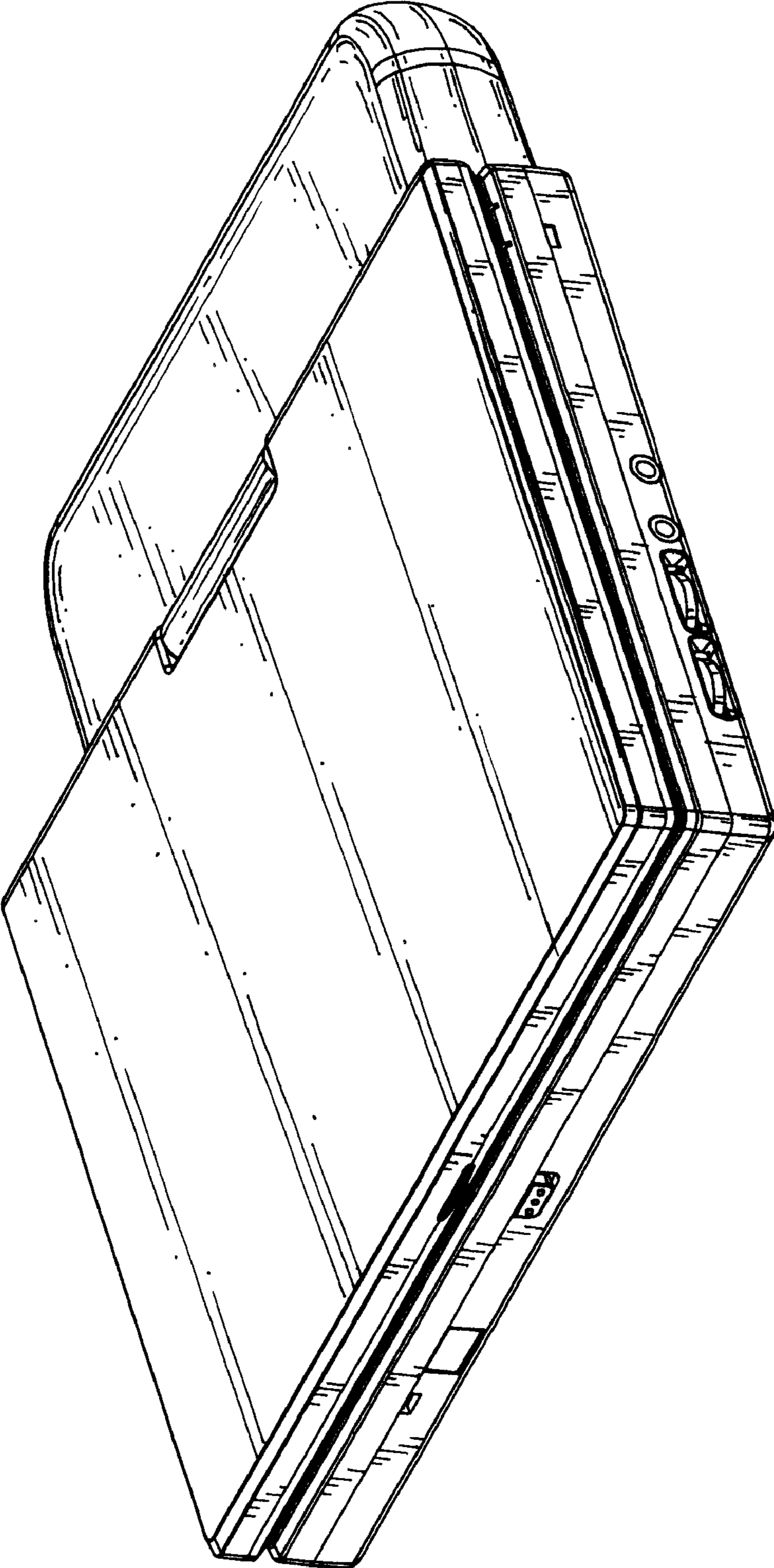


FIG. 1

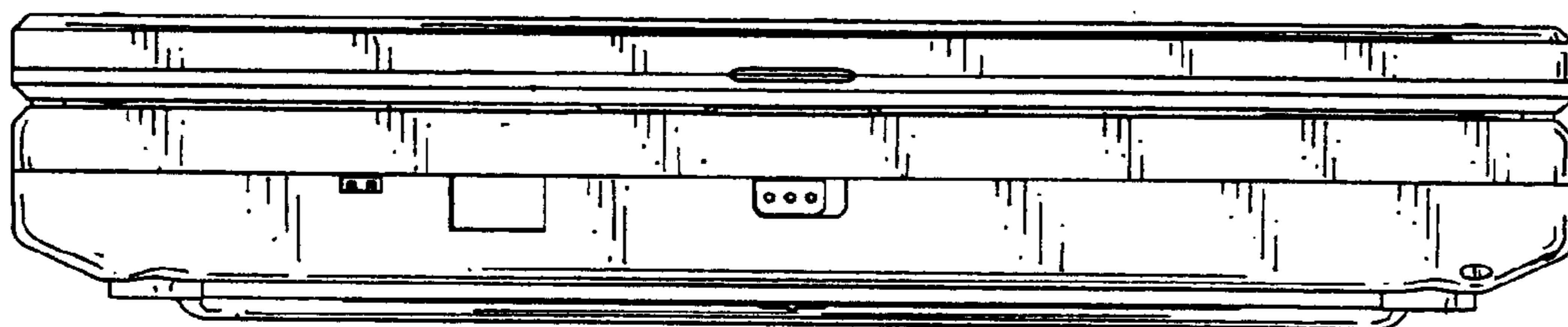


FIG. 2

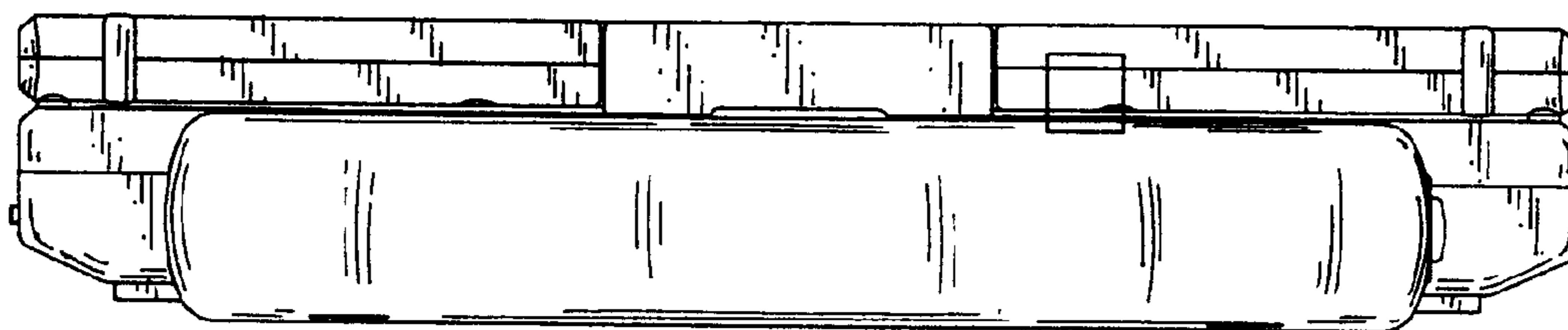


FIG. 3

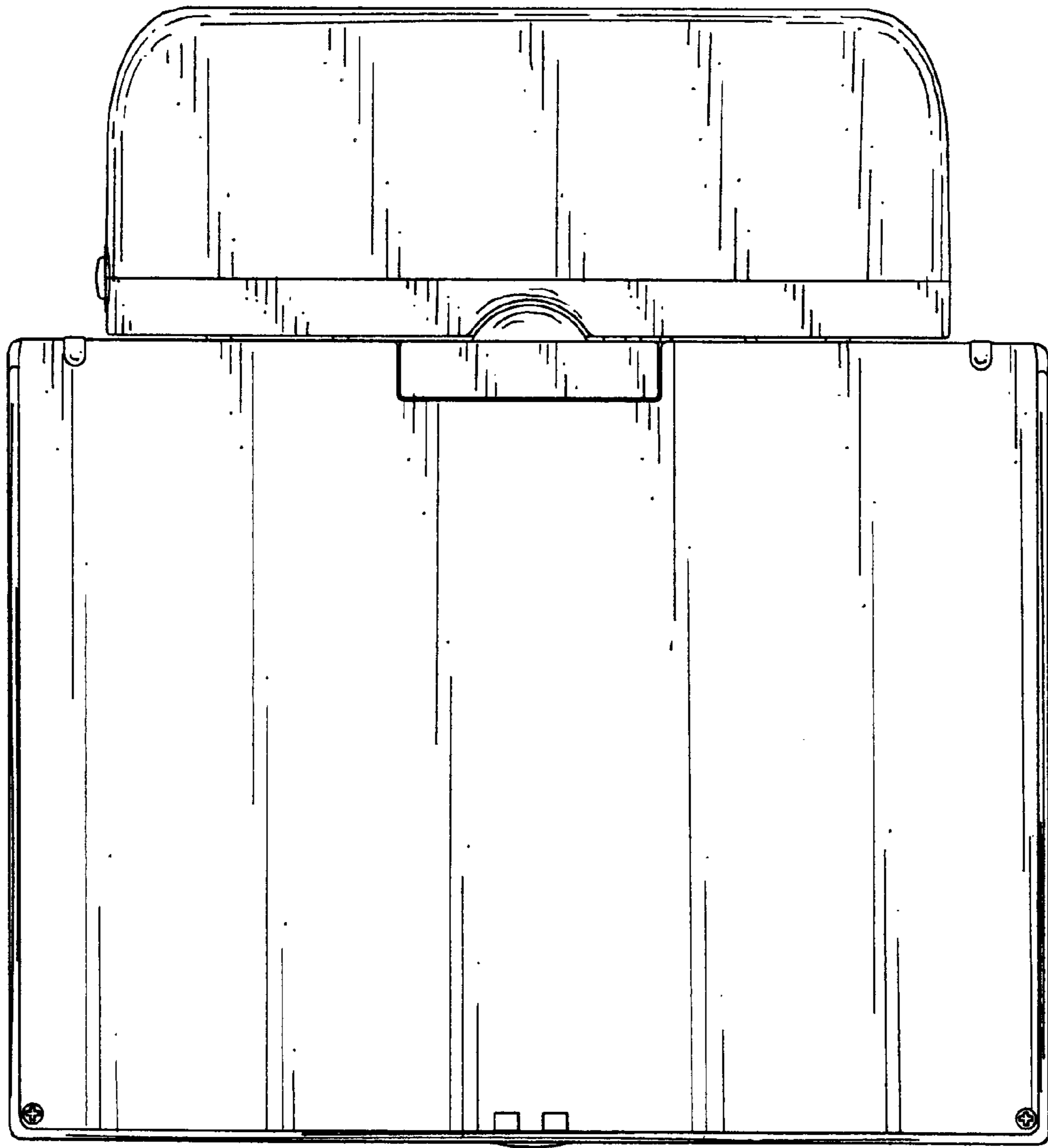


FIG. 4

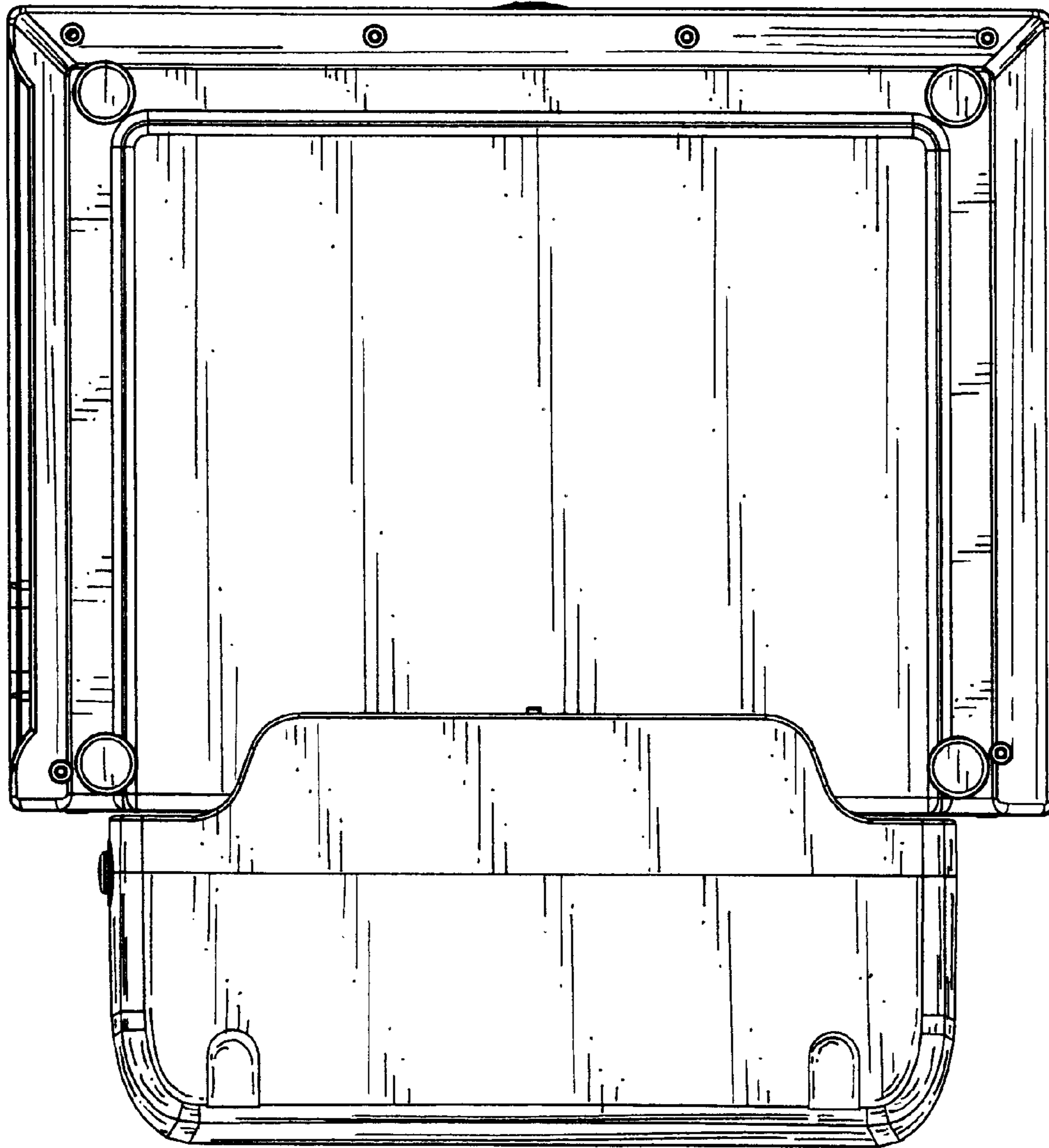


FIG. 5

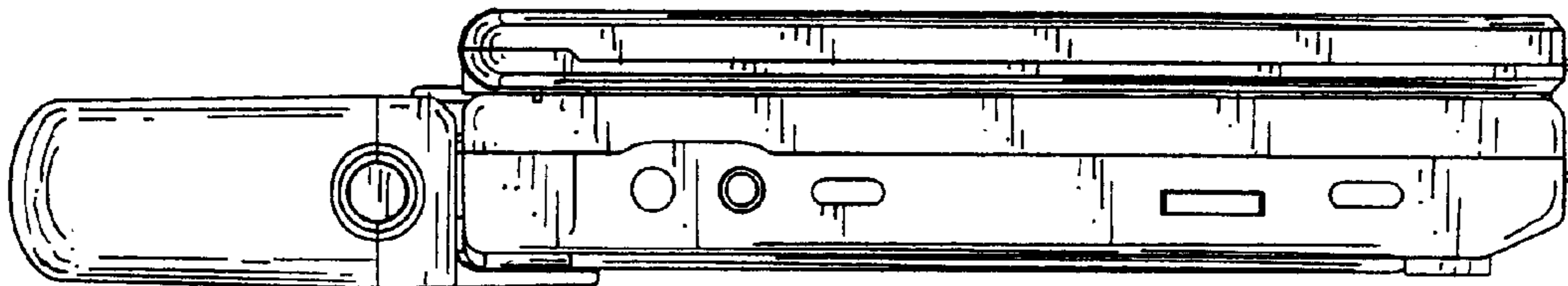


FIG. 6

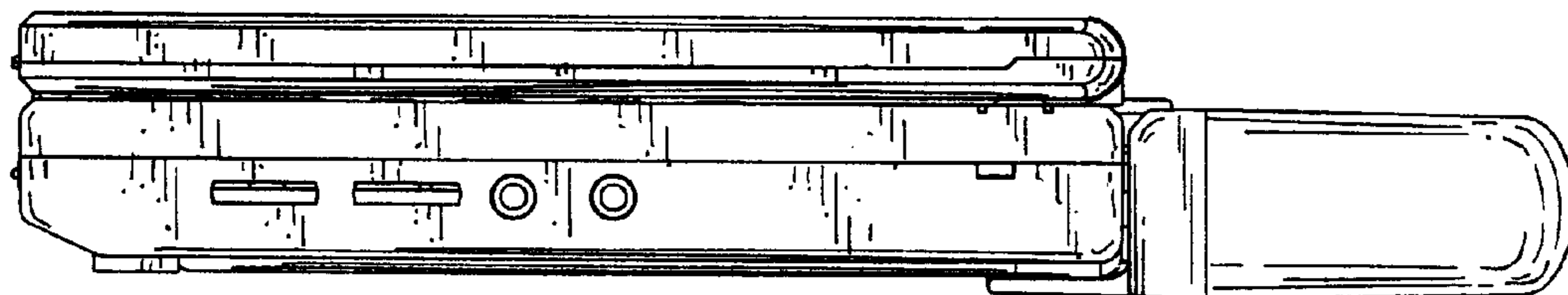


FIG. 7

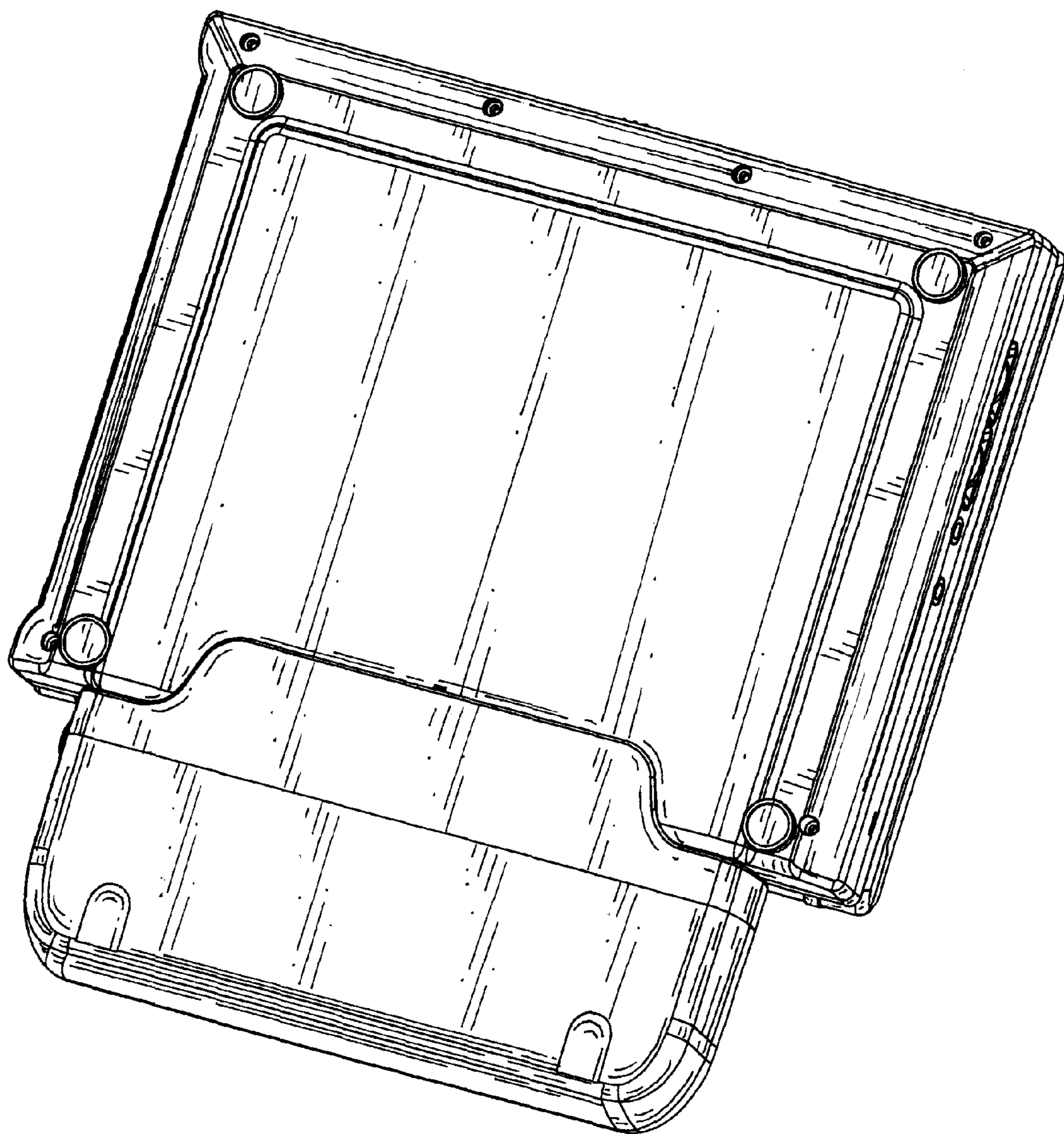


FIG. 8