



US00D539248S

(12) **United States Design Patent**
Wang et al.

(10) **Patent No.:** **US D539,248 S**
(45) **Date of Patent:** **** Mar. 27, 2007**

(54) **TV MONITOR**

(75) Inventors: **Beniz Wang**, Banciao (TW);
Tien-Ming Chan, Taipei (TW)

(73) Assignee: **Inventec Corporation**, Taipei (TW)

(**) Term: **14 Years**

(21) Appl. No.: **29/229,890**

(22) Filed: **May 12, 2005**

(51) **LOC (8) Cl.** **14-03**

(52) **U.S. Cl.** **D14/134; D14/126**

(58) **Field of Classification Search** D14/125-134,
D14/239, 371, 136, 374-377; 312/7.2; 348/836,
348/838, 180, 184, 325, 739; 341/12; 248/917-924,
248/465; 345/104, 133, 156, 168, 87, 173;
720/605, 669, 600, 655; 369/99, 197; 455/344-347
See application file for complete search history.

(56) **References Cited**

U.S. PATENT DOCUMENTS

D336,637 S * 6/1993 Abe et al. D14/337
D356,081 S * 3/1995 Naito et al. D14/129
D362,236 S * 9/1995 Dann et al. D14/129

D383,733 S * 9/1997 Mieki D14/336
D410,447 S * 6/1999 Chang D14/375
D411,180 S * 6/1999 Vossoughi et al. D14/126
6,256,192 B1 * 7/2001 Shannon 361/683
D496,662 S * 9/2004 Borsboom D14/371
6,819,550 B2 * 11/2004 Jobs et al. 361/683
D526,974 S * 8/2006 Reza et al. D14/134

* cited by examiner

Primary Examiner—Raphael Barkai

(74) *Attorney, Agent, or Firm*—Apex Juris, pllc; Tracy M. Heims

(57) **CLAIM**

I claim the ornamental design for a TV monitor, as shown.

DESCRIPTION

FIG. 1 is a 3D of vertical view of a TV monitor showing my new design

FIG. 2 is a front view thereof

FIG. 3 is a rear view thereof

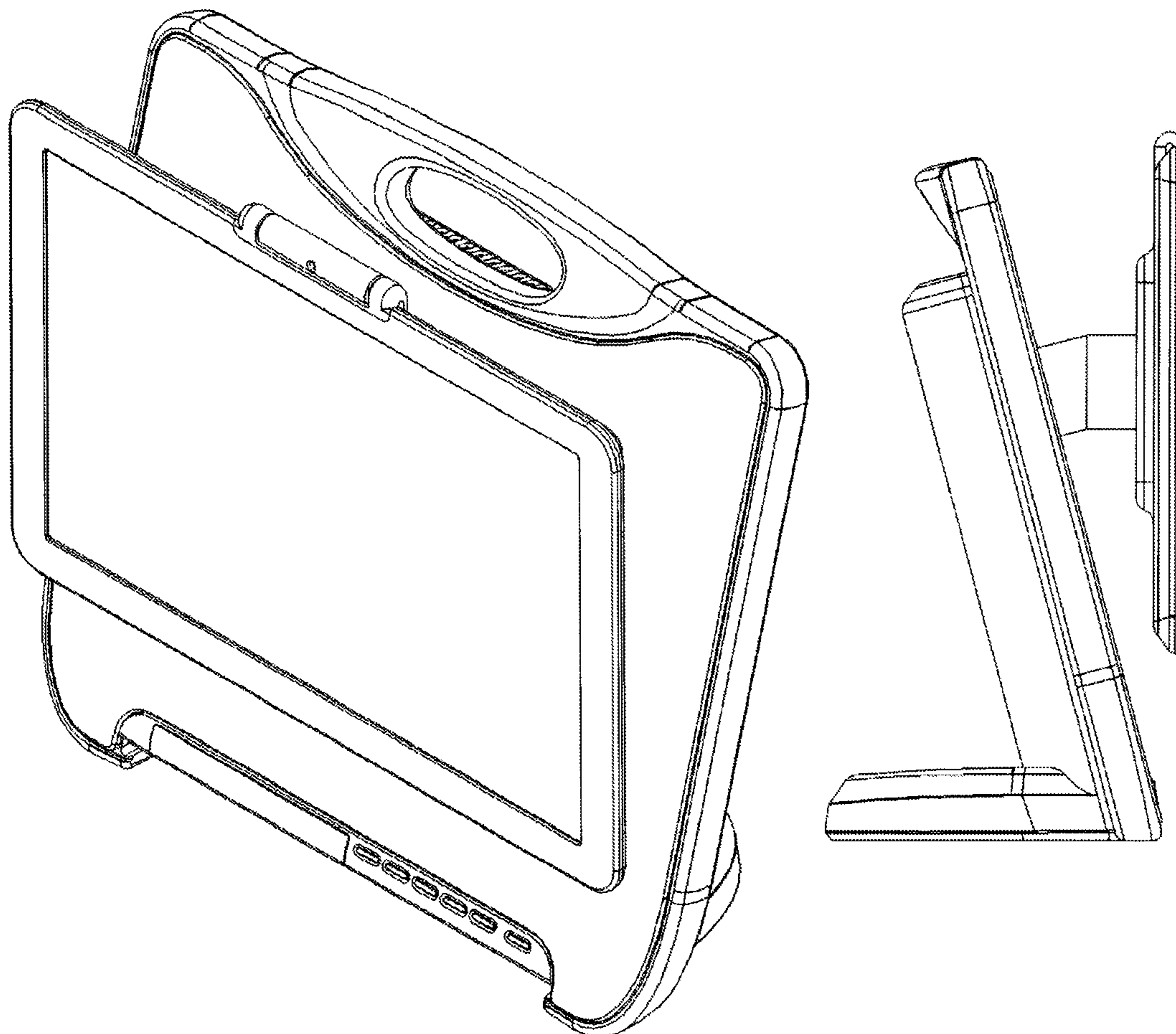
FIG. 4 is a left side view thereof

FIG. 5 is a right side view thereof

FIG. 6 is a top view thereof; and,

FIG. 7 is a bottom view thereof.

1 Claim, 7 Drawing Sheets



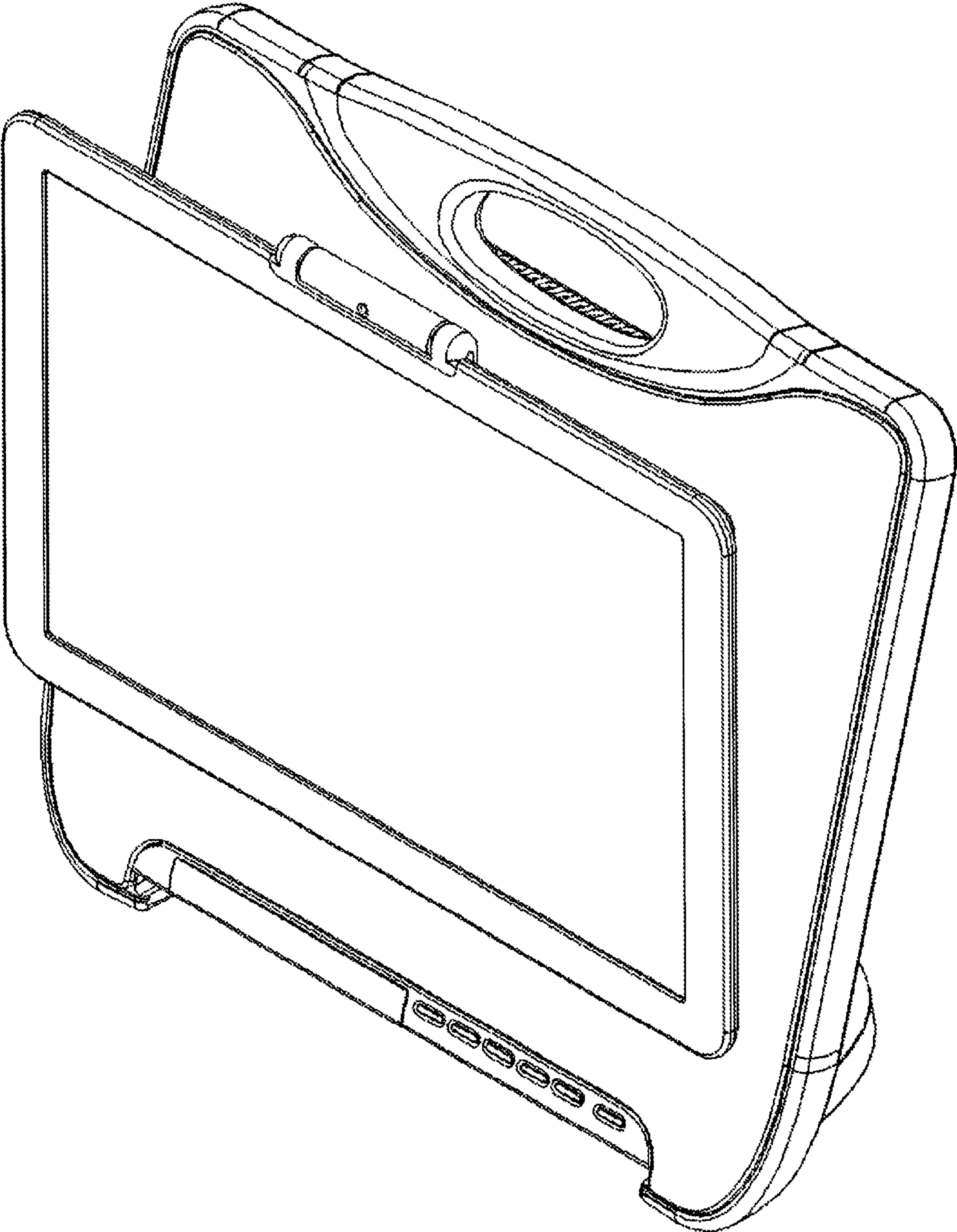


FIG.1

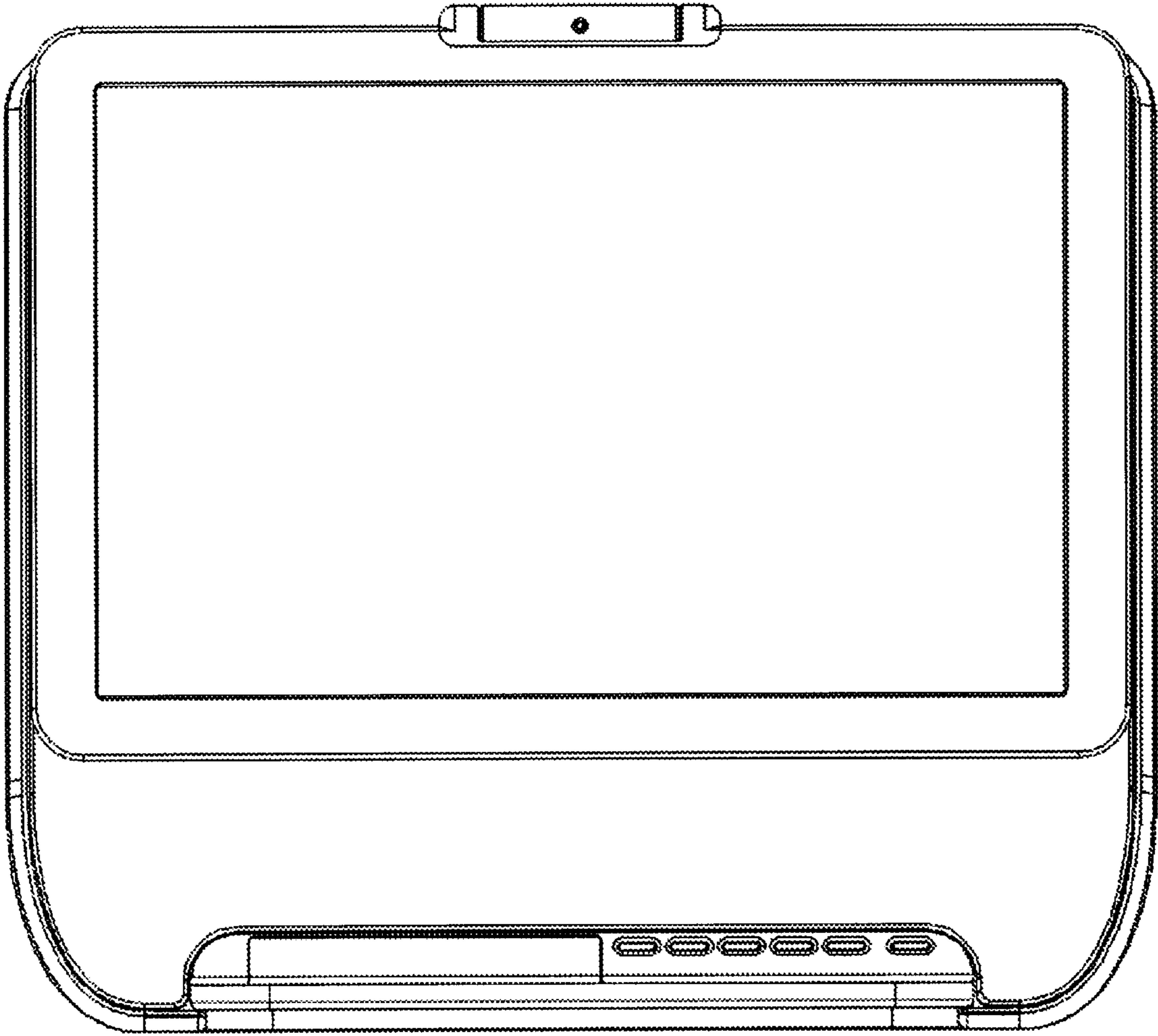


FIG.2

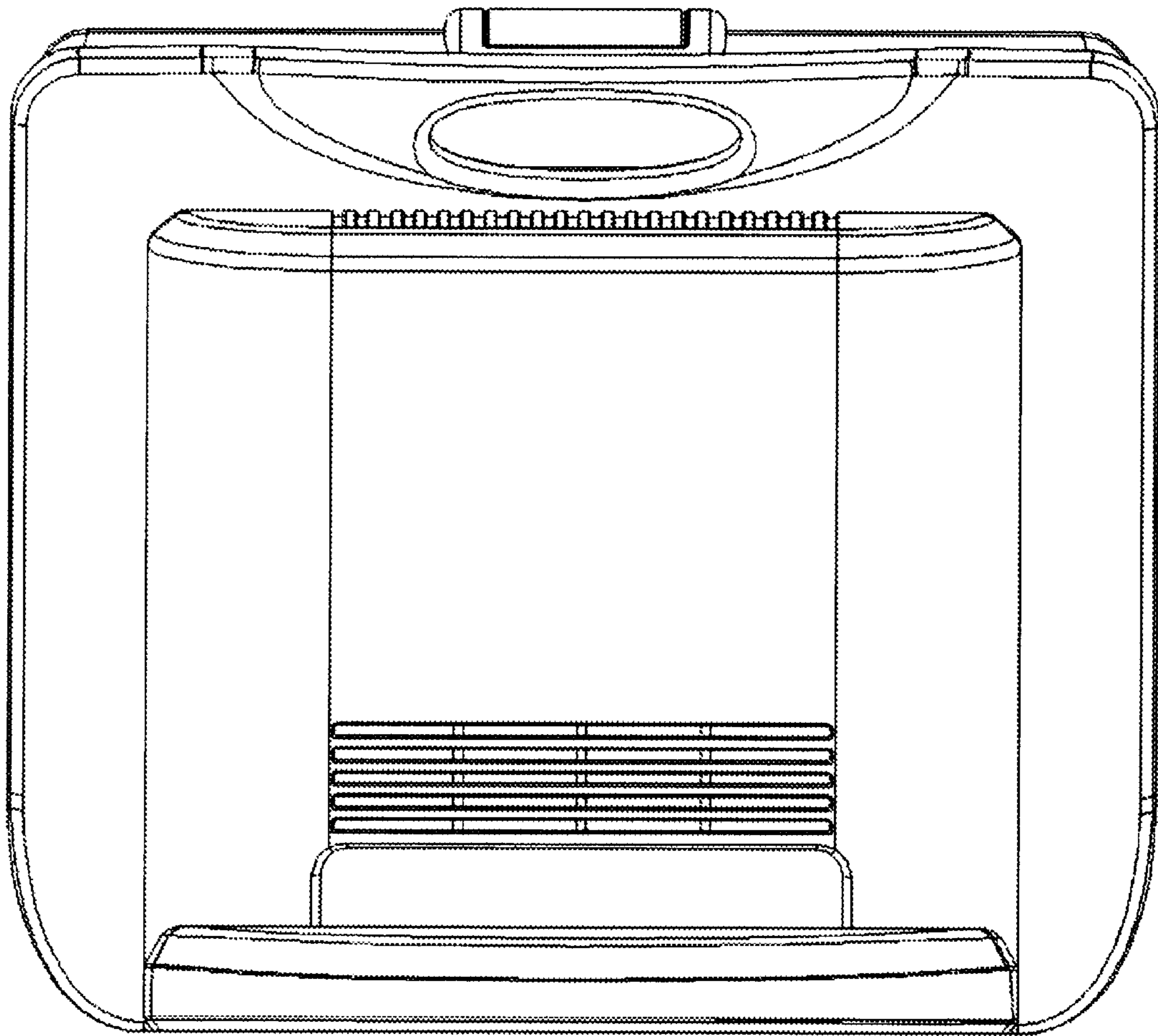


FIG.3

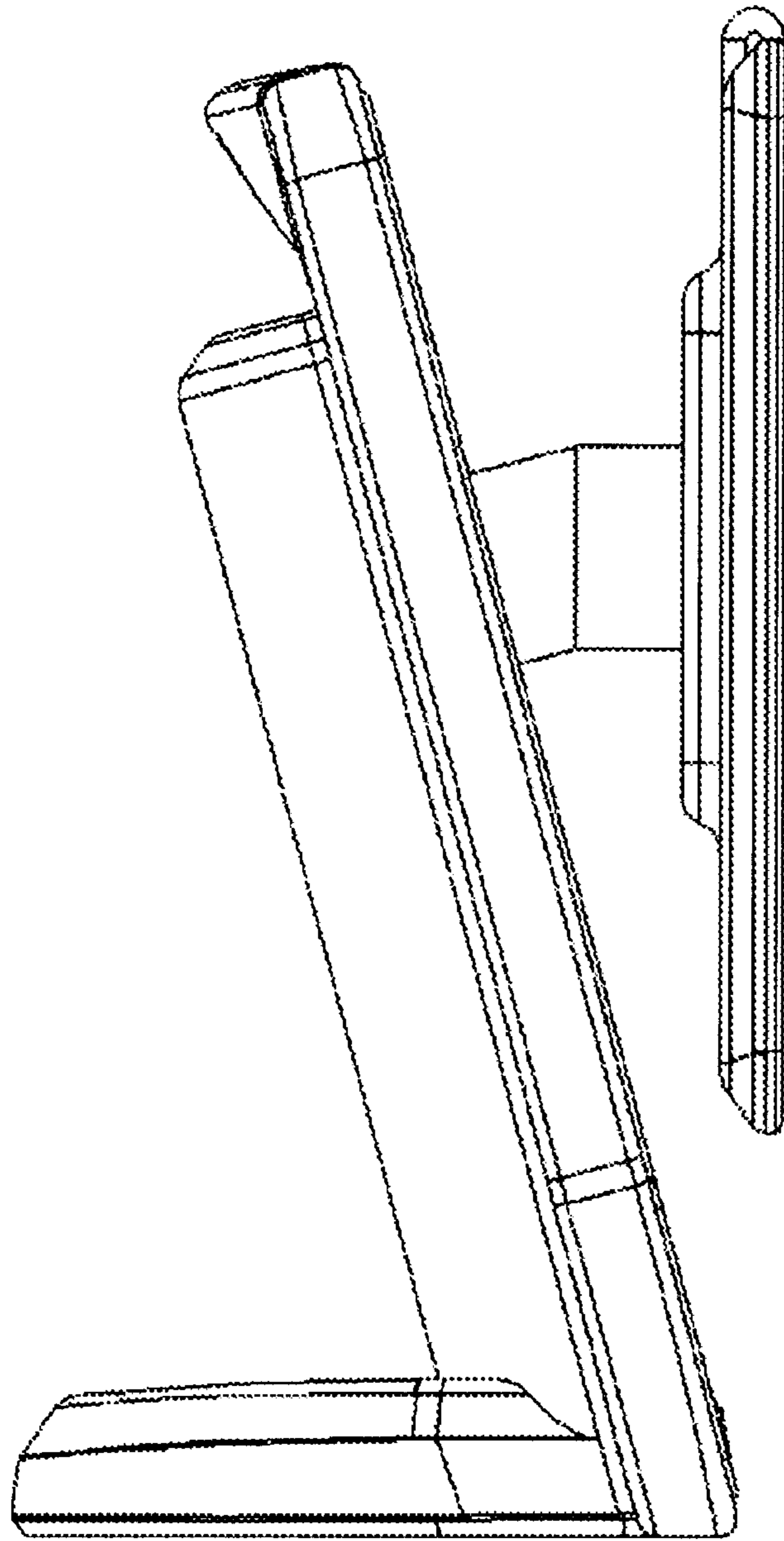


FIG. 4

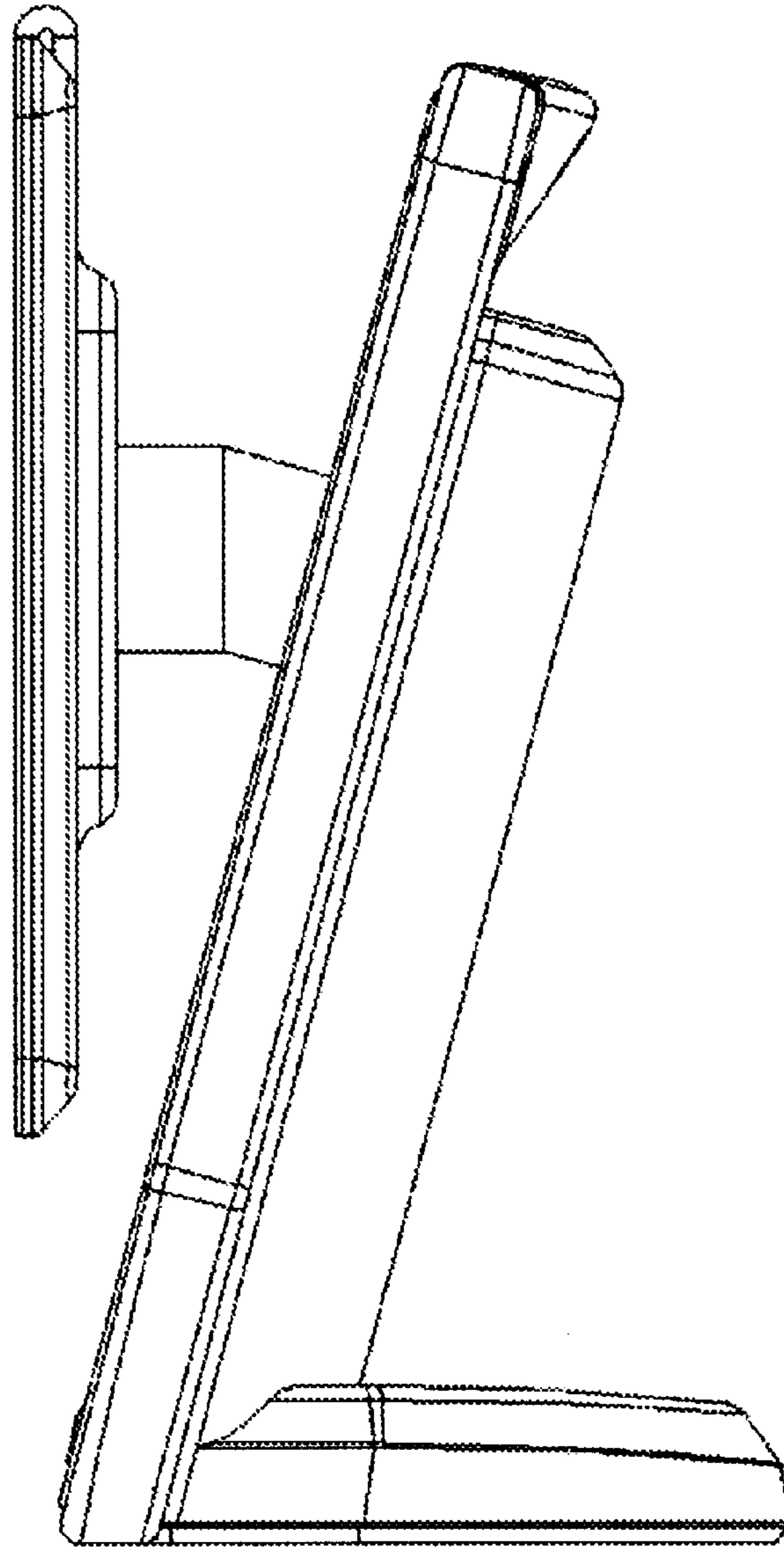


FIG. 5

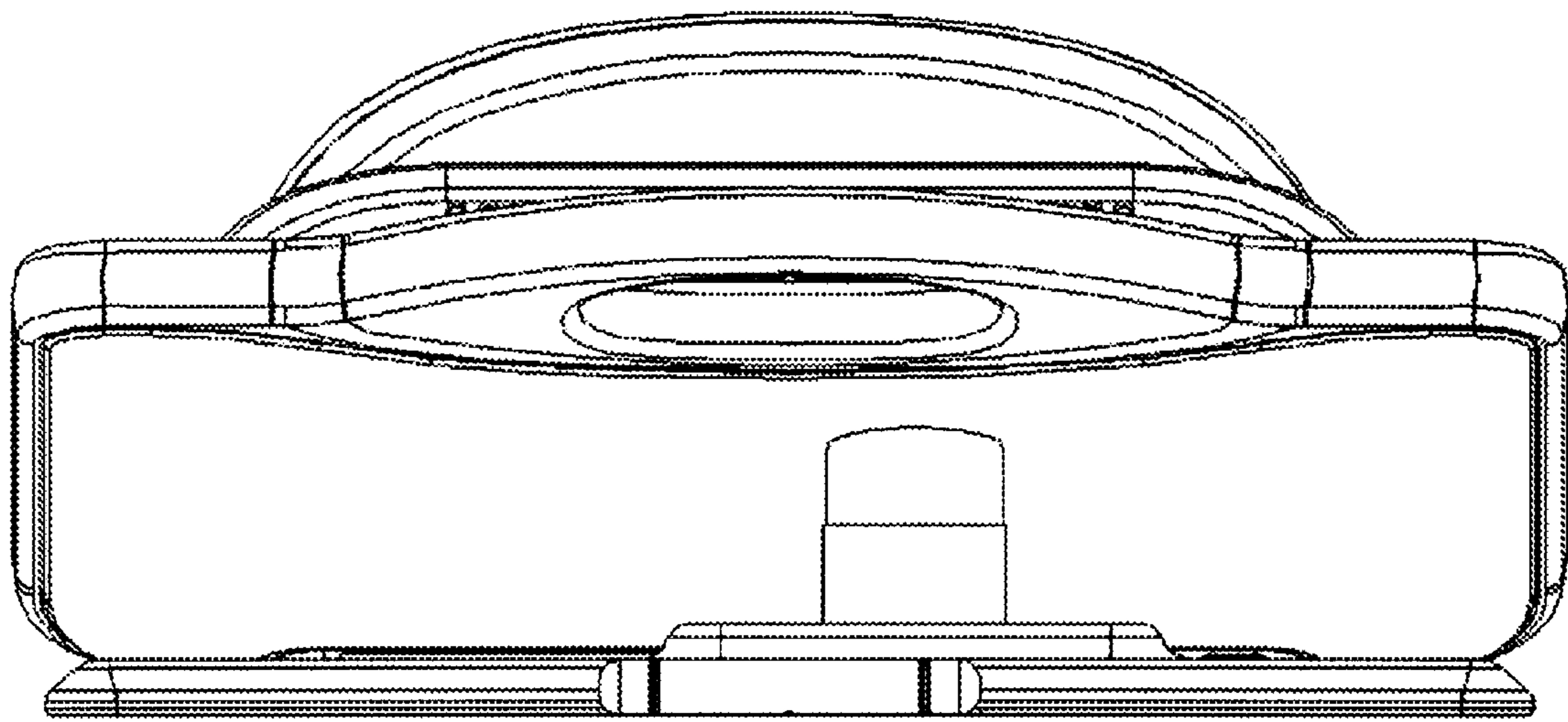


FIG.6

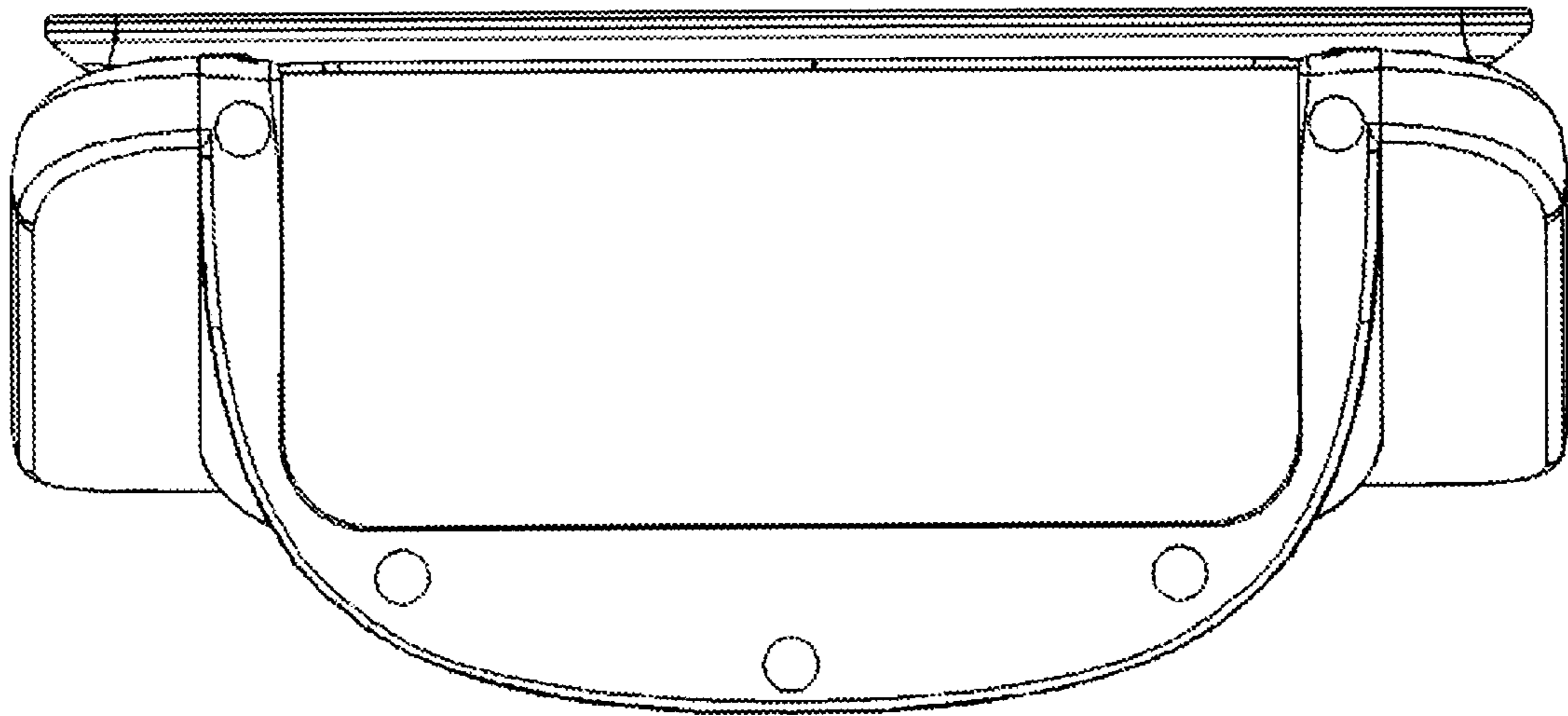


FIG. 7