

US00D539247S

(12) **United States Design Patent**
Lee

(10) **Patent No.:** **US D539,247 S**
(45) **Date of Patent:** **** Mar. 27, 2007**

(54) **DVD PLAYER-COMBINED TELEVISION RECEIVER**

(75) Inventor: **Young A Lee**, Seoul (KR)

(73) Assignee: **LG Electronics Inc.**, Seoul (KR)

(**) Term: **14 Years**

(21) Appl. No.: **29/236,786**

(22) Filed: **Aug. 23, 2005**

(30) **Foreign Application Priority Data**

Feb. 25, 2005 (KR) 30-2005-0006250

(51) **LOC (8) Cl.** **14-03**

(52) **U.S. Cl.** **D14/129; D14/126**

(58) **Field of Classification Search** D14/125,
D14/126, 127, 128, 129, 133, 134, 374, 375,
D14/376; 348/836, 838, 180, 184, 325, 739;
248/917-924; 345/104, 133, 156, 168, 87,
345/173; 341/12; 720/605, 669, 600, 655;
369/99, 197; 455/344, 345, 346, 347, 566
See application file for complete search history.

(56) **References Cited**

U.S. PATENT DOCUMENTS

D431,537 S * 10/2000 Saeki et al. D14/126
D454,845 S * 3/2002 Niitsu D14/126
D476,632 S * 7/2003 Inoue et al. D14/126

D488,451 S * 4/2004 Niitsu D14/126
D496,341 S * 9/2004 Nakata et al. D14/126
D497,146 S * 10/2004 Asanuma et al. D14/126
D504,669 S * 5/2005 Fujiki D14/126
D505,926 S * 6/2005 Inoue et al. D14/126
D510,567 S * 10/2005 Honda D14/126
D511,152 S * 11/2005 Lee D14/126
D511,754 S * 11/2005 Hirano D14/128
D512,034 S * 11/2005 Peng D14/129
D513,241 S * 12/2005 Huang D14/126

* cited by examiner

Primary Examiner—Philip S. Hyder

(74) *Attorney, Agent, or Firm*—Birch, Stewart, Kolasch & Birch, LLP

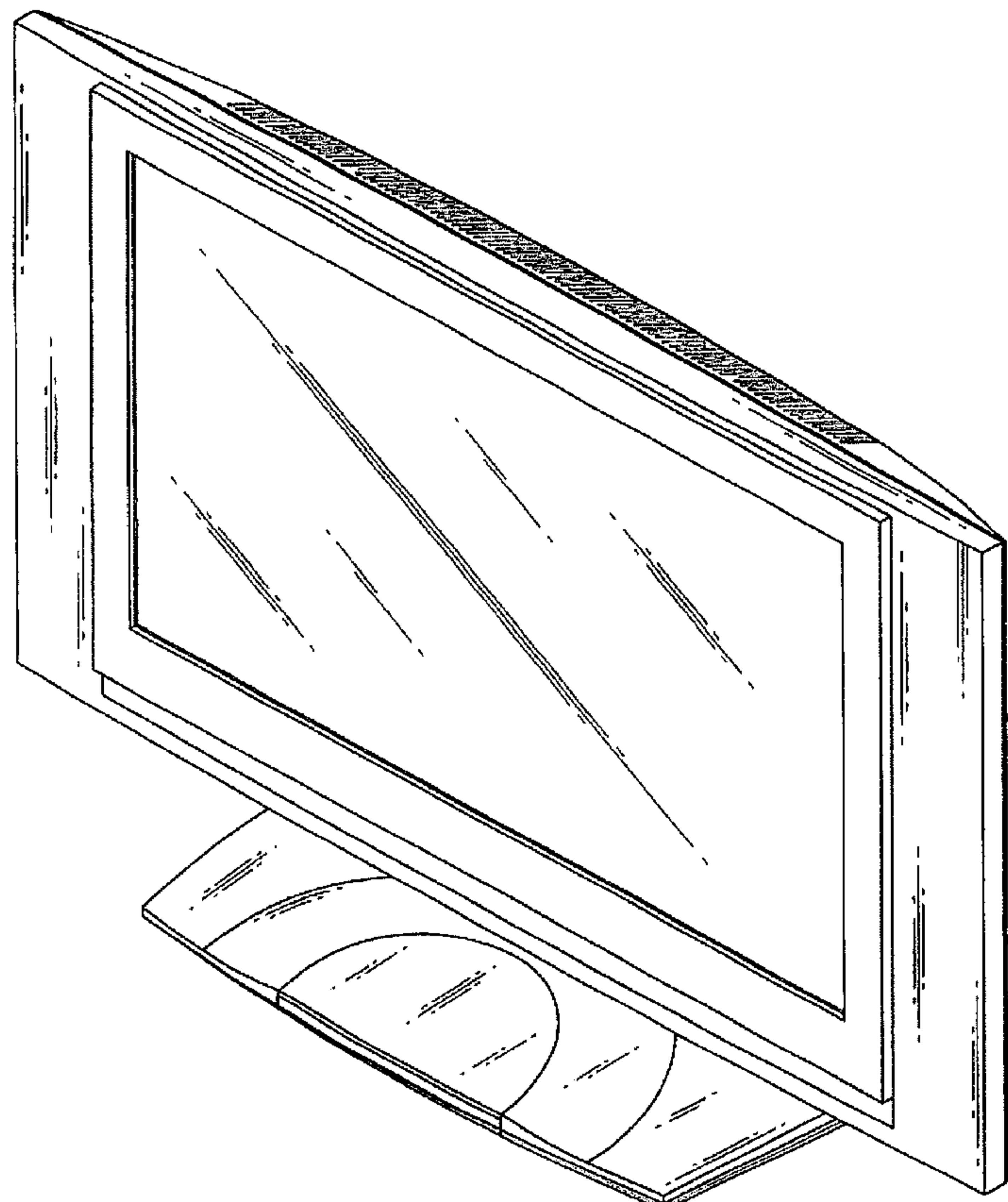
(57) **CLAIM**

I claim the ornamental design for DVD player-combined television receiver, as shown and described.

DESCRIPTION

FIG. 1 is a perspective view of DVD player-combined television receiver showing the new design; FIG. 2 is a front elevation view thereof; FIG. 3 is a rear elevation view thereof; FIG. 4 is a left-side elevation view thereof; FIG. 5 is a right-side elevation view thereof; FIG. 6 is a top plan view thereof; and, FIG. 7 is a bottom plan view thereof.

1 Claim, 5 Drawing Sheets



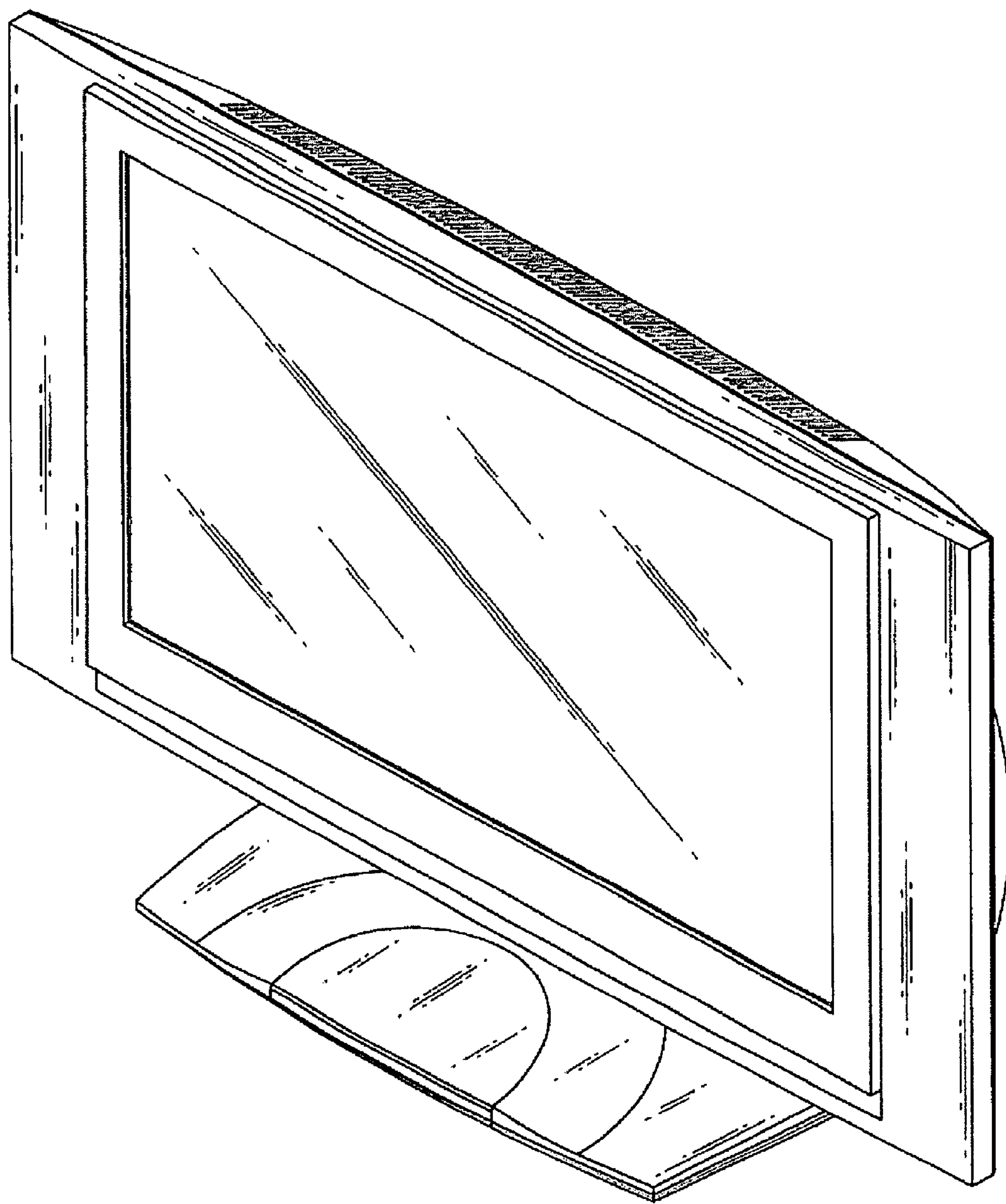


FIG. 1

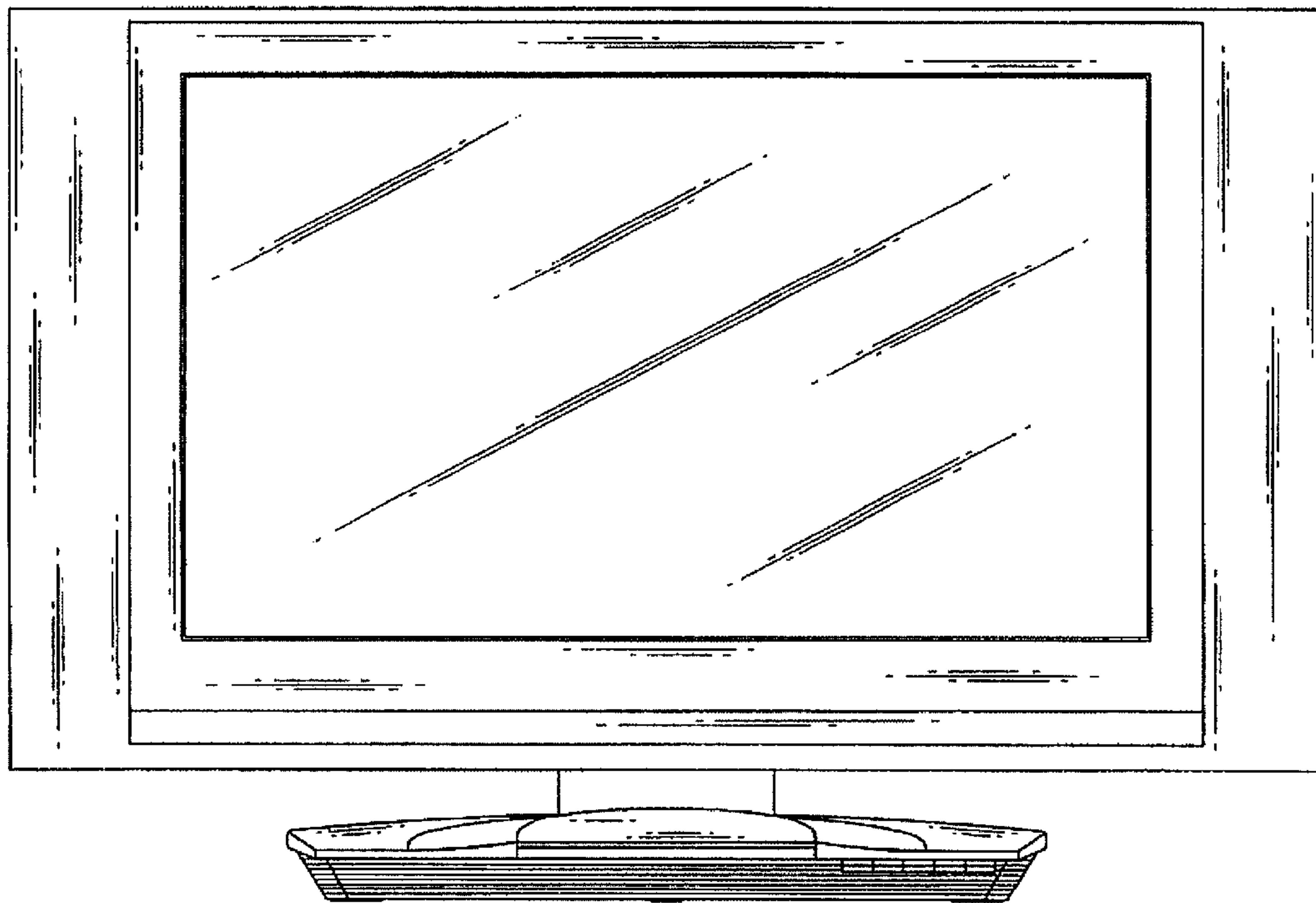


FIG. 2

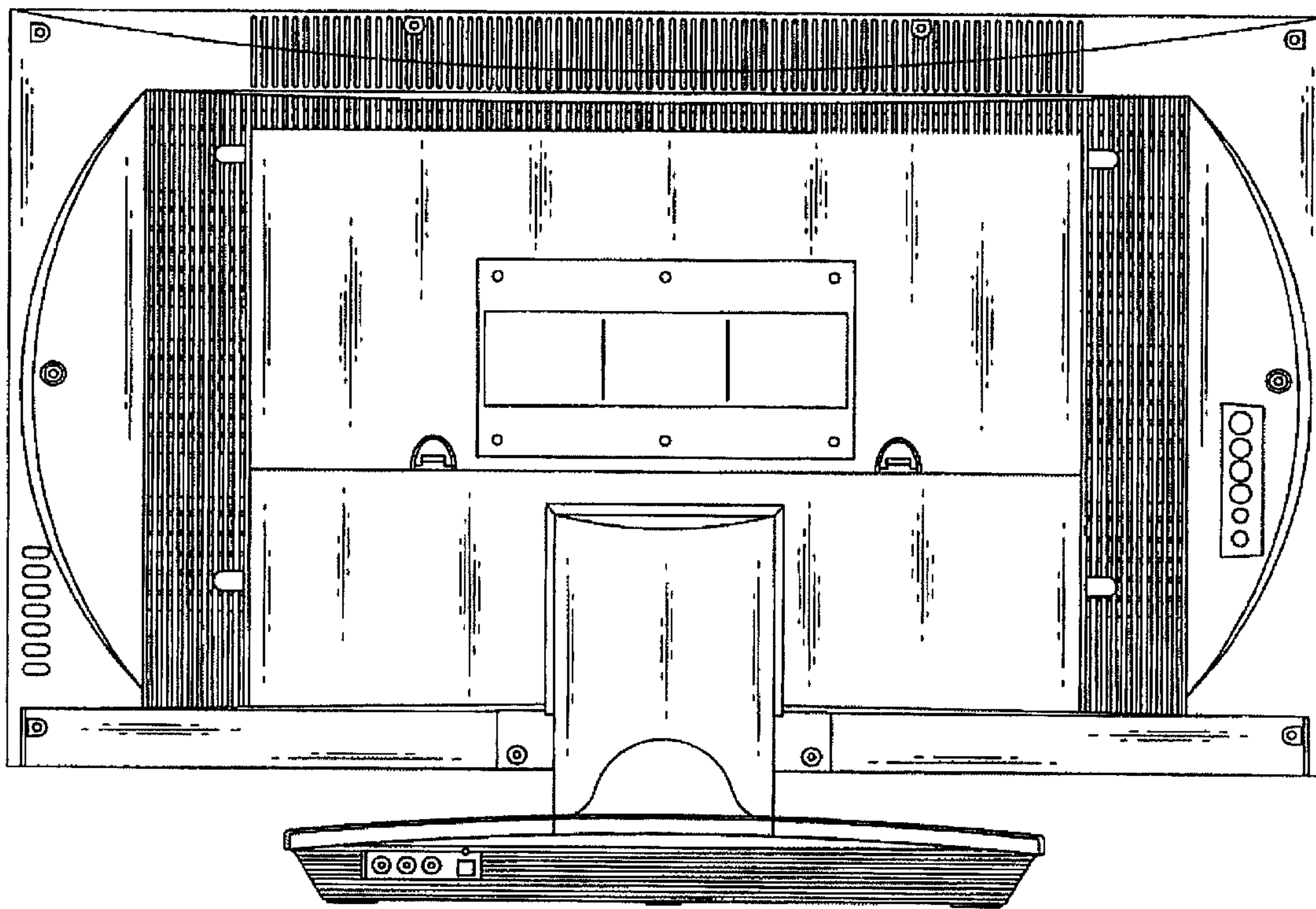


FIG.3

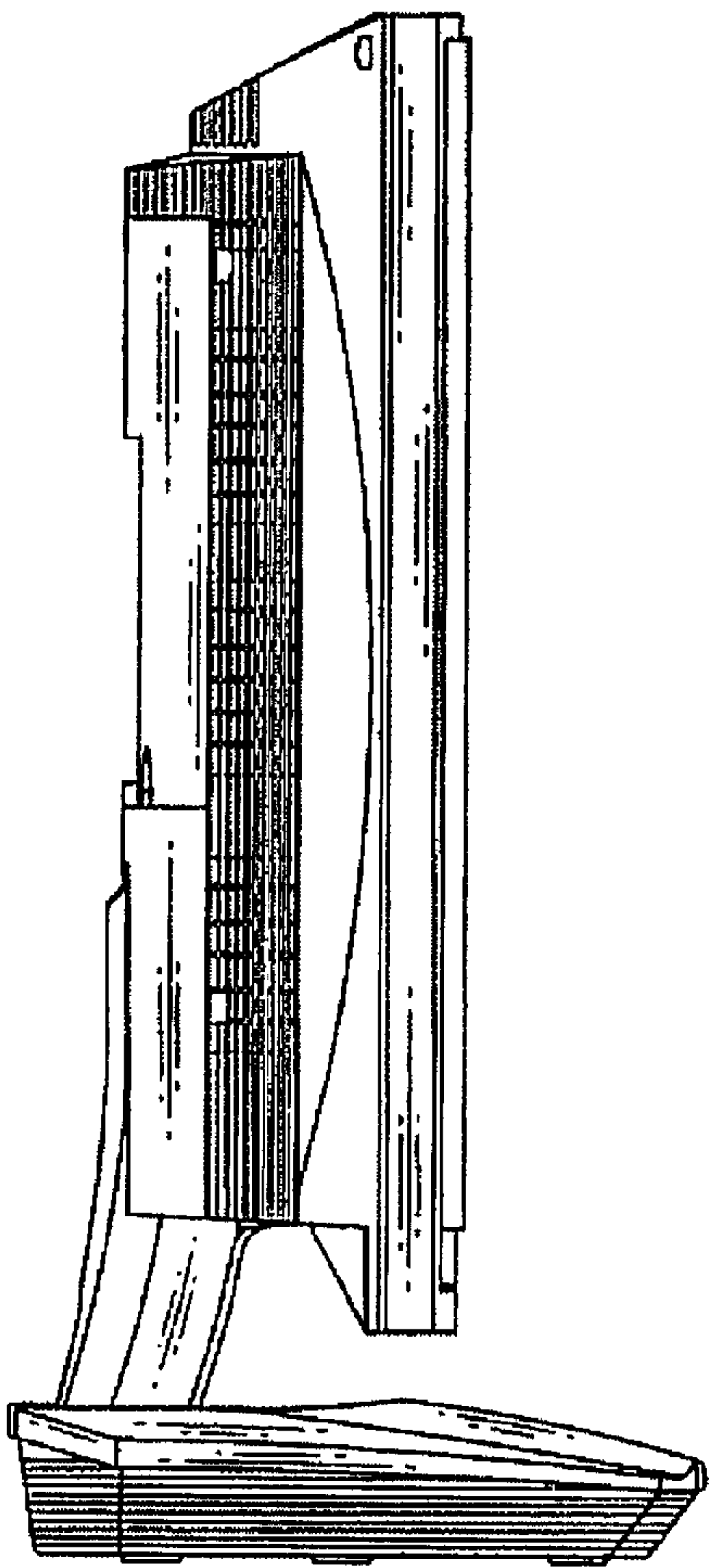


FIG. 4

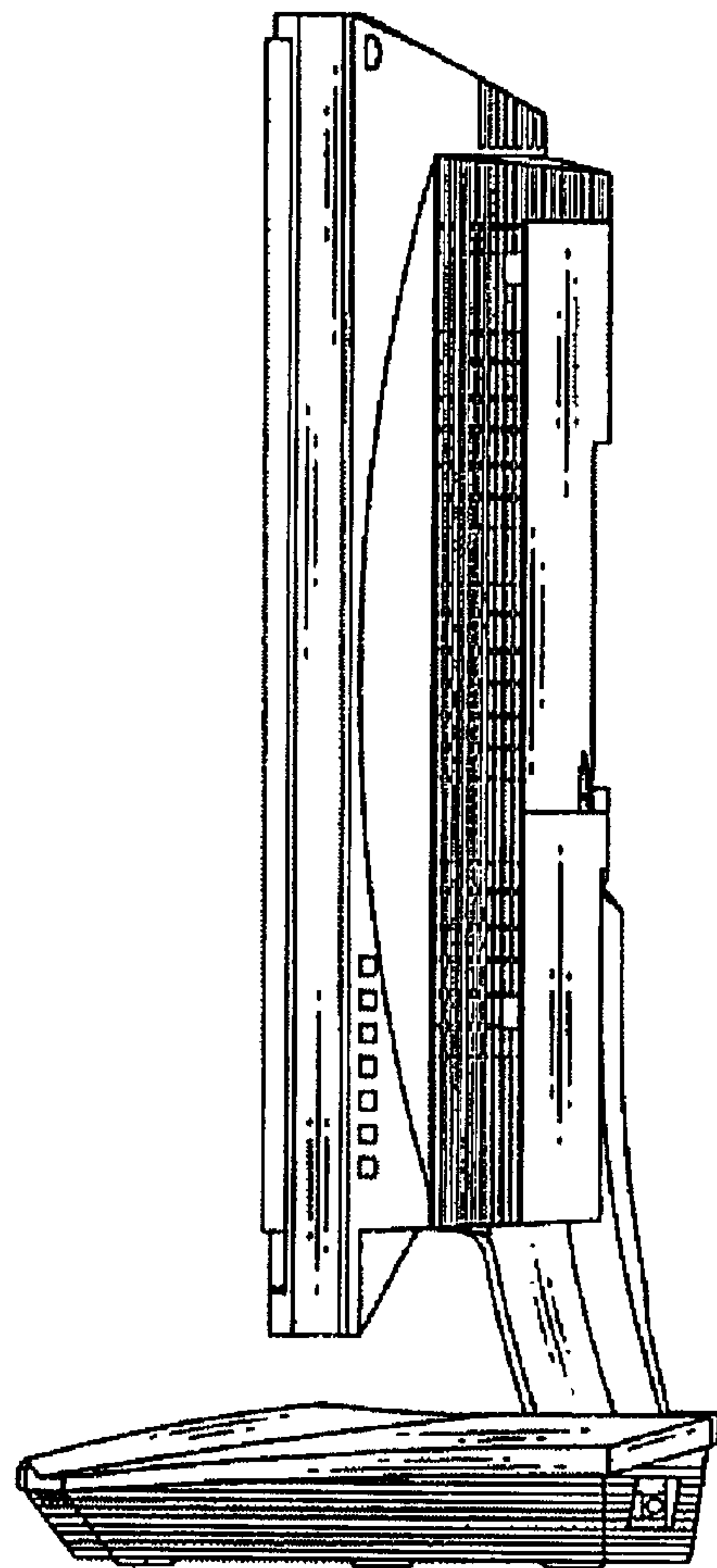


FIG. 5

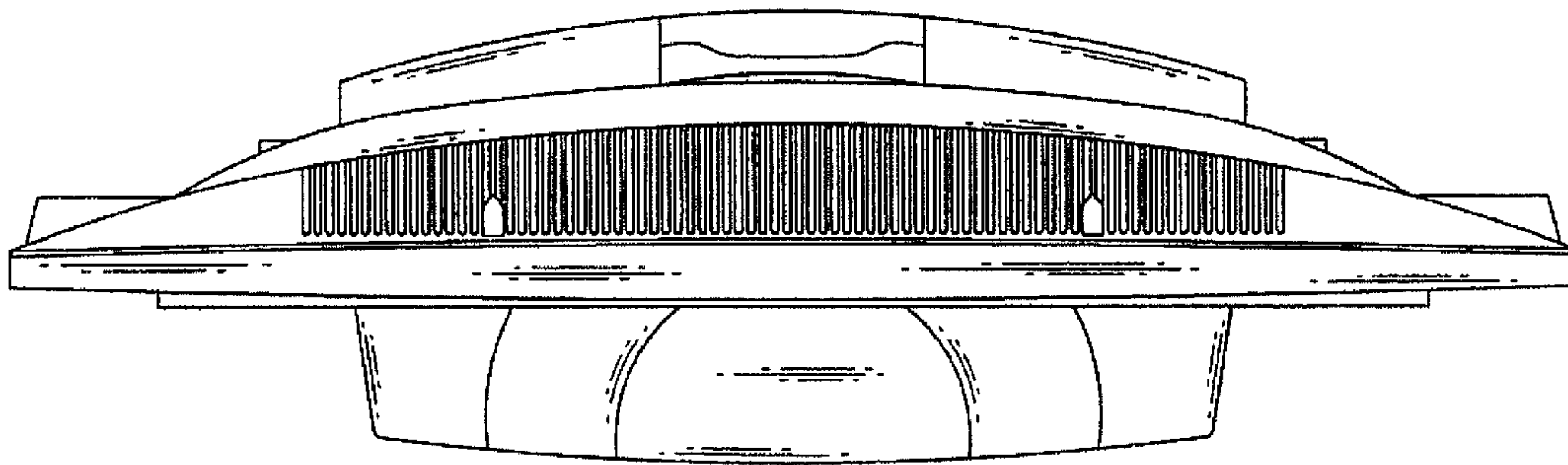


FIG. 6

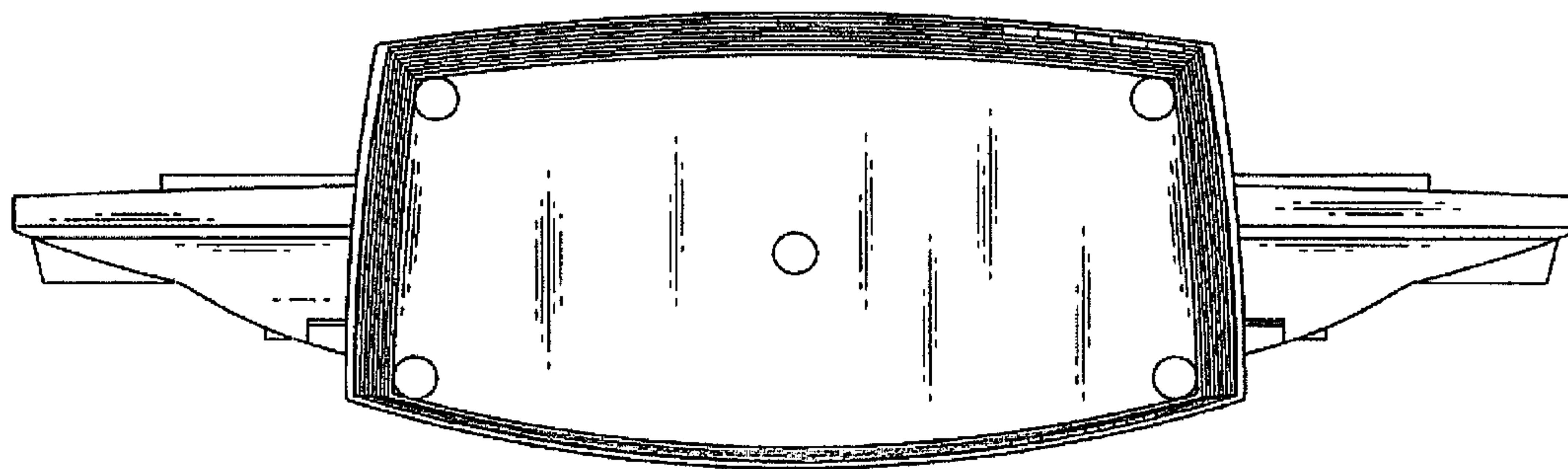


FIG. 7