



US00D539244S

(12) **United States Design Patent**
Niitsu

(10) **Patent No.:** **US D539,244 S**
(45) **Date of Patent:** **** Mar. 27, 2007**

(54) **TELEVISION RECEIVER**

D500,991 S * 1/2005 Niitsu D14/126
D509,198 S * 9/2005 Ahn D14/126

(75) Inventor: **Takuya Niitsu**, Tokyo (JP)

FOREIGN PATENT DOCUMENTS

(73) Assignee: **Sony Corporation**, Tokyo (JP)

JP D1126606 S 11/2001
JP D1177014 S 6/2003
JP D1203796 S 4/2004

(**) Term: **14 Years**

OTHER PUBLICATIONS

(21) Appl. No.: **29/221,105**

Web page "WEGA, KDL-L28HX2" <http://www.ecat.sony.co.jp/wega/products/index.cfm?PD=15223&KM=KDL-L28HX2>, 1 sheet, Sony (Jan. 2005).

(22) Filed: **Jan. 12, 2005**

(51) **LOC (8) Cl.** **14-03**

(52) **U.S. Cl.** **D14/126**

(58) **Field of Classification Search** D14/125-135,
D14/239, 379, 371, 374, 375, 376, 113; D13/151,
D13/153; 312/7.2; 348/836, 838, 180, 184,
348/325, 739; 341/12; 248/917-924; 345/104,
345/133, 156, 168, 87, 173; 349/1, 2, 11,
349/62

See application file for complete search history.

* cited by examiner

Primary Examiner—Raphael Barkai

Assistant Examiner—Randall H. Gholson

(74) *Attorney, Agent, or Firm*—Rader, Fishman & Grauer
PLLC

(56) **References Cited**

U.S. PATENT DOCUMENTS

D382,259 S * 8/1997 Nagai et al. D14/374
D396,222 S * 7/1998 Morgan et al. D14/126
D412,891 S 8/1999 Sumii
D417,659 S * 12/1999 Takemasa D14/126
D424,068 S * 5/2000 Takemasa D14/126
D432,102 S 10/2000 Arie
D458,237 S 6/2002 Niitsu
D474,452 S 5/2003 Kanatani
D474,453 S 5/2003 Kanatani
D486,803 S * 2/2004 Fujiki et al. D14/126
D496,361 S * 9/2004 Hotta D14/374

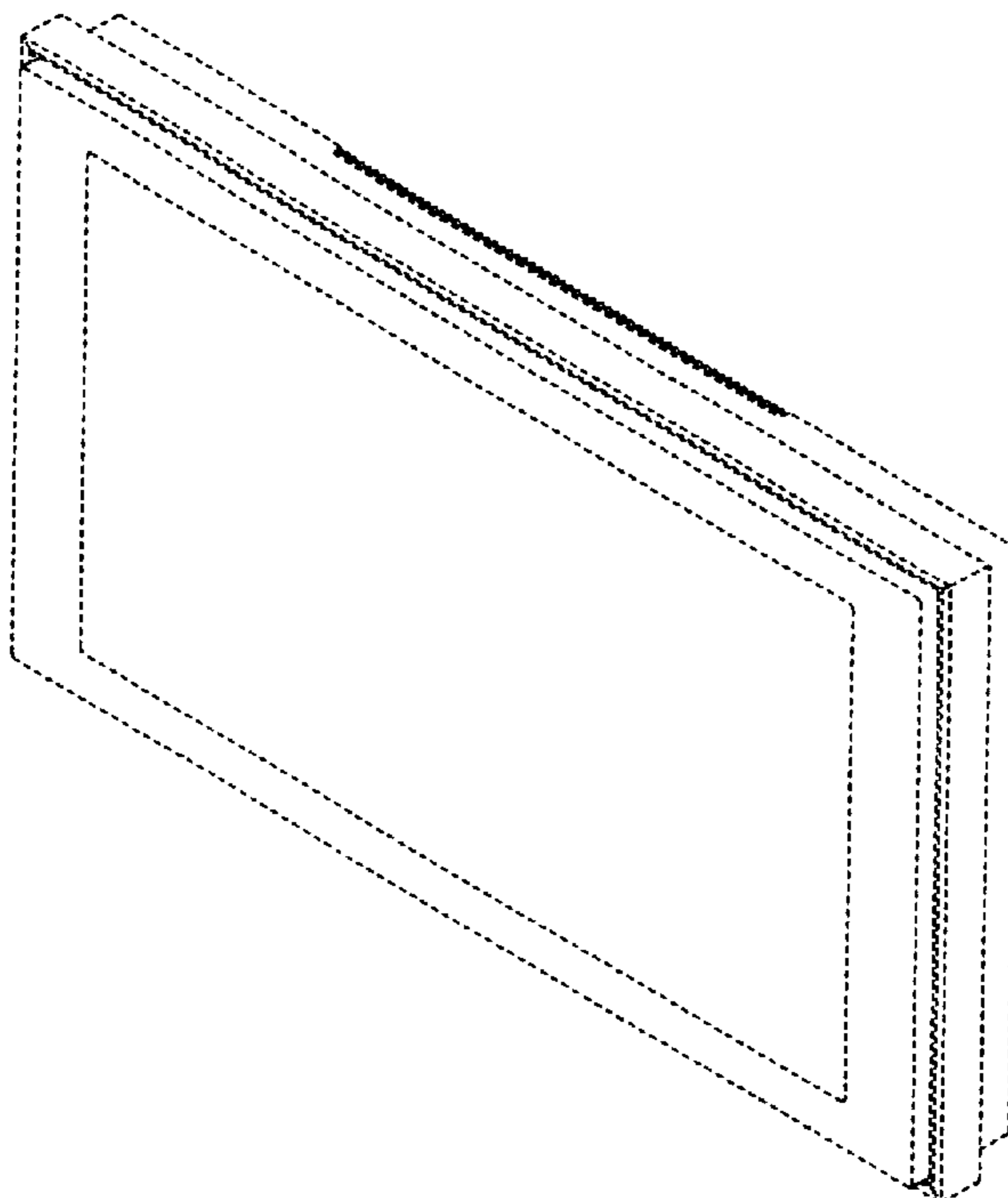
(57) **CLAIM**

The ornamental design for a television receiver, as shown.

DESCRIPTION

FIG. 1 is a perspective view of a television receiver showing my new design;
FIG. 2 is a front elevational view thereof;
FIG. 3 is a rear elevational view thereof;
FIG. 4 is a left side elevational view thereof;
FIG. 5 is a right side elevational view thereof;
FIG. 6 is a top plan view thereof; and,
FIG. 7 is a bottom plan view thereof.

1 Claim, 7 Drawing Sheets



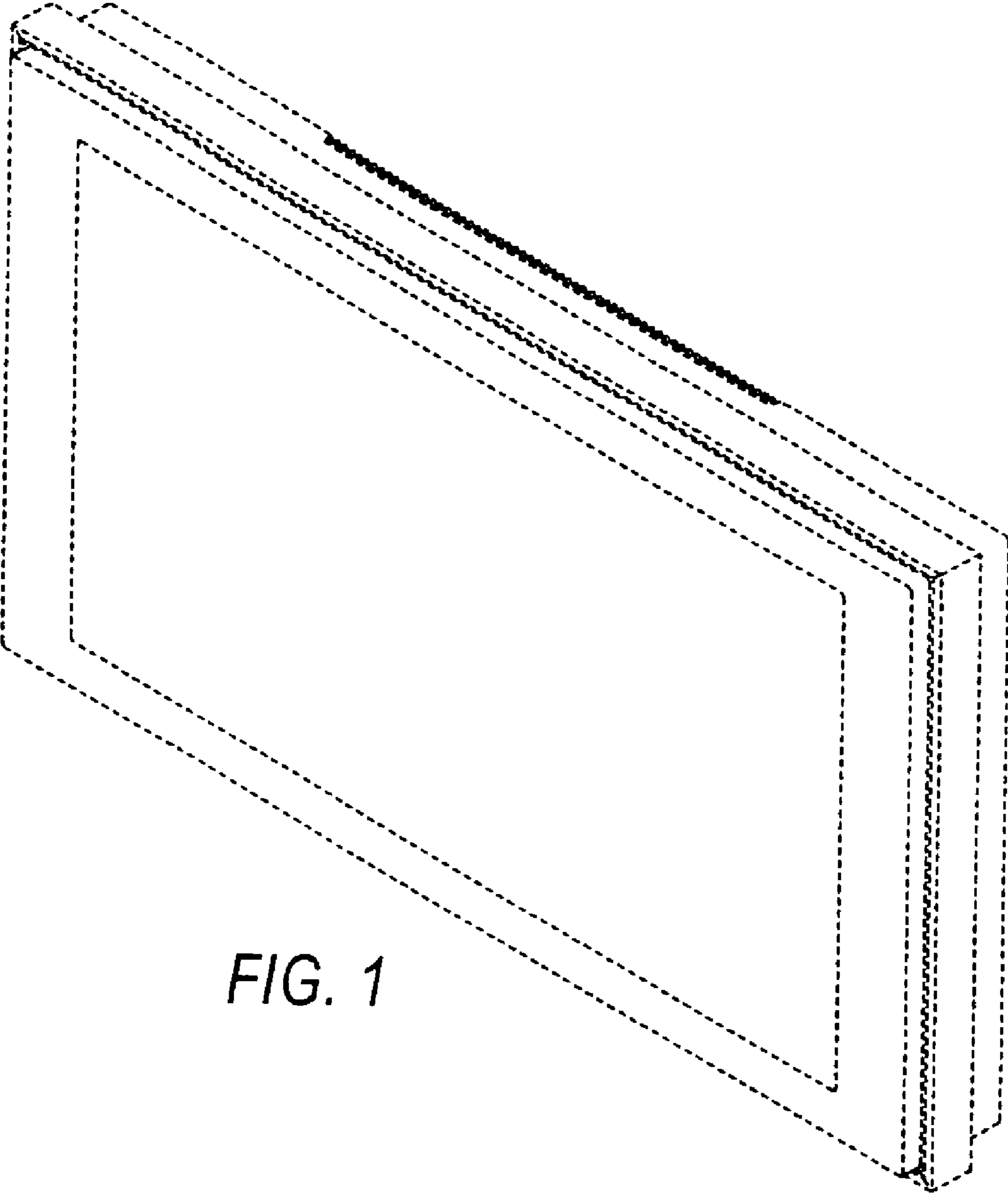


FIG. 1

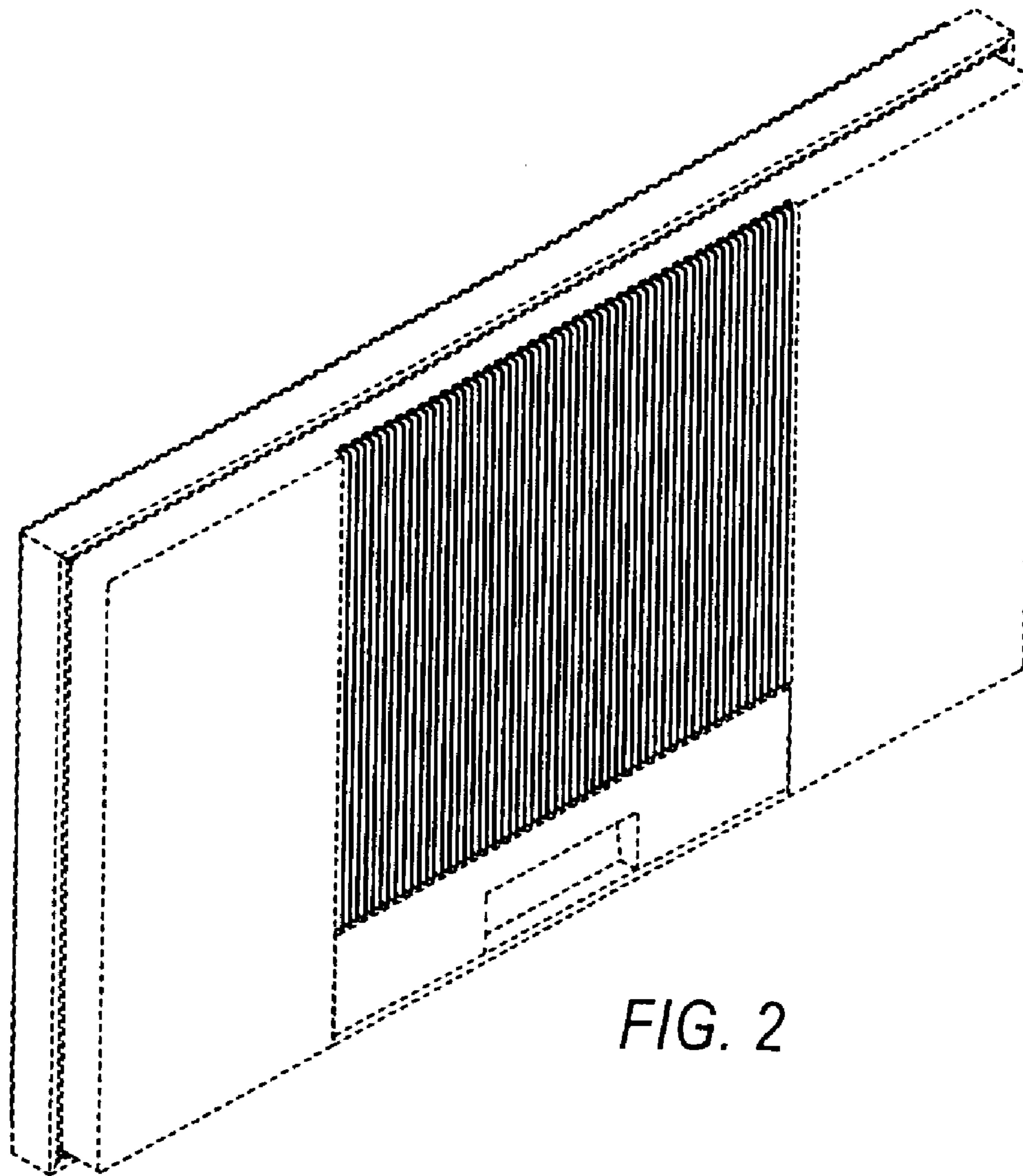


FIG. 2

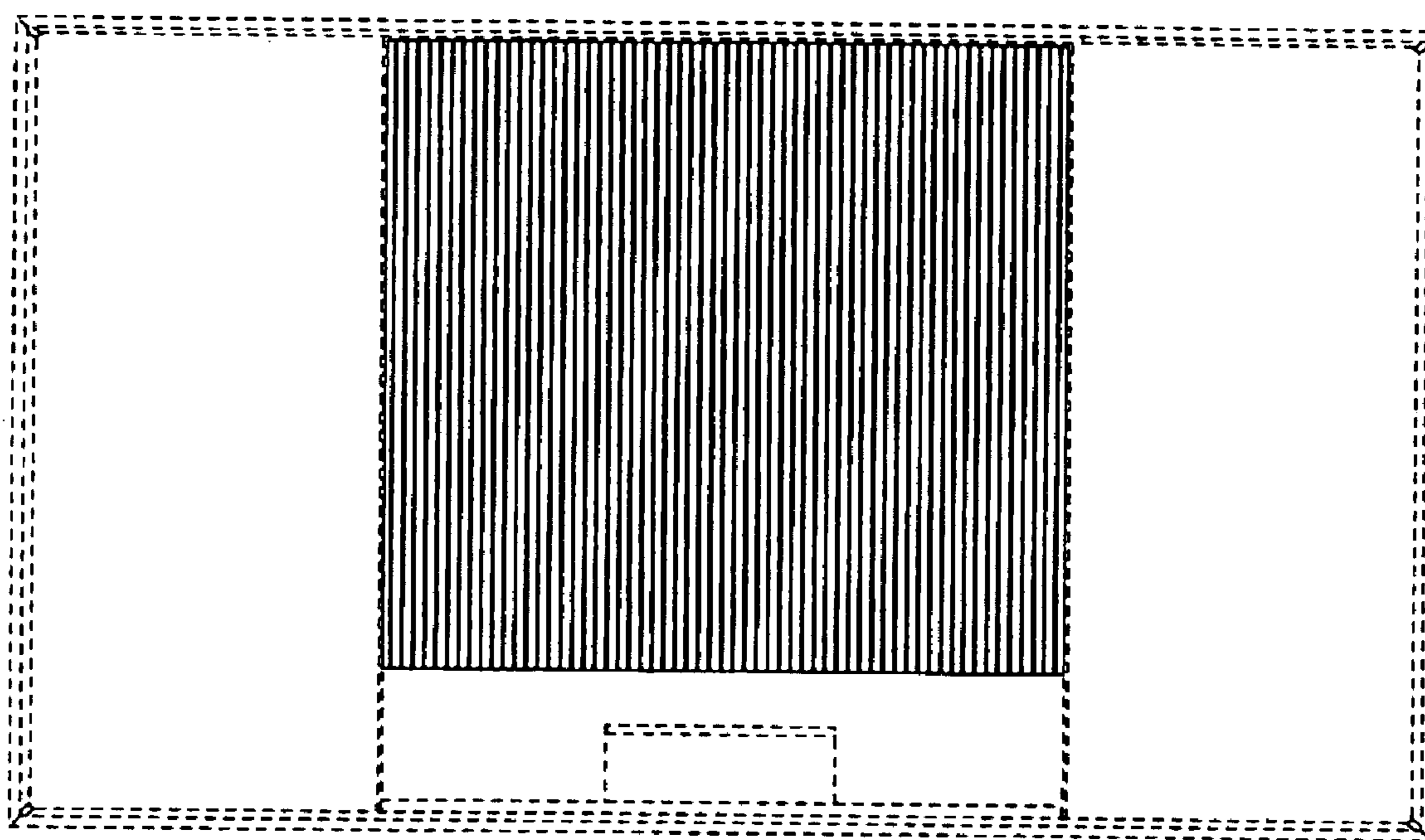


FIG. 3

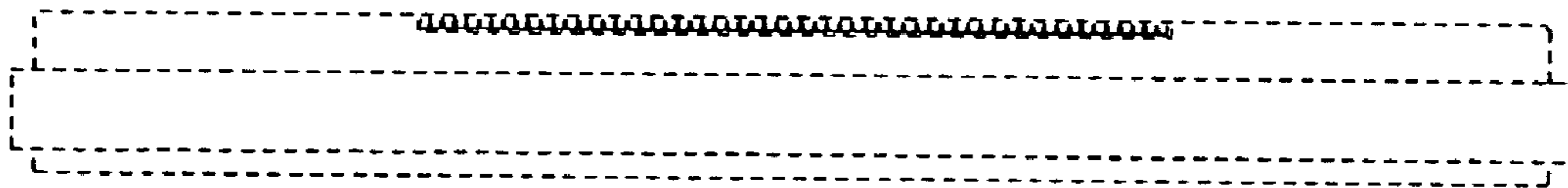


FIG. 4

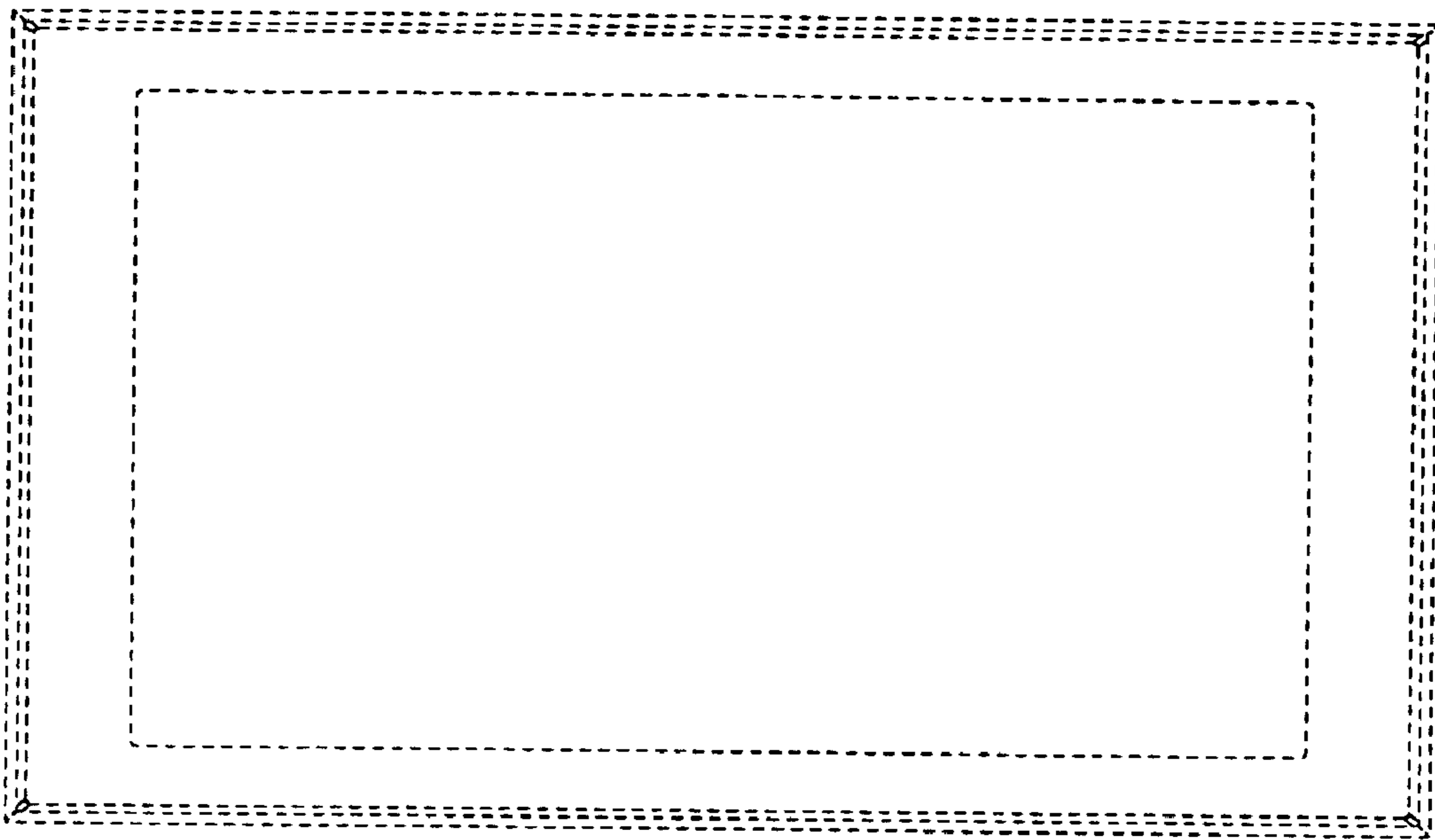


FIG. 5

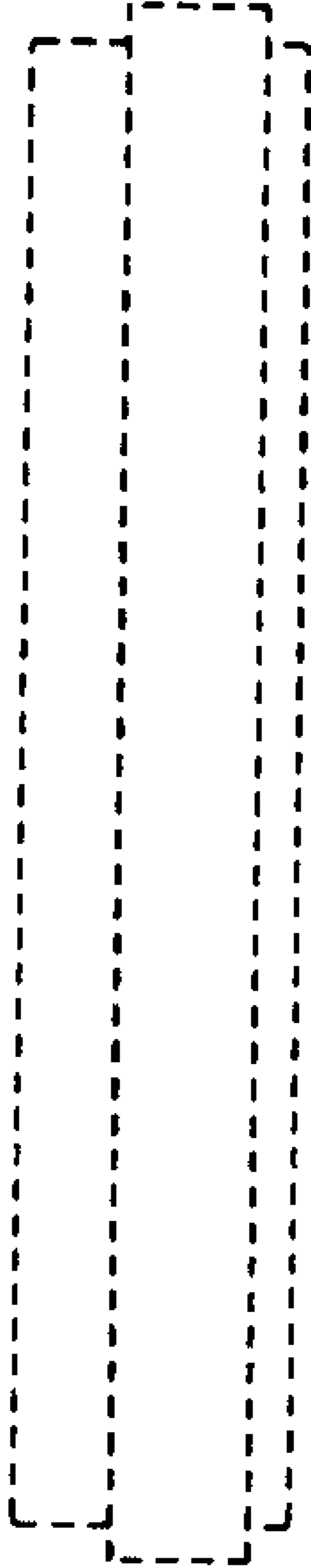


FIG. 6

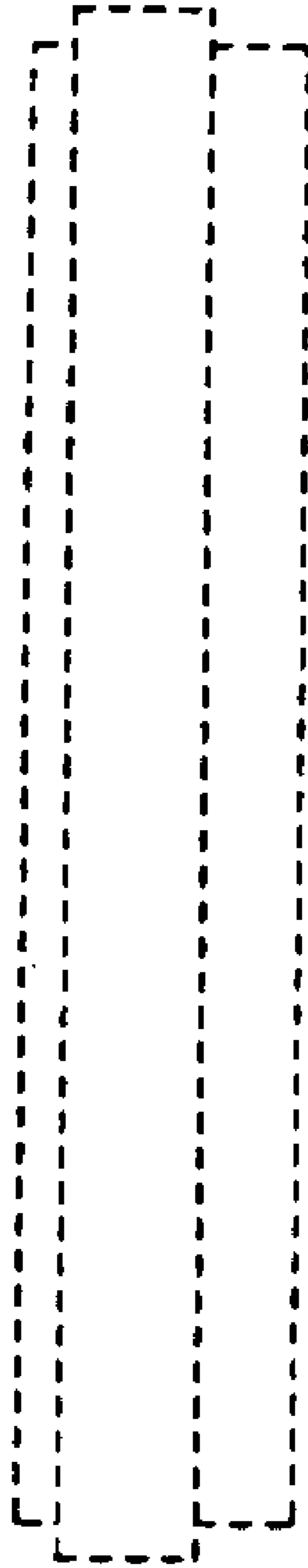


FIG. 7