



US00D539242S

(12) **United States Design Patent**  
**Lee et al.**

(10) **Patent No.:** **US D539,242 S**  
(45) **Date of Patent:** **\*\* Mar. 27, 2007**

(54) **LCD TV**  
(75) Inventors: **Seung-Ho Lee**, Seoul (KR); **Yun-Je Kang**, Seoul (KR)  
(73) Assignee: **Samsung Electronics Co., Ltd.**, Kyunggi-do (KR)  
(\*\*) Term: **14 Years**

D483,020 S \* 12/2003 Nagao et al. .... D14/126  
D494,553 S \* 8/2004 Yang ..... D14/126  
D496,915 S \* 10/2004 Kita ..... D14/126  
D499,386 S \* 12/2004 Yang ..... D14/126

(21) Appl. No.: **29/218,856**  
(22) Filed: **Dec. 8, 2004**  
(51) **LOC (8) Cl.** ..... **14-03**  
(52) **U.S. Cl.** ..... **D14/126**  
(58) **Field of Classification Search** ..... D14/125-135,  
D14/239, 379, 371, 374, 375, 376, 113; D13/151,  
D13/153; 312/7.2; 348/836, 838, 180, 184,  
348/325, 739; 341/12; 248/917-924; 345/104,  
345/133, 156, 168, 87, 173; 349/1, 2, 11,  
349/62  
See application file for complete search history.

**OTHER PUBLICATIONS**

Co-pending U.S. Appl. No. 29/218,855, filed Dec. 8, 2004, titled LCD TV.

\* cited by examiner

*Primary Examiner*—Raphael Barkai  
*Assistant Examiner*—Randall H. Gholson  
(74) *Attorney, Agent, or Firm*—Flynn, Thiel, Boutell & Tanis, P.C.

(57) **CLAIM**

The ornamental design for a LCD TV, as shown and described.

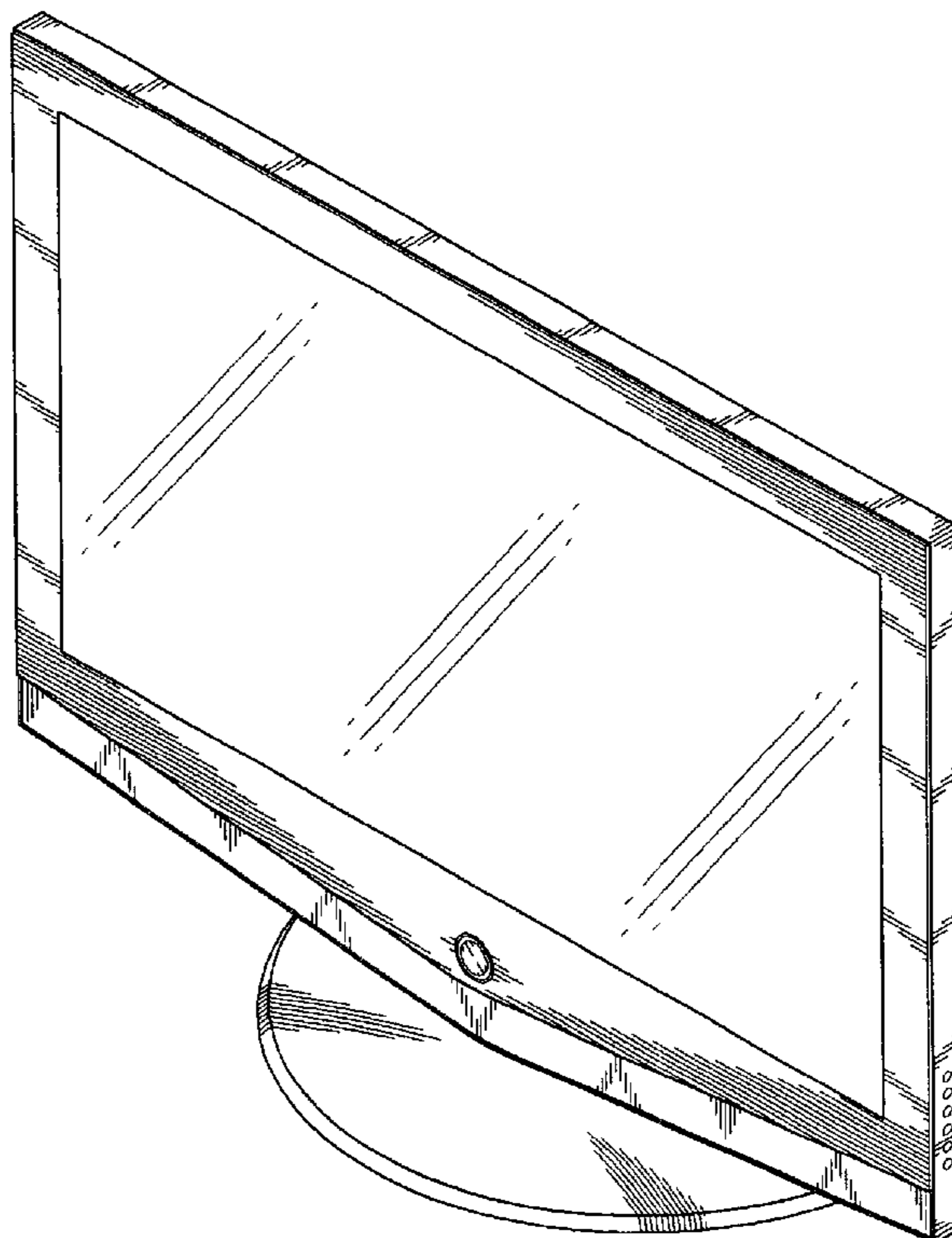
**DESCRIPTION**

FIG. 1. is a top front perspective view of a LCD TV showing our new design.  
FIG. 2. is a front elevational view thereof.  
FIG. 3. is a rear elevational view thereof.  
FIG. 4. is a left side elevational view thereof.  
FIG. 5. is a right side elevational view thereof.  
FIG. 6. is a top plan view thereof; and,  
FIG. 7. is a bottom plan view thereof.

(56) **References Cited**  
**U.S. PATENT DOCUMENTS**

D411,522 S \* 6/1999 Chuo et al. .... D14/126  
D415,478 S \* 10/1999 Chuo et al. .... D14/126  
D422,576 S \* 4/2000 Chuo et al. .... D14/126  
D457,864 S \* 5/2002 Bong et al. .... D14/126  
D472,532 S \* 4/2003 Niitsu ..... D14/126

**1 Claim, 5 Drawing Sheets**



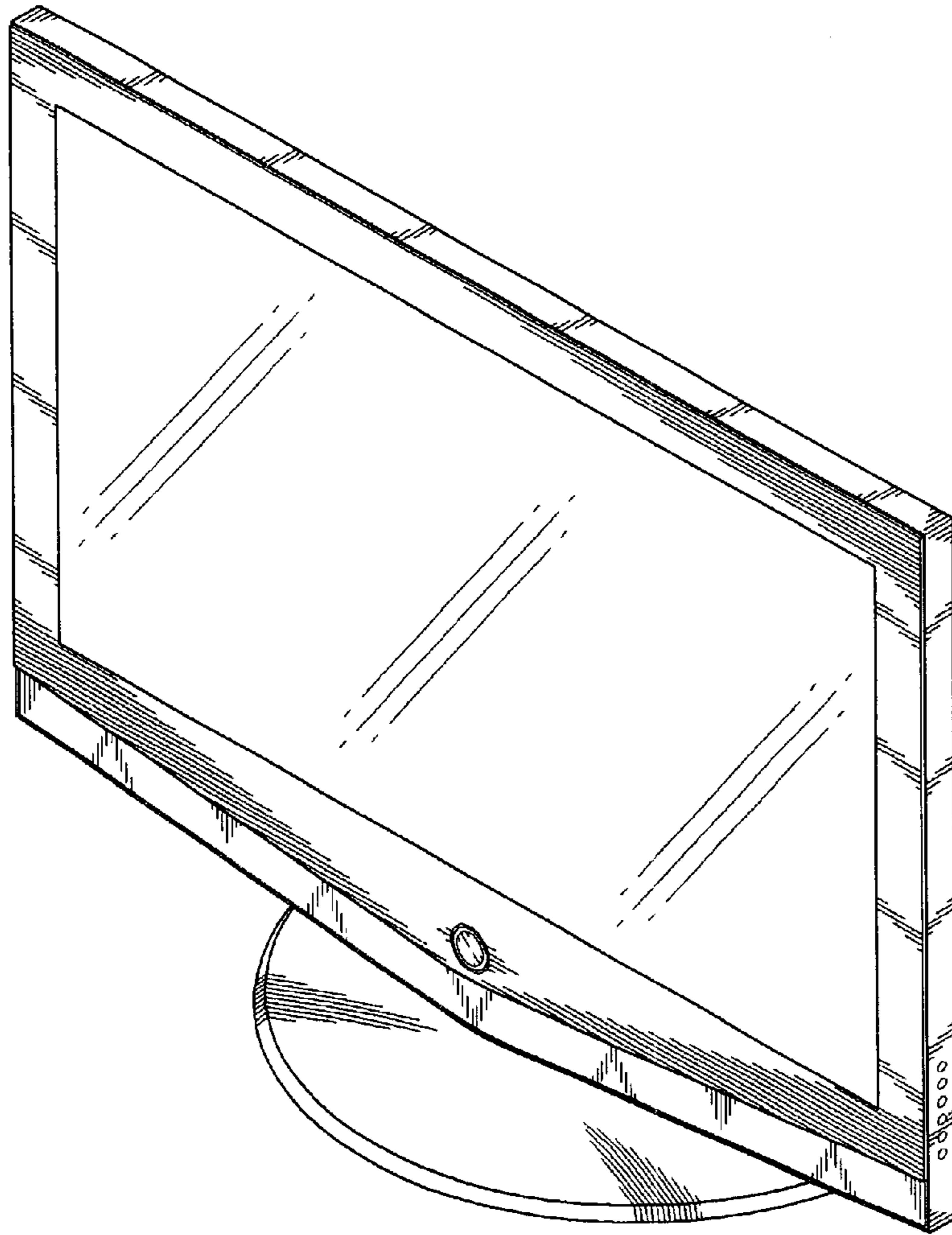


FIG. 1

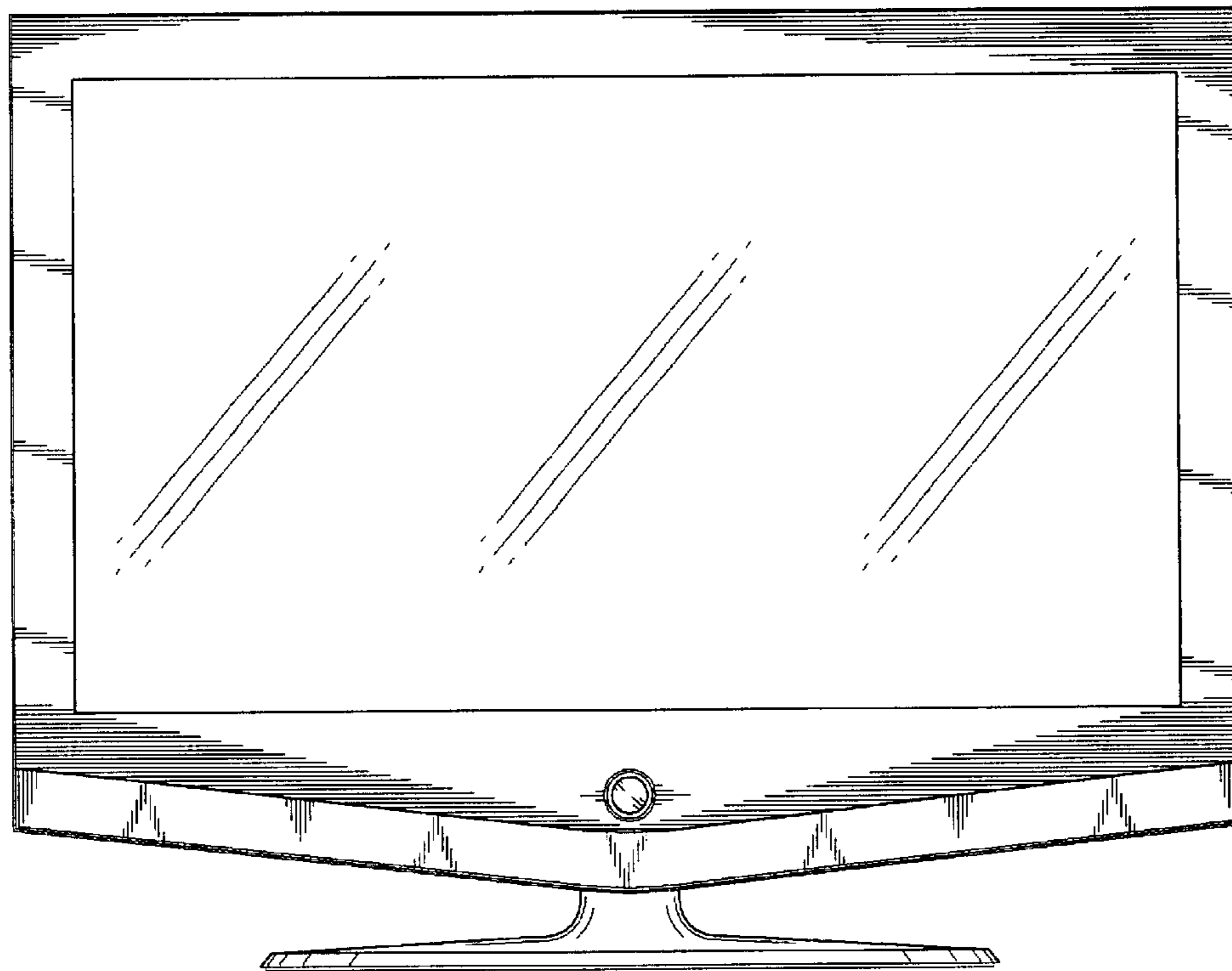


FIG. 2

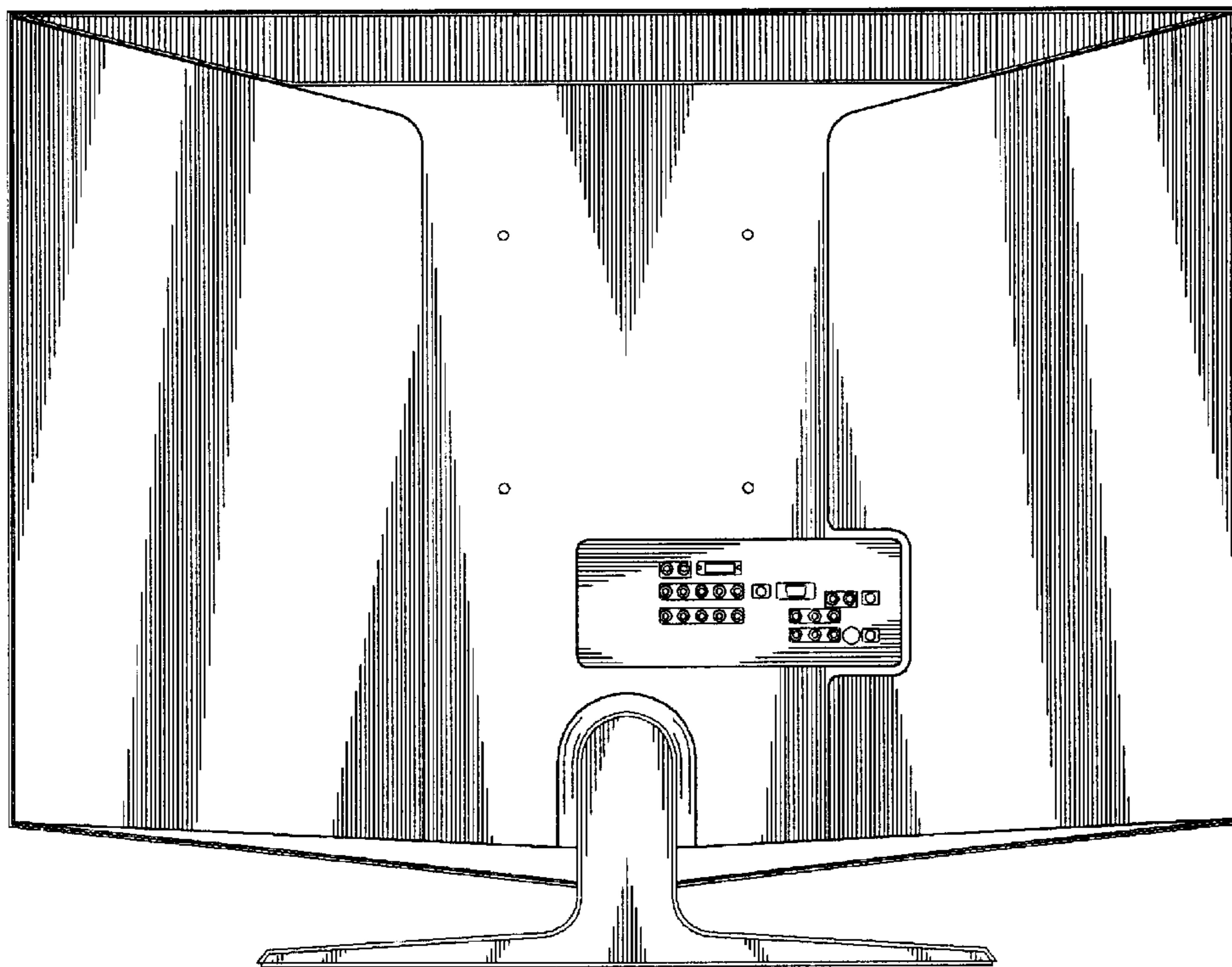


FIG.3

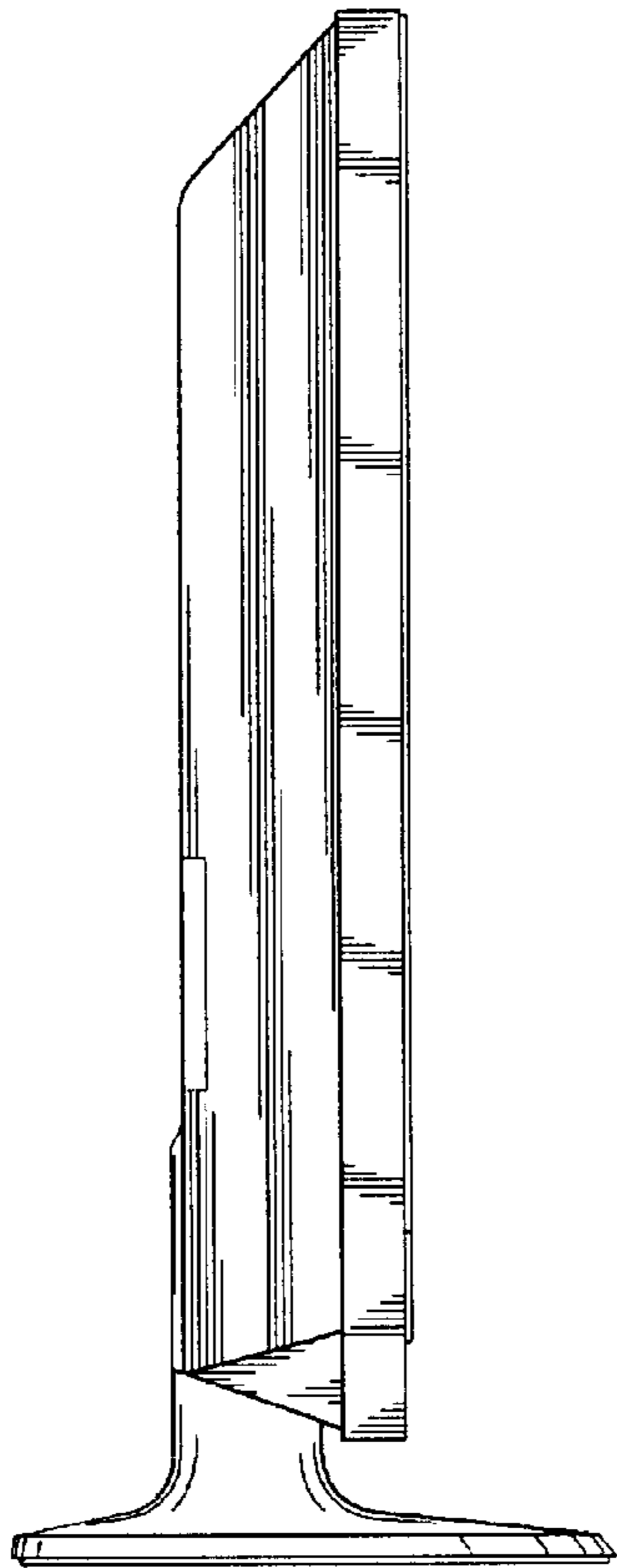


FIG. 4

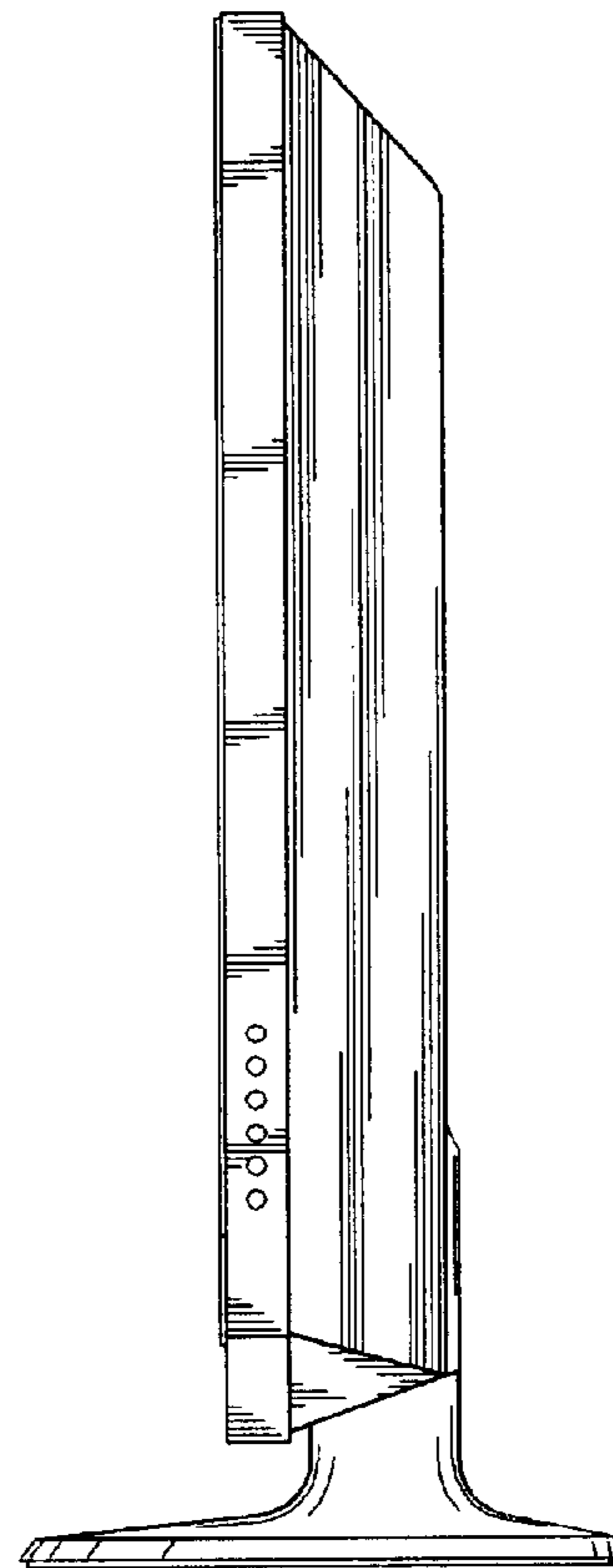


FIG. 5

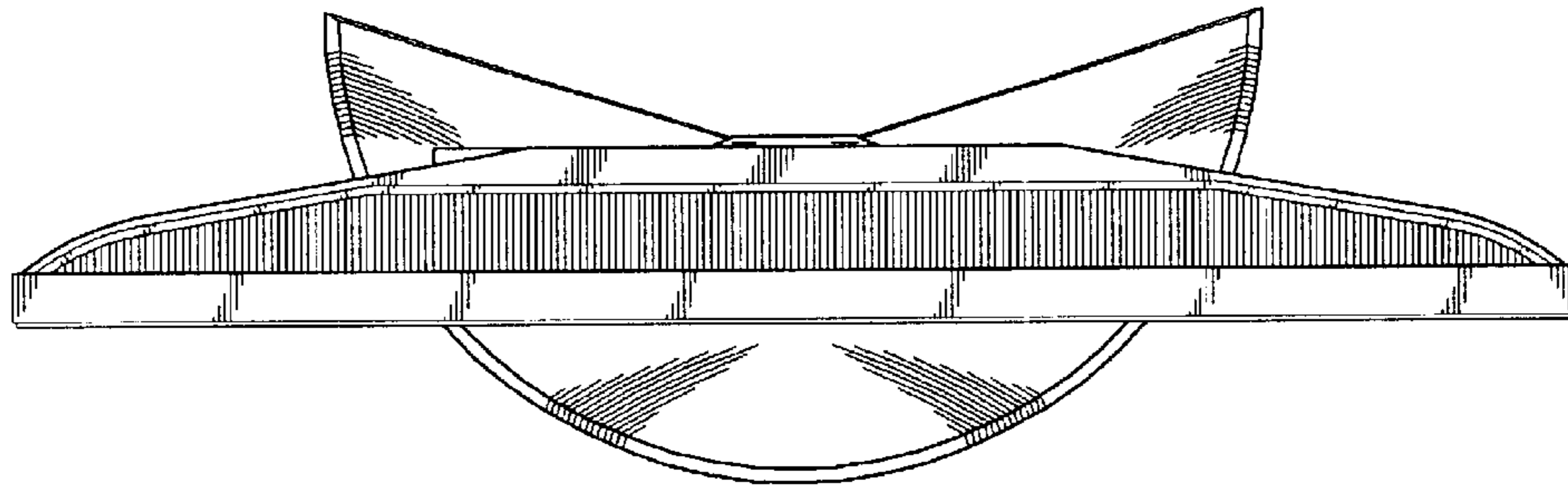


FIG. 6

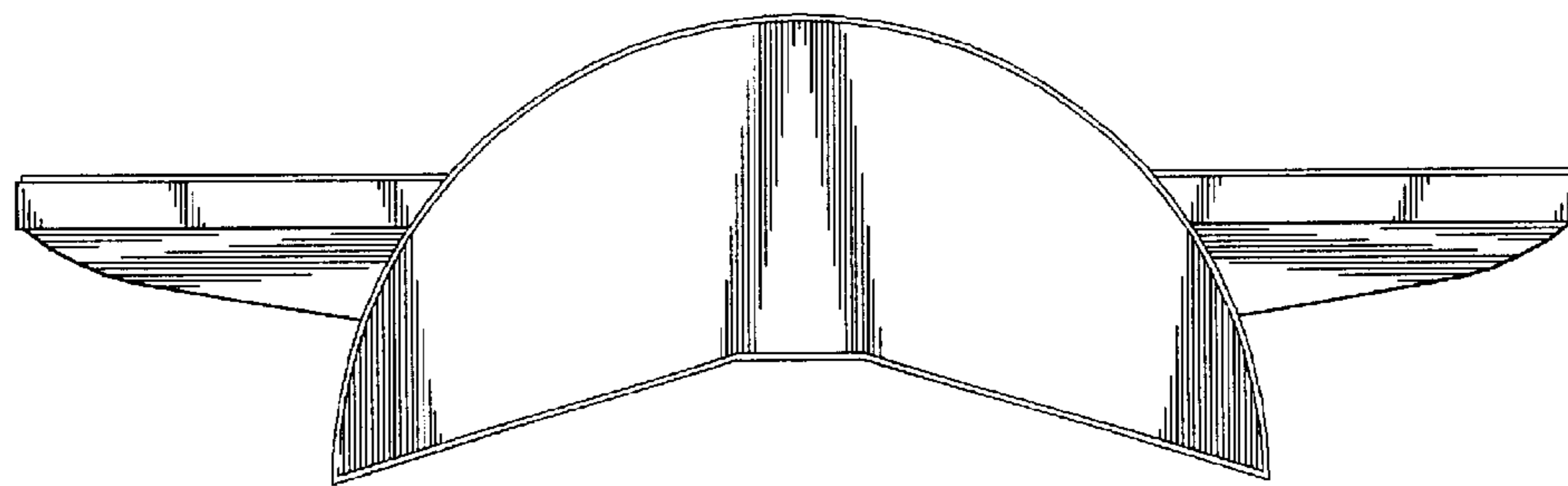


FIG. 7