



US00D539241S

(12) **United States Design Patent**  
**Peng**

(10) **Patent No.:** **US D539,241 S**

(45) **Date of Patent:** **\*\* Mar. 27, 2007**

(54) **CARRIAGEABLE AUDIO-VIDEO DISPLAY DEVICE**

(75) Inventor: **Juen Tien Peng, Chung Li (TW)**

(73) Assignee: **Action Electronics Co., Ltd, Chung Li (TW)**

(\*\*) Term: **14 Years**

(21) Appl. No.: **29/218,387**

(22) Filed: **Dec. 2, 2004**

(51) **LOC (8) Cl.** ..... **14-03**

(52) **U.S. Cl.** ..... **D14/126**

(58) **Field of Classification Search** ..... D14/125-135,  
D14/239, 379, 371, 374, 375, 376, 113; D13/151,  
D13/153; 312/7.2; 348/836, 838, 180, 184,  
348/325, 739; 341/12; 248/917-924; 345/104,  
345/133, 156, 168, 87, 173; 349/1, 2, 11,  
349/62

See application file for complete search history.

(56) **References Cited**

**U.S. PATENT DOCUMENTS**

D468,276 S \* 1/2003 Chang ..... D14/126  
D501,185 S \* 1/2005 Sato et al. .... D14/126

D501,832 S \* 2/2005 Peng ..... D14/126  
D502,152 S \* 2/2005 Peng ..... D14/126  
D502,154 S \* 2/2005 Peng ..... D14/126  
D502,452 S \* 3/2005 Peng ..... D14/126  
D503,160 S \* 3/2005 Peng ..... D14/129  
D506,676 S \* 6/2005 Bretz et al. .... D9/558  
D506,733 S \* 6/2005 Boyer, Jr. .... D14/126  
D517,029 S \* 3/2006 Kawasaki ..... D14/129

\* cited by examiner

*Primary Examiner*—Philip Hyder

*Assistant Examiner*—Randall H. Gholson

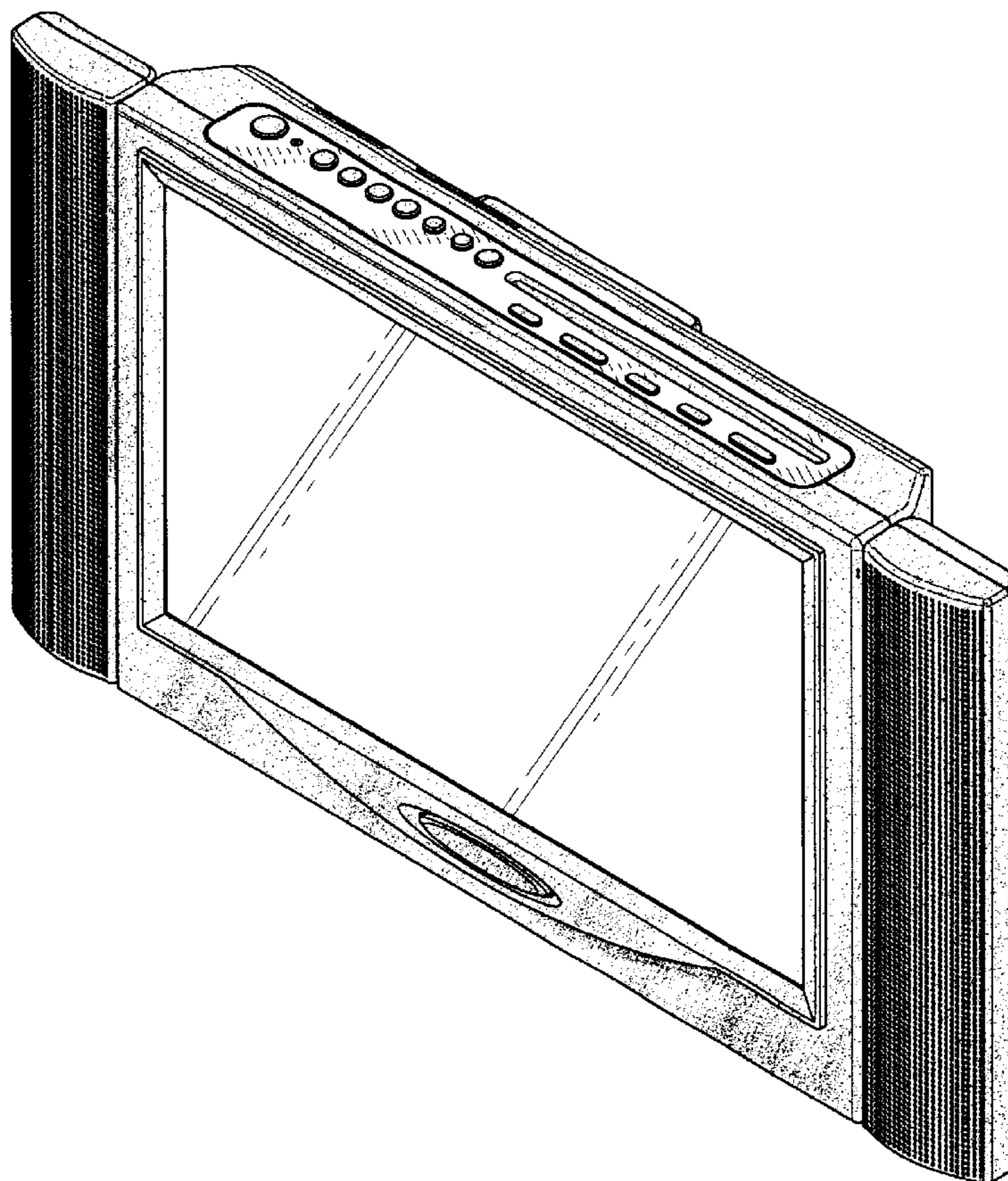
(57) **CLAIM**

The ornamental design for a carriageable audio-video display device, as shown and described.

**DESCRIPTION**

FIG. 1 is a perspective view of LCD player with display showing my design;  
FIG. 2 is a front elevational view thereof;  
FIG. 3 is a rear elevational view thereof;  
FIG. 4 is a left elevational view thereof;  
FIG. 5 is a right elevational view thereof;  
FIG. 6 is a top elevational view thereof; and,  
FIG. 7 is a bottom elevational view thereof.

**1 Claim, 4 Drawing Sheets**



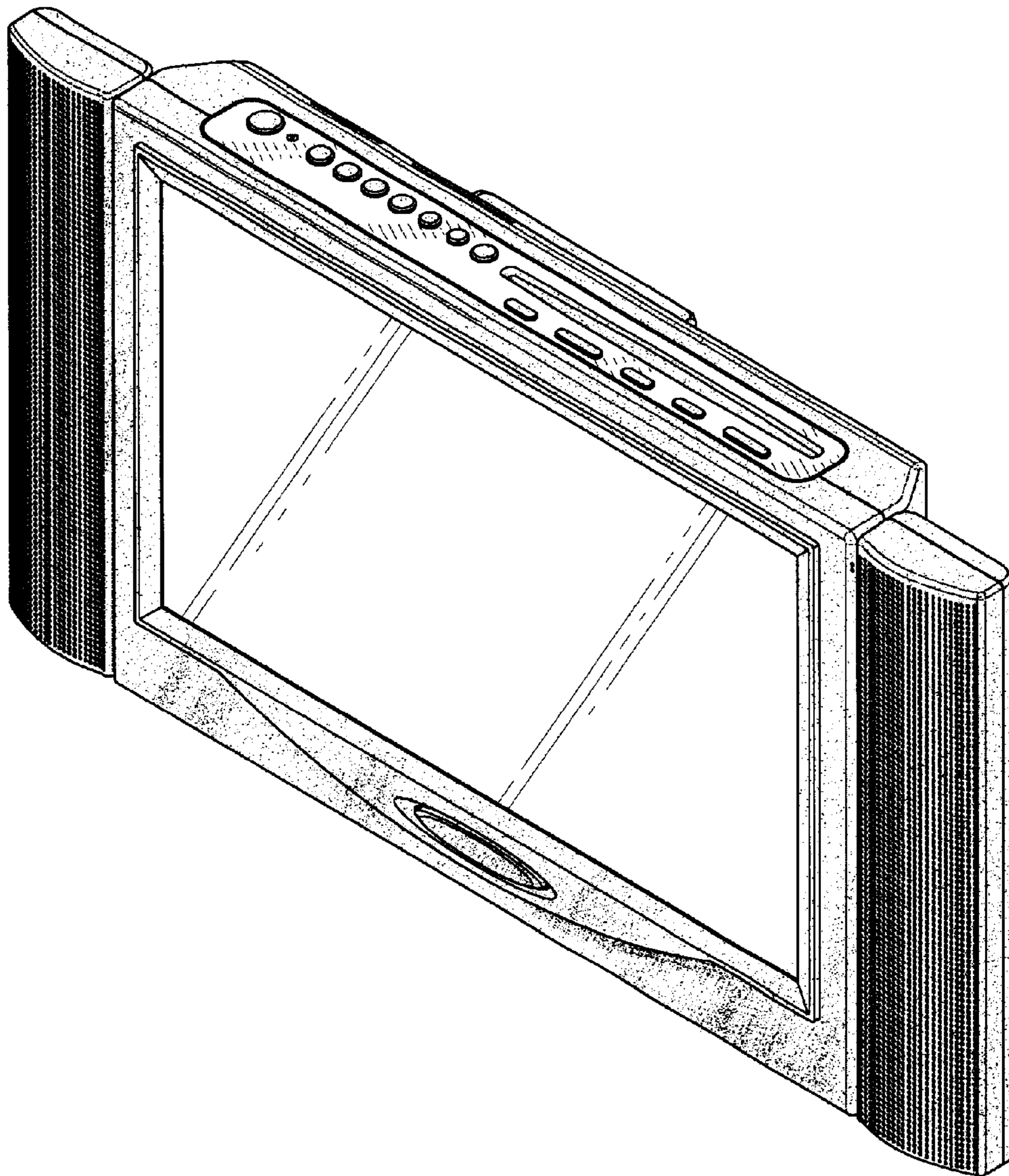


Fig. 1

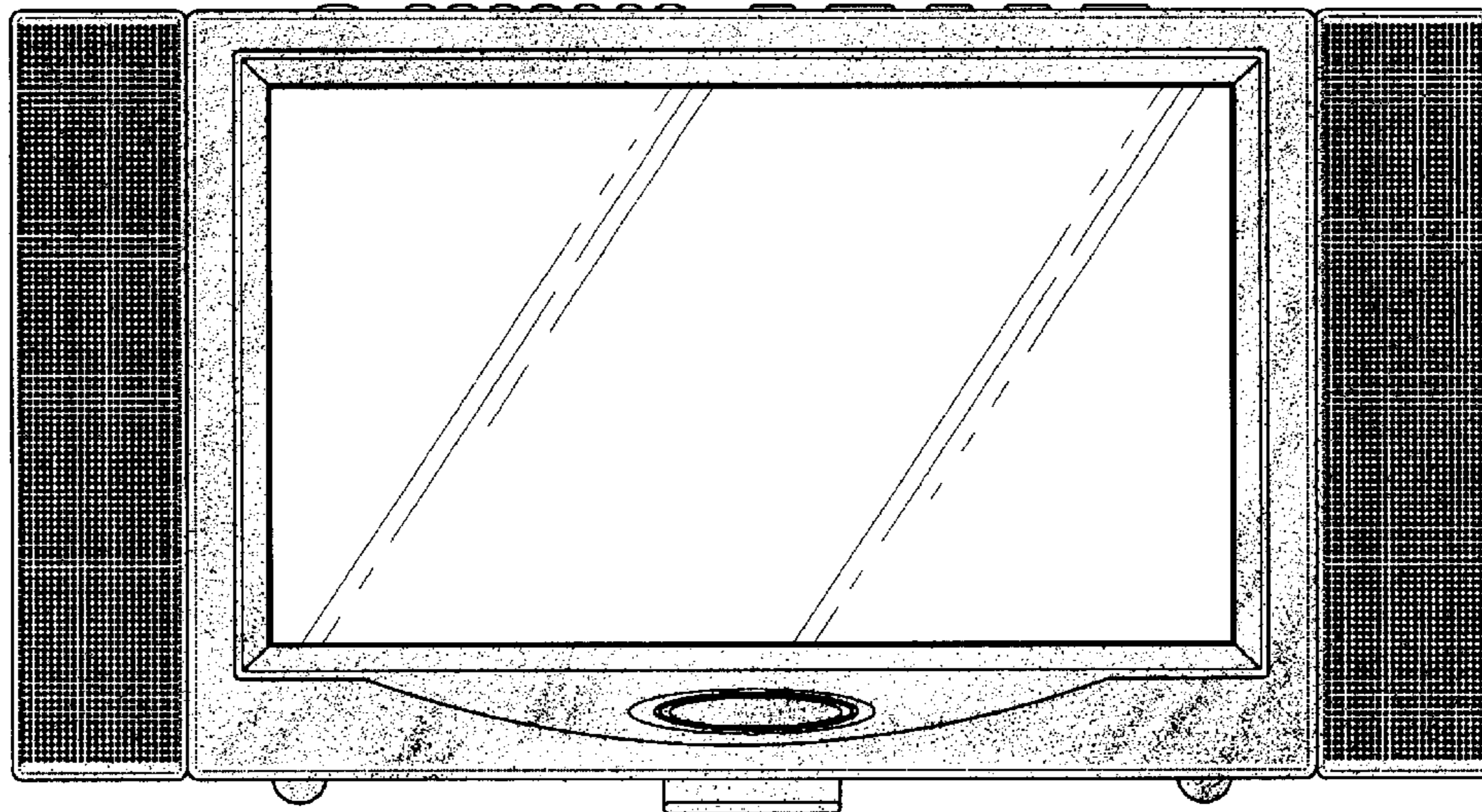


Fig. 2

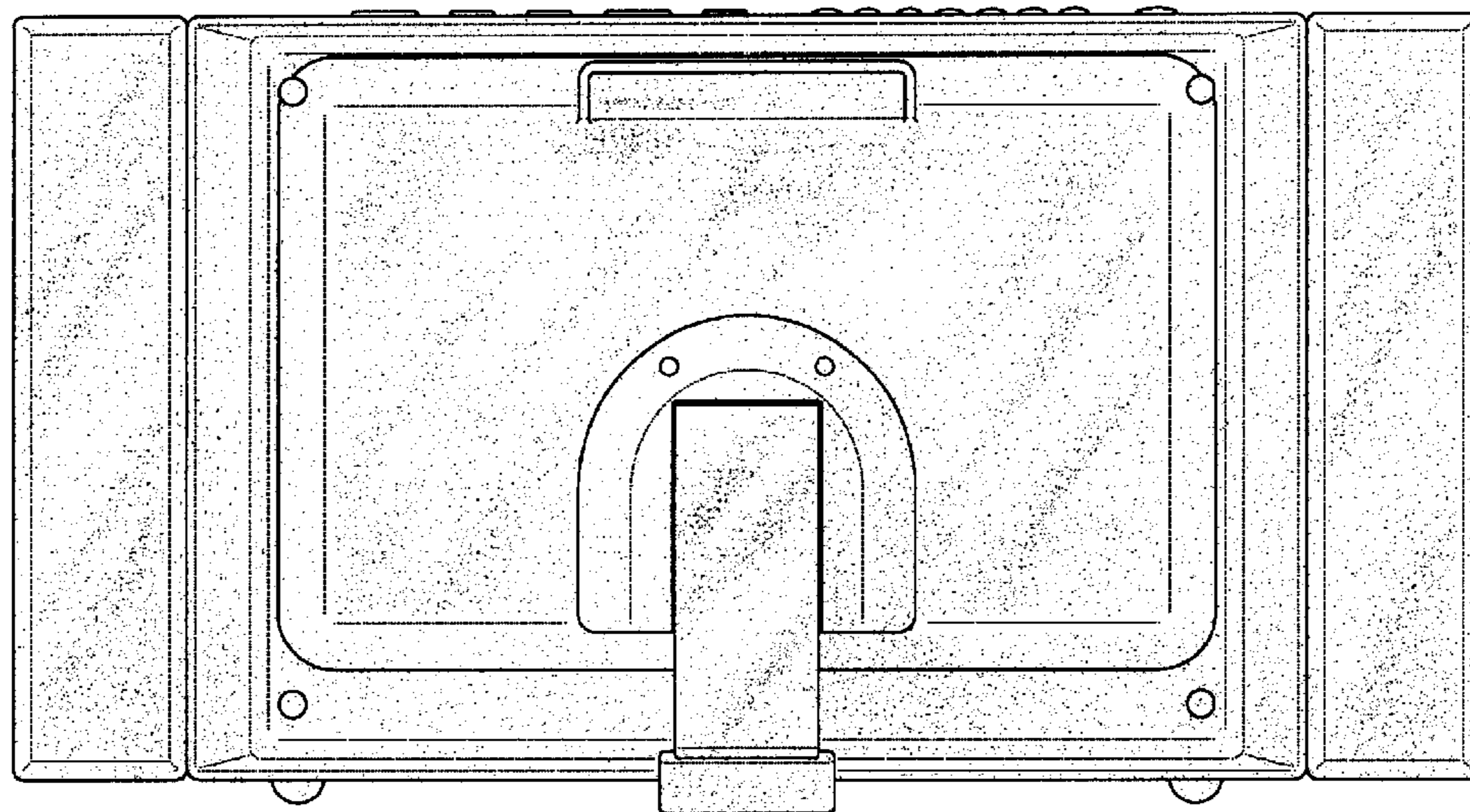


Fig. 3

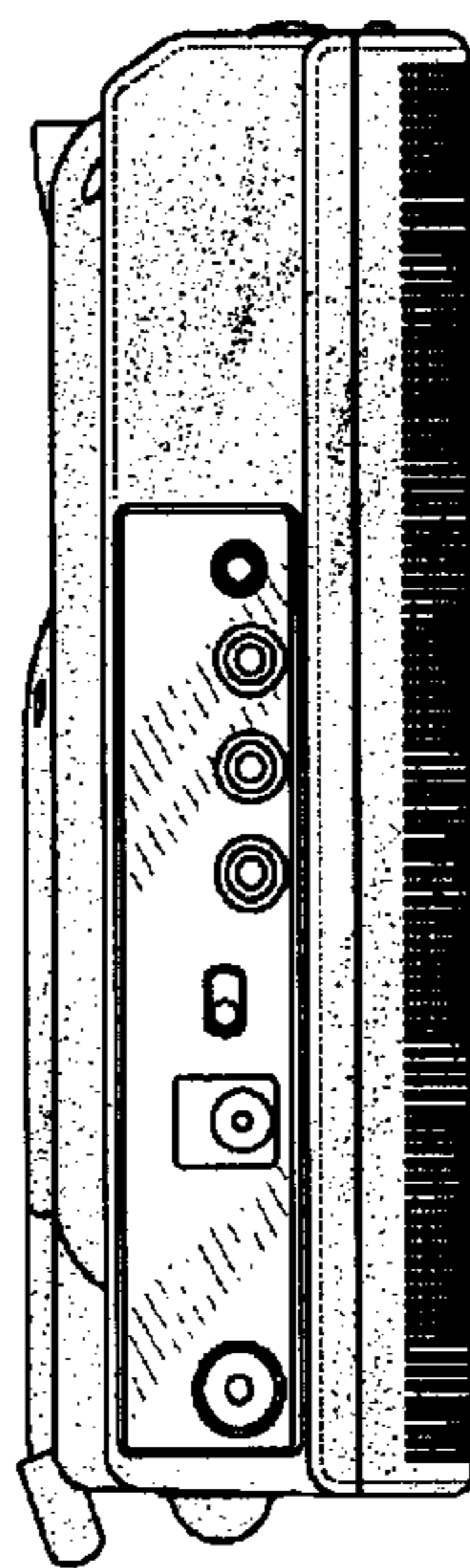


Fig. 4

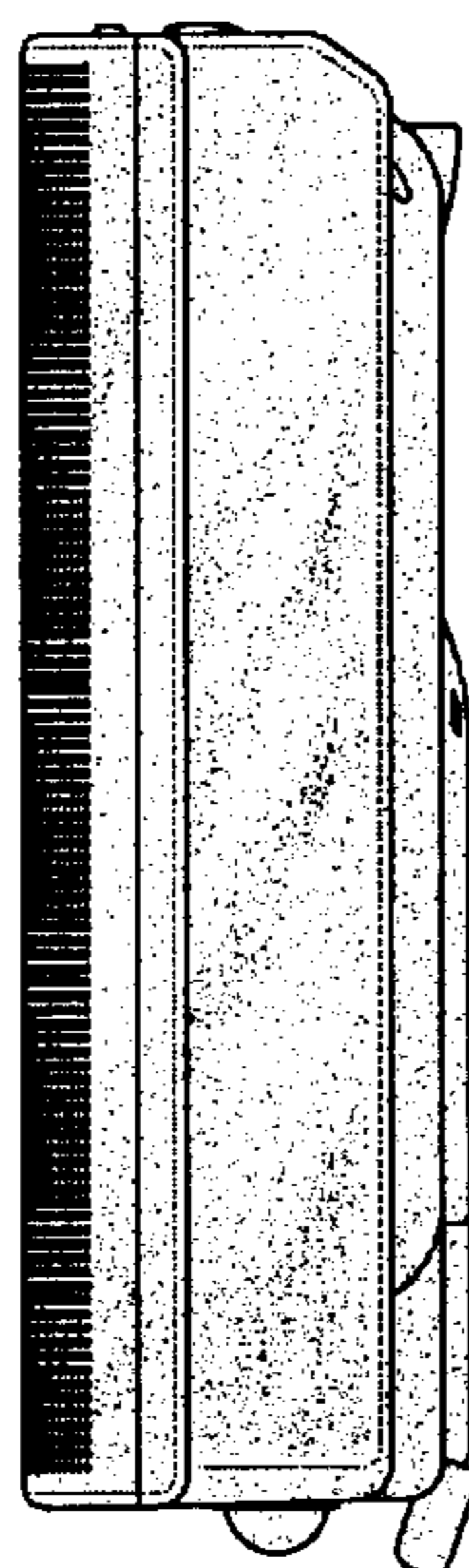


Fig. 5

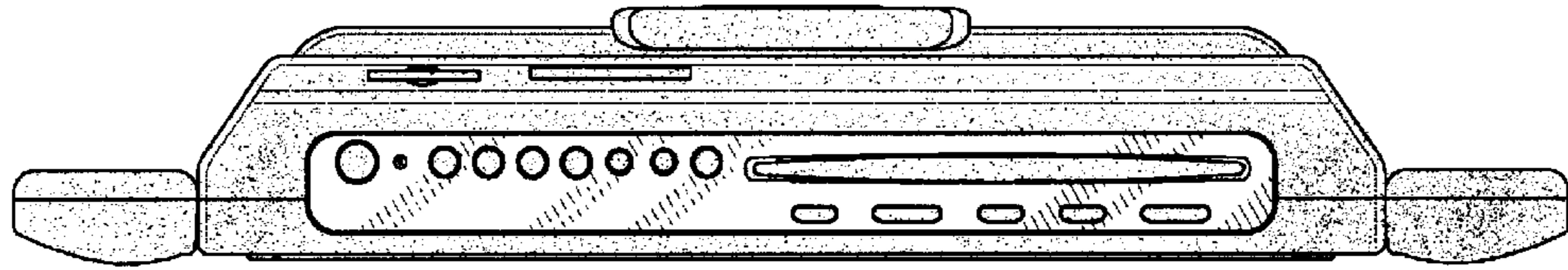


Fig. 6

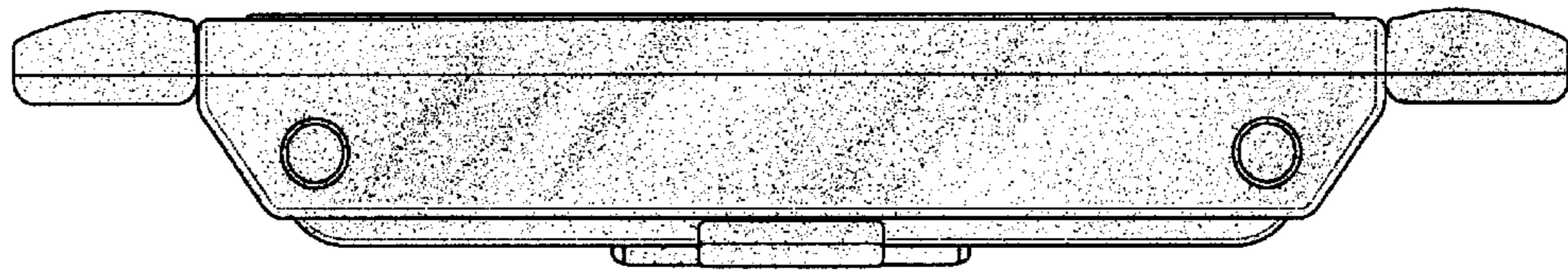


Fig. 7