



US00D539238S

(12) **United States Design Patent** (10) **Patent No.:** **US D539,238 S**
Mayo et al. (45) **Date of Patent:** **** Mar. 27, 2007**

(54) **INFRARED HAND-HELD REMOTE CONTROL**

(75) Inventors: **Noel Mayo**, Philadelphia, PA (US); **Joel S. Spira**, Coopersburg, PA (US); **Jason Killo**, Emmaus, PA (US)

(73) Assignee: **Lutron Electronics Co., Inc.**, Coopersburg, PA (US)

(**) Term: **14 Years**

(21) Appl. No.: **29/197,957**

(22) Filed: **Jan. 21, 2004**

Related U.S. Application Data

(60) Division of application No. 29/157,642, filed on Mar. 21, 2002, now Pat. No. Des. 490,780, which is a continuation-in-part of application No. 29/141,438, filed on May 7, 2001, now Pat. No. Des. 462,332.

(51) **LOC (8) Cl.** **13-03**

(52) **U.S. Cl.** **D13/168**

(58) **Field of Classification Search** D13/162, D13/164, 168, 177; D8/353; D10/104, 106; D14/218, 155; 340/525, 825.22, 825.56, 340/825.69, 825.72, 988; 341/176; 348/734; 455/90.1, 151.1-151.4, 352-355

See application file for complete search history.

(56) **References Cited**

U.S. PATENT DOCUMENTS

D462,332 S * 9/2002 Mayo et al. D13/168
6,587,067 B2 * 7/2003 Darbee et al. 341/176
D485,534 S * 1/2004 Mayo et al. D13/168
D490,780 S * 6/2004 Mayo et al. D13/168

* cited by examiner

Primary Examiner—Selina Sikder

(74) *Attorney, Agent, or Firm*—Ostrolenk, Faber, Gerb & Soffen, LLP

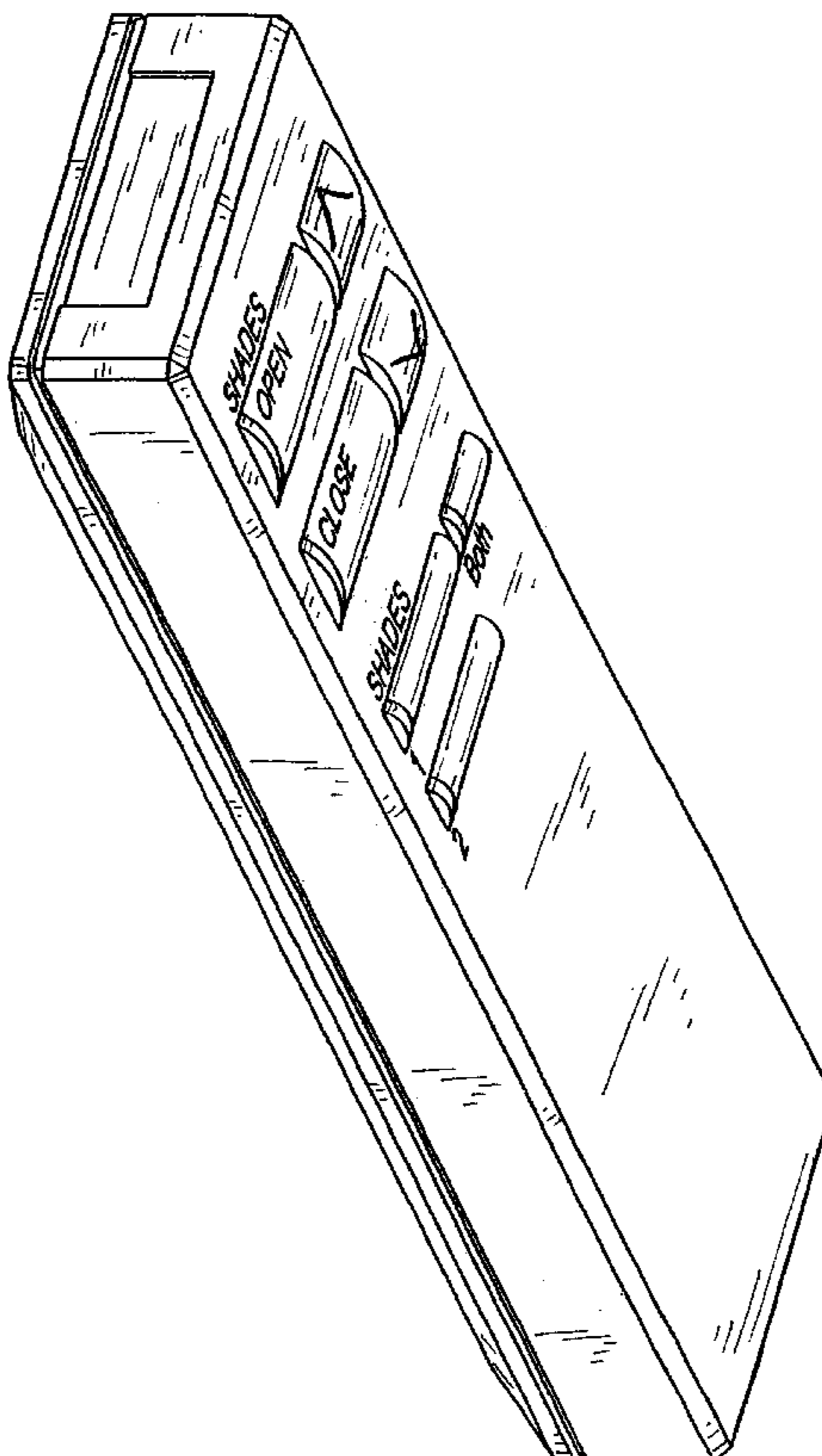
(57) **CLAIM**

The ornamental design for infrared hand-held remote control, as shown and described.

DESCRIPTION

FIG. 1 is a perspective view of a first embodiment;
FIG. 2 is a front view thereof;
FIG. 3 is a left-side view thereof;
FIG. 4 is a right-side view thereof;
FIG. 5 is a rear view thereof;
FIG. 6 is a top view thereof; and,
FIG. 7 is a bottom view thereof.

1 Claim, 4 Drawing Sheets



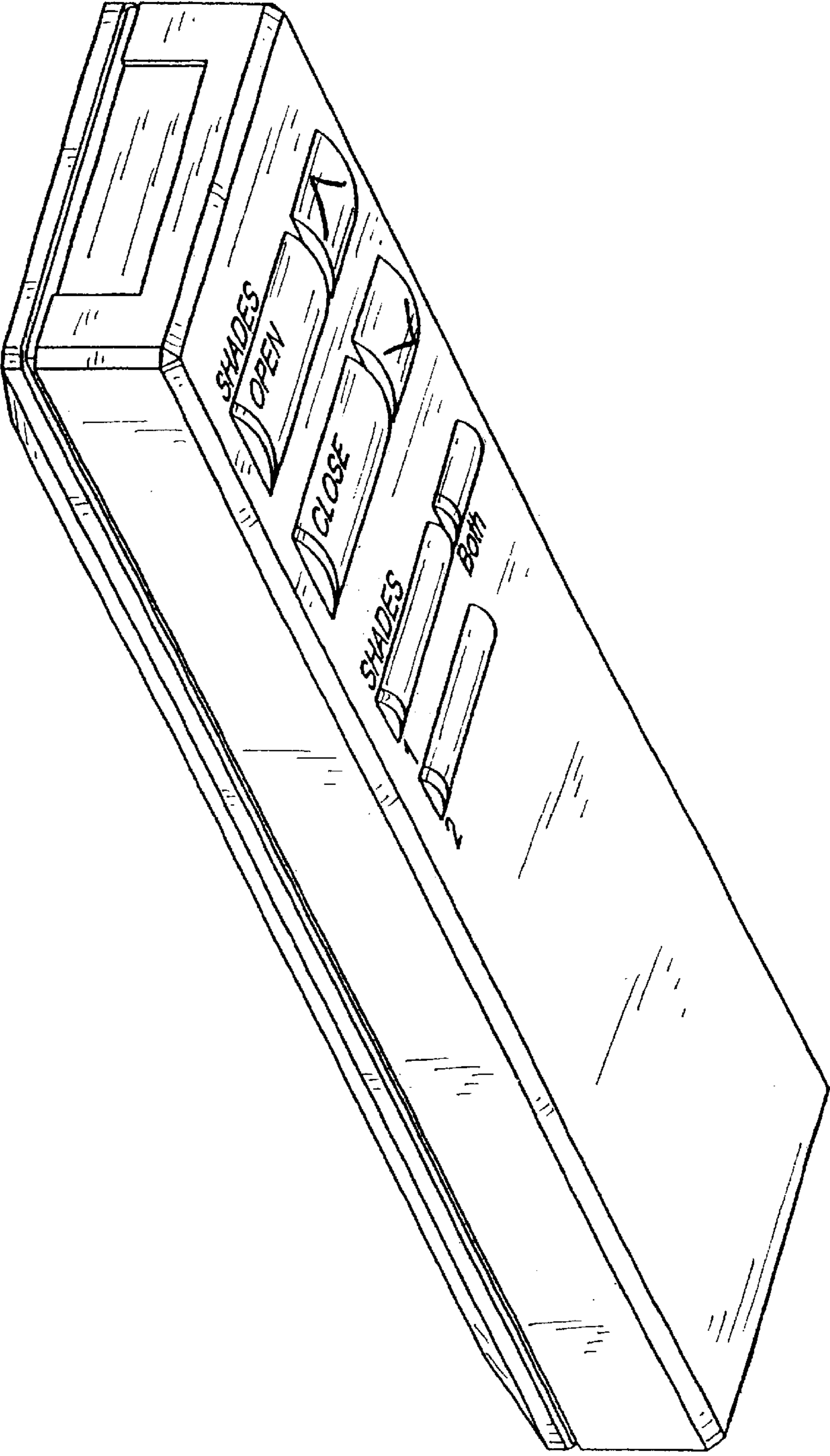


Fig. 1

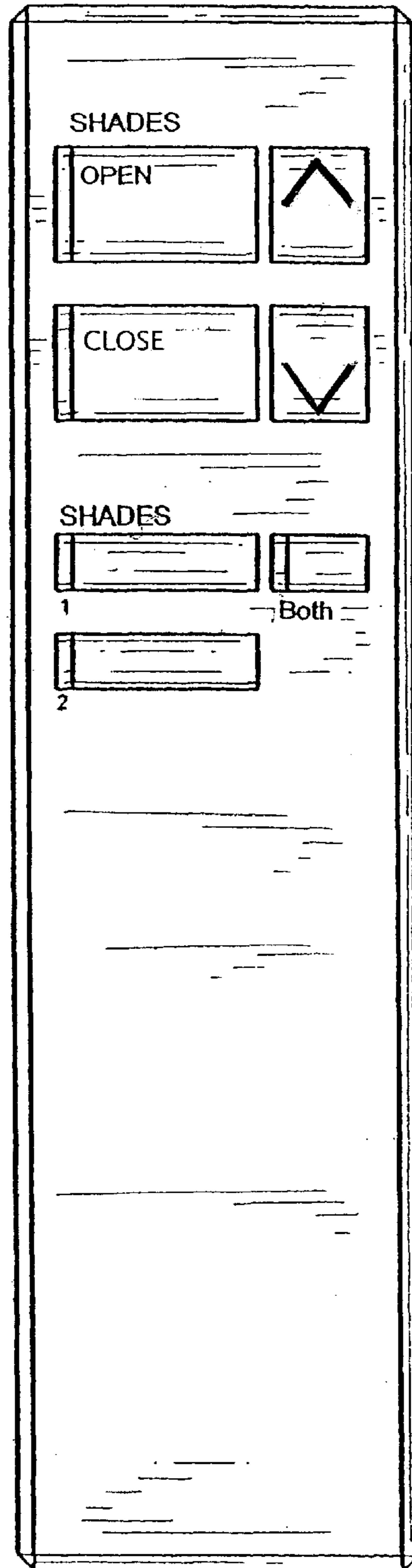


Fig. 2

Fig. 4

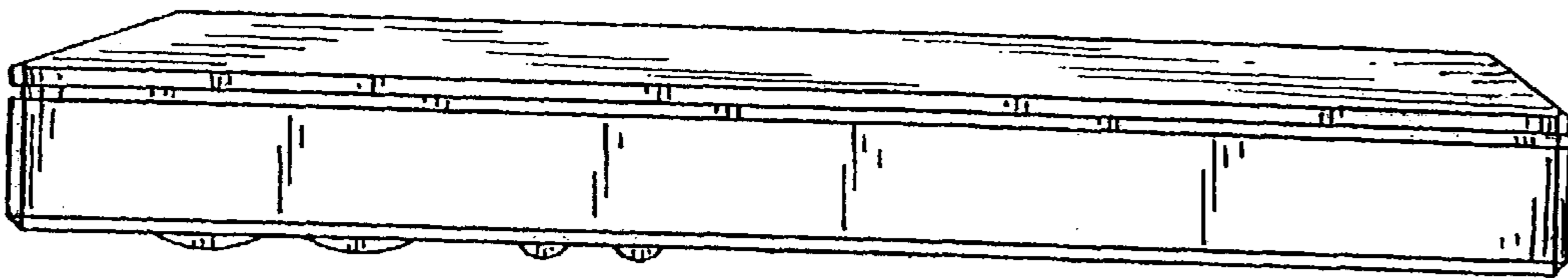
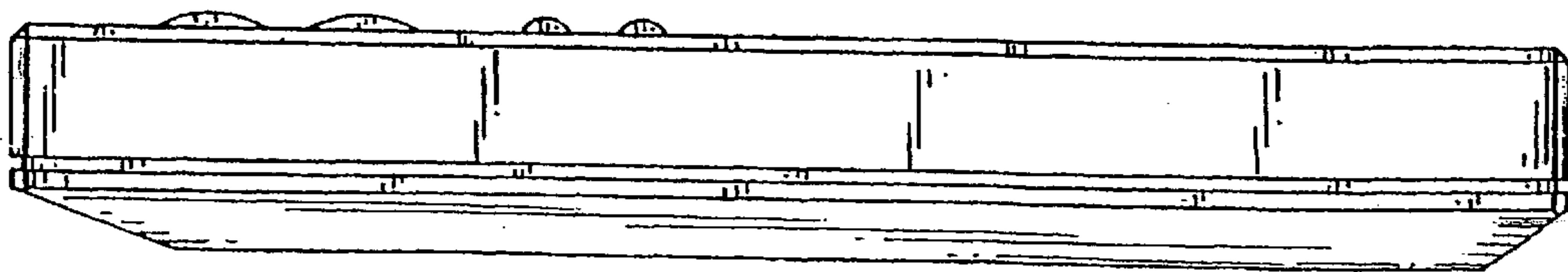


Fig. 3



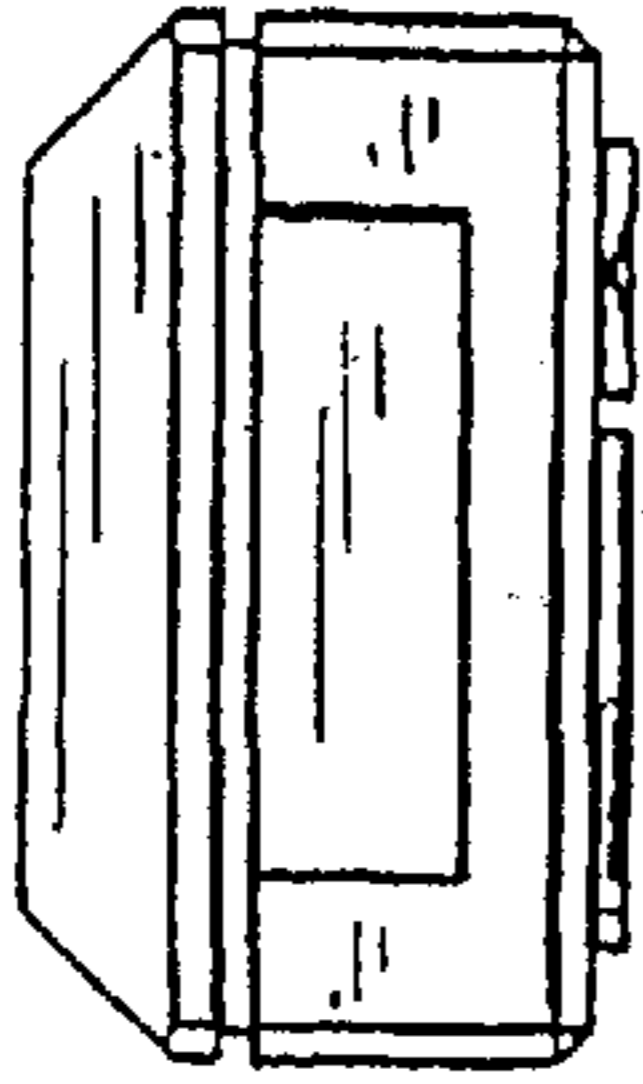


Fig. 6



Fig. 7

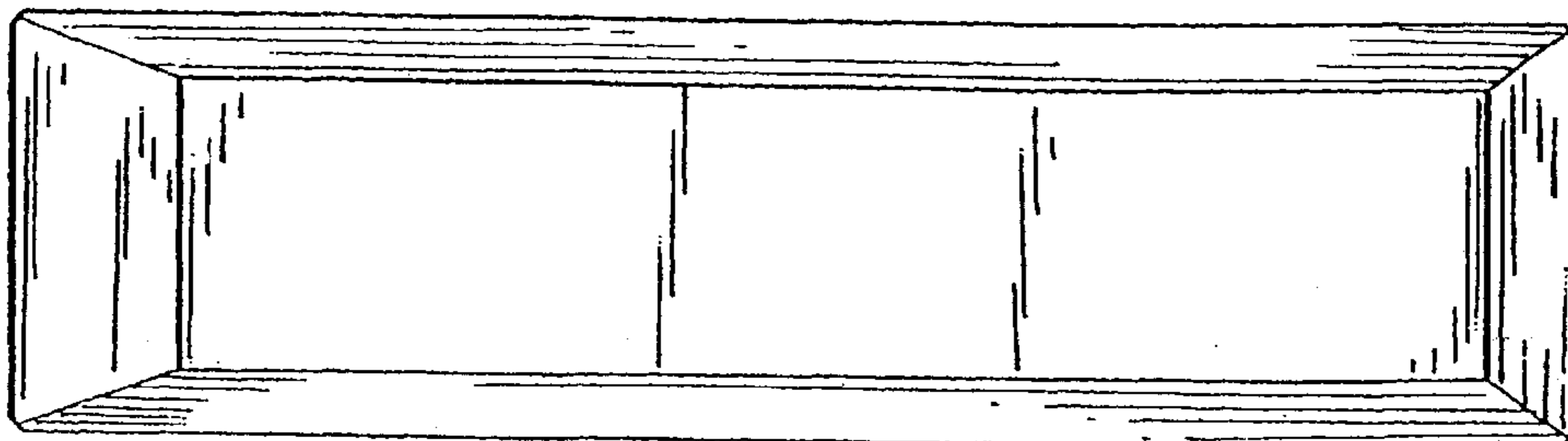


Fig. 5