



US00D539231S

(12) **United States Design Patent**  
**Stempinski**

(10) **Patent No.:** **US D539,231 S**

(45) **Date of Patent:** **\*\* Mar. 27, 2007**

(54) **RACEWAY WITH DOWNWARDLY FACING RECEPTACLES**

(75) **Inventor:** **Shawn Stempinski**, Wethersfield, CT (US)

(73) **Assignee:** **The Wiremold Company**, West Hartford, CT (US)

(\*\*) **Term:** **14 Years**

(21) **Appl. No.:** **29/244,225**

(22) **Filed:** **Dec. 6, 2005**

(51) **LOC (8) Cl.** ..... **13-03**

(52) **U.S. Cl.** ..... **D13/155**

(58) **Field of Classification Search** ..... D13/139.2, D13/154-156, 173, 184; D8/356; D25/119, D25/124; 174/5 R, 481, 504, 66, 68.1, 68.3, 174/72 R, 72 C, 75 R, 82, 95-97, 480, 495; 52/287.1-288.1, 220.1, 220.7; 439/216; 138/92, 138/95, 100, 111, 162, 166, 168

See application file for complete search history.

(56) **References Cited**

**U.S. PATENT DOCUMENTS**

D130,827 S	*	12/1941	O'Brien	.....	D13/139.2
D231,896 S	*	6/1974	Zerwes	.....	D8/353
D233,729 S	*	11/1974	De Forrest	.....	D8/353
D258,766 S	*	3/1981	Gold	.....	D25/119
D273,084 S	*	3/1984	Henkel	.....	D8/353
D310,320 S	*	9/1990	Domian	.....	D8/350
D318,738 S	*	7/1991	Clodfelter, Sr.	.....	D25/119
D321,863 S	*	11/1991	Henneberger	.....	D13/155
D327,874 S	*	7/1992	Henneberger	.....	D13/155
D334,380 S	*	3/1993	Henneberger	.....	D13/115
D413,306 S	*	8/1999	Scherer et al.	.....	D13/155

6,362,420 B1		3/2002	Bacouelle et al.	.....	174/48
D471,878 S	*	3/2003	Dyer et al.	.....	D13/155
D483,333 S	*	12/2003	Gresham et al.	.....	D13/155
D484,469 S		12/2003	Thibault	.....	D13/184
D486,130 S		2/2004	Thibault	.....	D13/184

**FOREIGN PATENT DOCUMENTS**

JP 2005229775 8/2005

\* cited by examiner

*Primary Examiner*—Alan P. Douglas

*Assistant Examiner*—Rosemary K. Tarcza

(74) *Attorney, Agent, or Firm*—McCormick, Paulding & Huber LLP

(57) **CLAIM**

I claim the ornamental design for a raceway with downwardly facing receptacles, as shown and described.

**DESCRIPTION**

FIG. 1 is a top front side quartering perspective view of a raceway mounted downwardly facing receptacle incorporating my new design;

FIG. 2 is a bottom side quartering perspective view thereof;

FIG. 3 is a bottom front perspective view thereof;

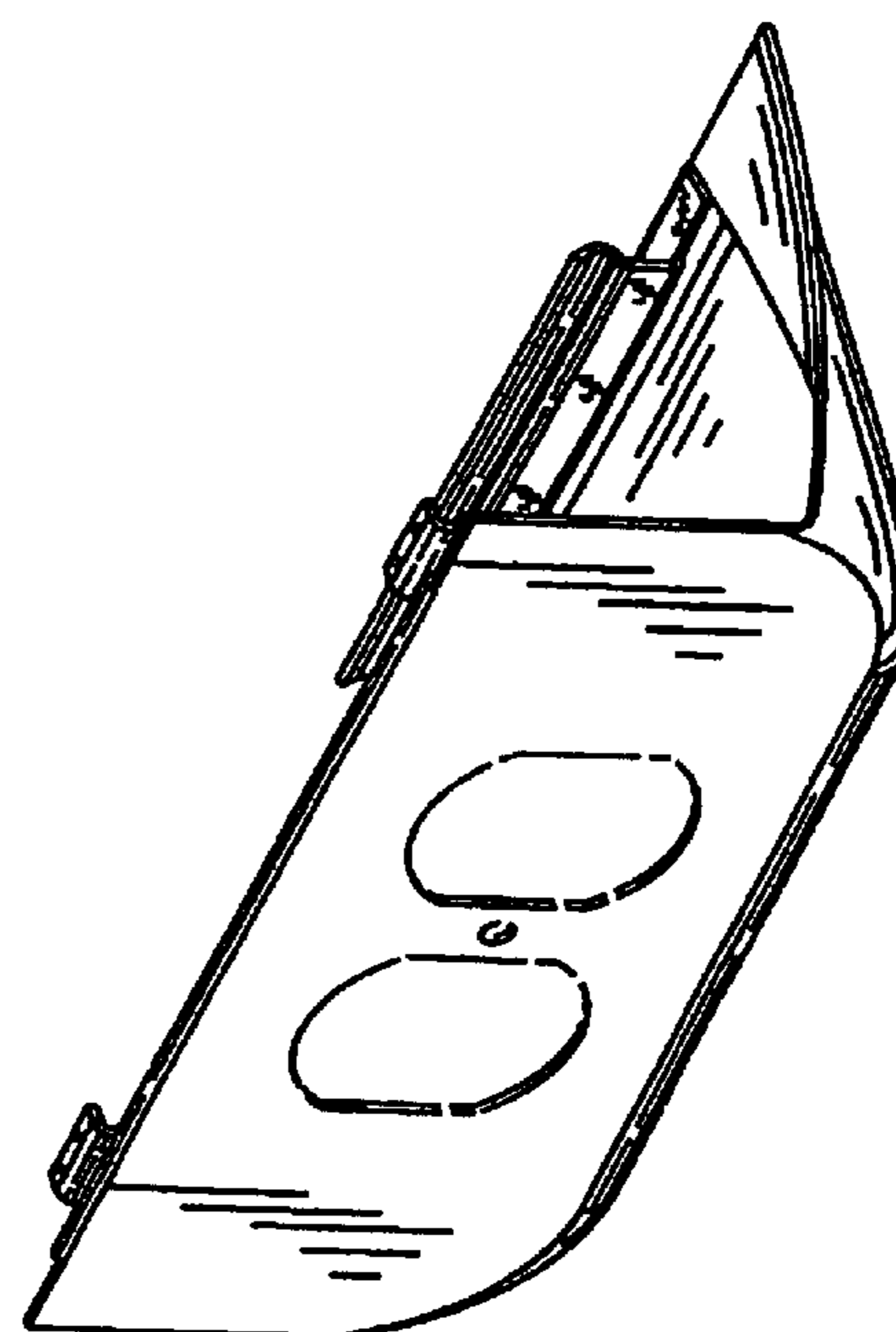
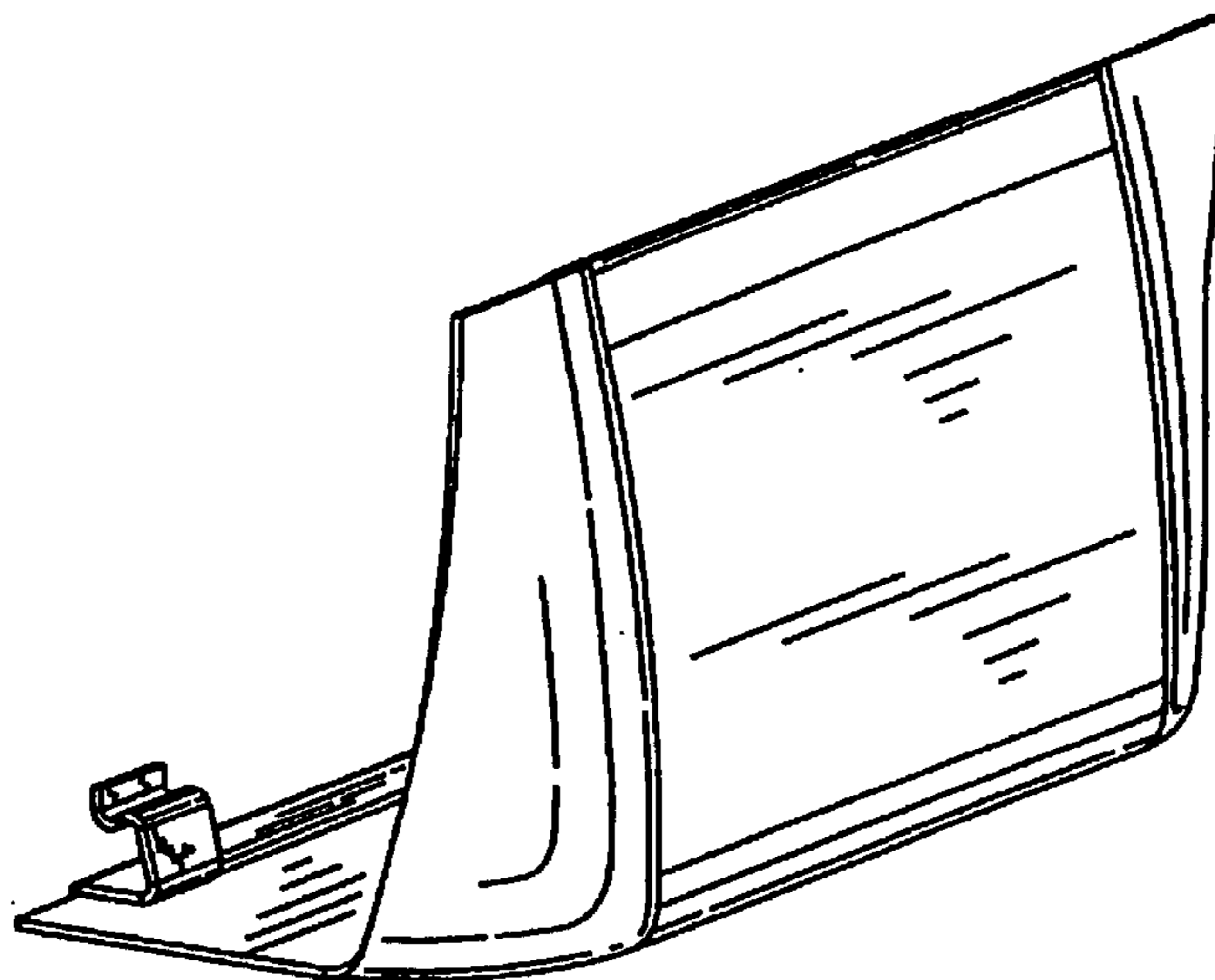
FIG. 4 is an end view thereof, the opposite end being identical thereto;

FIG. 5 is a bottom view thereof; and,

FIG. 6 is a top front quartering perspective view thereof, with the raceway environment for the present invention illustrated in phantom lines.

The phantom lines in the various views are presented solely for purposes of illustrating the environment for the invention and form no part of the design.

**1 Claim, 3 Drawing Sheets**



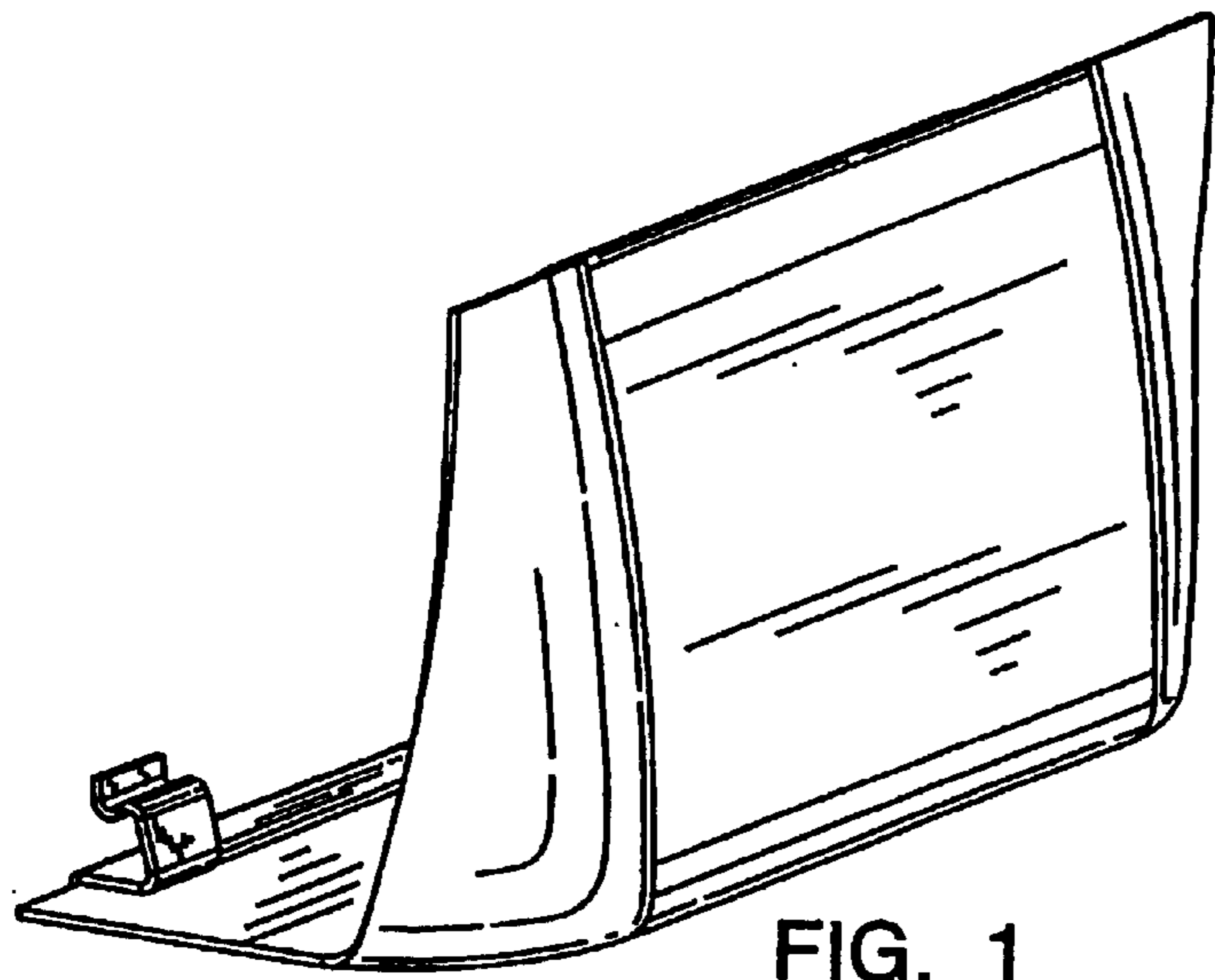


FIG. 1

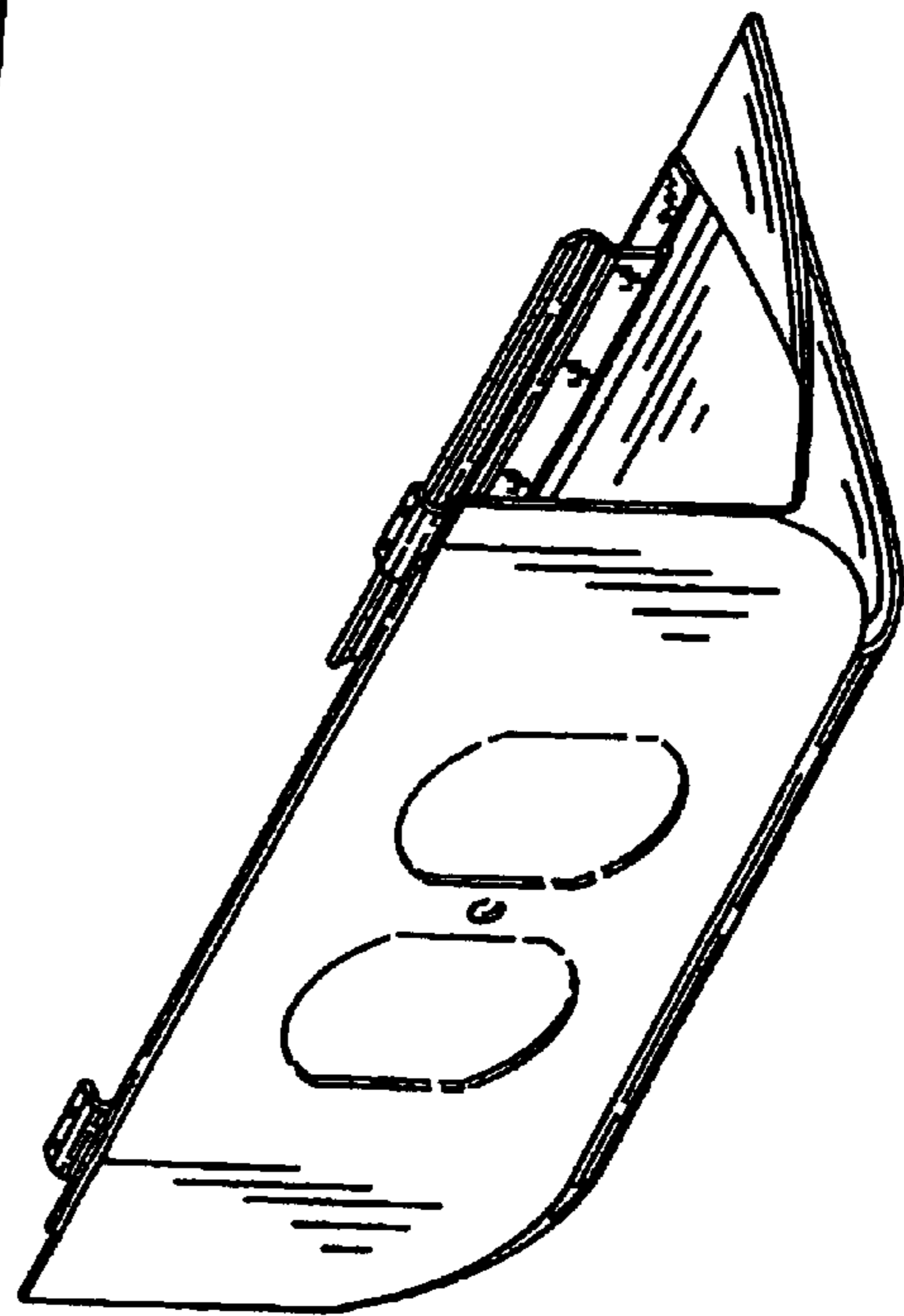


FIG. 2

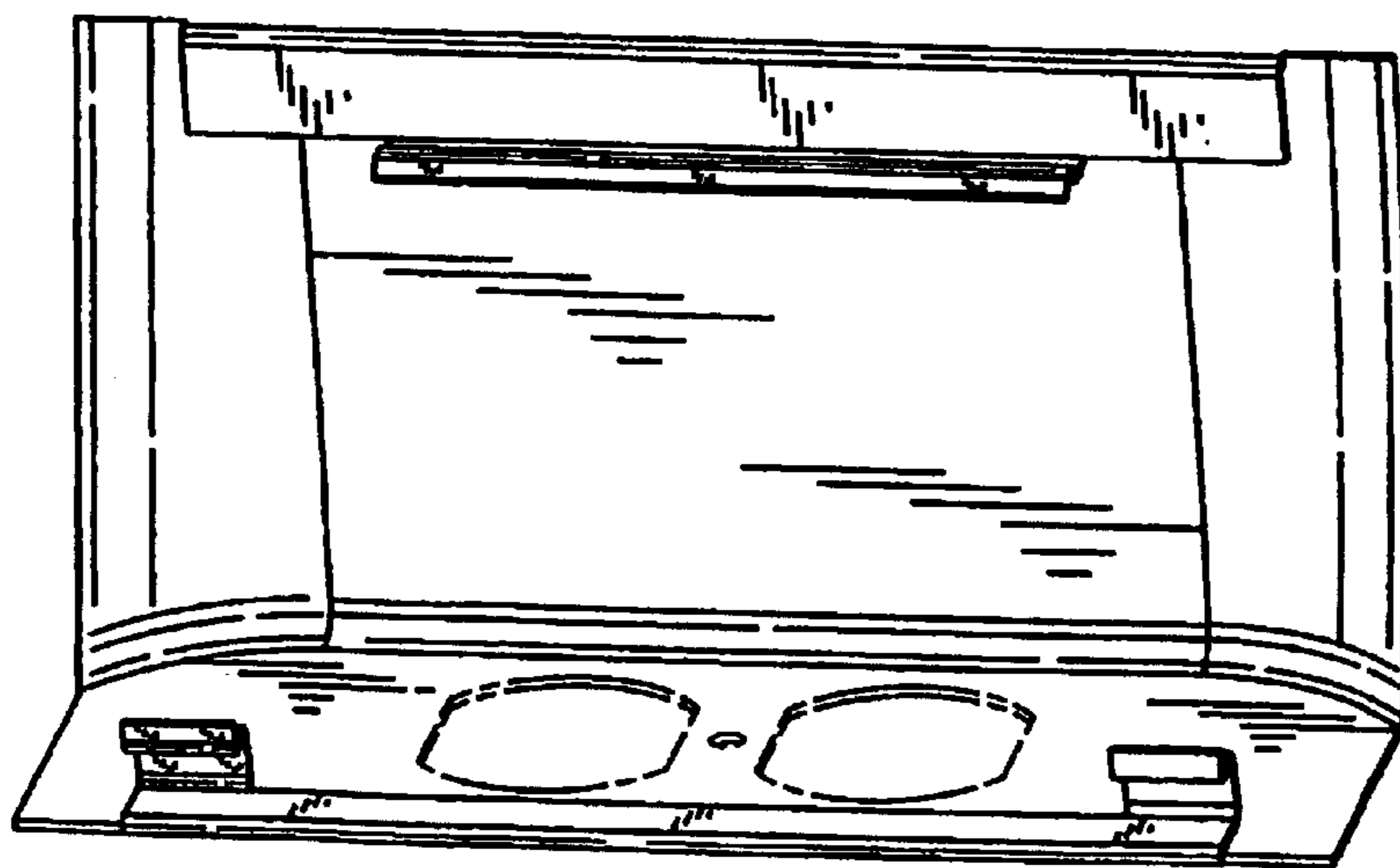


FIG. 3

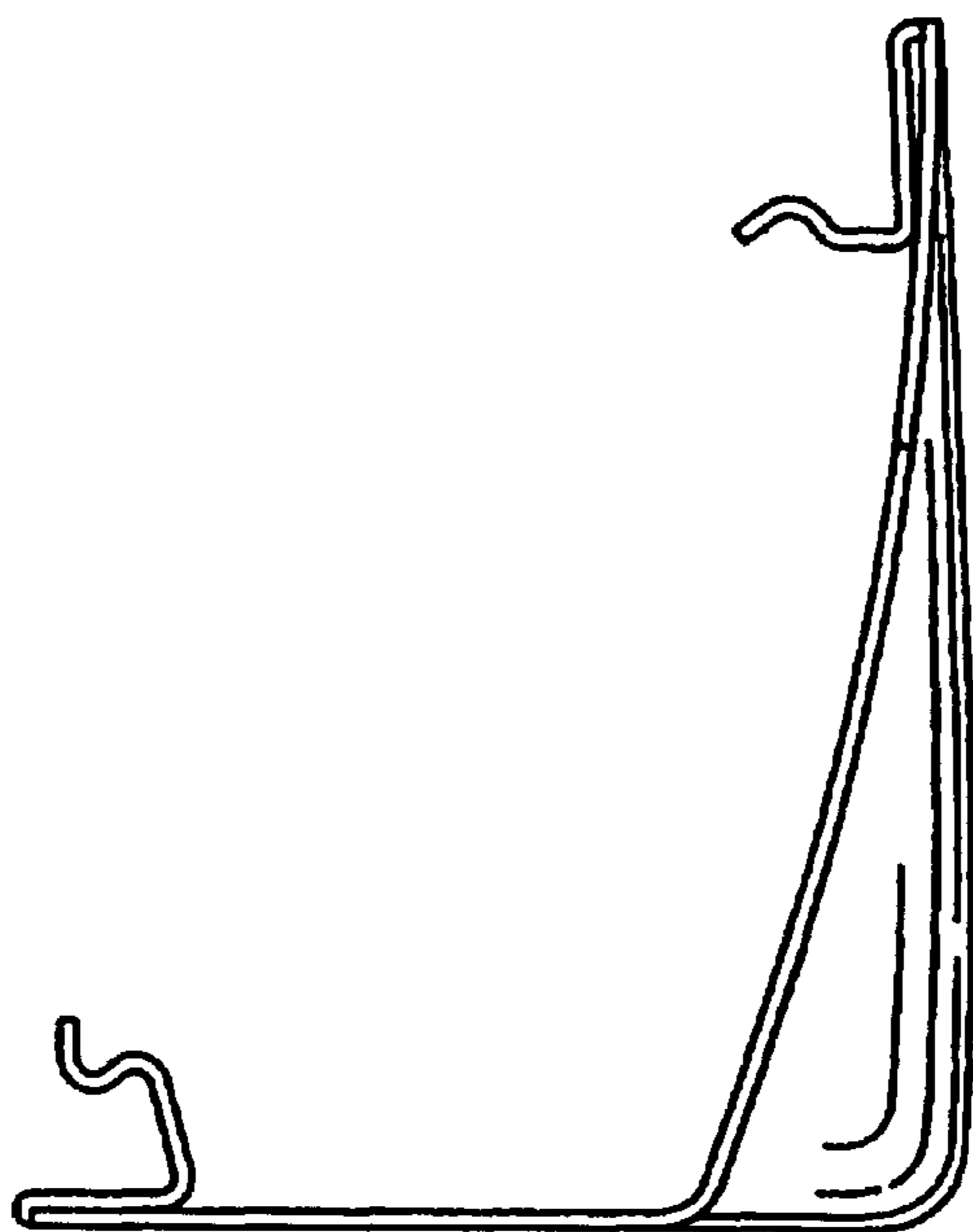


FIG. 4

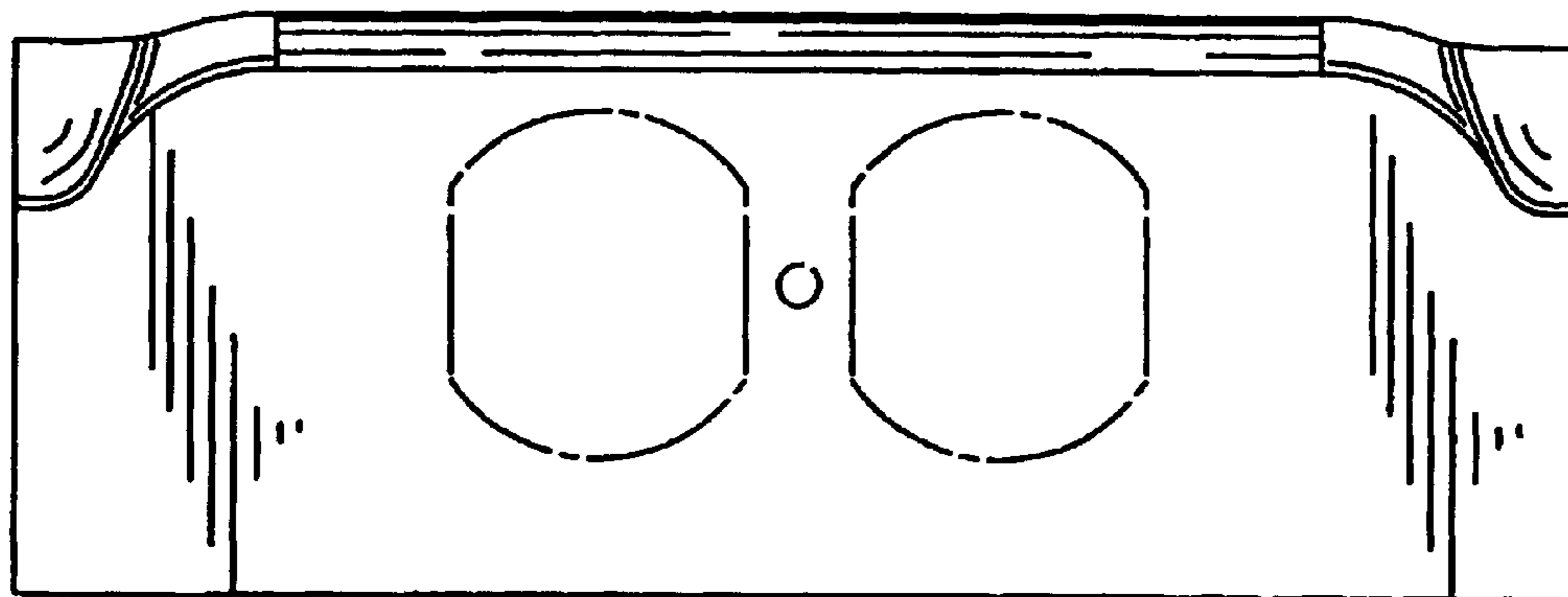


FIG. 5

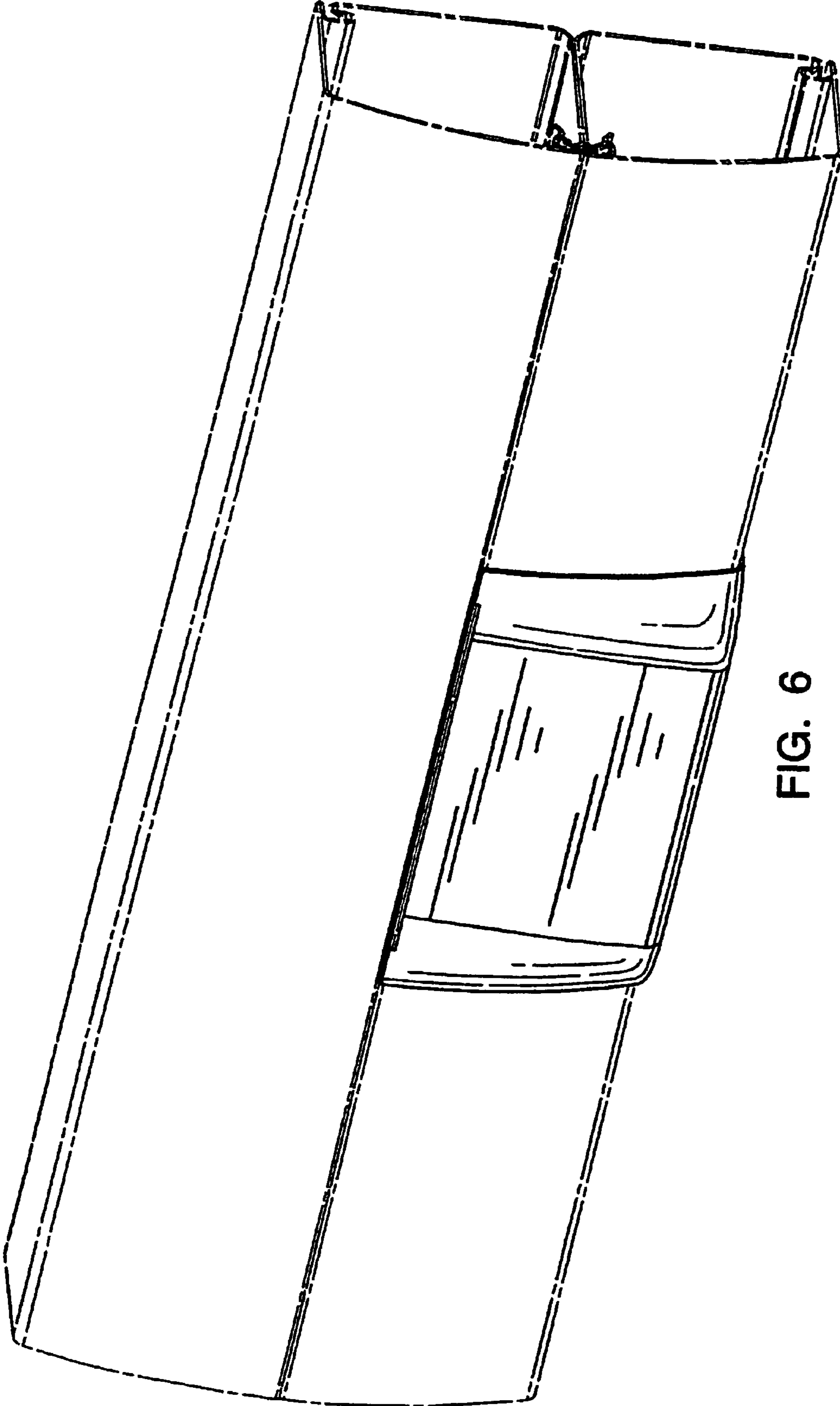


FIG. 6