



US00D539230S

(12) **United States Design Patent**  
**Jordan**

(10) **Patent No.:** **US D539,230 S**  
(45) **Date of Patent:** **\*\* Mar. 27, 2007**

(54) **EXTRUSION WITH WIRE CONDUIT**

(75) Inventor: **Robert Jordan**, Riviera Beach, FL  
(US)

(73) Assignee: **E-Tec Marine Products, Inc.**, Riviera  
Beach, FL (US)

(\*\*) Term: **14 Years**

(21) Appl. No.: **29/231,662**

(22) Filed: **Jun. 8, 2005**

(51) **LOC (8) Cl.** ..... **13-03**

(52) **U.S. Cl.** ..... **D13/155**

(58) **Field of Classification Search** ..... D13/139.2,  
D13/154-156, 173, 184; D8/356; D25/119,  
D25/124; 174/5 R, 481, 504, 66, 68.1, 68.3,  
174/72 R, 72 C, 75 R, 82, 95-97, 480, 495;  
52/287.1-288.1, 220.1, 220.7; 439/216; 138/92,  
138/95, 100, 111, 162, 166, 168  
See application file for complete search history.

(56) **References Cited**

**U.S. PATENT DOCUMENTS**

3,118,017 A \* 1/1964 Wimbish ..... 174/97  
D266,483 S \* 10/1982 Merry ..... D8/382  
D288,802 S \* 3/1987 Bramwell ..... D13/155  
D289,635 S \* 5/1987 Bramwell ..... D13/155

D342,523 S \* 12/1993 Morgan et al. .... D14/250  
5,469,682 A \* 11/1995 Knight ..... 52/718.01  
D371,343 S \* 7/1996 Loftus ..... D13/155  
D426,649 S \* 6/2000 Siudzinski et al. .... D25/124  
D450,045 S \* 11/2001 Yang ..... D13/184  
D474,750 S \* 5/2003 Dyer et al. .... D13/155  
D498,211 S \* 11/2004 Thibault ..... D13/155  
6,972,367 B2 \* 12/2005 Federspiel et al. .... 174/481  
2003/0089515 A1 \* 5/2003 Federspiel et al. .... 174/48

\* cited by examiner

*Primary Examiner*—Alan P. Douglas

*Assistant Examiner*—Rosemary K. Tarcza

(74) *Attorney, Agent, or Firm*—McHale & Slavin PA

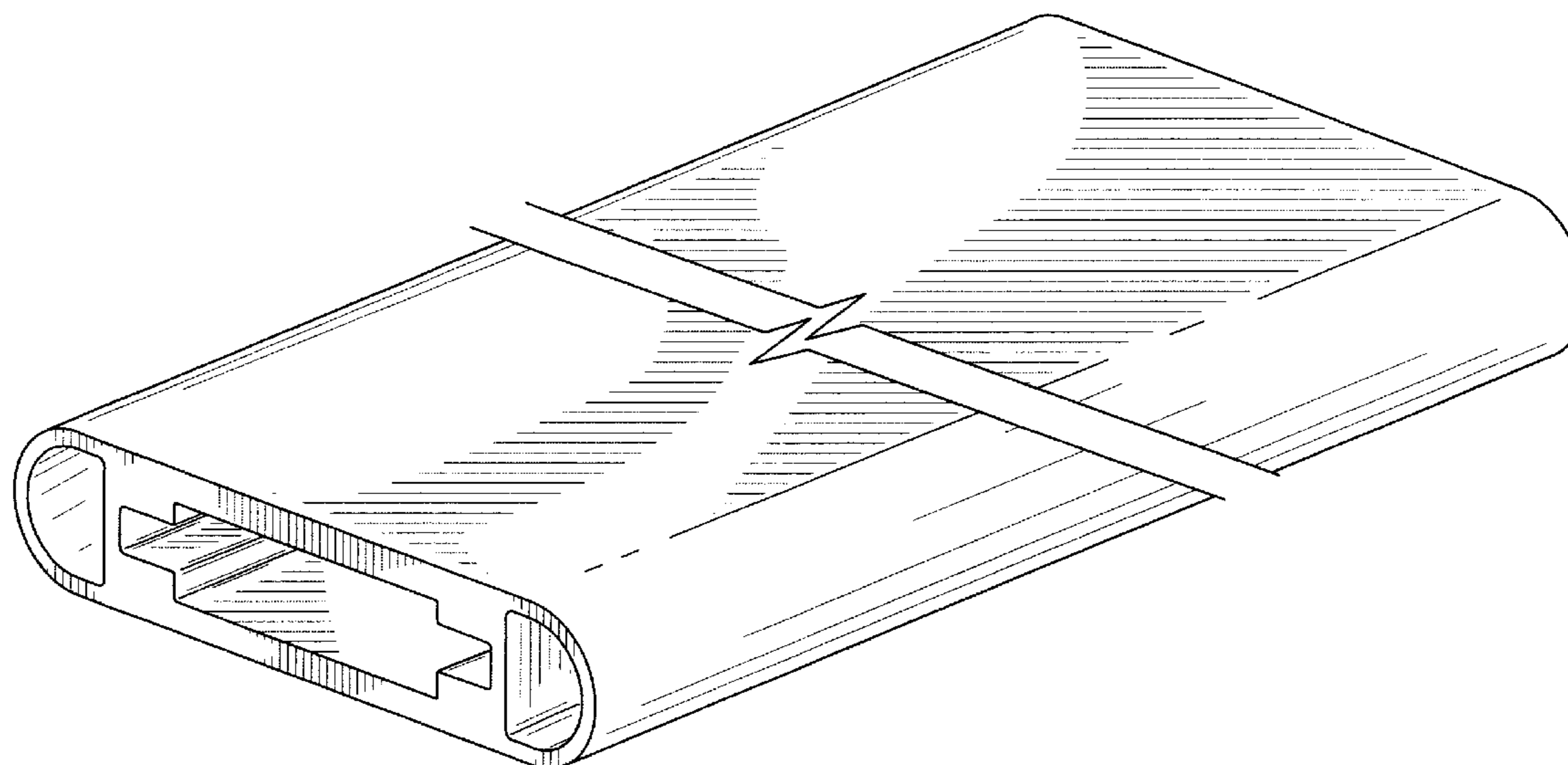
(57) **CLAIM**

The ornamental design for an extrusion with wire conduit, as shown and described.

**DESCRIPTION**

FIG. 1 is a perspective view of the extrusion with wire conduit of the instant invention;  
FIG. 2 is a first end view thereof; not shown is the second end which is a mirror image of the first end;  
FIG. 3 is a top plan view thereof; not shown is the bottom view which is a mirror image of the top view; and,  
FIG. 4 is a right side view thereof; not shown is the left side view which is a mirror image of the right side view.

**1 Claim, 2 Drawing Sheets**



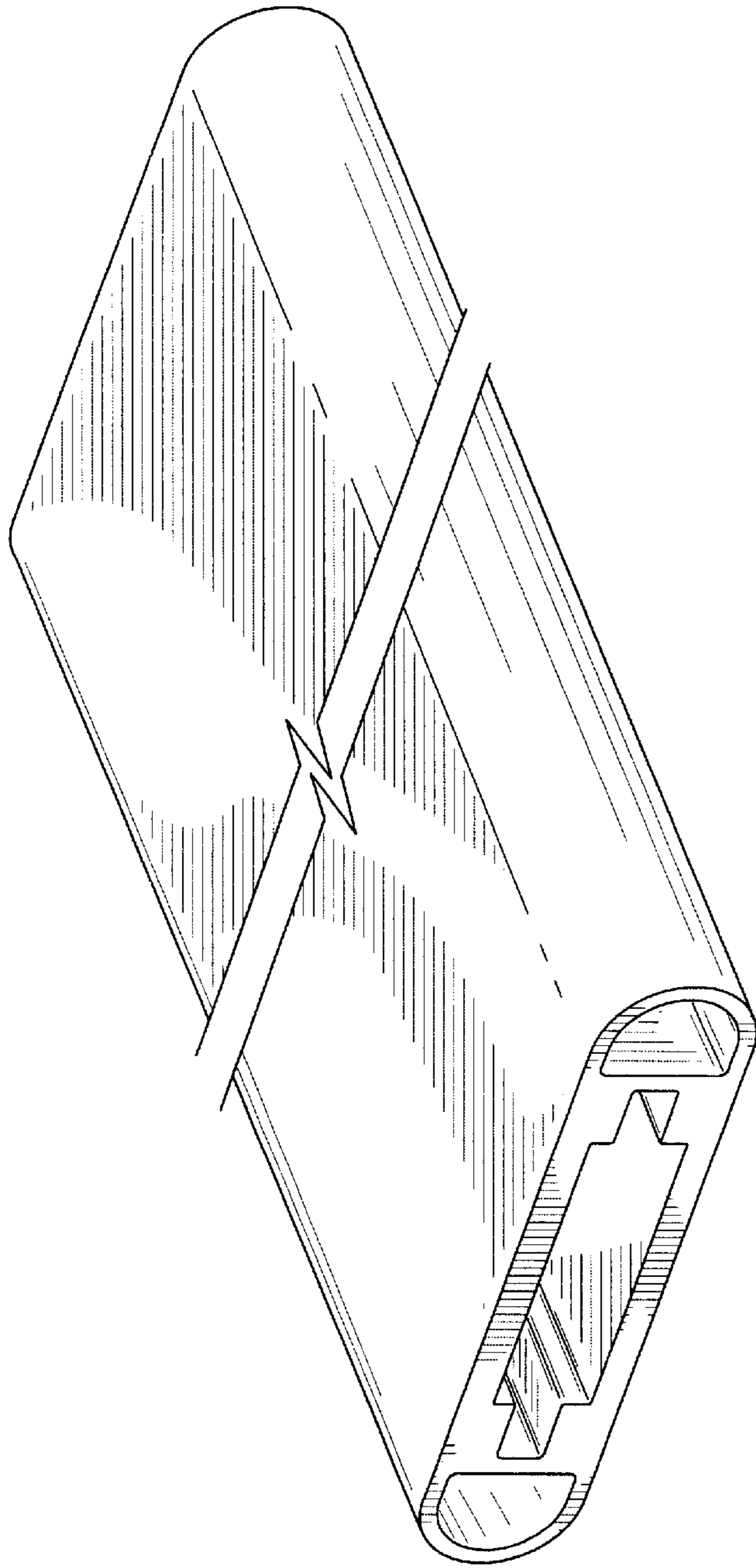


FIG. 1

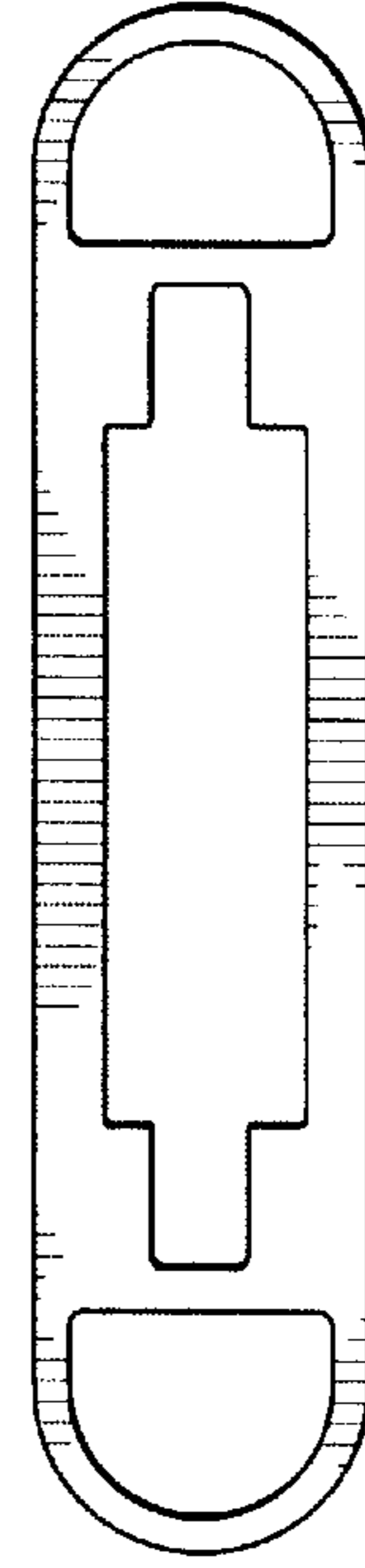


FIG. 2

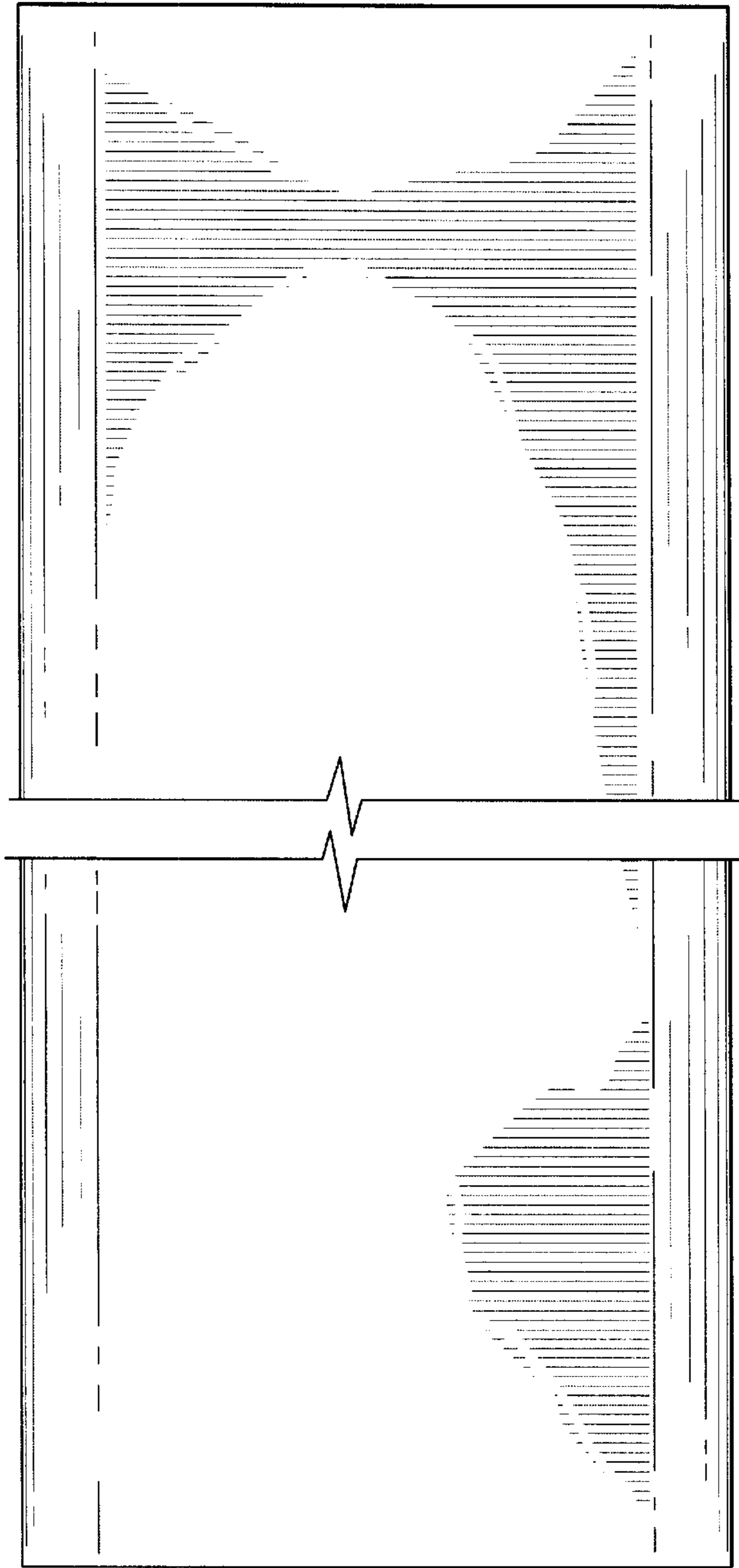


FIG. 3

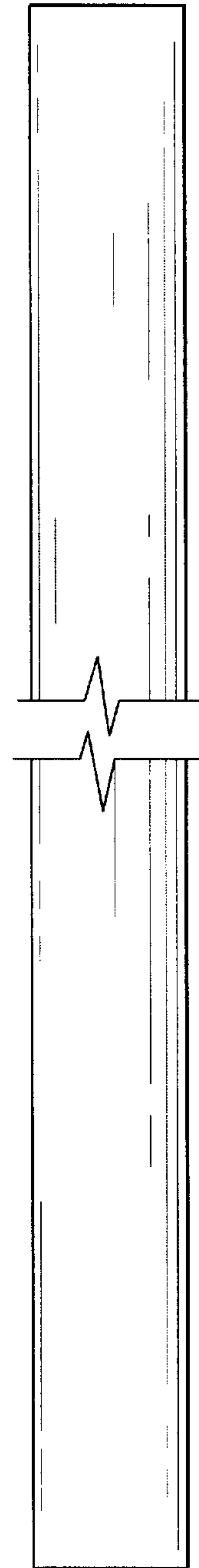


FIG. 4