

US00D539229S

(12) **United States Design Patent**
Murphey

(10) **Patent No.:** **US D539,229 S**

(45) **Date of Patent:** **** Mar. 27, 2007**

(54) **ELECTRICAL CONDUIT**

(75) Inventor: **R. Britt Murphey**, Elkhart, IN (US)

(73) Assignee: **B & B Molders, LLC**, Mishawaka, IN (US)

(**) Term: **14 Years**

(21) Appl. No.: **29/221,975**

(22) Filed: **Jan. 25, 2005**

(51) **LOC (8) Cl.** **13-03**

(52) **U.S. Cl.** **D13/155**

(58) **Field of Classification Search** D13/139.2, D13/154-156, 173, 184; D8/356; D25/119, D25/124; 174/5 R, 481, 504, 66, 68.1, 68.3, 174/72 R, 72 C, 75 R, 82, 95-97, 480, 495; 52/287.1-288.1, 220.1, 220.7; 439/216; 138/92, 138/95, 100, 111, 162, 166, 168
See application file for complete search history.

(56) **References Cited**

U.S. PATENT DOCUMENTS

3,380,208 A	*	4/1968	Cook	52/704
D222,469 S	*	10/1971	Plummer	D13/156
D227,989 S	*	7/1973	Geisel	D13/156
D325,723 S		4/1992	Gary et al.		
D367,467 S	*	2/1996	Nakamura	D13/154
D367,468 S	*	2/1996	Nakamura	D13/154
D410,631 S	*	6/1999	Foster	D13/156
D432,088 S	*	10/2000	Malak	D13/154
D432,090 S	*	10/2000	Malak	D13/154
D458,592 S	*	6/2002	Gust et al.	D13/155
6,469,249 B2	*	10/2002	Capella	174/66

D484,097 S	*	12/2003	Drane et al.	D13/139.4
D510,910 S	*	10/2005	Chung	D13/154
2006/0060368 A1	*	3/2006	Dinh	174/48

* cited by examiner

Primary Examiner—Alan P. Douglas

Assistant Examiner—Rosemary K. Tarcza

(74) *Attorney, Agent, or Firm*—Barnes & Thornburg LLP

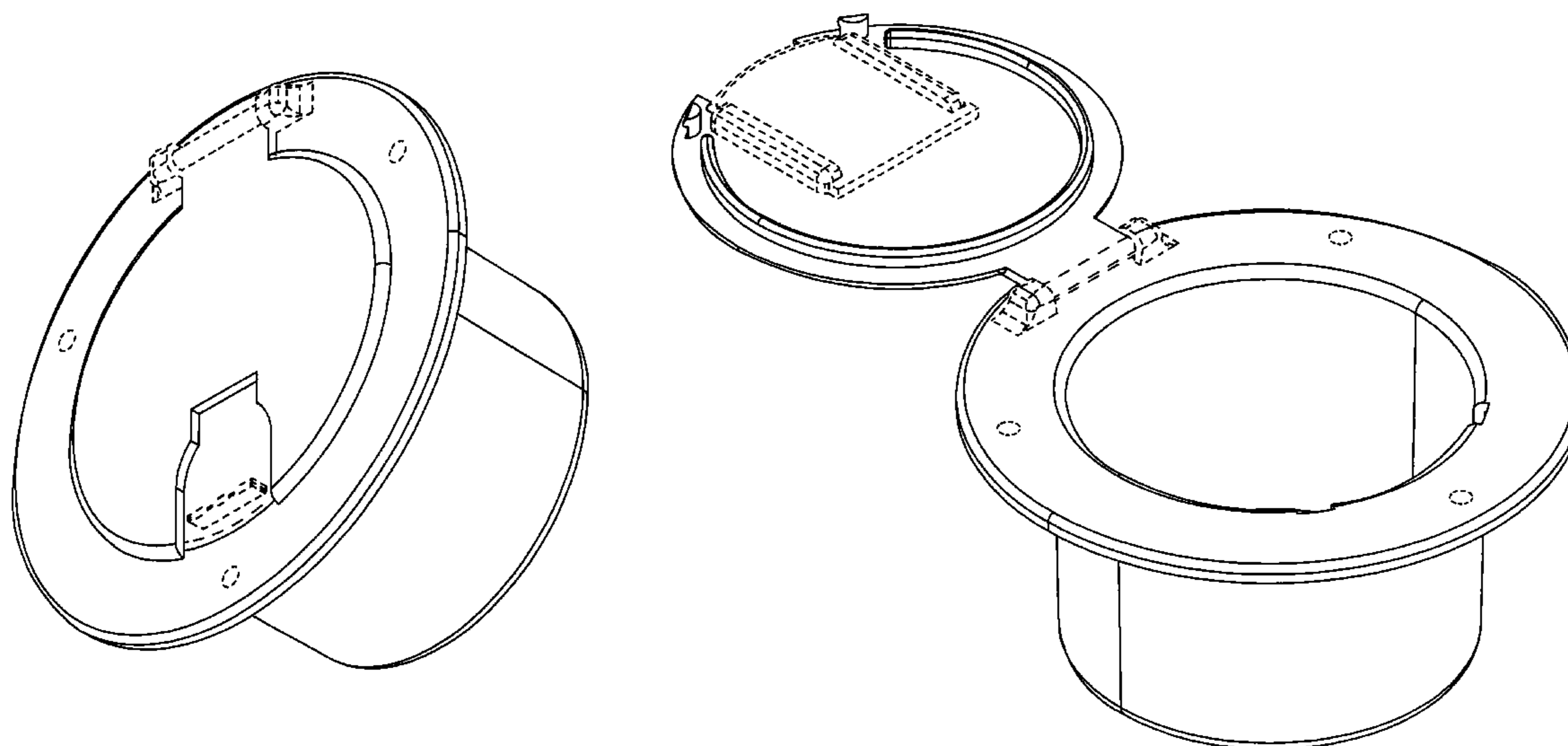
(57) **CLAIM**

The ornamental design for an electrical conduit, as shown and described.

DESCRIPTION

FIG. 1 is a front perspective view of an electrical conduit according to an embodiment of the present disclosure; FIG. 2 is a front perspective view of an electrical conduit according to an embodiment of the present disclosure; FIG. 3 is a front view of an electrical conduit according to an embodiment of the present disclosure; FIG. 4 is a side elevational view of an electrical conduit according to an embodiment of the present disclosure; FIG. 5 is another side elevational view of an electrical conduit according to an embodiment of the present disclosure; FIG. 6 is a back view of an electrical conduit according to an embodiment of the present disclosure; FIG. 7 is a front perspective view of an electrical conduit of the present disclosure with an access in an open position; and, FIG. 8 is a front perspective view of an electrical conduit according to an embodiment of the present disclosure with an access in an open position.

1 Claim, 8 Drawing Sheets



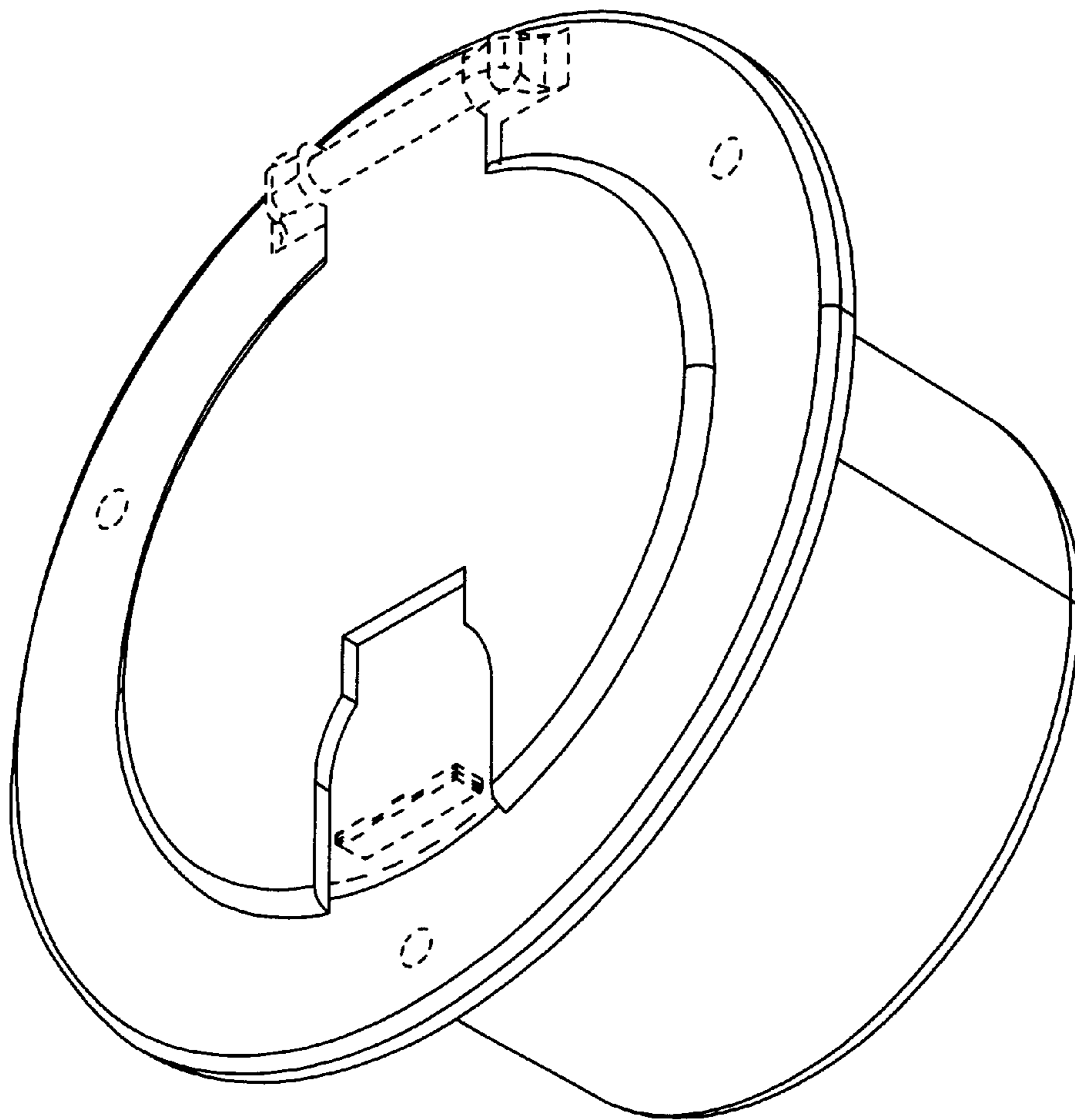


FIG 1

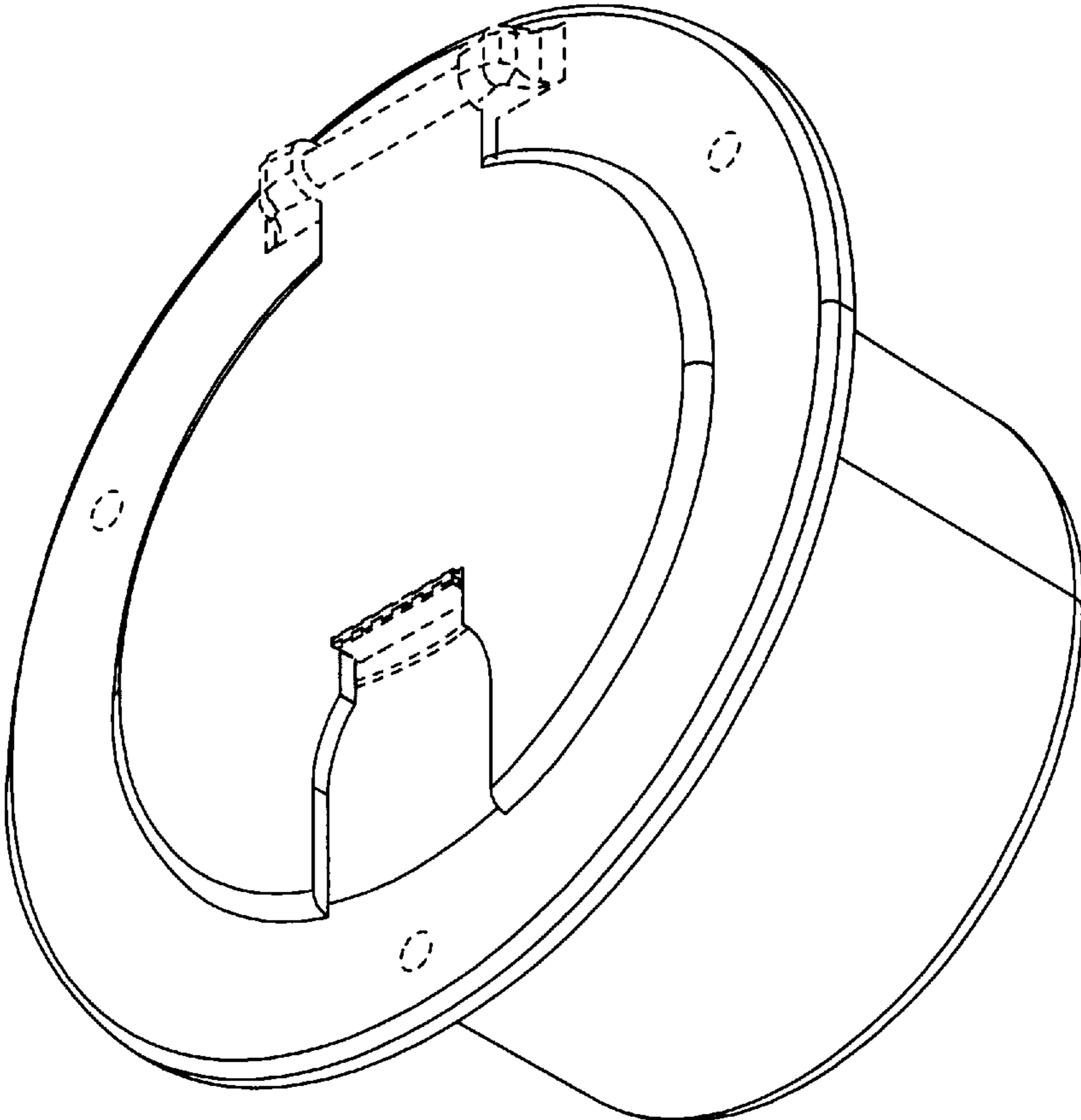


FIG 2

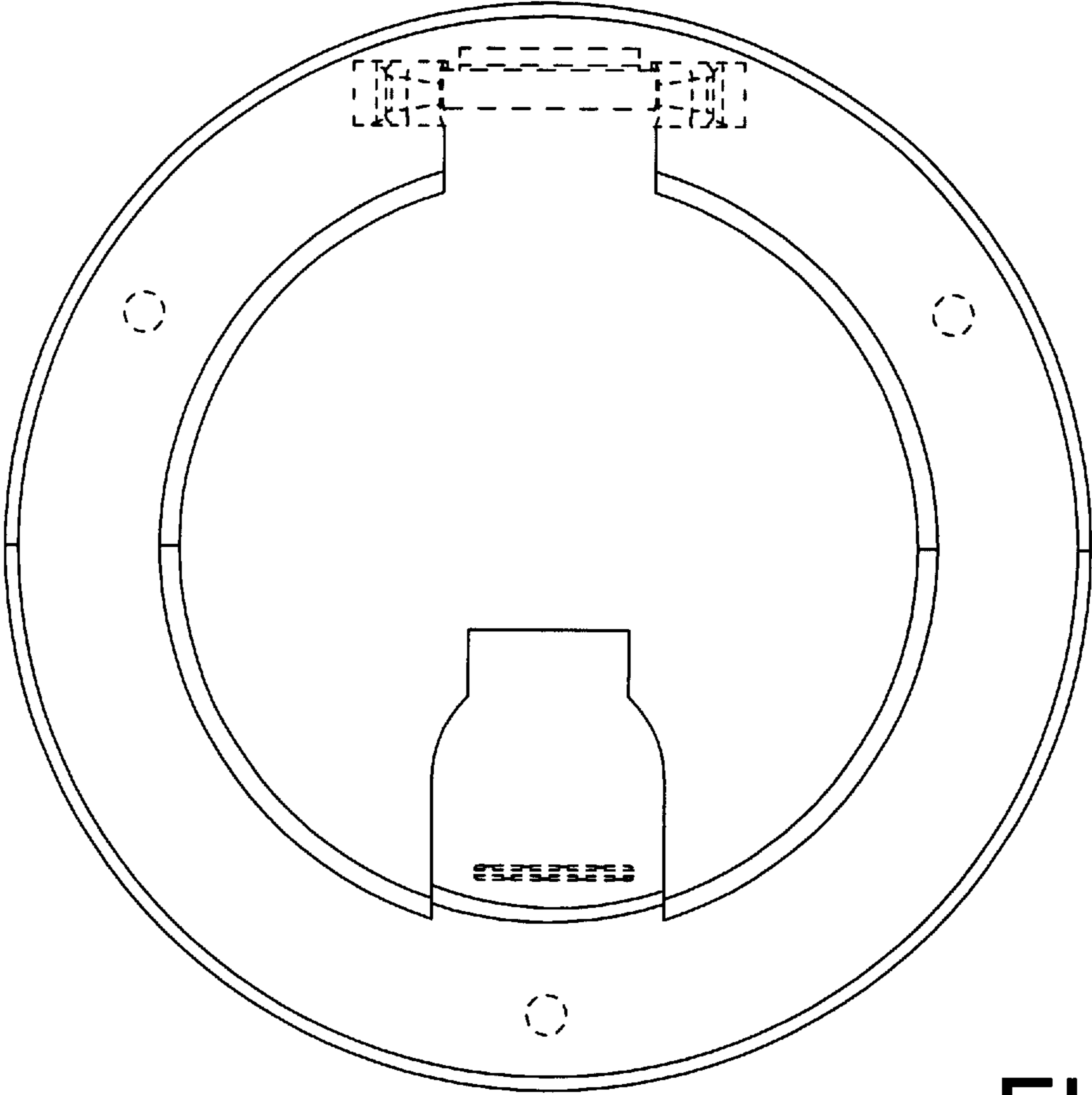


FIG 3

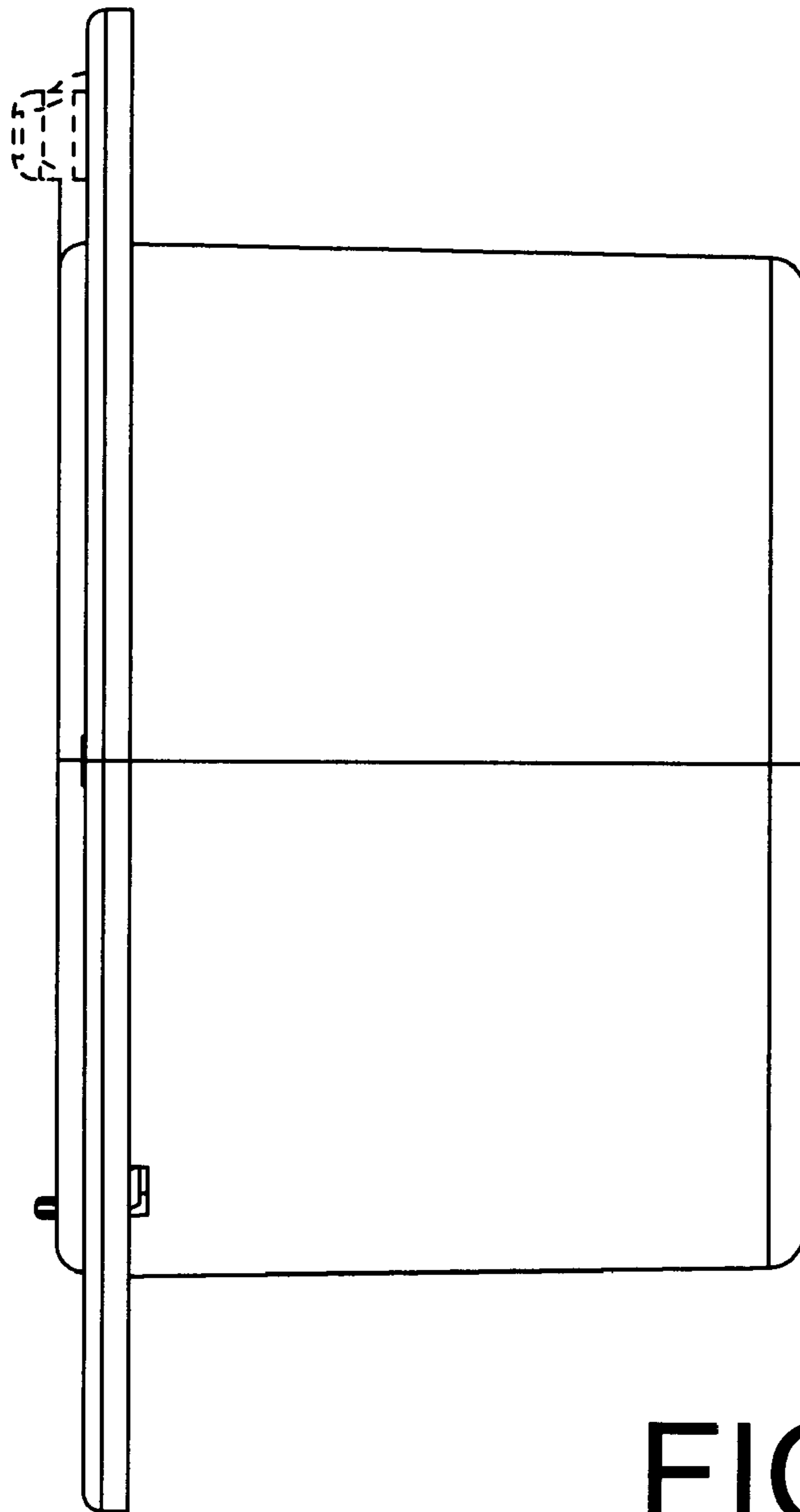


FIG 4

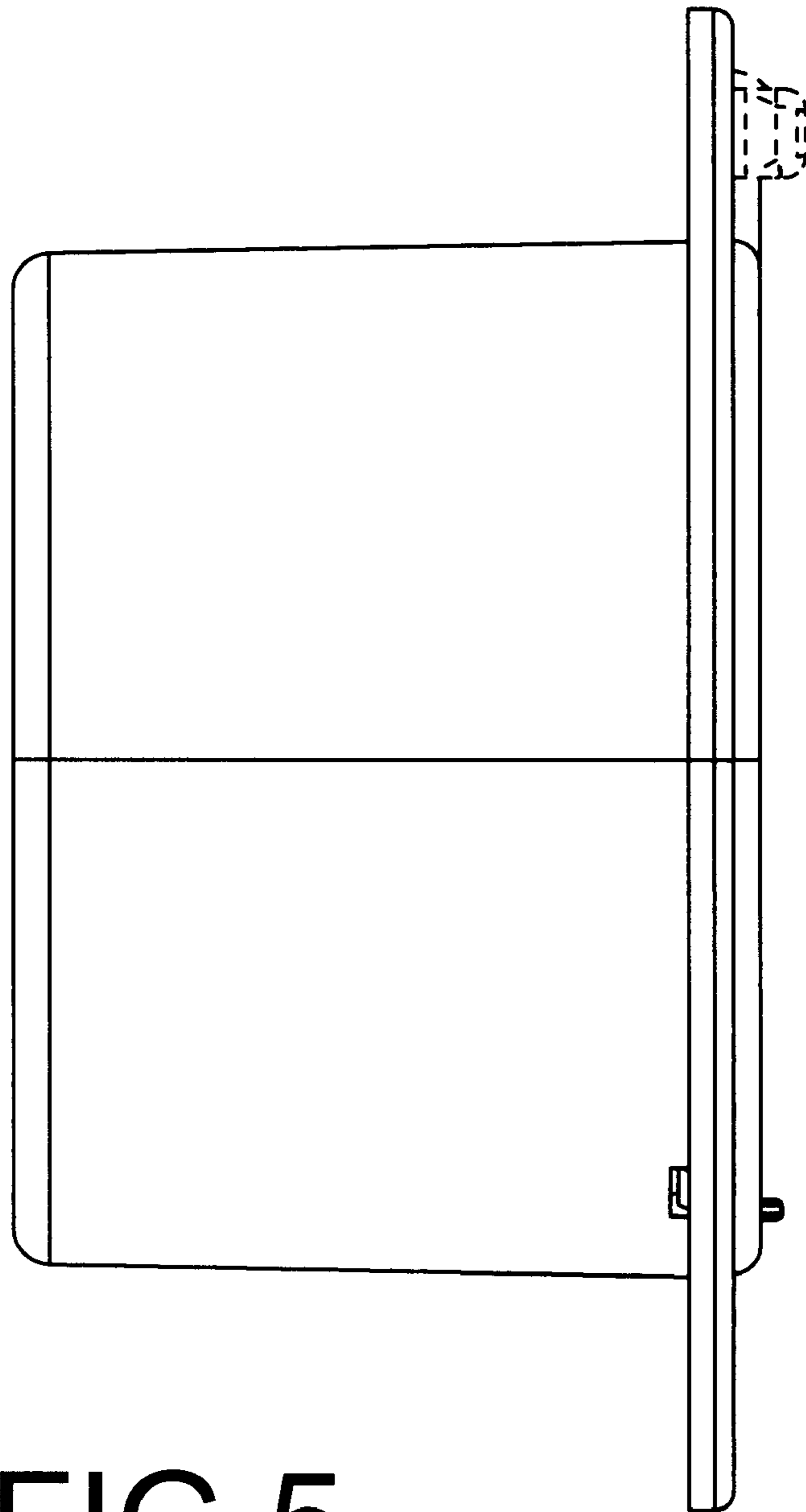


FIG 5

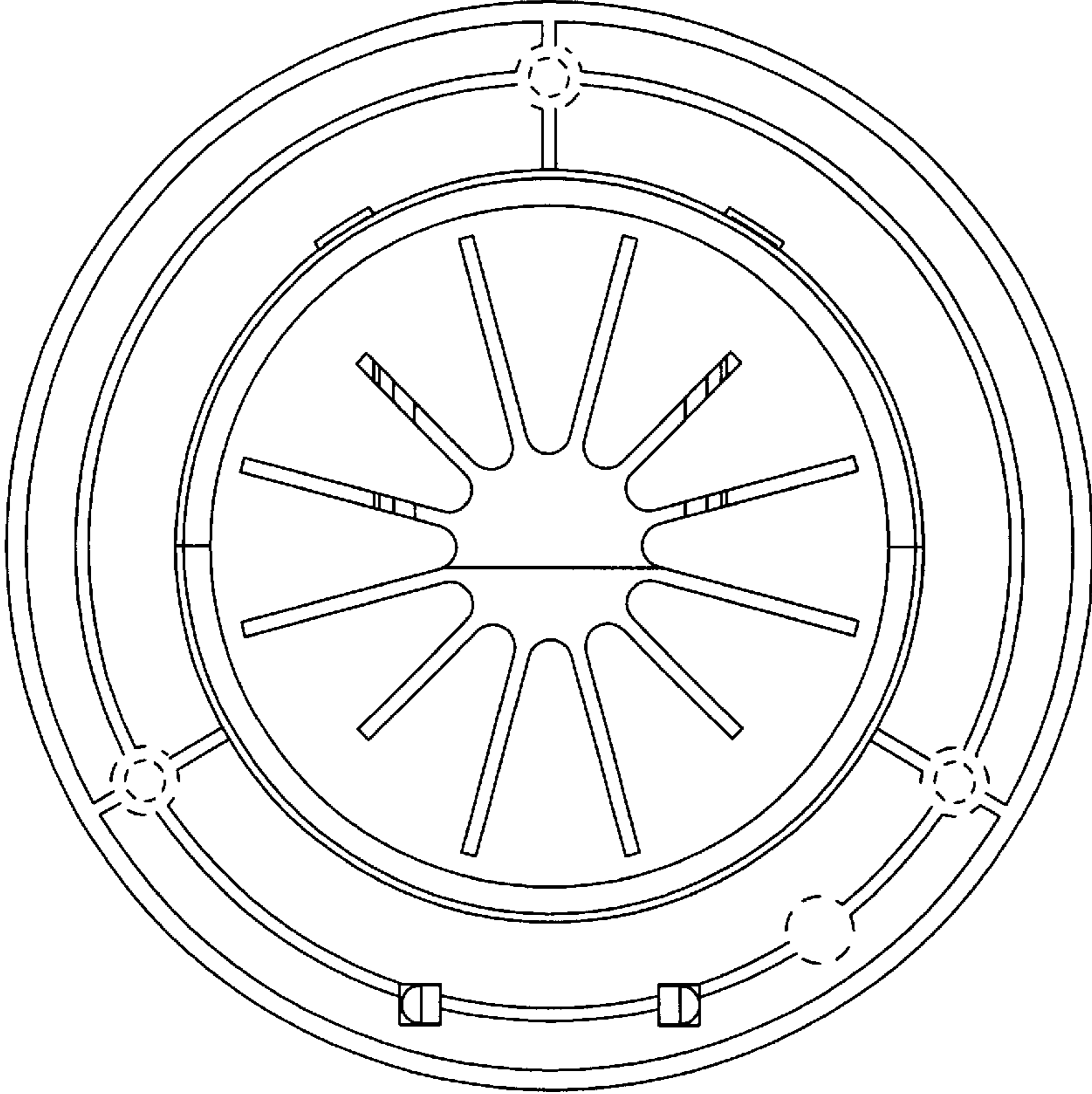


FIG 6

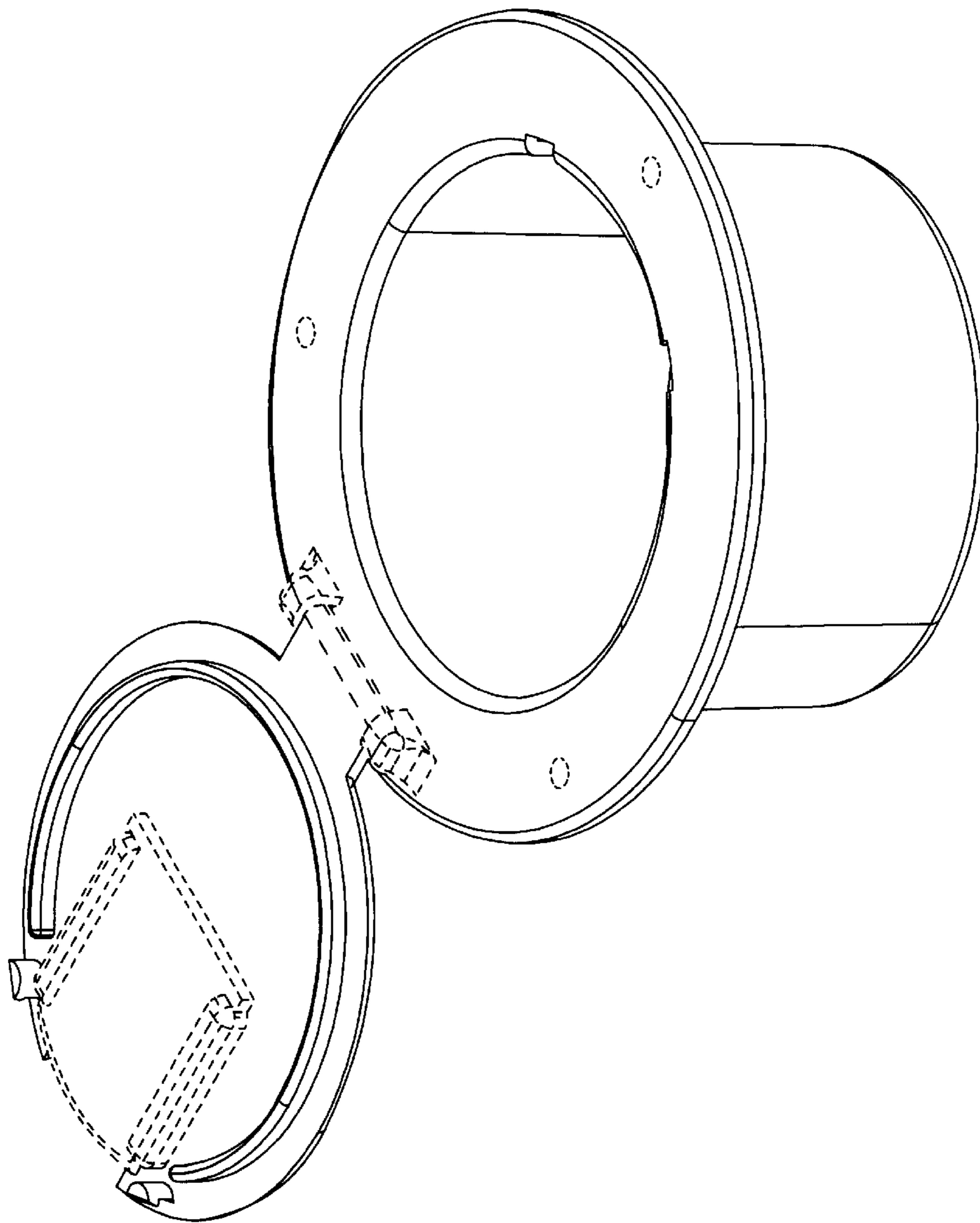


FIG 7

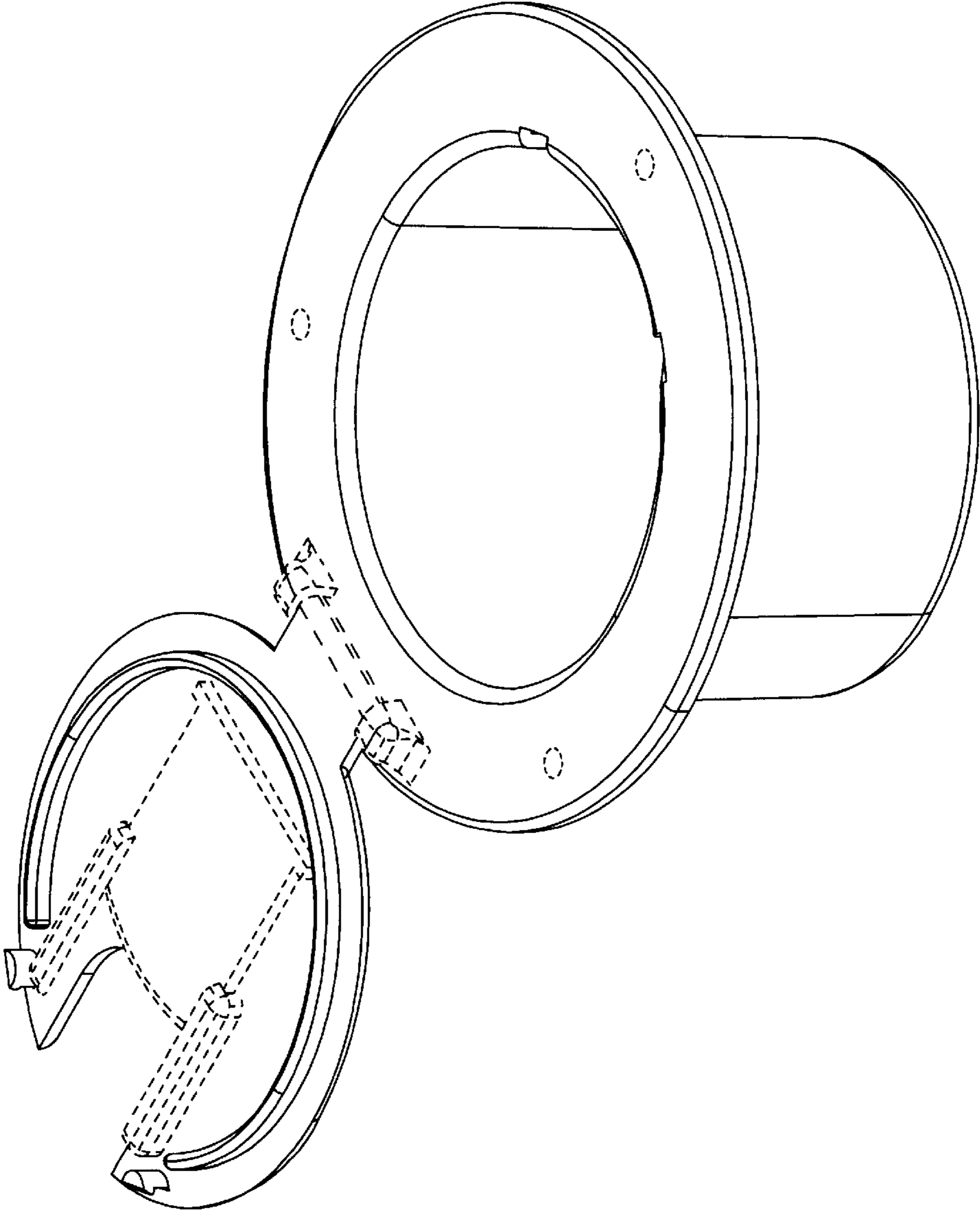


FIG 8