



US00D539227S

(12) **United States Design Patent**
Yamada et al.

(10) **Patent No.:** **US D539,227 S**

(45) **Date of Patent:** **** Mar. 27, 2007**

(54) **ELECTRIC CONNECTOR**

(75) Inventors: **Akio Yamada**, Utsunomiya (JP); **Isao Kojima**, Moka (JP); **Yasuyuki Koguchi**, Moka (JP); **Hikomichi Kato**, San Diego, CA (US)

(73) Assignee: **DDK Ltd.**, Tokyo (JP)

(**) Term: **14 Years**

(21) Appl. No.: **29/261,458**

(22) Filed: **Jun. 13, 2006**

(30) **Foreign Application Priority Data**

Dec. 13, 2005 (JP) D2005-036596

(51) **LOC (8) Cl.** **13-03**

(52) **U.S. Cl.** **D13/147**

(58) **Field of Classification Search** D13/133,
D13/146-147, 149, 154, 184; D14/432-436,
D14/438; 439/64, 79, 159-160, 260, 325,
439/329, 395, 492, 495, 607-610, 630
See application file for complete search history.

(56) **References Cited**

U.S. PATENT DOCUMENTS

5,545,051 A * 8/1996 Summers et al. 439/350
D453,734 S * 2/2002 Shimoyama et al. D13/147
D455,125 S * 4/2002 Shimoyama et al. D13/147

D501,448 S * 2/2005 Ishikawa D13/147
D528,987 S * 9/2006 Peng D13/147
2004/0185690 A1 * 9/2004 Huang 439/74
2005/0009383 A1 * 1/2005 Okura et al. 439/74

* cited by examiner

Primary Examiner—Daniel Bui

(74) *Attorney, Agent, or Firm*—Sughrue Mion, PLLC.;
Pavel L. Pogodin, Esq.

(57) **CLAIM**

The ornamental design for an electric connector, as shown and described.

DESCRIPTION

FIG. 1 is a front, bottom and right side perspective view of an electric connector, showing our new design; FIG. 2 is a rear, top and left side perspective view thereof; FIG. 3 is a front elevation view thereof; FIG. 4 is a rear elevation view thereof; FIG. 5 is a right side elevation view thereof; FIG. 6 is a left side elevation view thereof; FIG. 7 is a top plan view thereof; and, FIG. 8 is a bottom plan view thereof.

The broken lines shown in the views are for illustrative purpose only and form no part of claimed design. The dash-dot lines indicate conceptual border lines between the claimed portions and the disclaimed portion.

1 Claim, 4 Drawing Sheets

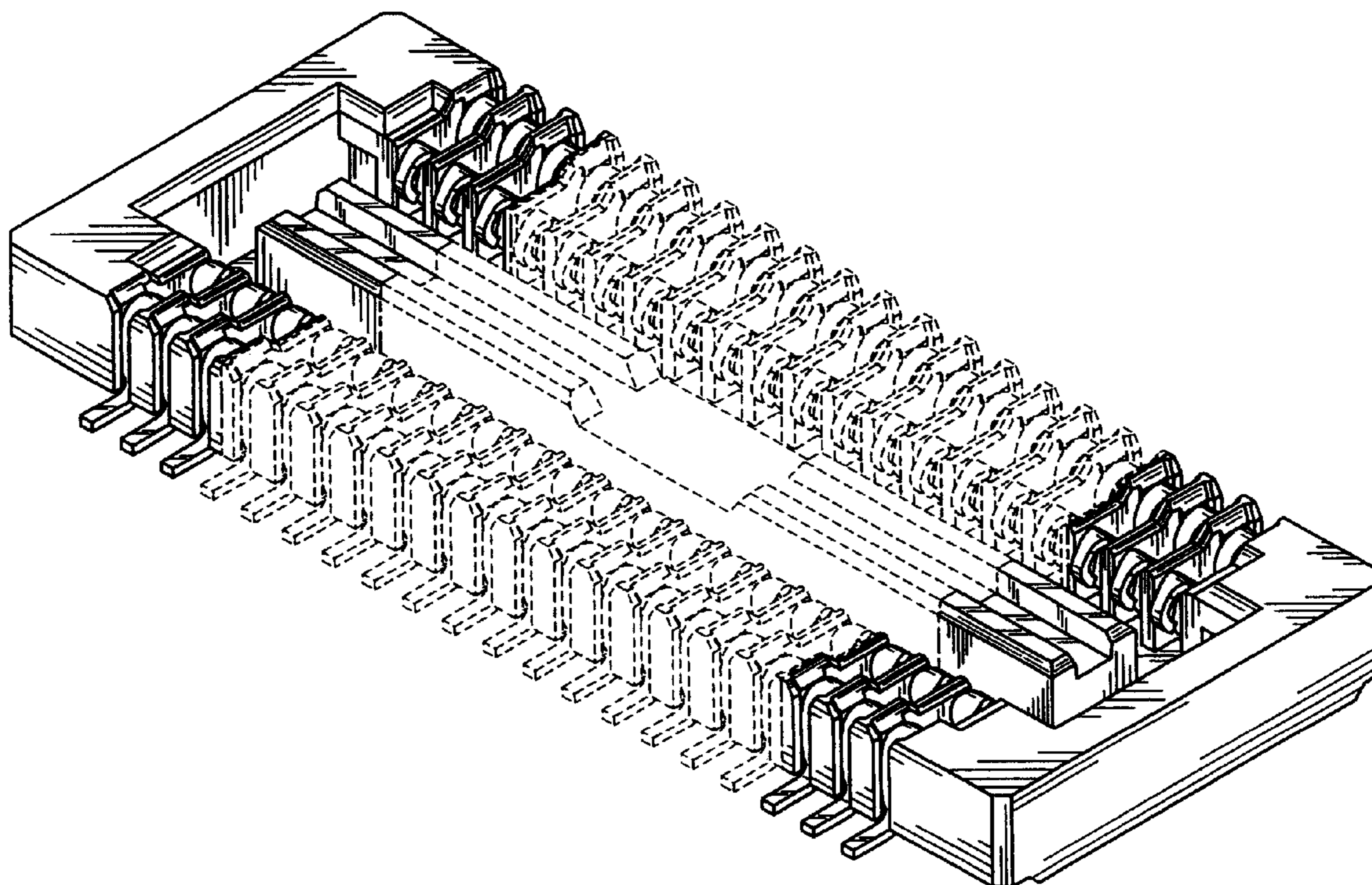


Fig.1

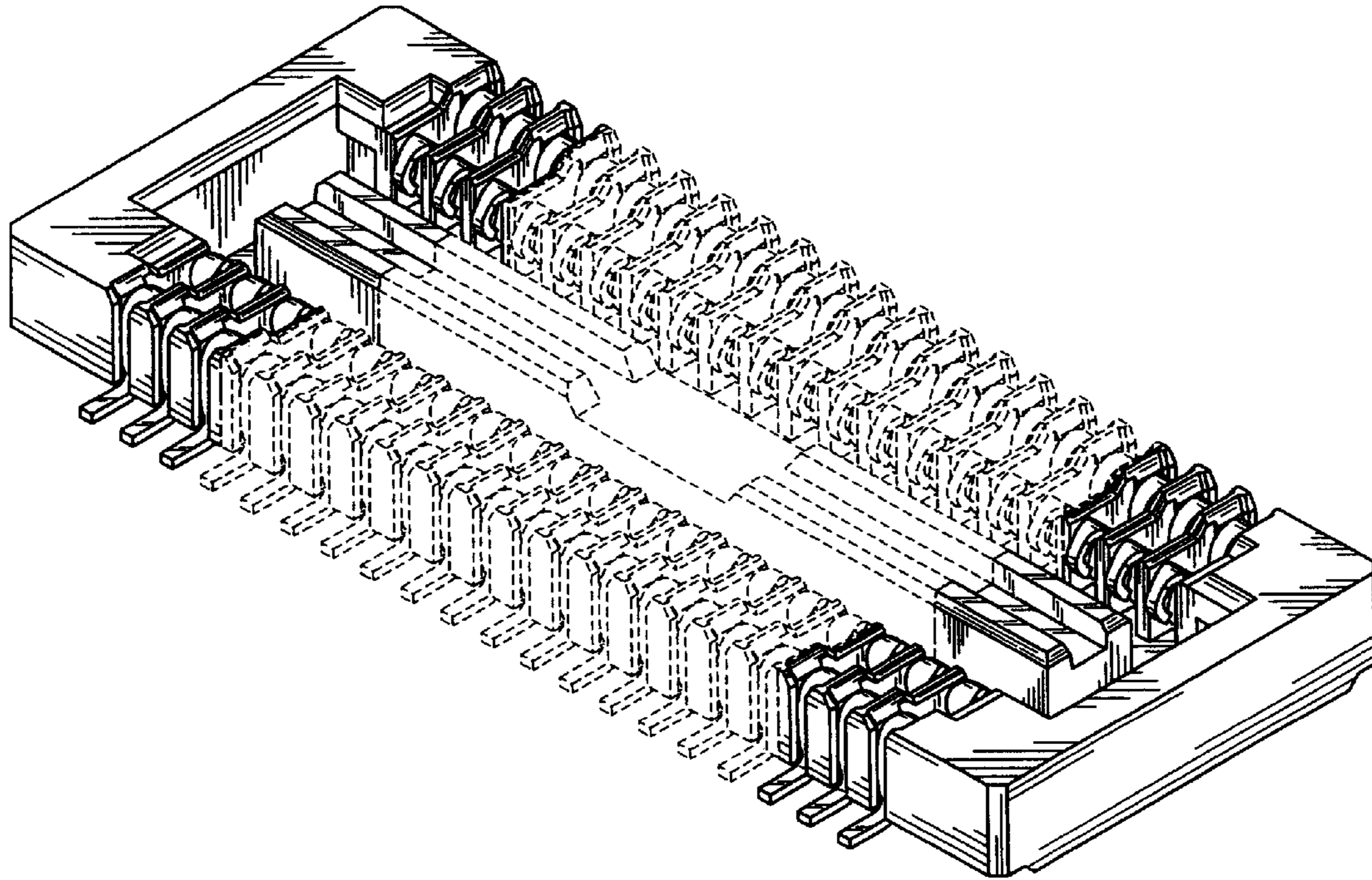


Fig.2

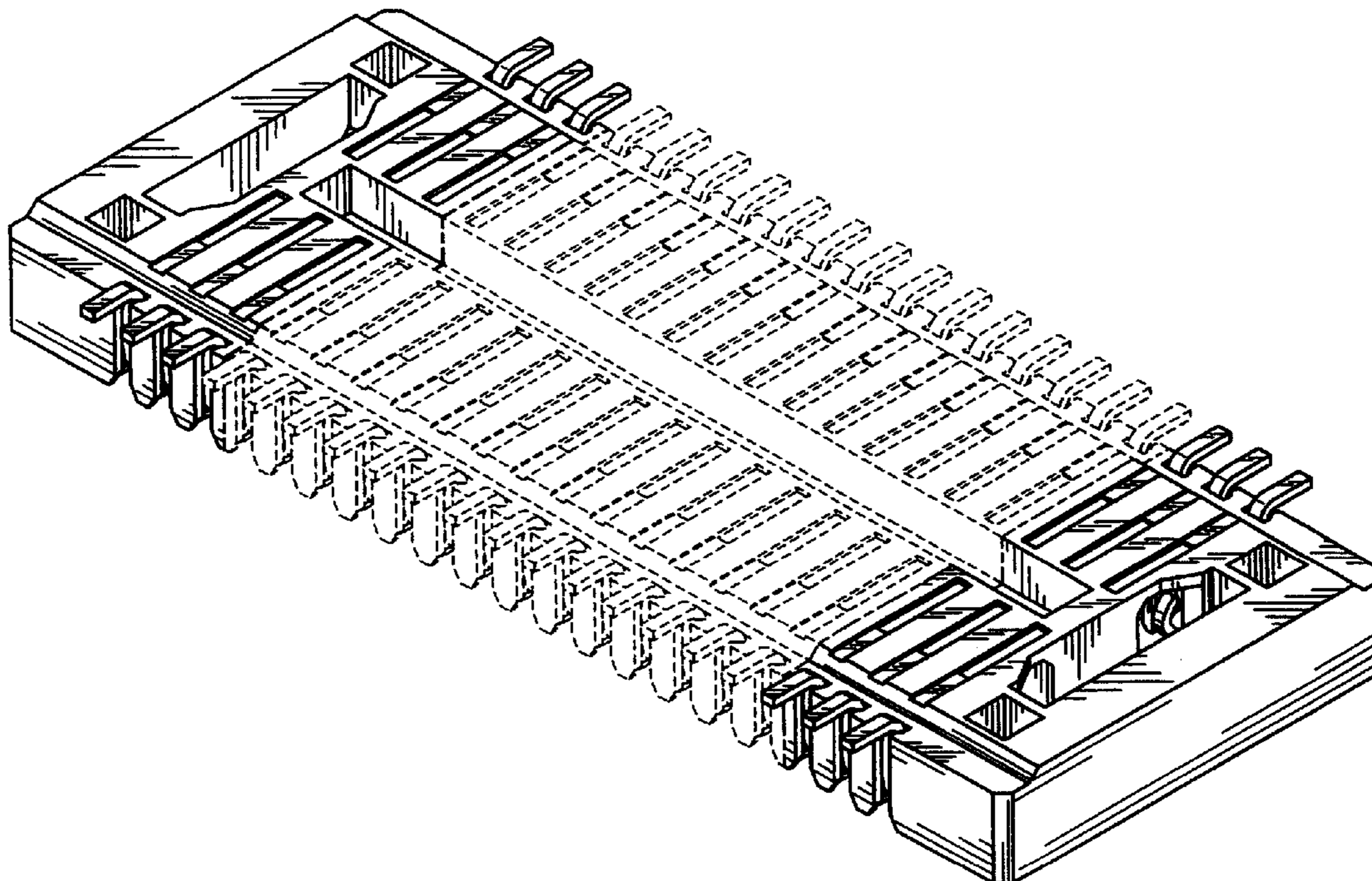


Fig.3

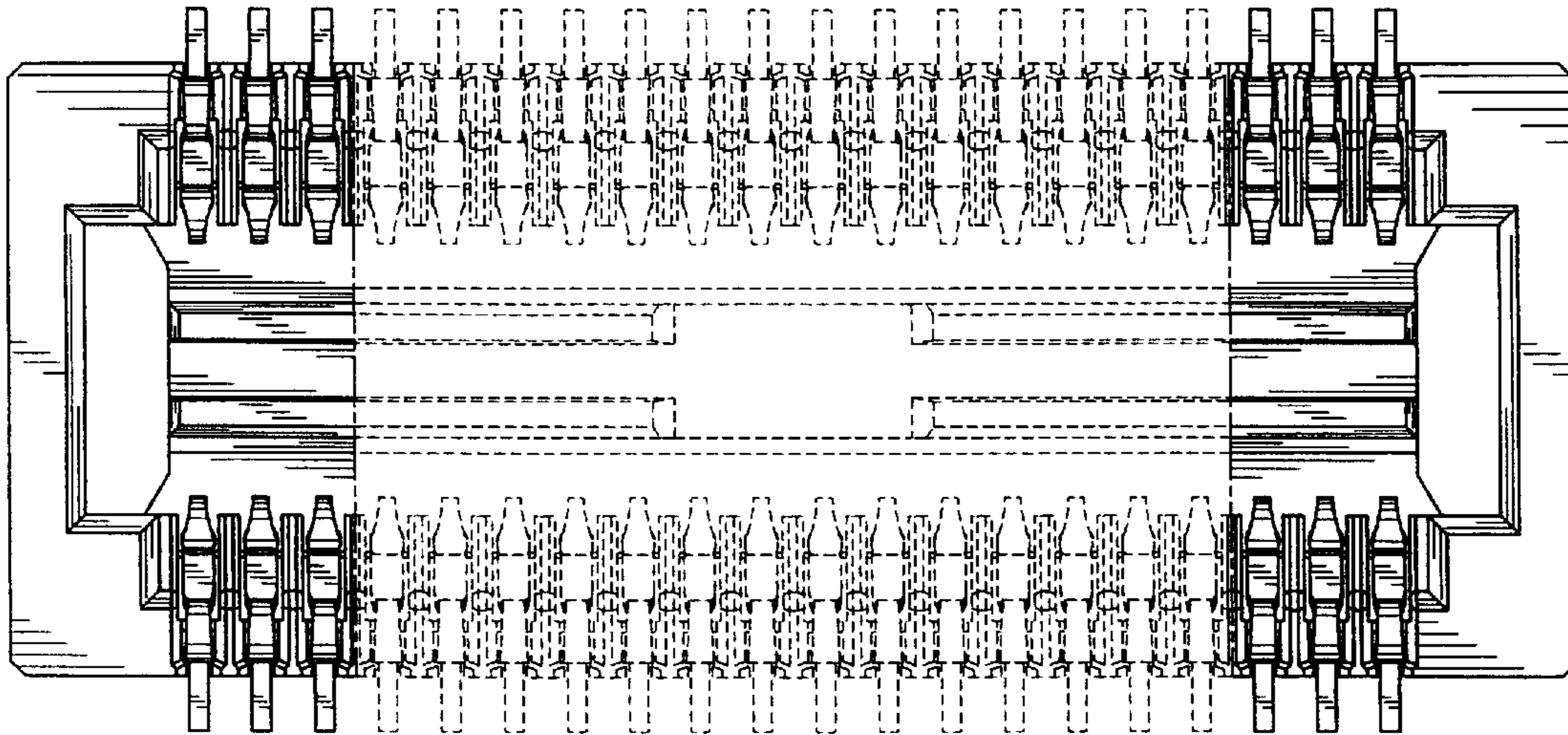


Fig.4

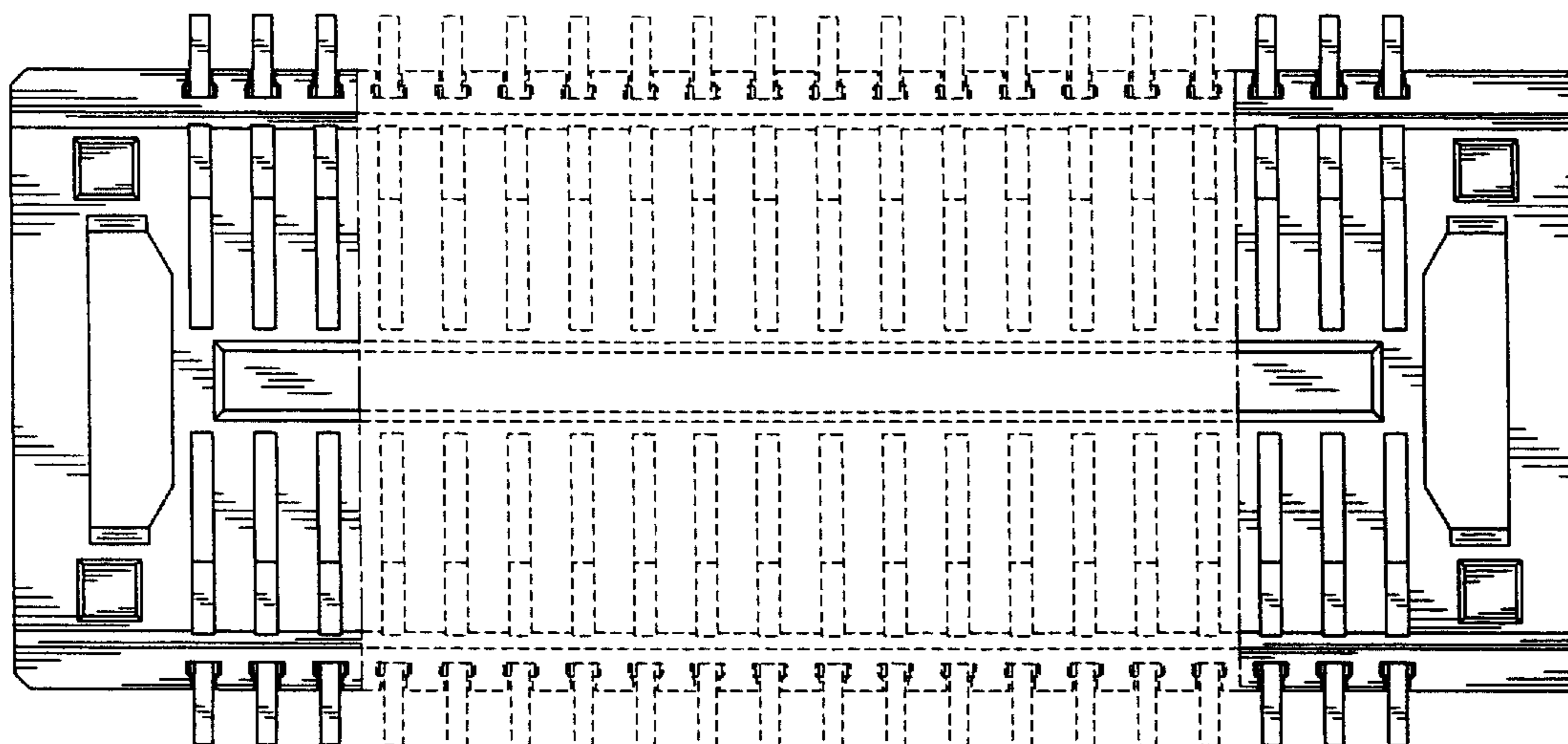


Fig.5



Fig.6



Fig.7

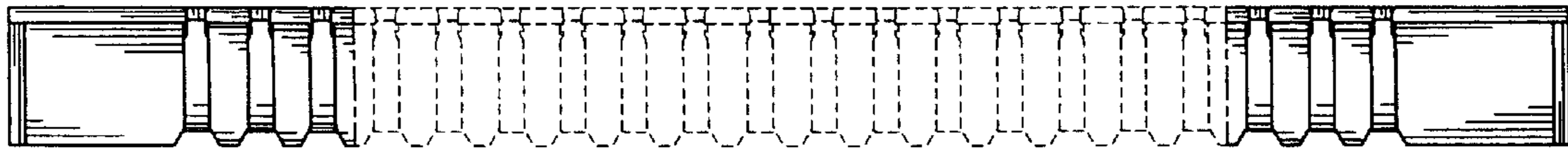


Fig.8

