



US00D539222S

(12) **United States Design Patent**
Nishio et al.

(10) **Patent No.:** **US D539,222 S**

(45) **Date of Patent:** **** Mar. 27, 2007**

(54) **CONNECTOR**

(75) Inventors: **Atsushi Nishio**, Tama (JP); **Takashi Kawasaki**, Tama (JP); **Masashi Ouchi**, Tama (JP); **Takahiro Shimoyama**, Tama (JP)

(73) Assignee: **Mitsumi Electric Co., Ltd.**, Tokyo (JP)

(**) Term: **14 Years**

(21) Appl. No.: **29/245,627**

(22) Filed: **Dec. 28, 2005**

(30) **Foreign Application Priority Data**

Aug. 12, 2005 (JP) 2005-023577

(51) **LOC (8) Cl.** **13-03**

(52) **U.S. Cl.** **D13/147**

(58) **Field of Classification Search** D13/123,
D13/133, 146-147, 154, 184, 199; 439/79,
439/108, 278, 374, 377, 660, 607-610, 680,
439/682, 883, 891, 894

See application file for complete search history.

(56) **References Cited**

U.S. PATENT DOCUMENTS

D433,665 S * 11/2000 Huang D13/147
D462,326 S * 9/2002 Okamoto D13/147

D478,050 S * 8/2003 Nishio et al. D13/147
D480,686 S * 10/2003 Takahashi D13/147
D481,681 S * 11/2003 Takahashi D13/147
D482,002 S * 11/2003 Suzuki et al. D13/147
D509,799 S * 9/2005 Tsai D13/147
D523,400 S * 6/2006 Shang-Yen et al. D13/147
D523,813 S * 6/2006 He et al. D13/147

OTHER PUBLICATIONS

U.S. Appl. No. 29/245,630, filed Dec. 28, 2005, Atsushi Nishio, et al.

* cited by examiner

Primary Examiner—Daniel Bui

(74) *Attorney, Agent, or Firm*—Sughrue Mion, PLLC

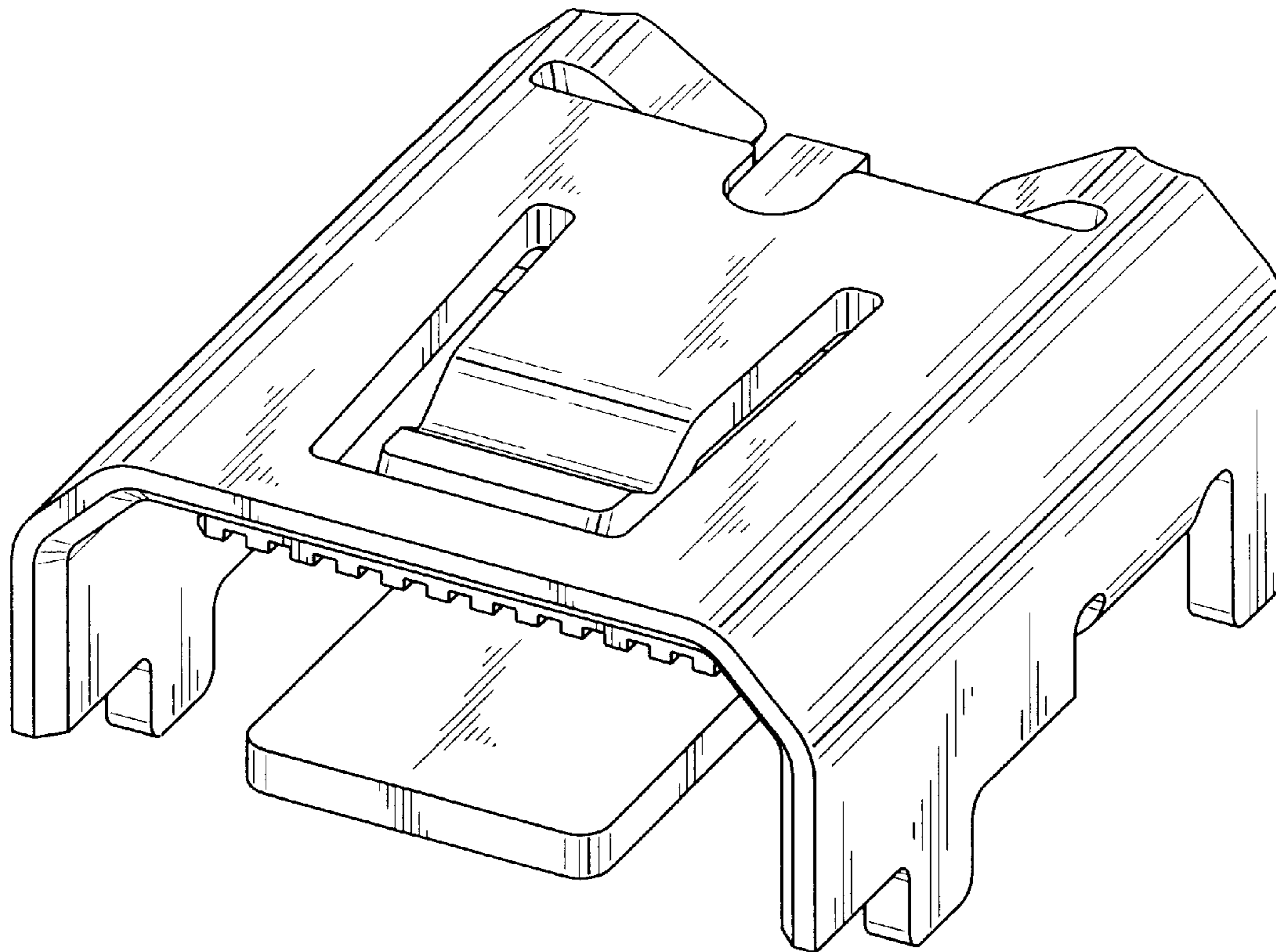
(57) **CLAIM**

The ornamental design for a connector, as shown.

DESCRIPTION

FIG. 1 is a perspective view of the top, front and right side of a connector showing our new design; FIG. 2 is a front elevational view thereof; FIG. 3 is a rear elevational view thereof; FIG. 4 is a top plan view thereof; FIG. 5 is a right side elevational view thereof; FIG. 6 is a left side elevational view thereof; and, FIG. 7 is a bottom plan view thereof.

1 Claim, 3 Drawing Sheets



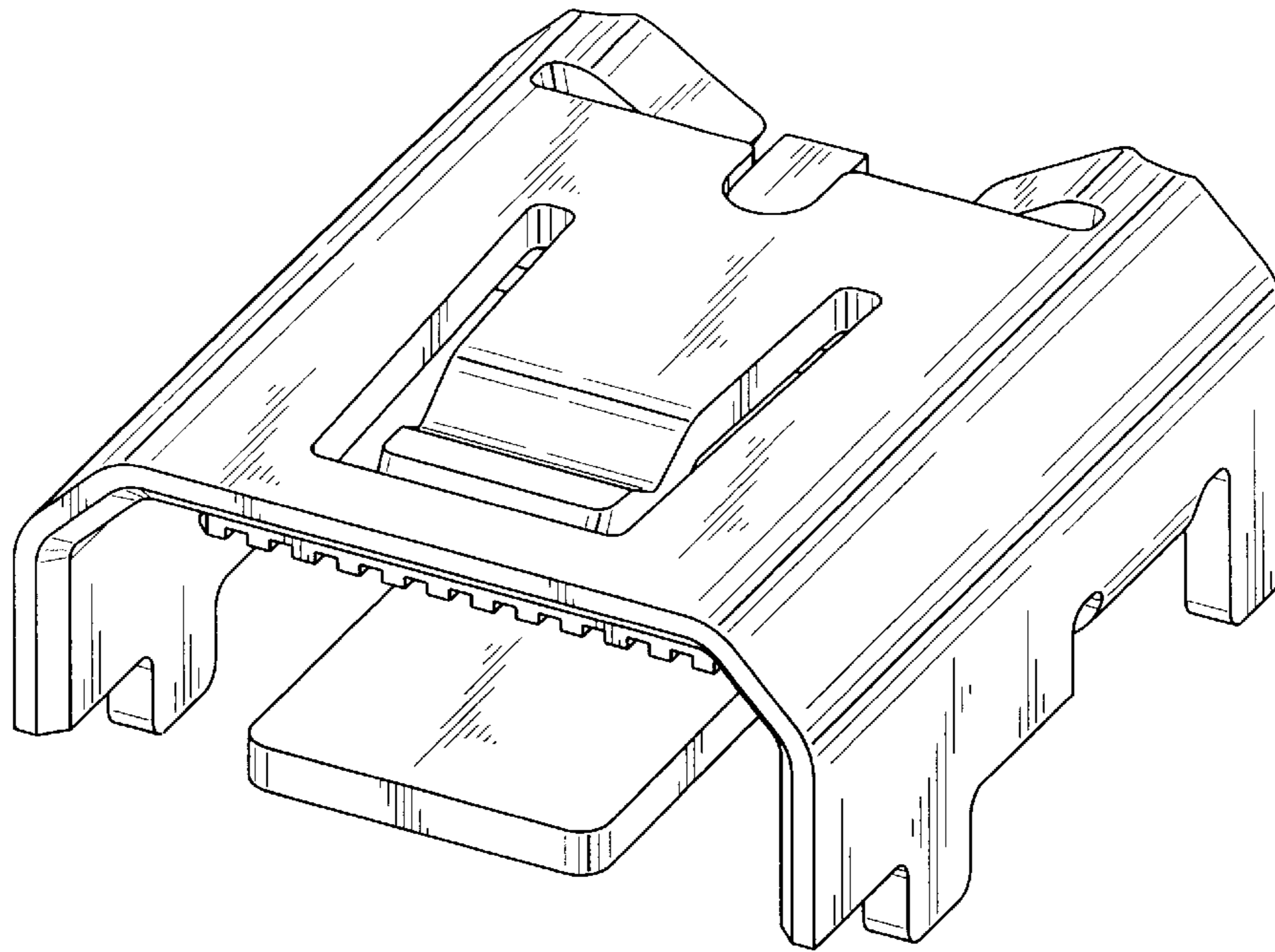


FIG. 1

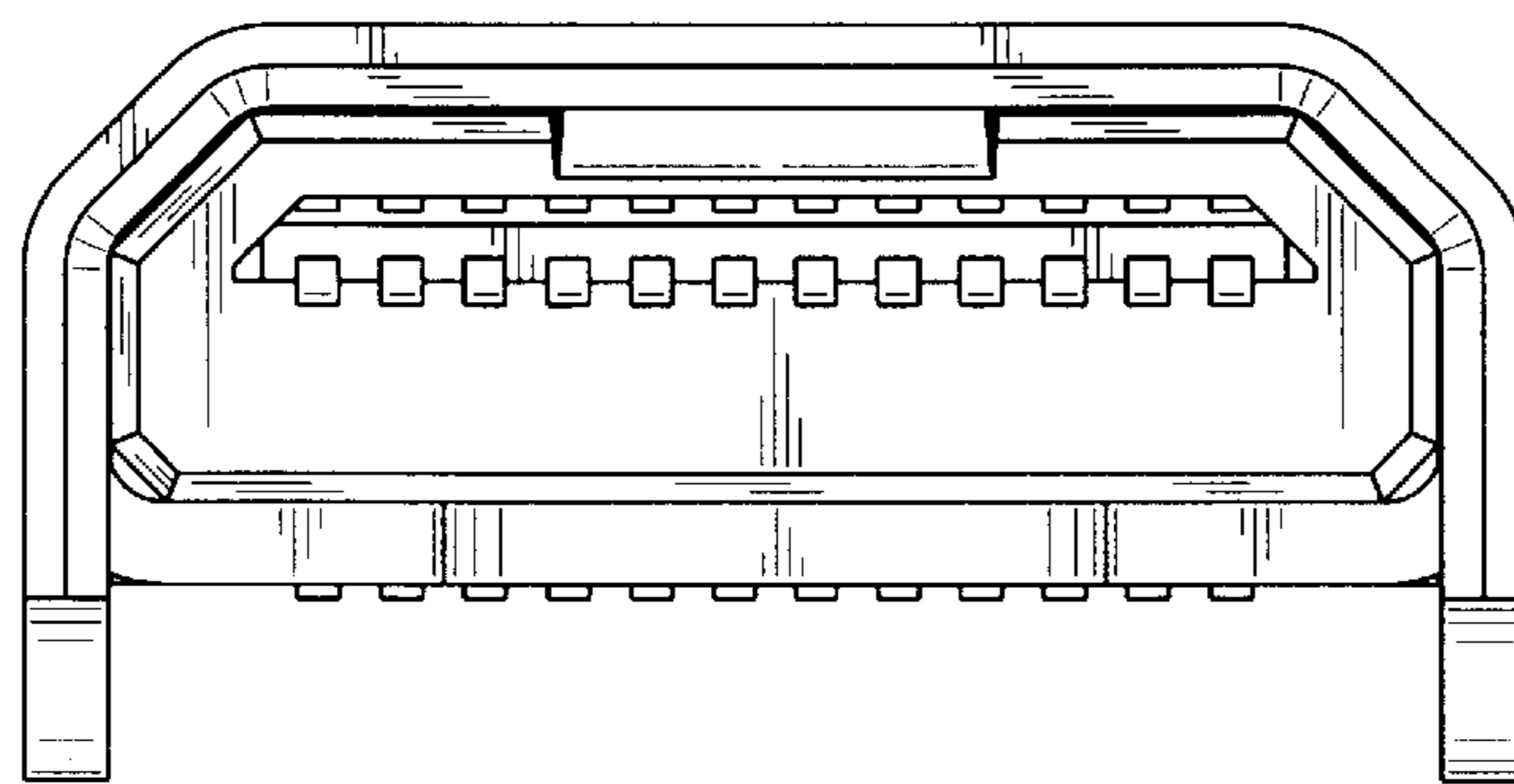


FIG. 2

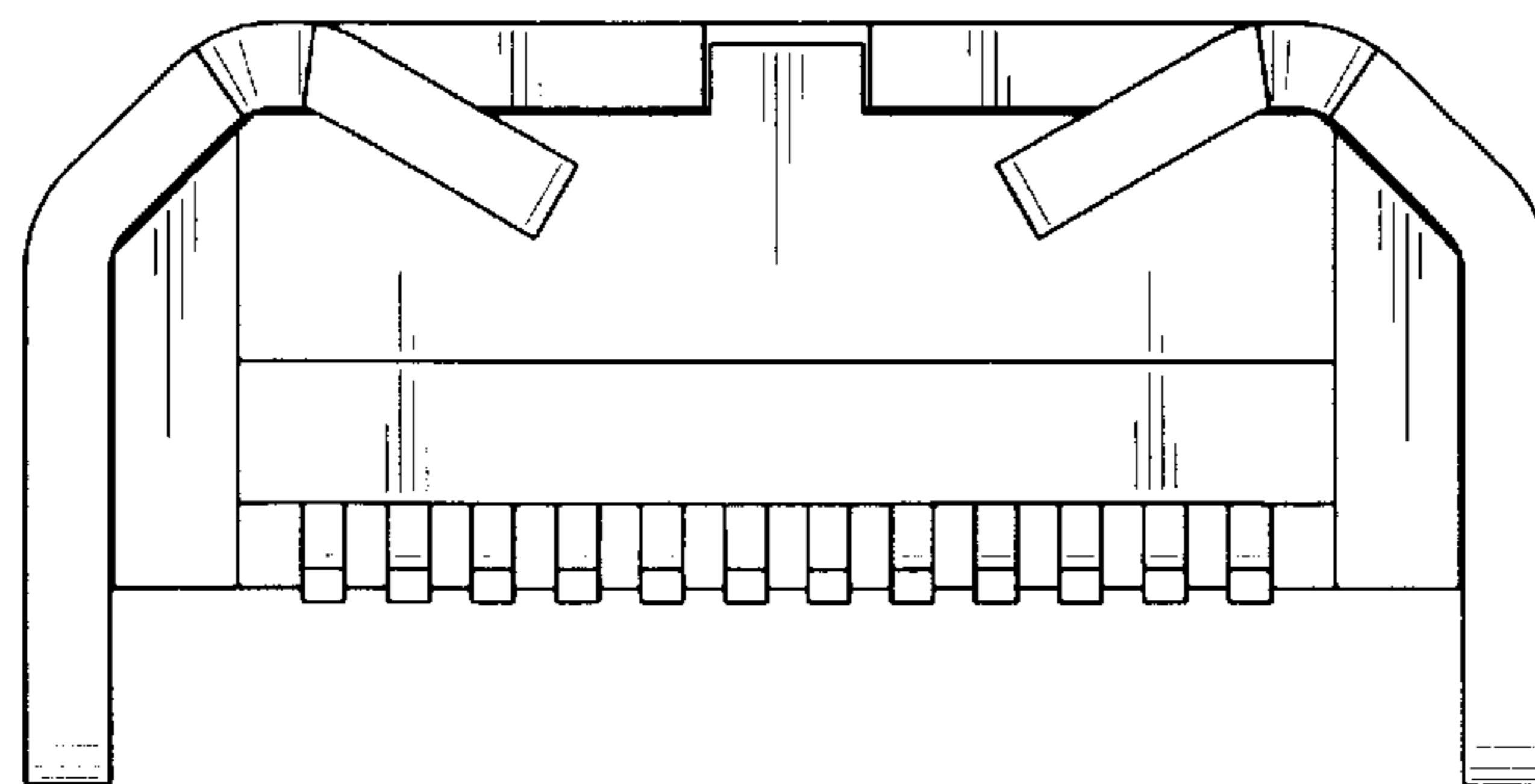


FIG. 3

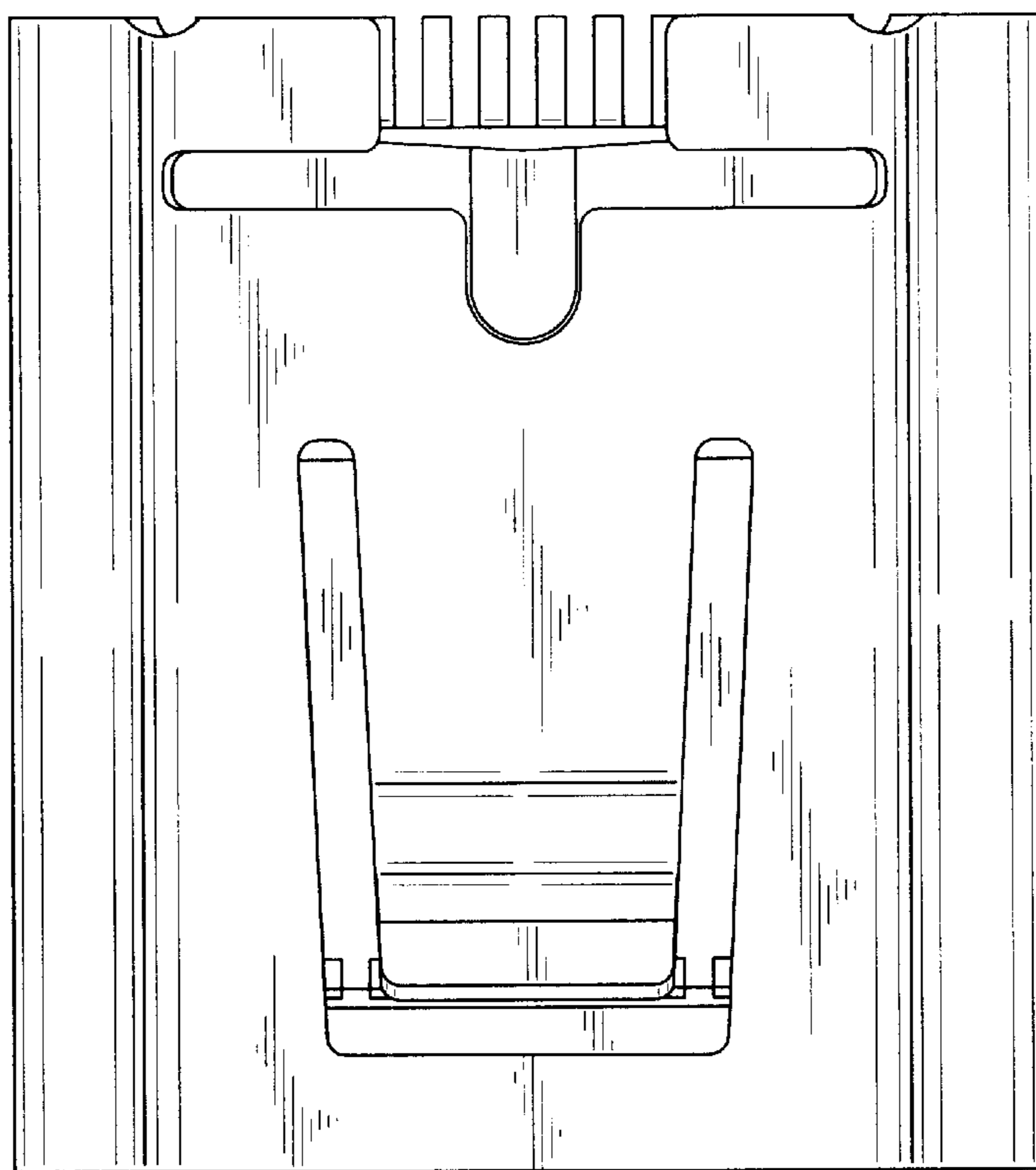


FIG. 4

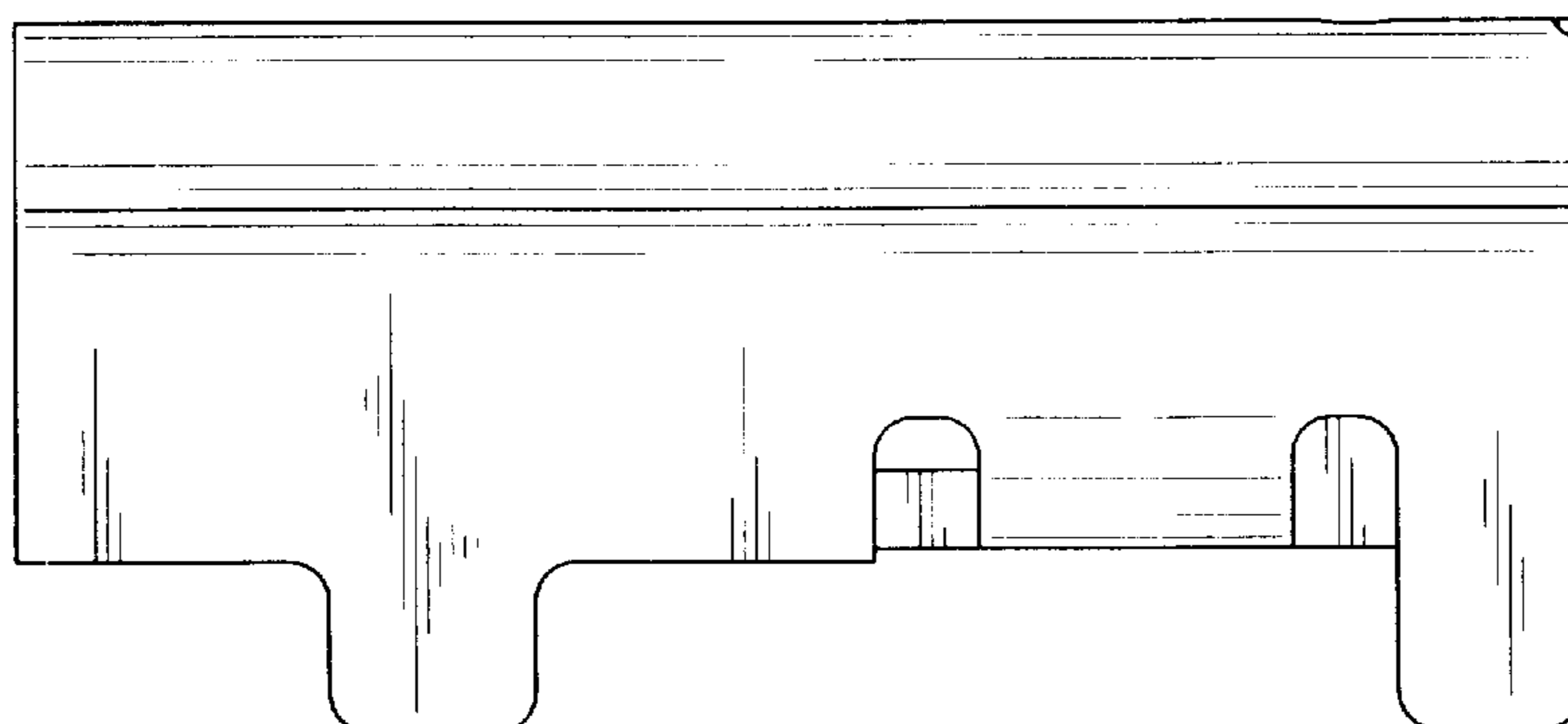


FIG. 5

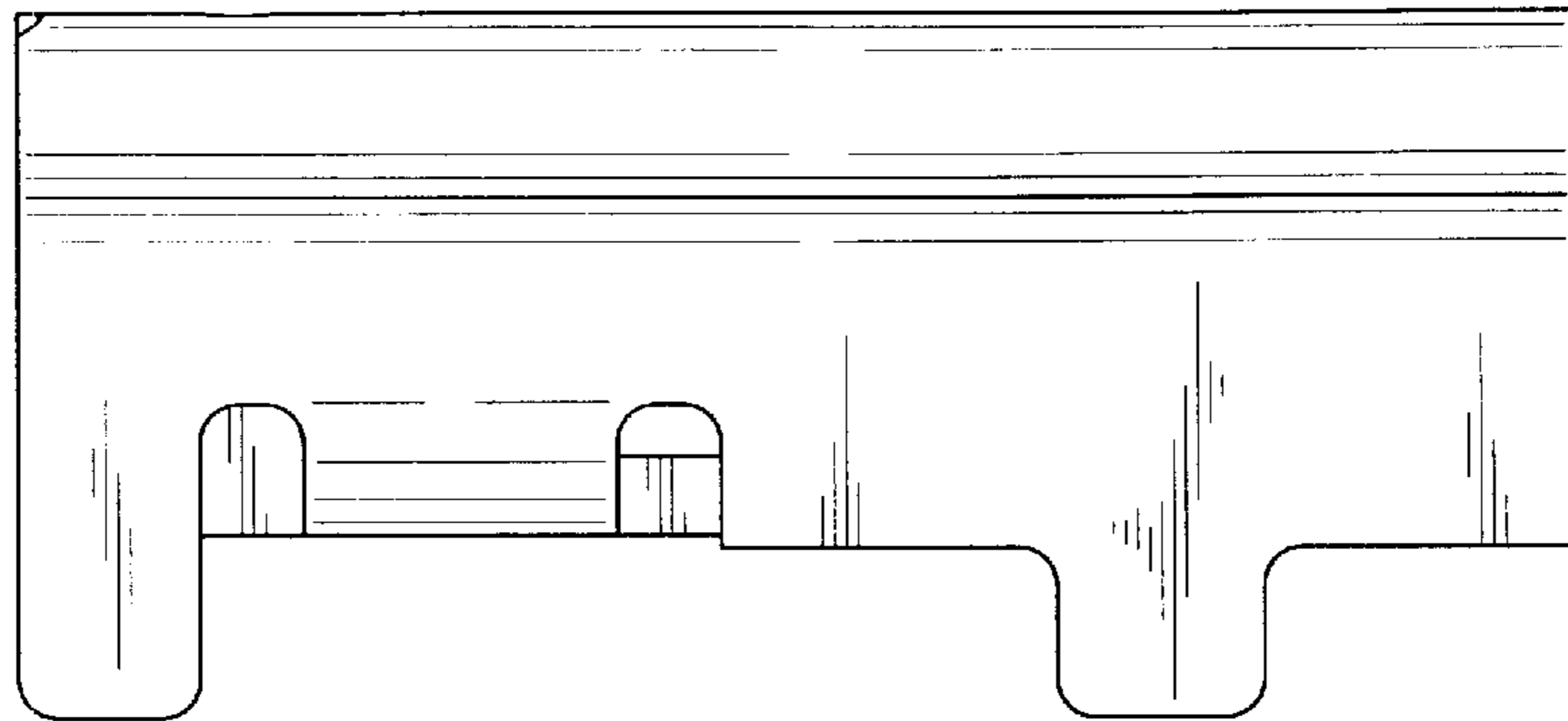


FIG. 6

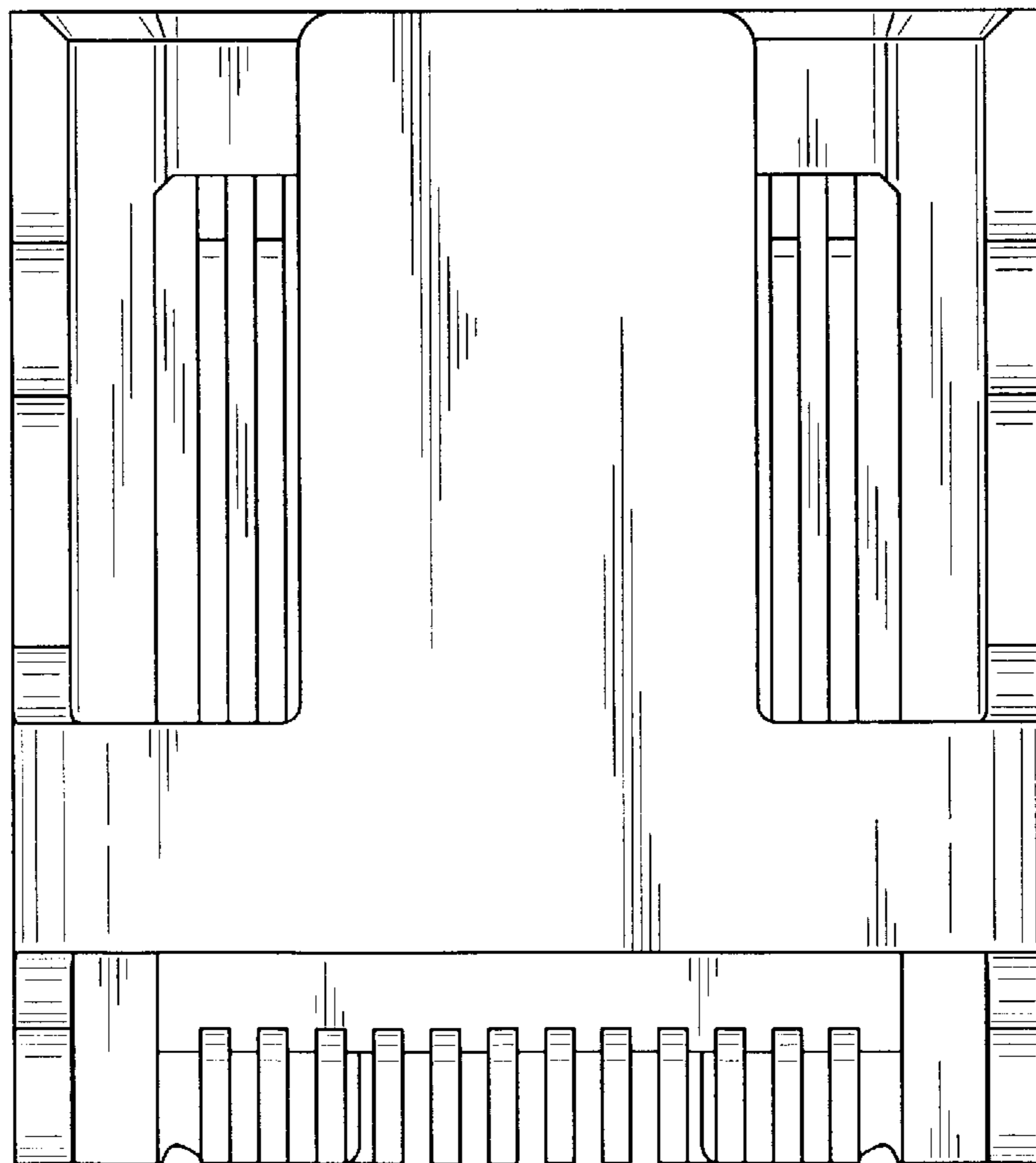


FIG. 7