



US00D539220S

(12) **United States Design Patent**  
**Iwakura**

(10) **Patent No.:** **US D539,220 S**

(45) **Date of Patent:** **\*\* Mar. 27, 2007**

(54) **FERRITE MAGNETIC CORE**

(75) Inventor: **Masaaki Iwakura**, Tokyo (JP)

(73) Assignee: **TDK Corporation**, Tokyo (JP)

(\*\*) Term: **14 Years**

(21) Appl. No.: **29/237,523**

(22) Filed: **Sep. 2, 2005**

(30) **Foreign Application Priority Data**

Mar. 7, 2005 (JP) ..... 2005-006553

(51) **LOC (8) Cl.** ..... **13-02**

(52) **U.S. Cl.** ..... **D13/118; D13/117**

(58) **Field of Classification Search** ..... D13/118,  
D13/4, 101, 183, 199; 29/606, 607; 336/83,  
336/133, 210, 213, 214, 218, 233; 335/297  
See application file for complete search history.

(56) **References Cited**

**U.S. PATENT DOCUMENTS**

3,898,601 A \* 8/1975 Meindl ..... 336/136  
D264,959 S \* 6/1982 Ota et al. .... D13/118  
4,352,080 A \* 9/1982 Mitsui et al. .... 336/83  
4,424,504 A \* 1/1984 Mitsui et al. .... 336/83  
D280,810 S \* 10/1985 Mitsui ..... D13/118  
5,175,525 A \* 12/1992 Smith ..... 336/83

D384,333 S \* 9/1997 Suzuki ..... D13/183  
D463,365 S \* 9/2002 Sakai et al. .... D13/118  
6,696,913 B2 \* 2/2004 Meuche et al. .... 336/208

**FOREIGN PATENT DOCUMENTS**

JP 3-53462 11/1991  
JP 5-87918 11/1993

\* cited by examiner

*Primary Examiner*—Prabhakar Deshmukh

*Assistant Examiner*—Derrick Holland

(74) *Attorney, Agent, or Firm*—Westerman, Hattori,  
Daniels & Adrian, LLP.

(57) **CLAIM**

The ornamental design for a ferrite magnetic core, as shown  
and described.

**DESCRIPTION**

FIG. 1 is a front elevation view of a ferrite magnetic core,  
showing my new design;

FIG. 2 is a rear elevation view thereof;

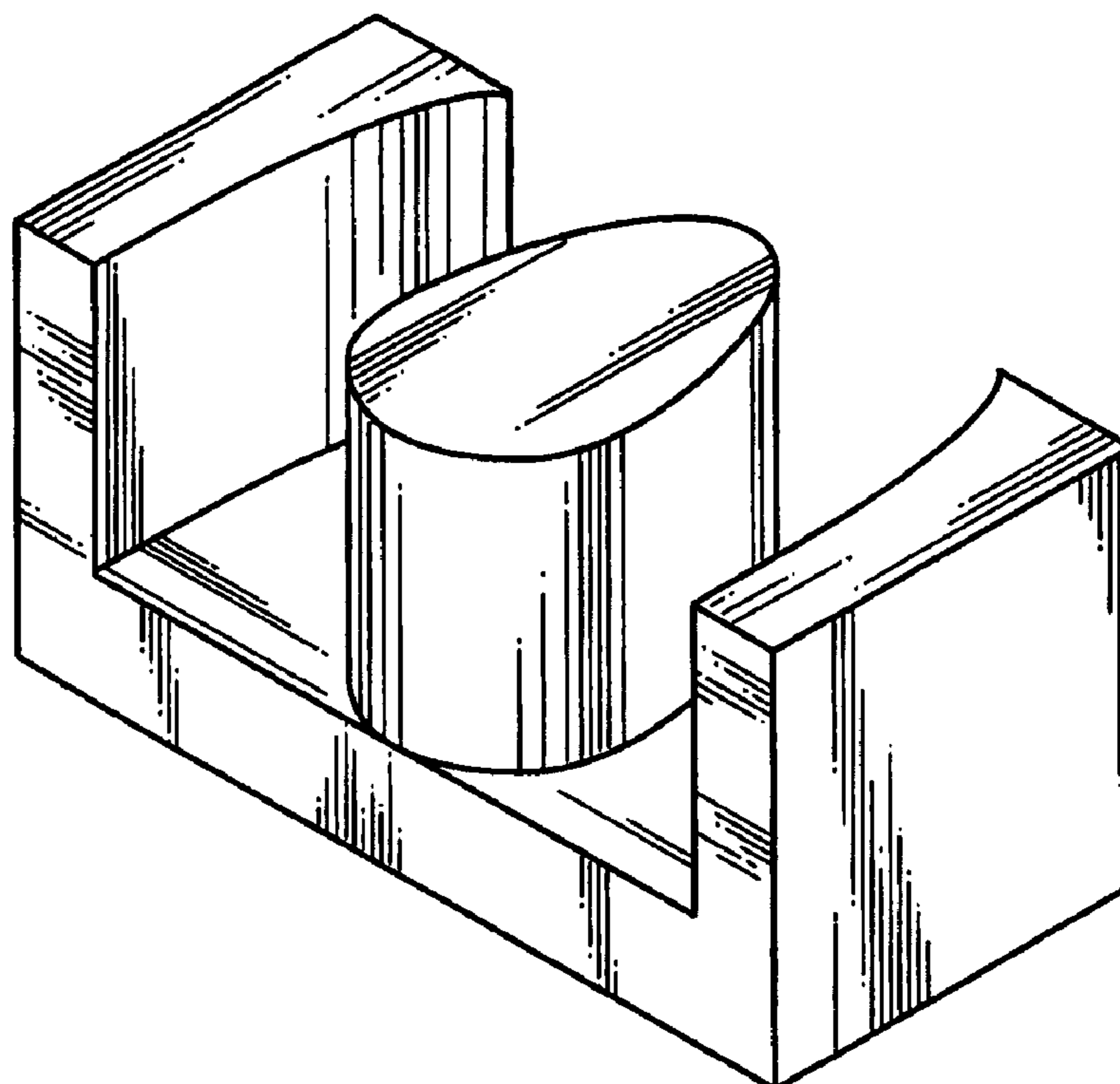
FIG. 3 is a top plan view thereof;

FIG. 4 is a bottom plan view thereof;

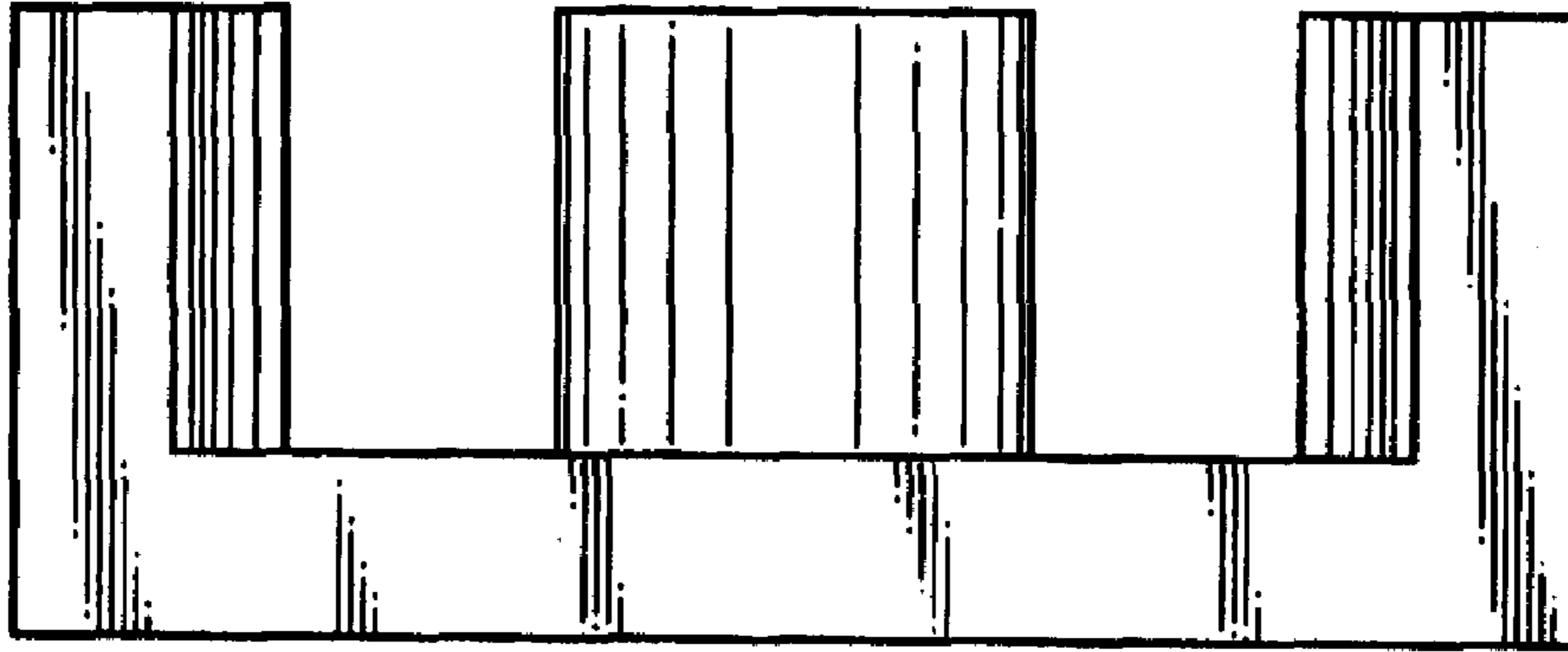
FIG. 5 is a left side elevation view thereof, the right side  
elevation view is a mirror image of the left side elevation  
view; and,

FIG. 6 is a perspective view thereof.

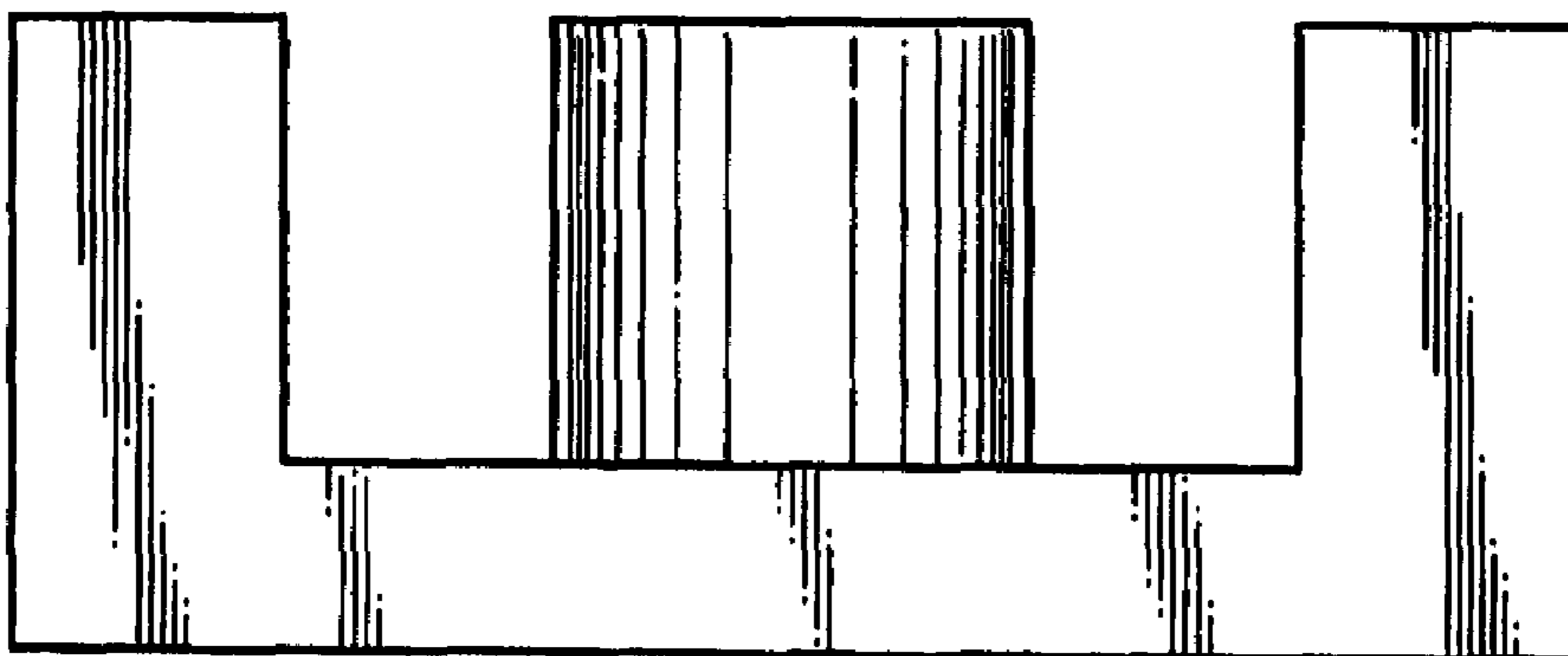
**1 Claim, 3 Drawing Sheets**



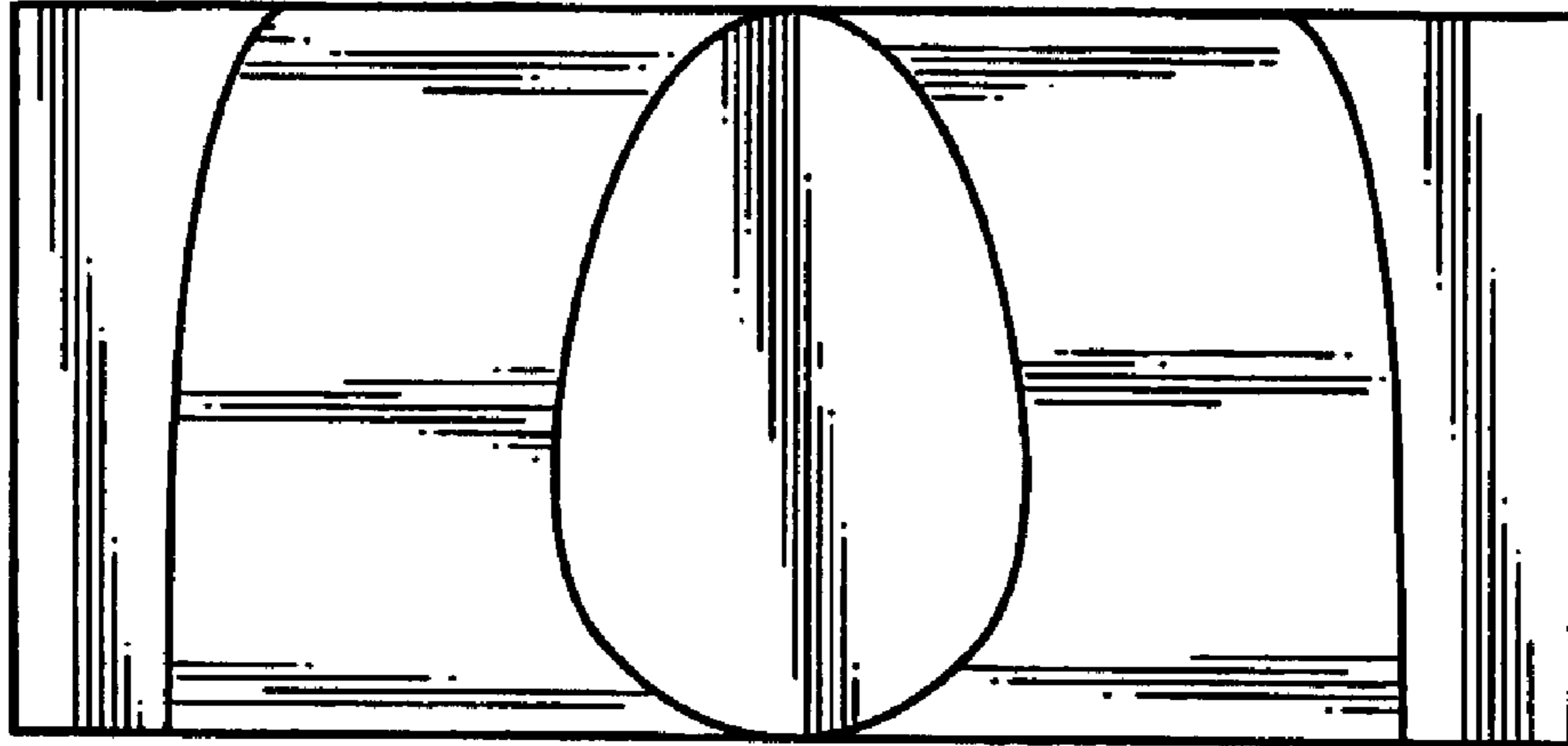
*Fig.1*



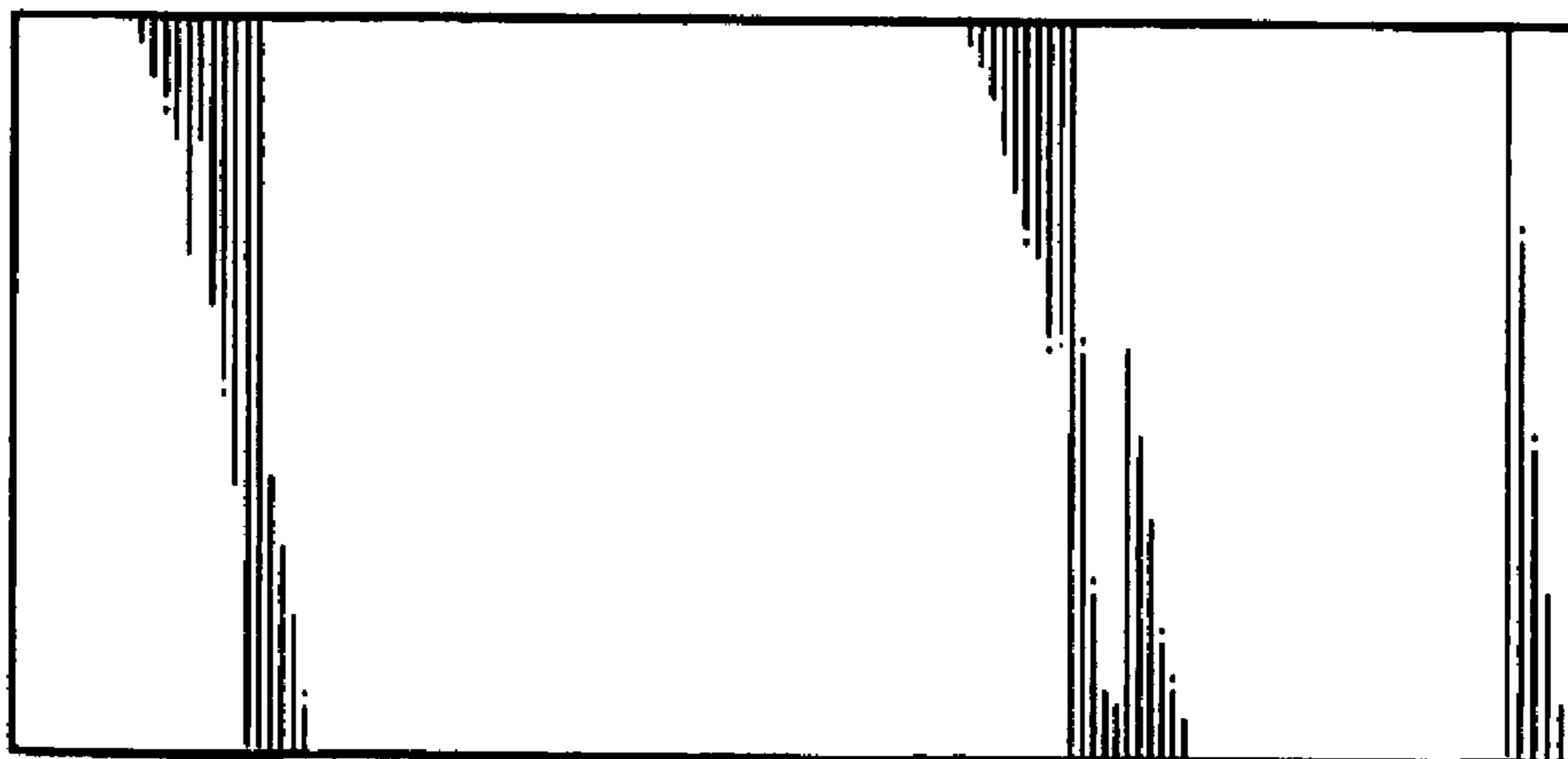
*Fig.2*



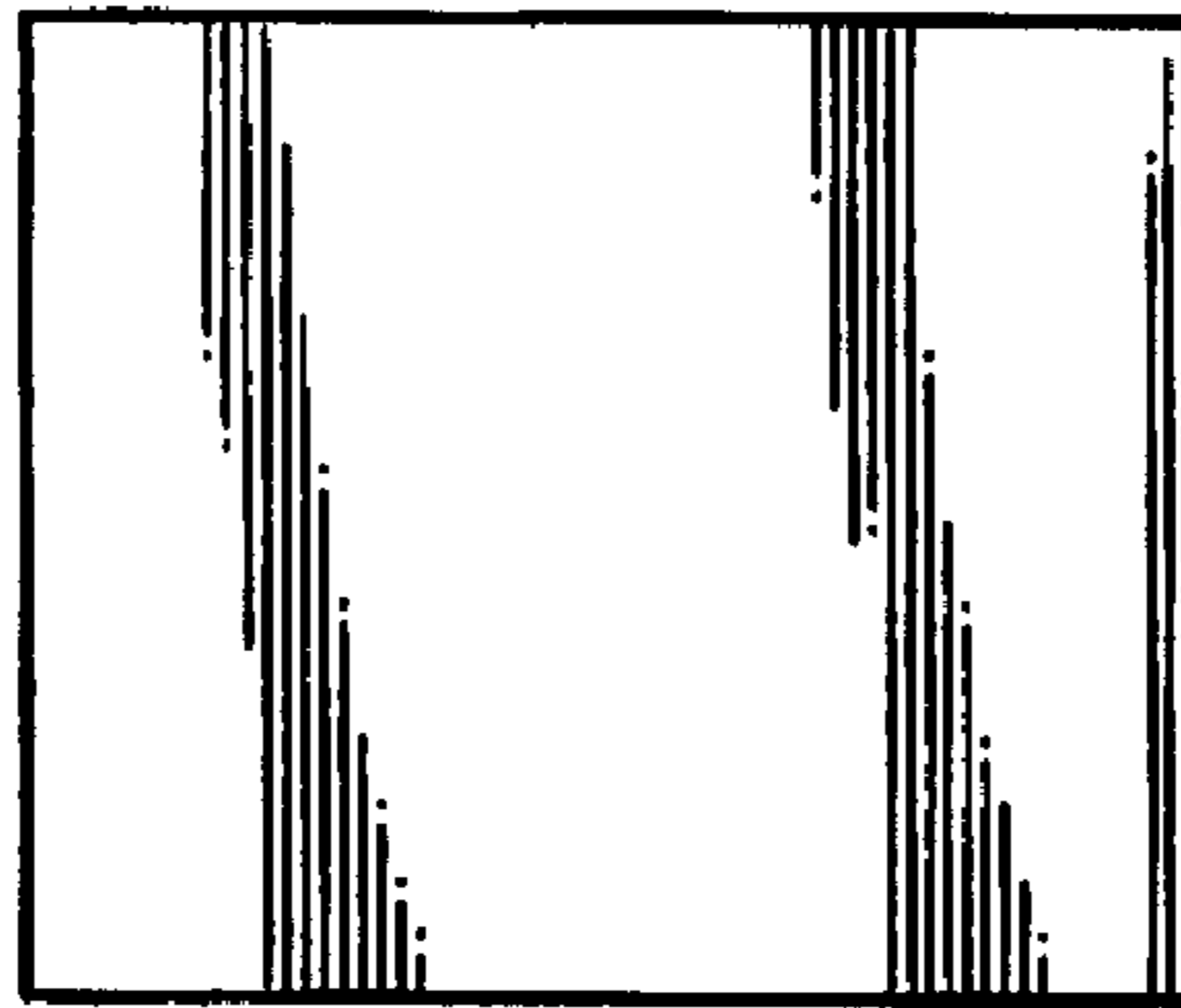
*Fig.3*



*Fig.4*



*Fig.5*



*Fig.6*

