



US00D539218S

(12) **United States Design Patent**  
**Gaber et al.**

(10) **Patent No.:** **US D539,218 S**

(45) **Date of Patent:** **\*\* Mar. 27, 2007**

(54) **CHARGER**

(75) Inventors: **Benny Gaber**, Haifa (IL); **Nir Weinstein**, Bat-Hefer (IL)

(73) Assignee: **Eveready Battery Company, Inc.**, St. Louis, MO (US)

(\*\*) Term: **14 Years**

(21) Appl. No.: **29/249,112**

(22) Filed: **Sep. 21, 2006**

**Related U.S. Application Data**

(63) Continuation of application No. 29/225,820, filed on Mar. 21, 2005.

(51) **LOC (8) Cl.** ..... **13-02**

(52) **U.S. Cl.** ..... **D13/108**

(58) **Field of Classification Search** ..... D13/103,  
D13/107-110, 118-119, 184; D14/251, 253,  
D14/432, 434; 320/107-115; 429/96, 163  
See application file for complete search history.

(56) **References Cited**

U.S. PATENT DOCUMENTS

|               |         |                 |         |
|---------------|---------|-----------------|---------|
| D207,586 S    | 5/1967  | Rakocy          |         |
| 4,644,244 A * | 2/1987  | Kittelson       | 320/100 |
| D291,798 S    | 9/1987  | Curiel          |         |
| 5,172,042 A * | 12/1992 | Singhal         | 320/110 |
| D361,980 S *  | 9/1995  | Chen            | D13/119 |
| D376,579 S    | 12/1996 | Bunyea et al.   |         |
| D388,051 S    | 12/1997 | Harada et al.   |         |
| D392,249 S    | 3/1998  | Nakazawa et al. |         |
| D401,901 S *  | 12/1998 | Bunyea et al.   | D13/119 |
| D413,565 S    | 9/1999  | Nakayama        |         |
| D413,858 S    | 9/1999  | Murakami et al. |         |
| D418,811 S    | 1/2000  | Bunyea et al.   |         |
| D427,140 S *  | 6/2000  | Luh et al.      | D13/103 |

|                   |         |                |         |
|-------------------|---------|----------------|---------|
| D427,142 S *      | 6/2000  | Luh et al.     | D13/103 |
| D428,385 S *      | 7/2000  | Luh et al.     | D13/103 |
| D457,131 S        | 5/2002  | Kitoh et al.   |         |
| D459,297 S        | 6/2002  | Searle         |         |
| 6,423,438 B1      | 7/2002  | Payne et al.   |         |
| D465,451 S        | 11/2002 | Hirano et al.  |         |
| D479,705 S *      | 9/2003  | Hirokawa       | D13/103 |
| D481,993 S        | 11/2003 | Searle         |         |
| 6,765,364 B2 *    | 7/2004  | Fang           | 320/110 |
| 6,936,375 B2 *    | 8/2005  | Imamura et al. | 429/96  |
| 2003/0234632 A1 * | 12/2003 | Fang           | 320/110 |

\* cited by examiner

*Primary Examiner*—Alan P. Douglas

*Assistant Examiner*—Rosemary K. Tarcza

(74) *Attorney, Agent, or Firm*—Michael C. Pophal

(57) **CLAIM**

We claim the ornamental design for charger, as shown and described.

**DESCRIPTION**

FIG. 1 is a front perspective view from the left top of the charger of the present invention;

FIG. 2 is a rear perspective view from the right top of the charger of the present invention;

FIG. 3 is a top view of the charger of the present invention;

FIG. 4 is a side view, with the other side being a mirror image thereof, of the charger of the present invention;

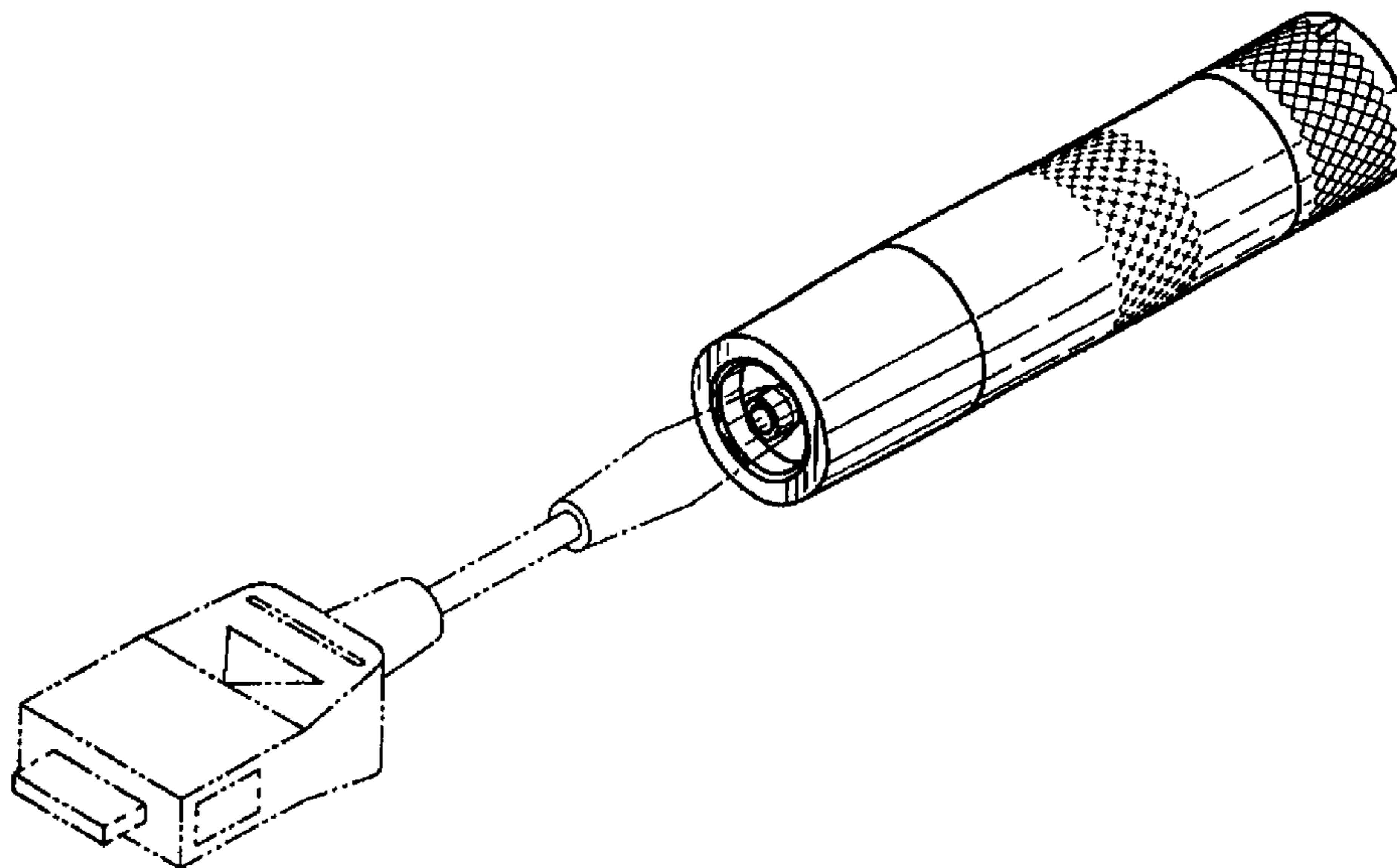
FIG. 5 is a bottom view of the charger of the present invention;

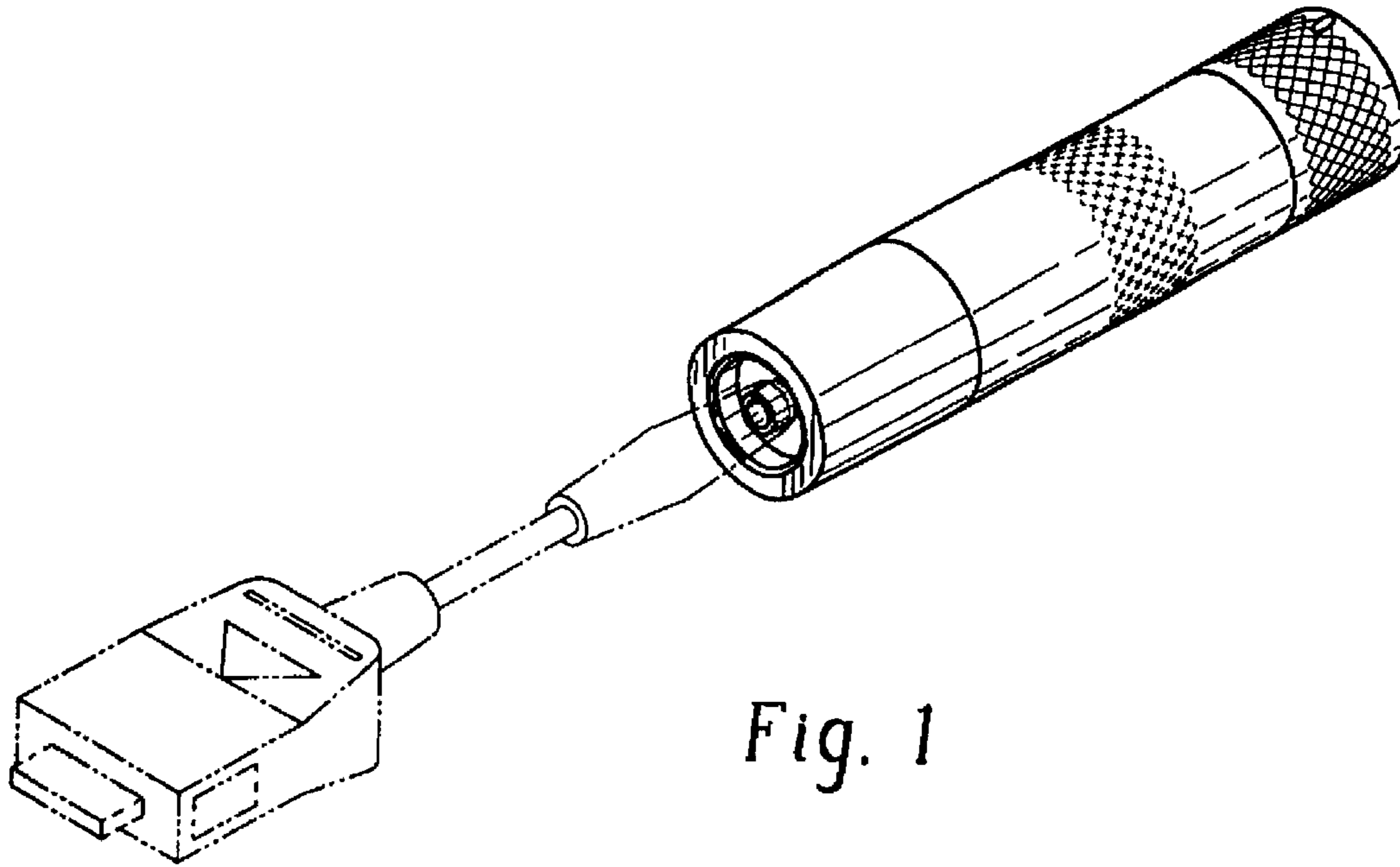
FIG. 6 is a front view of the charger of the present invention; and,

FIG. 7 is the rear view of the charger of the present invention.

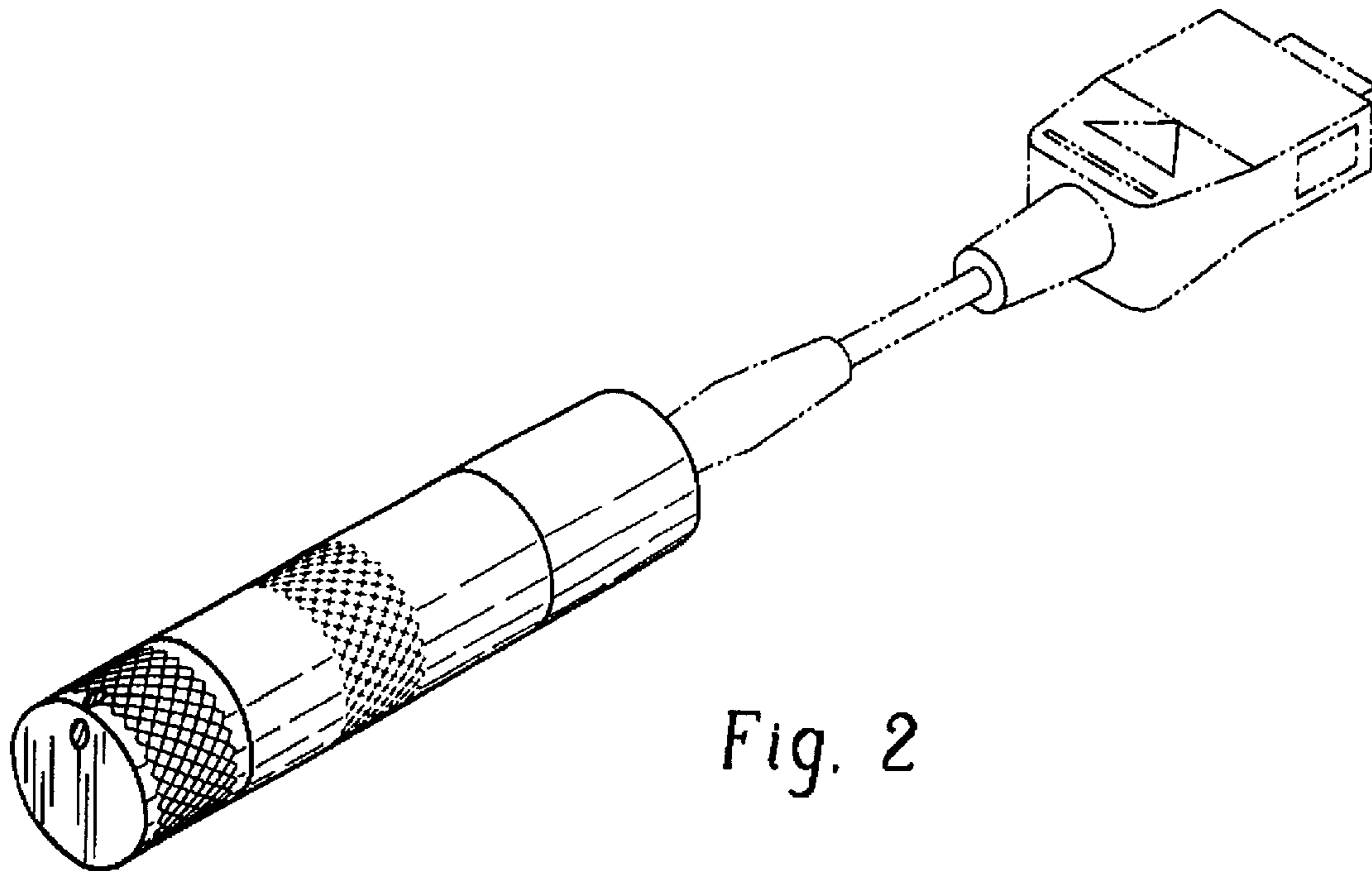
The broken line showing is for illustrative purposes only and forms no part of the claimed design.

**1 Claim, 3 Drawing Sheets**





*Fig. 1*



*Fig. 2*

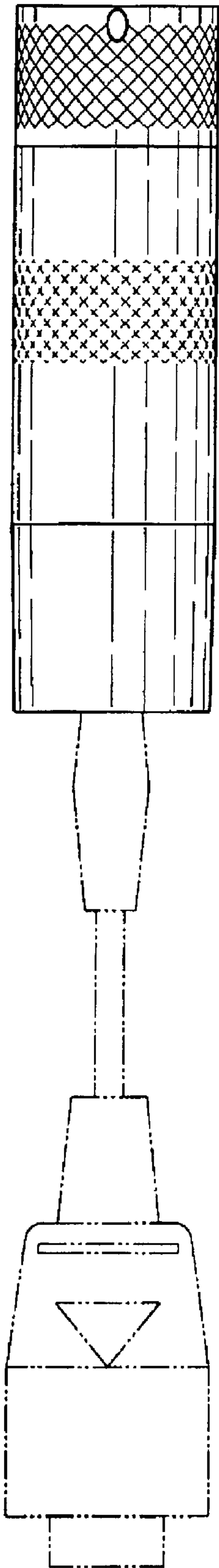


Fig. 3

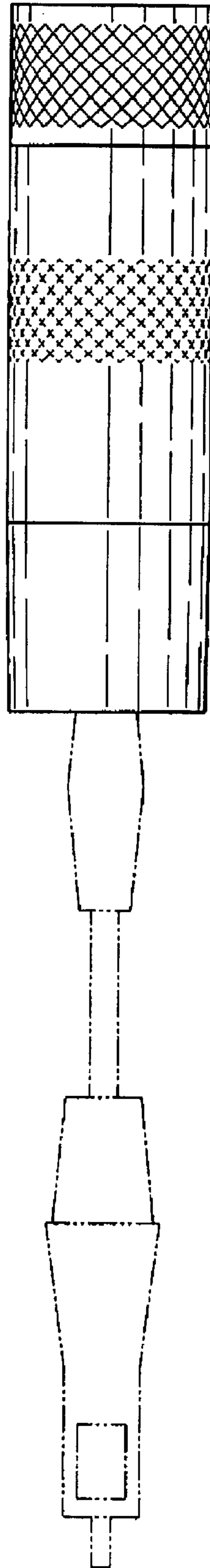


Fig. 4

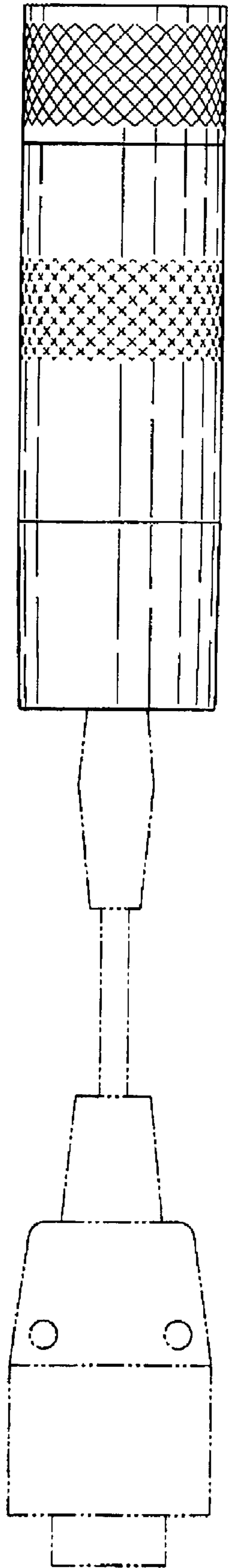


Fig. 5

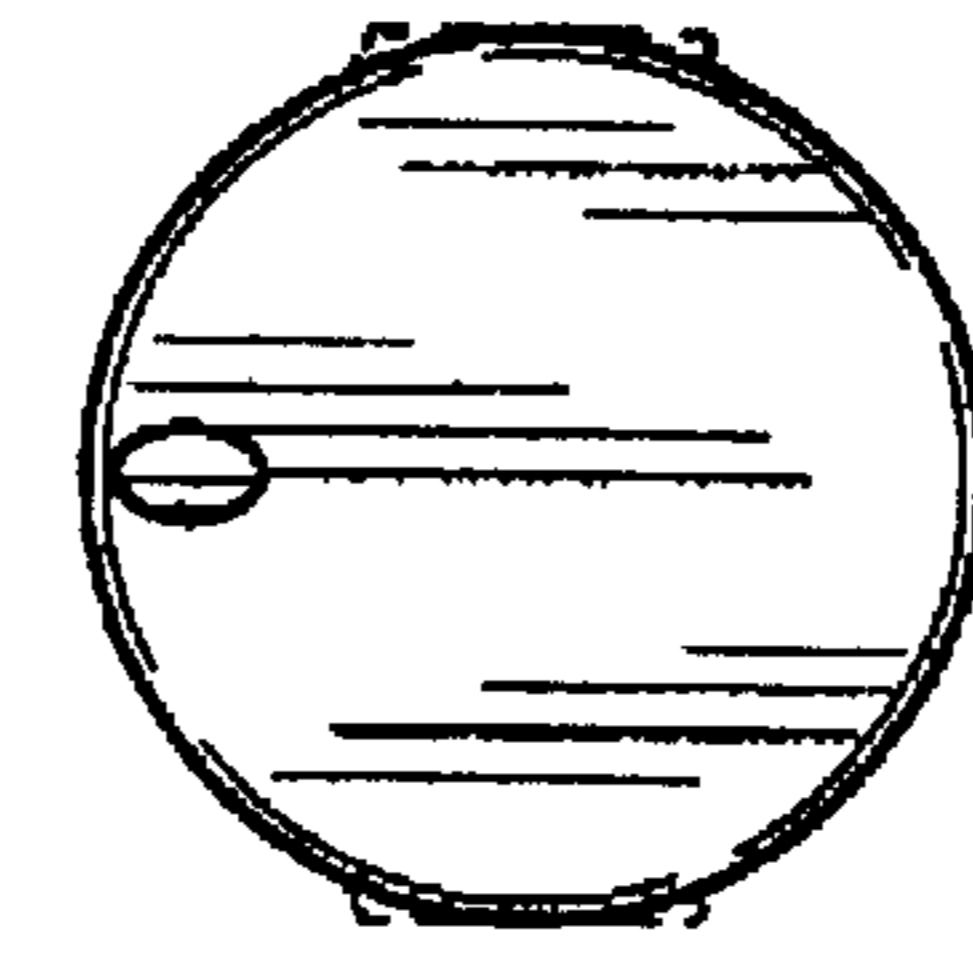


Fig. 7

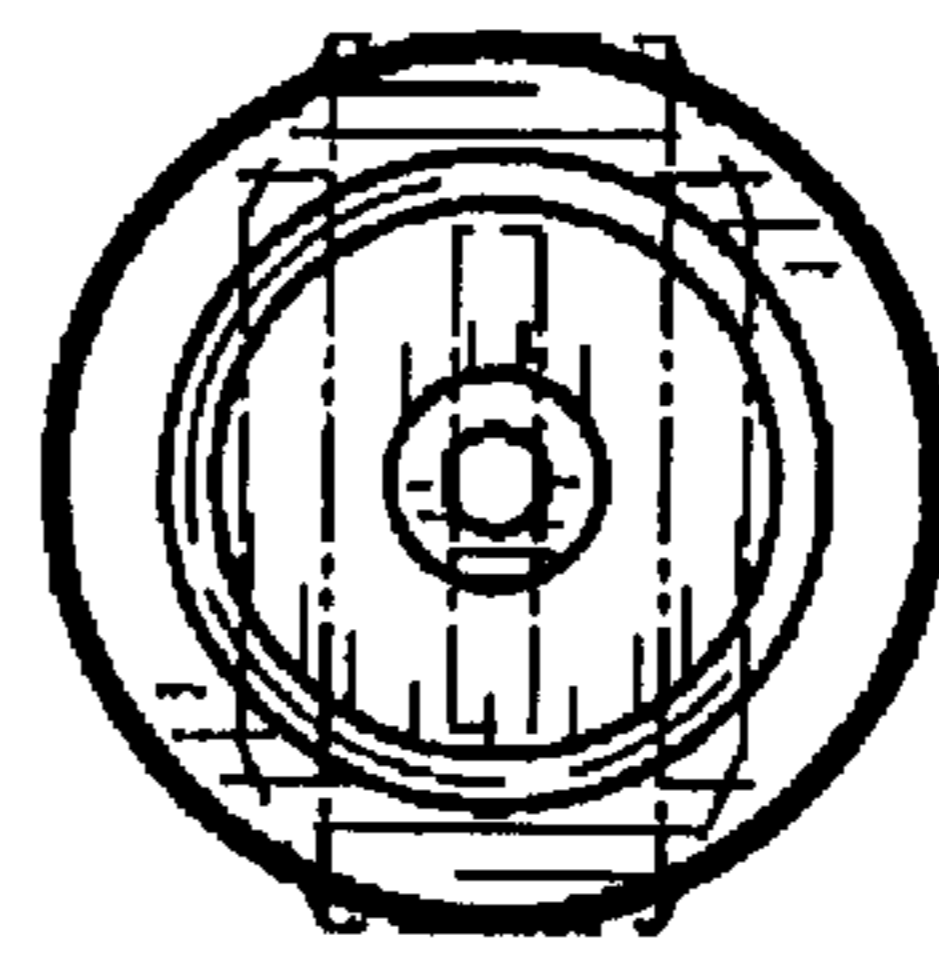


Fig. 6