



US00D539217S

(12) **United States Design Patent**
Hamaguchi

(10) **Patent No.:** **US D539,217 S**

(45) **Date of Patent:** **** Mar. 27, 2007**

(54) **BATTERY**

(75) Inventor: **Masunori Hamaguchi**, Chula Vista,
CA (US)

(73) Assignee: **Matsushita Electric Industrial Co.,
Ltd.**, Osaka (JP)

(**) Term: **14 Years**

(21) Appl. No.: **29/252,678**

(22) Filed: **Jan. 24, 2006**

(51) **LOC (8) Cl.** **13-02**

(52) **U.S. Cl.** **D13/103**

(58) **Field of Classification Search** D13/102-106,
D13/110, 118-119, 184; 429/96-100, 163,
429/176

See application file for complete search history.

(56) **References Cited**

U.S. PATENT DOCUMENTS

4,175,166	A	*	11/1979	Rosansky	429/56
D292,913	S		11/1987	Shaper		
D376,579	S	*	12/1996	Bunyea et al.	D13/103
5,677,080	A		10/1997	Chen		
D392,249	S	*	3/1998	Nakazawa et al.	D13/103
5,747,192	A		5/1998	Hughen et al.		
D401,901	S	*	12/1998	Bunyea et al.	D13/119
5,849,431	A		12/1998	Kita et al.		
D413,565	S	*	9/1999	Nakayama	D13/103
D413,858	S	*	9/1999	Murakami et al.	D13/103
6,168,883	B1		1/2001	Urry		
6,248,472	B1		6/2001	Kelemen		
D455,711	S		4/2002	Fuhr et al.		
D457,131	S	*	5/2002	Kitoh et al.	D13/103

D459,297	S	*	6/2002	Searle	D13/103
6,423,438	B1	*	7/2002	Payne et al.	429/34
D471,515	S		3/2003	Kasahara et al.		
D471,863	S	*	3/2003	Katsumoto et al.	D13/103
D471,864	S		3/2003	Katsumoto et al.		
6,541,153	B2	*	4/2003	Hessabi	429/149
D476,616	S		7/2003	Kasahara et al.		
D476,617	S		7/2003	Kasahara et al.		
D476,619	S		7/2003	Katsumoto et al.		
D477,276	S		7/2003	Katsumoto et al.		
D481,993	S	*	11/2003	Searle	D13/103
D486,445	S	*	2/2004	Kasahara et al.	D13/103

* cited by examiner

Primary Examiner—Alan P. Douglas

Assistant Examiner—Rosemary K. Tarcza

(74) *Attorney, Agent, or Firm*—Brinks Hofer Gilson &
Lione

(57) **CLAIM**

I claim the ornamental design for a battery, as shown and described.

DESCRIPTION

FIG. 1 is a perspective view of a battery of the present invention;
FIG. 2 is a front view thereof;
FIG. 3 is a first side view thereof;
FIG. 4 is a second side view thereof;
FIG. 5 is a bottom view thereof;
FIG. 6 is a top view thereof;
FIG. 7 is a rear view thereof; and,
FIG. 8 is a cross-section view taken along the line 8—8 of FIG. 2 with the internal mechanism being omitted.

1 Claim, 3 Drawing Sheets

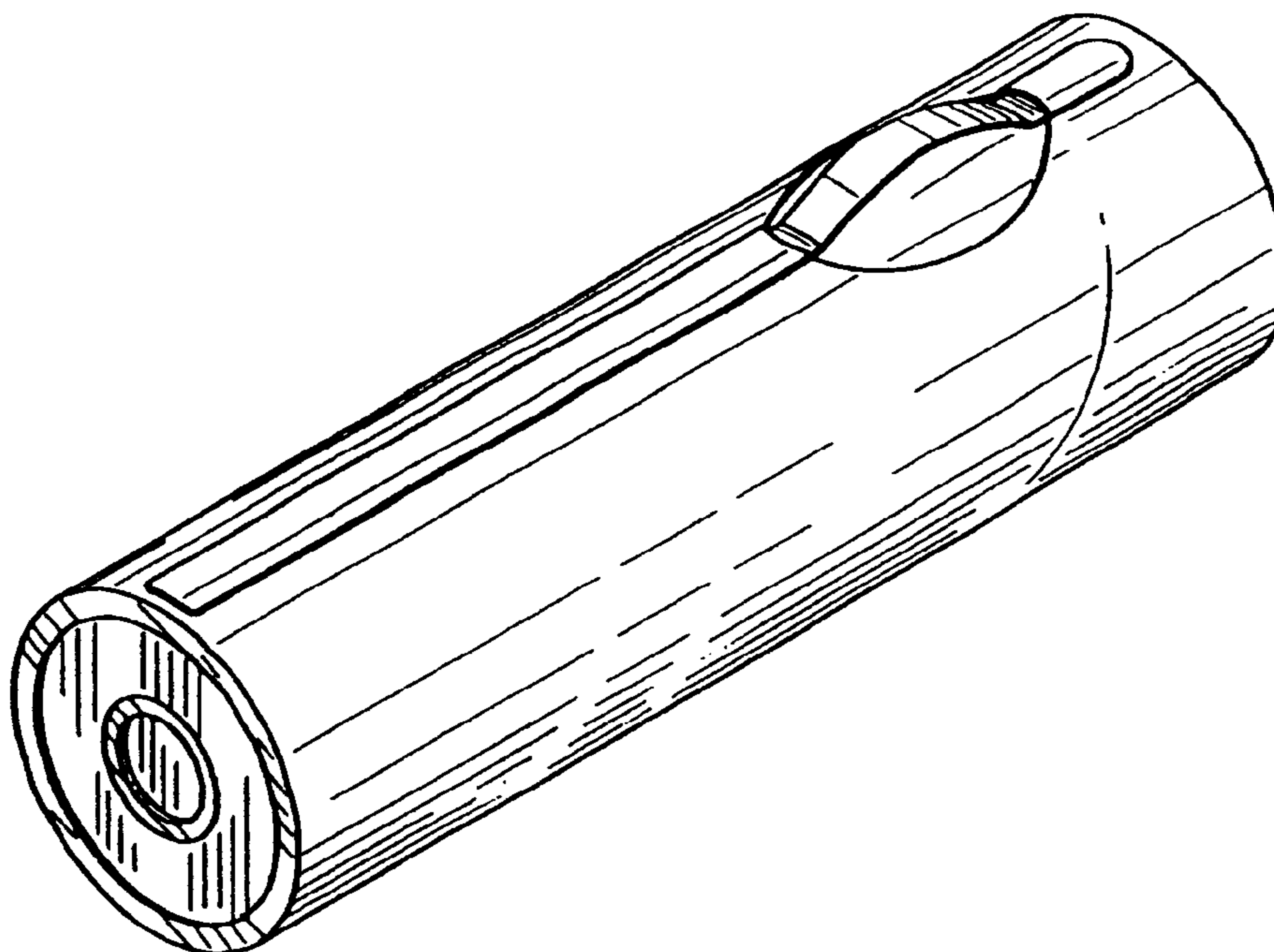


FIG. 1

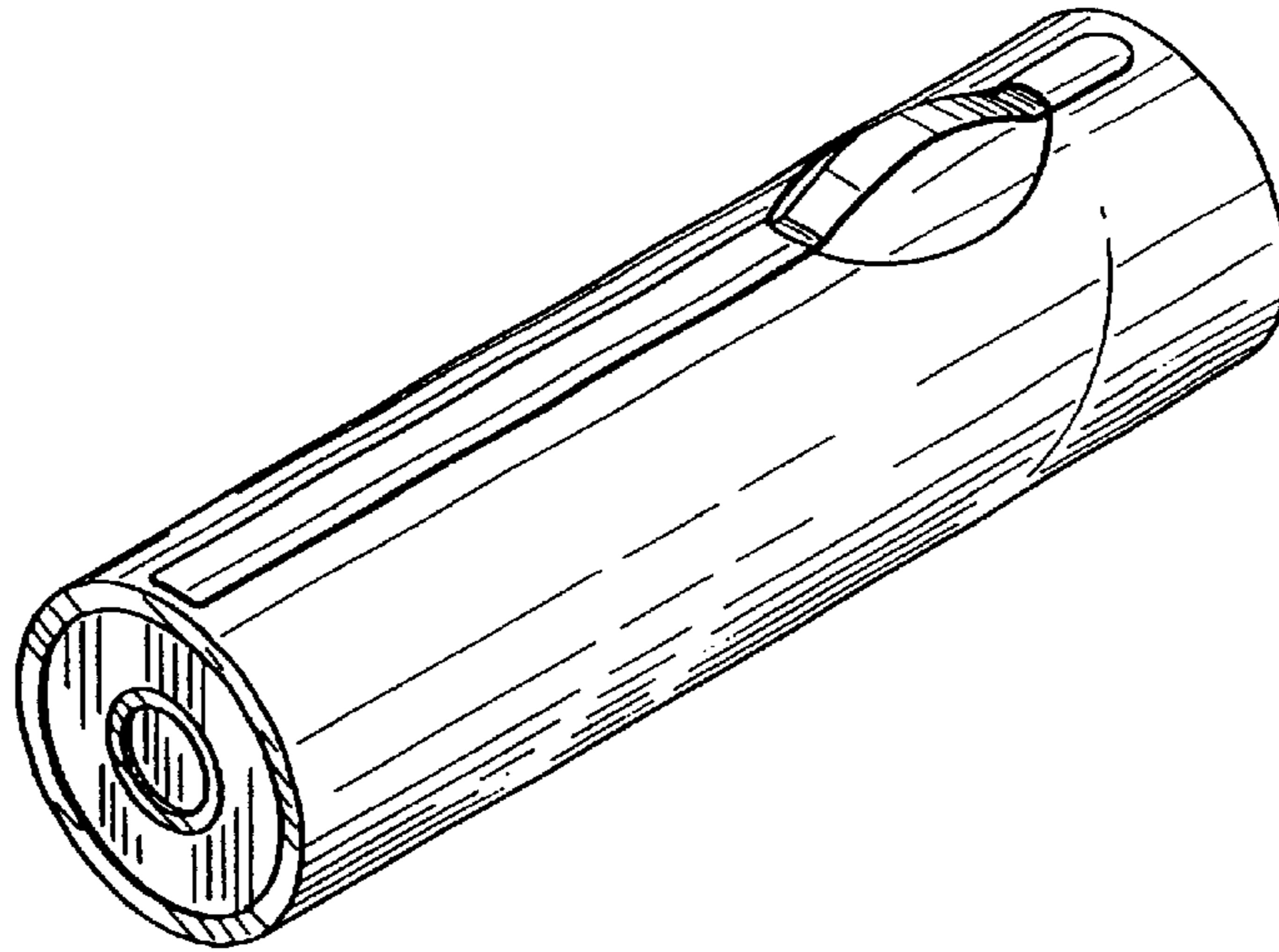


FIG. 2

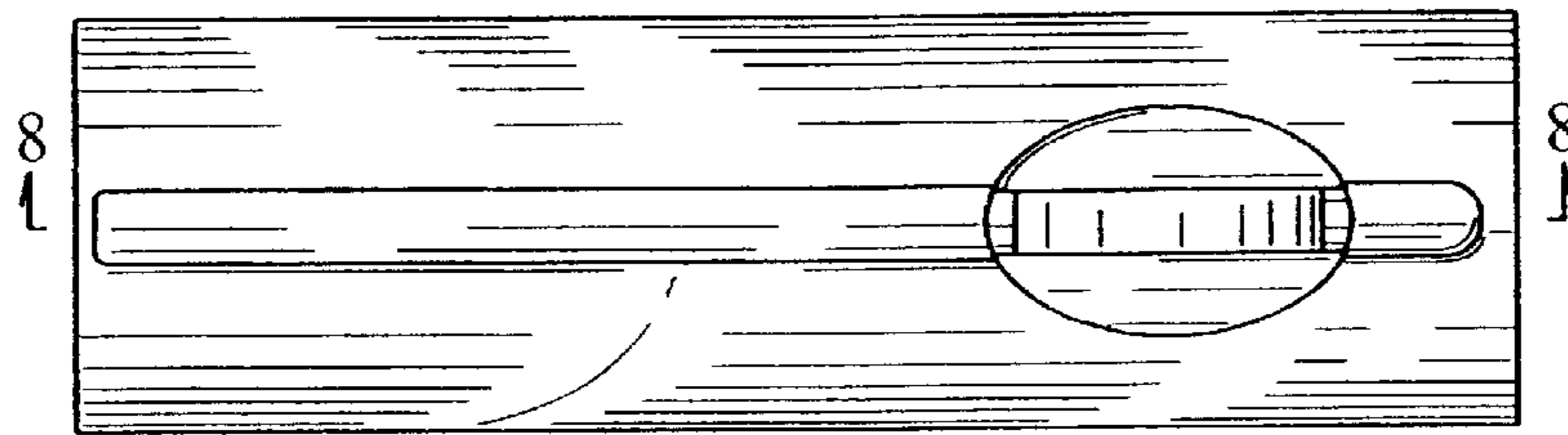


FIG. 3

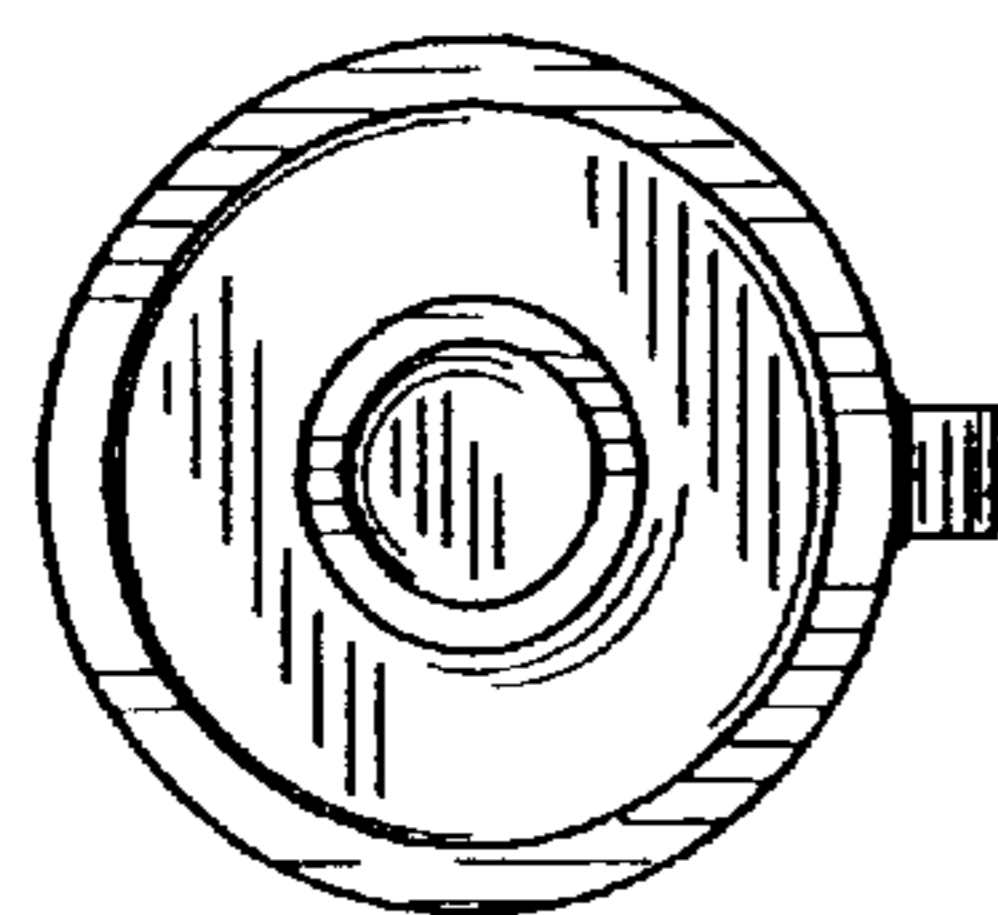


FIG. 4

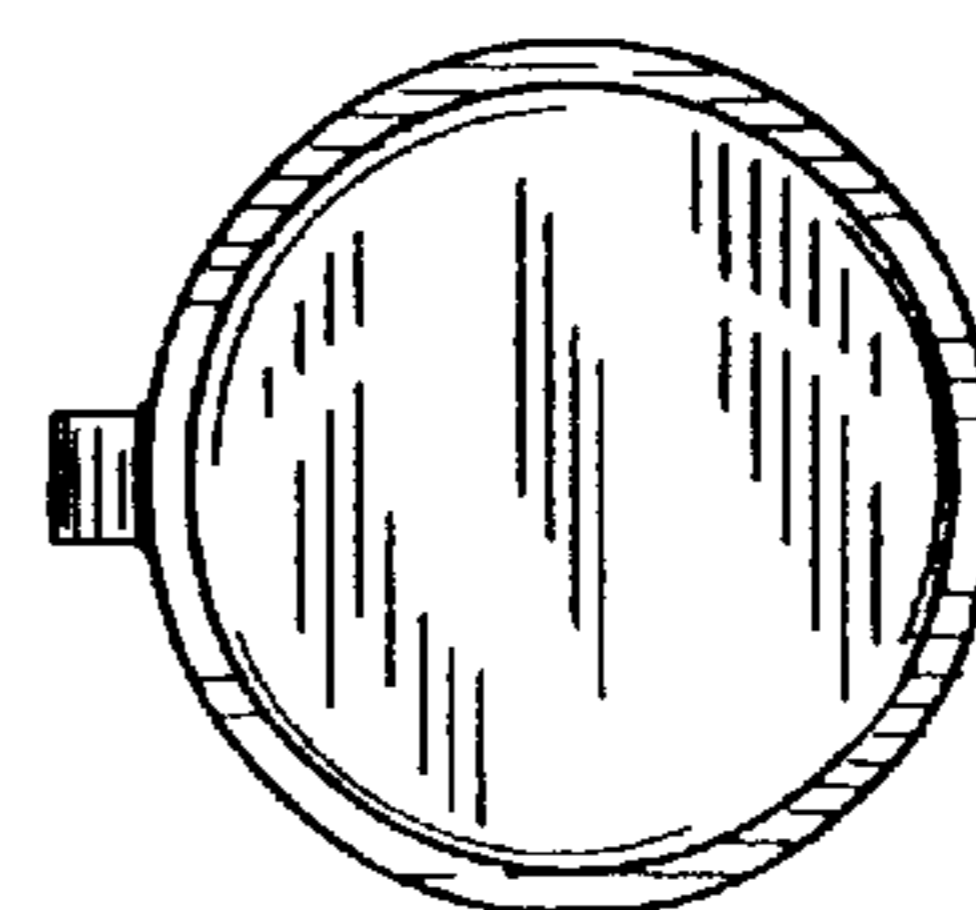


FIG.6

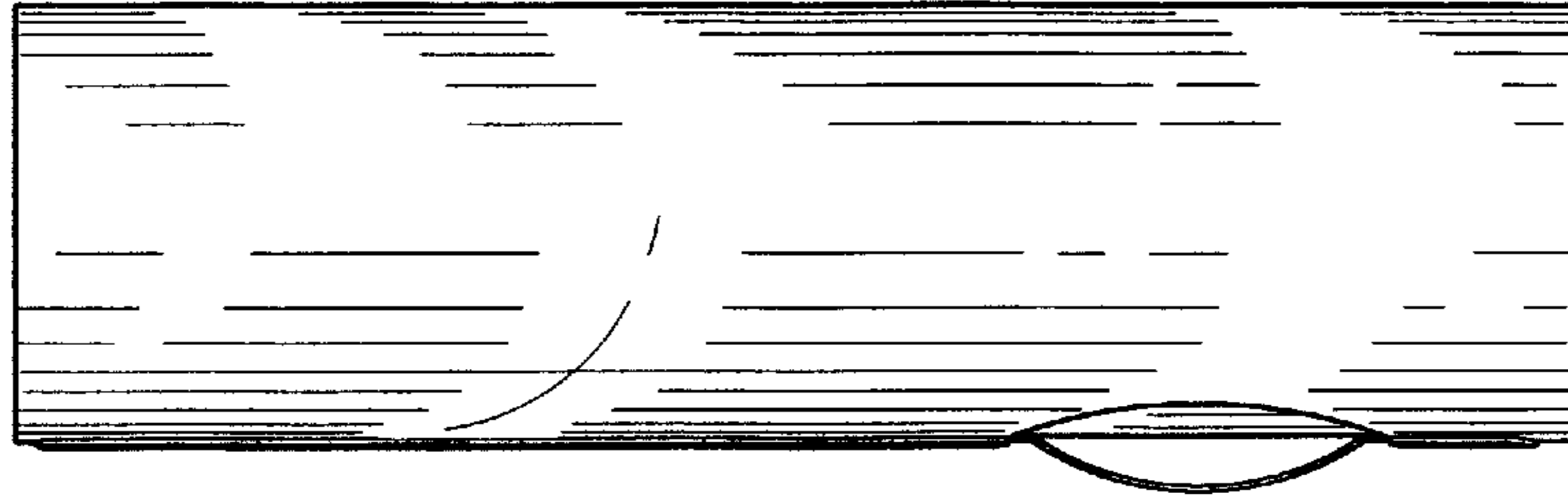


FIG.5

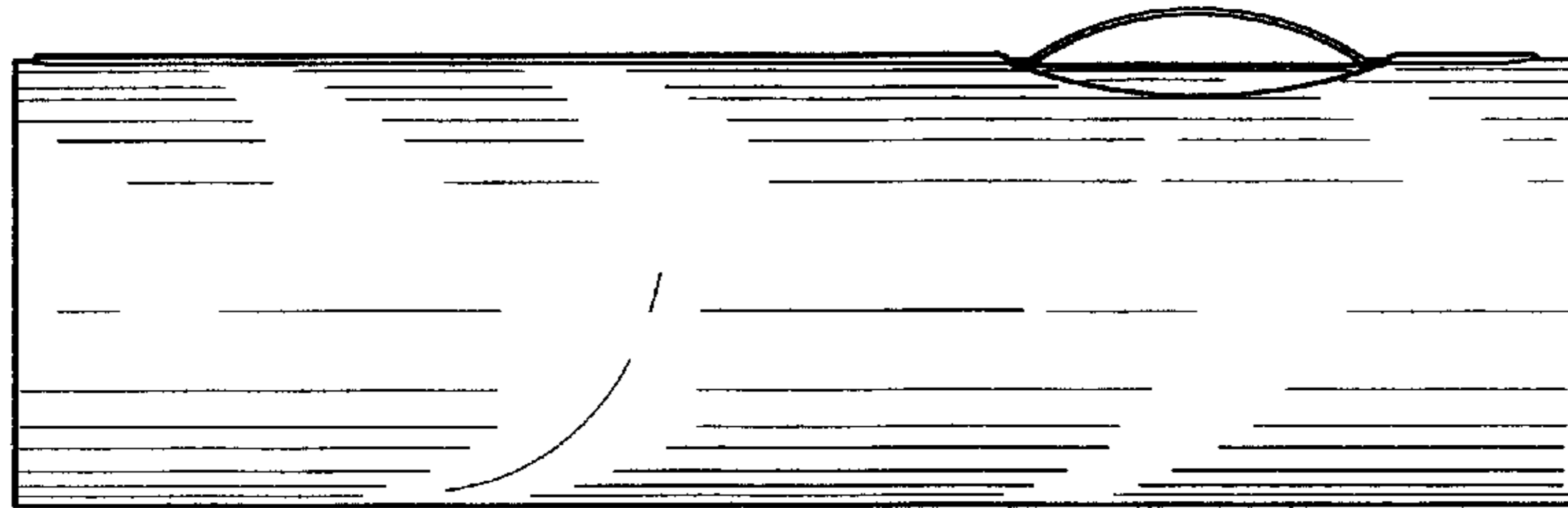


FIG.7

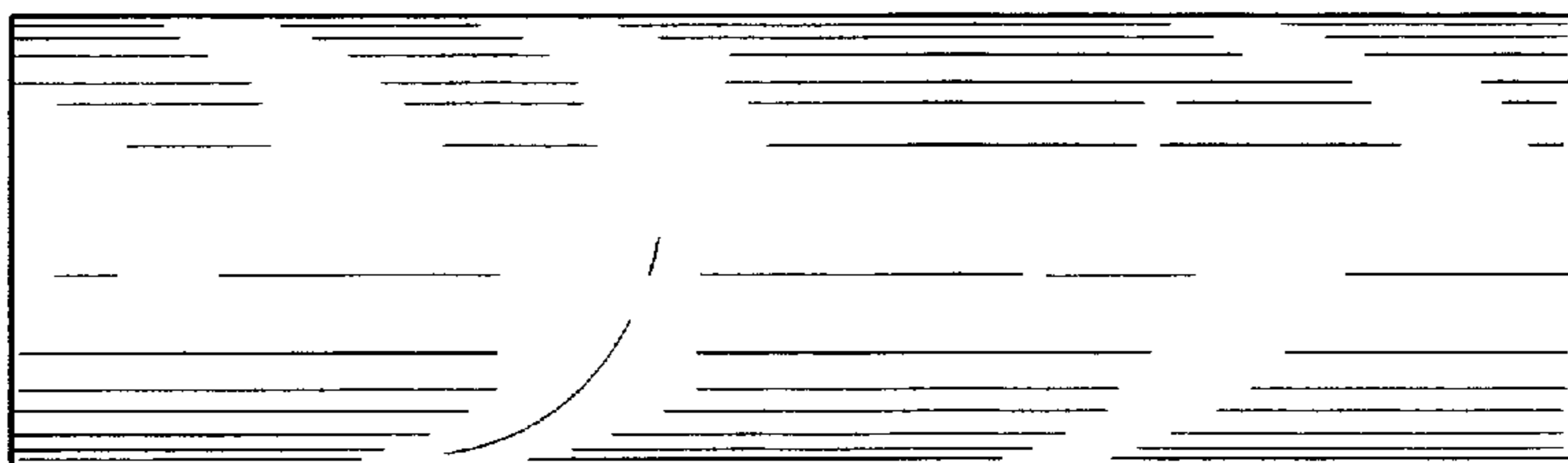


FIG.8

