



US00D539212S

(12) **United States Design Patent**
Maezono et al.

(10) **Patent No.:** **US D539,212 S**
(45) **Date of Patent:** **** Mar. 27, 2007**

(54) **INTERIOR ROOF ELEMENT FOR AN
AUTOMOBILE**

(75) Inventors: **Teppei Maezono**, Wako (JP); **Nobuhiro Hayase**, Wako (JP)

(73) Assignee: **Honda Motor Co., Ltd.**, Tokyo (JP)

(**) Term: **14 Years**

(21) Appl. No.: **29/256,508**

(22) Filed: **Mar. 22, 2006**

(30) **Foreign Application Priority Data**

Sep. 22, 2005 (JP) 2005-27391

(51) **LOC (8) Cl.** **12-16**

(52) **U.S. Cl.** **D12/418**

(58) **Field of Classification Search** D12/415,
D12/418, 400, 195, 187-189; D14/124, 126,
D14/129, 113, 132-133, 100; 296/37.1-37.8,
296/24.1, 929, 534, 70; 224/311, 539; 180/90;
439/34

See application file for complete search history.

(56) **References Cited**

U.S. PATENT DOCUMENTS

D260,507 S * 9/1981 Kosugi et al. D12/418
D282,733 S * 2/1986 Giavazzi et al. D12/195

4,867,498 A * 9/1989 Delphia et al. 296/37.7
D339,780 S * 9/1993 Burdick D12/418
D340,017 S * 10/1993 Falcoff D12/418
5,775,762 A * 7/1998 Vitito 296/37.7
6,267,428 B1 * 7/2001 Baldas et al. 296/37.7
6,619,716 B1 * 9/2003 Sturt 296/37.8
D502,440 S * 3/2005 MacWilliam et al. D12/418

* cited by examiner

Primary Examiner—Stacia Cadmus

(74) *Attorney, Agent, or Firm*—Sughrue Mion, PLLC

(57) **CLAIM**

The ornamental design for an interior roof element for an automobile, as shown and described.

DESCRIPTION

FIG. 1 is a perspective view of the bottom, rear and left side of an interior roof element for an automobile showing our new design;

FIG. 2 is a perspective view of the bottom, front and right side thereof;

FIG. 3 is a bottom plan view thereof;

FIG. 4 is a top plan view thereof;

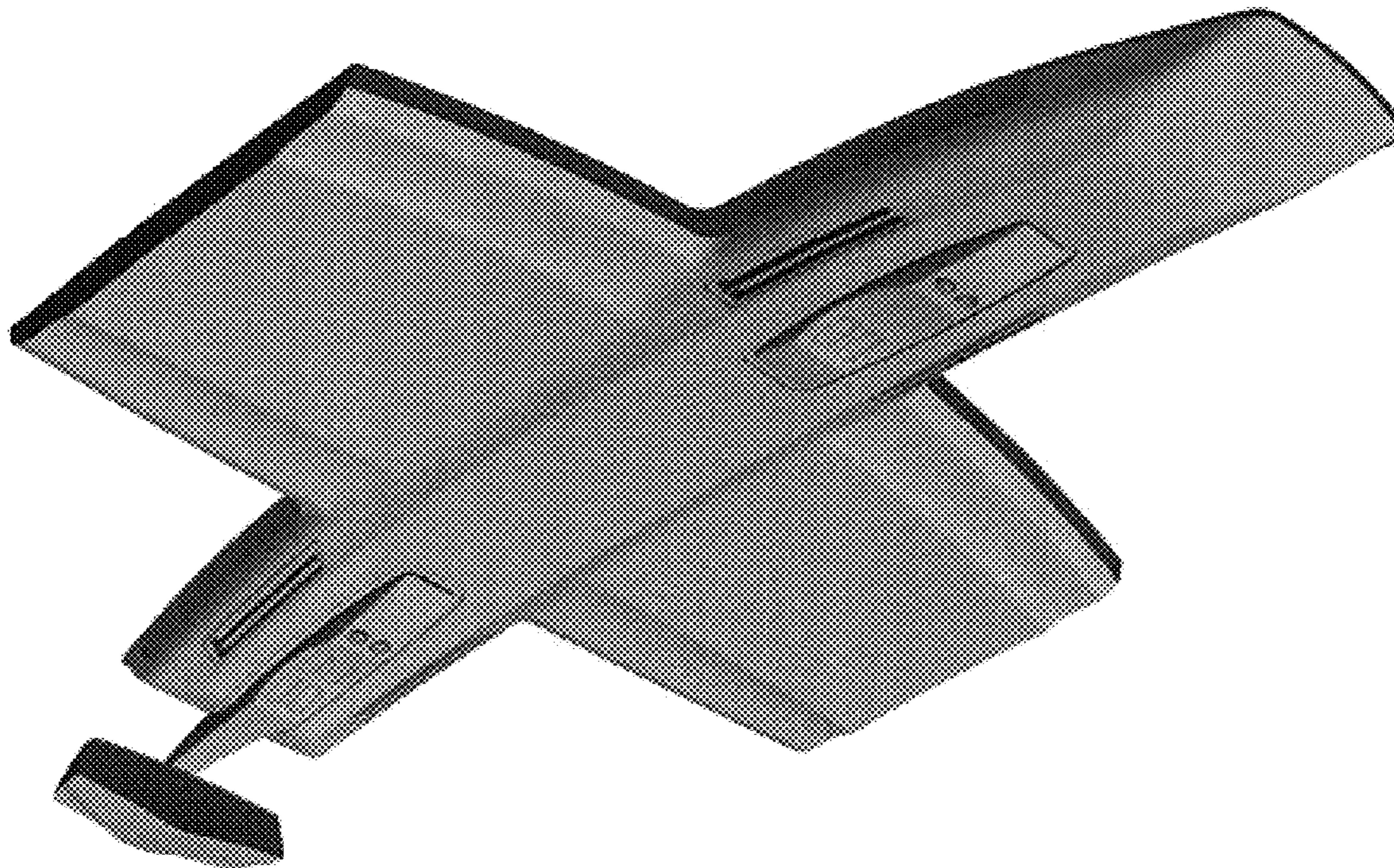
FIG. 5 is a left side elevational view thereof;

FIG. 6 is an inverted right side elevational view thereof;

FIG. 7 is a front elevational view thereof; and,

FIG. 8 is a rear elevational view thereof.

1 Claim, 8 Drawing Sheets



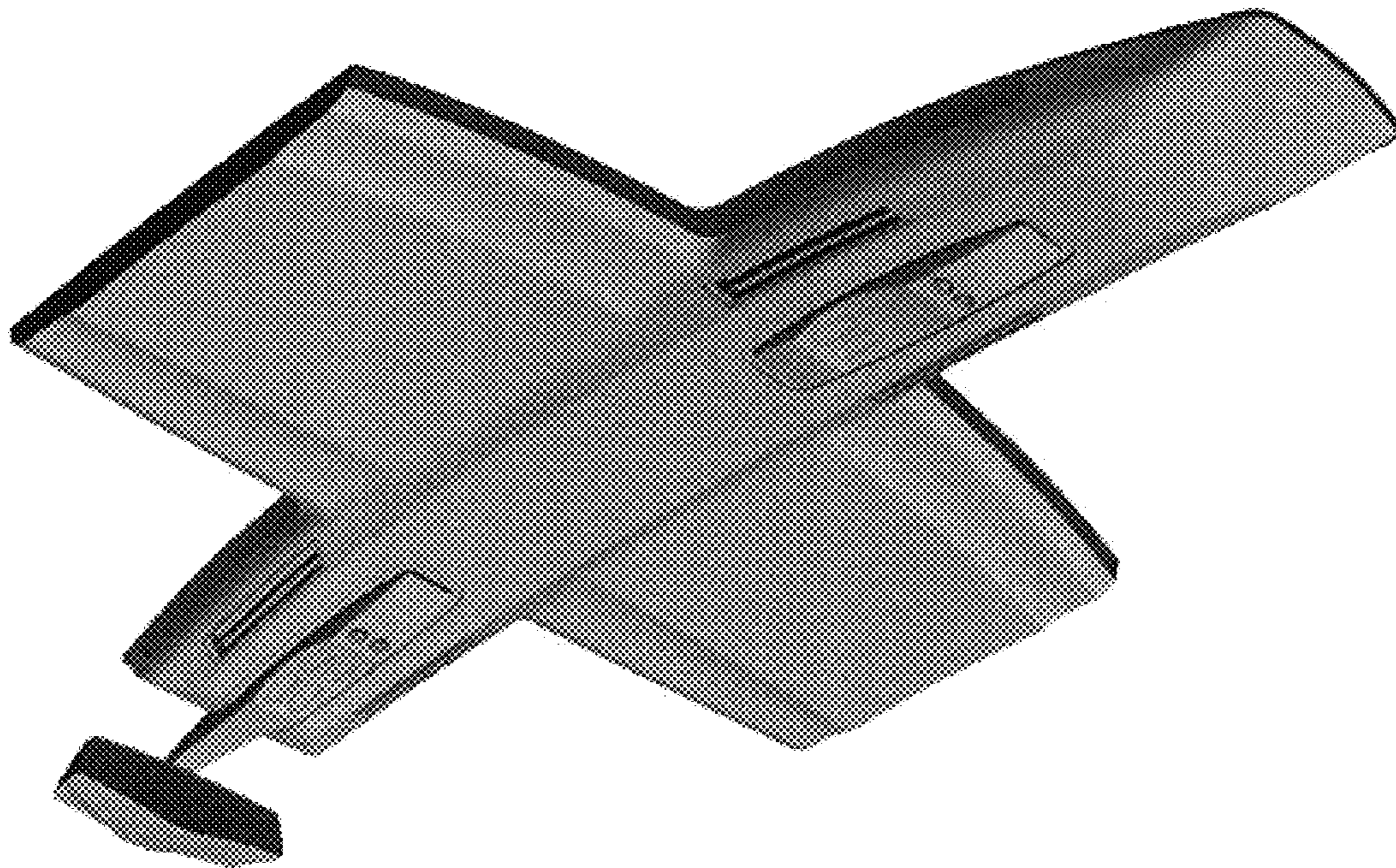


FIG. 1

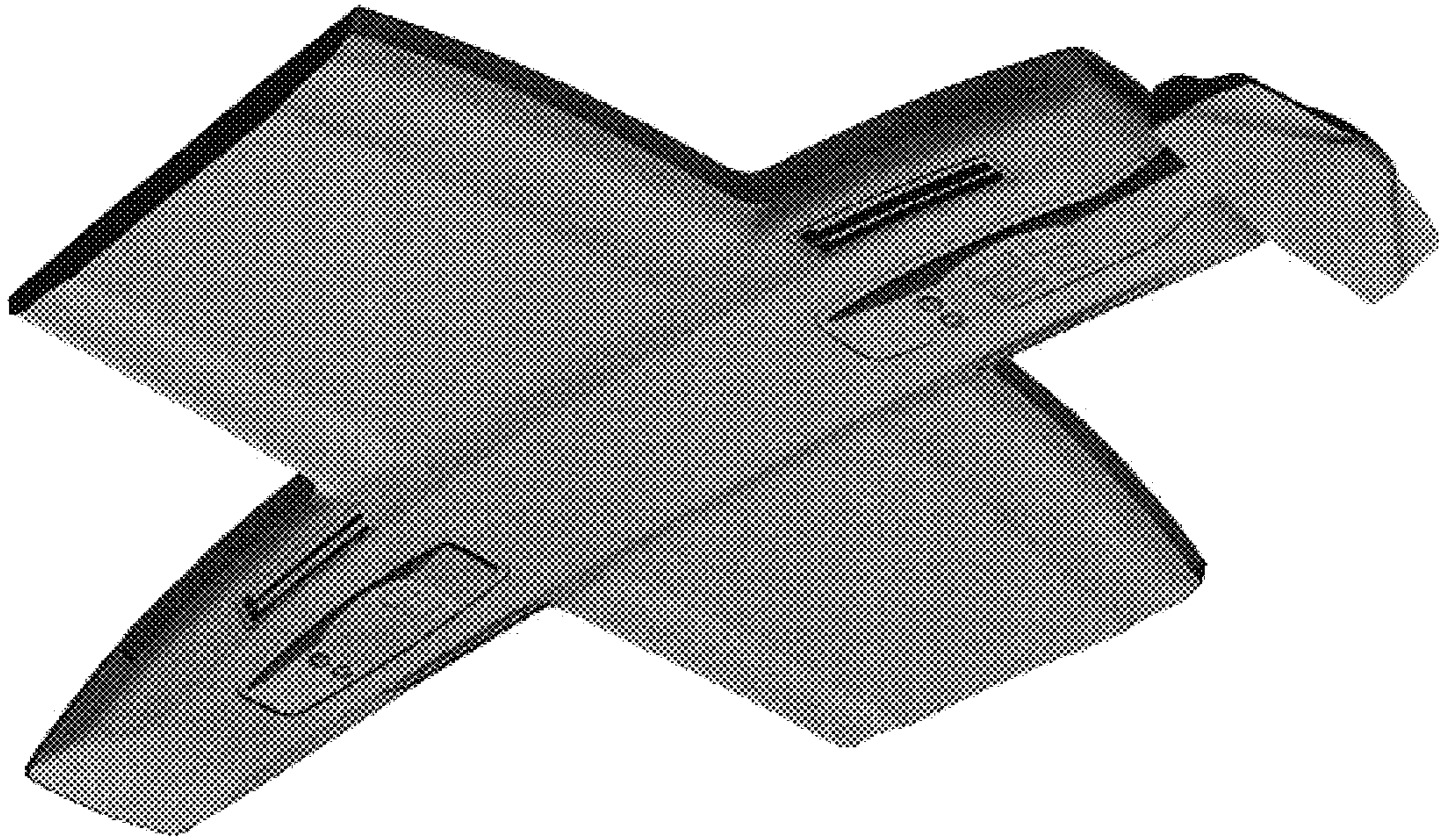


FIG.2

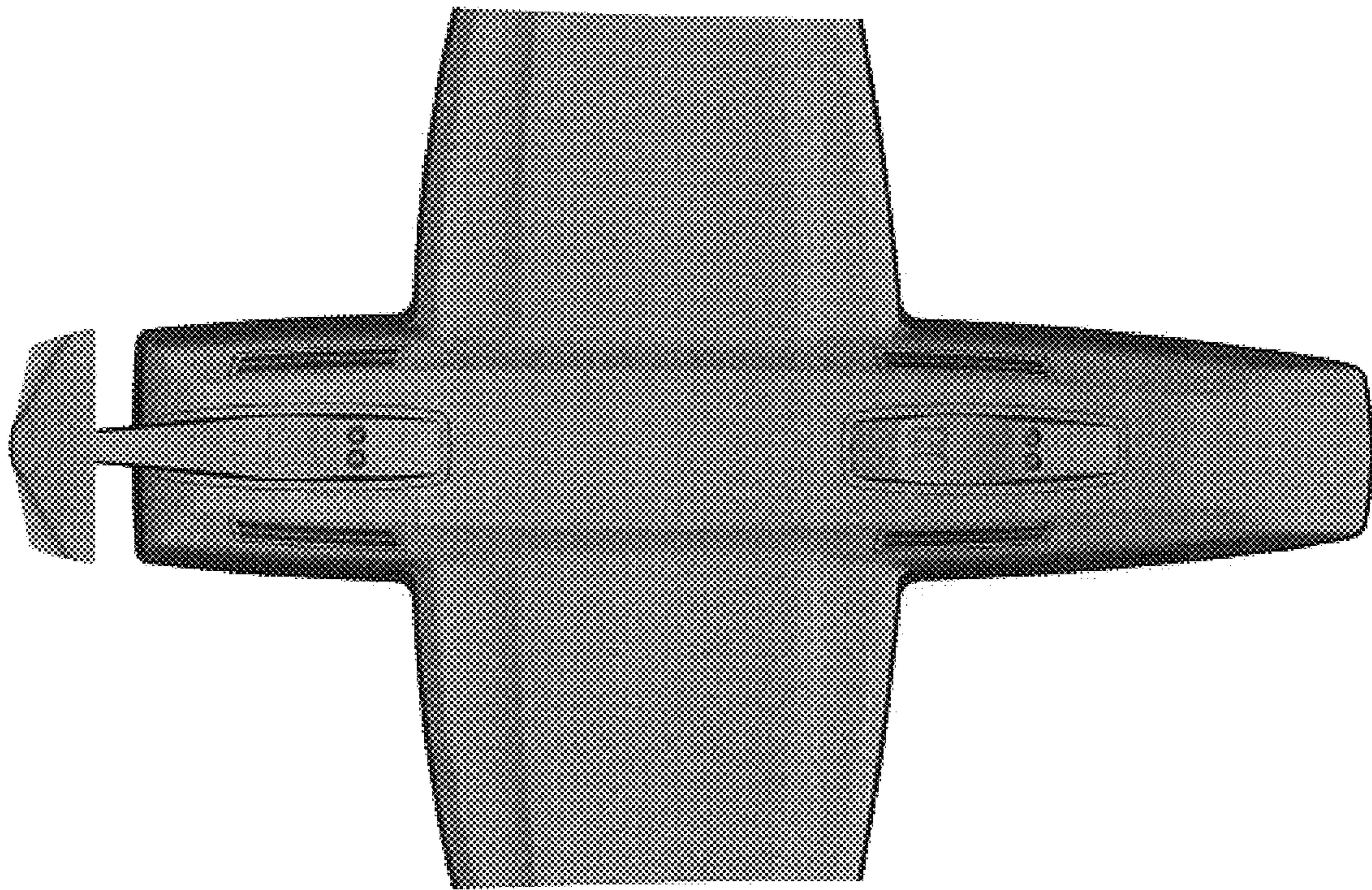


FIG.3

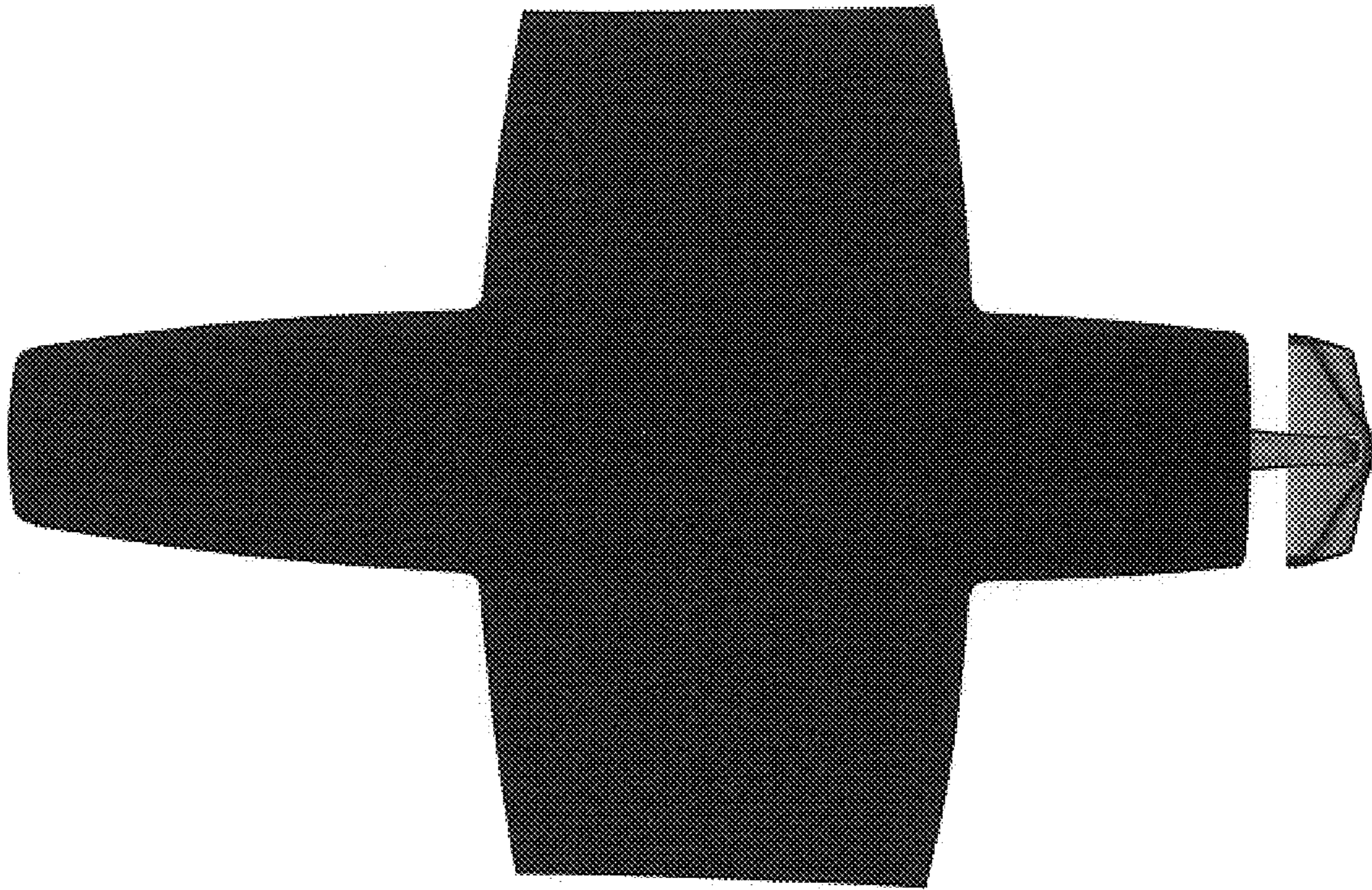


FIG. 4



FIG.5



FIG.6

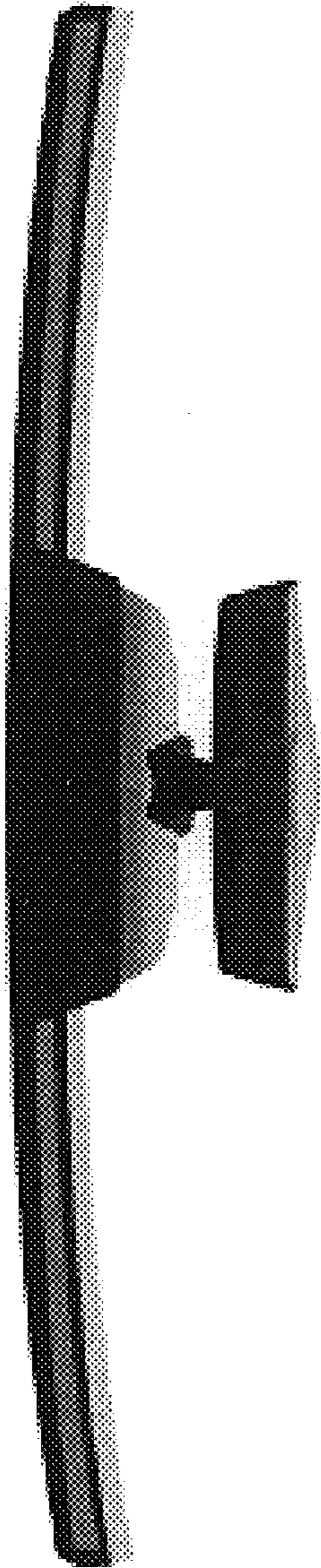


FIG. 7

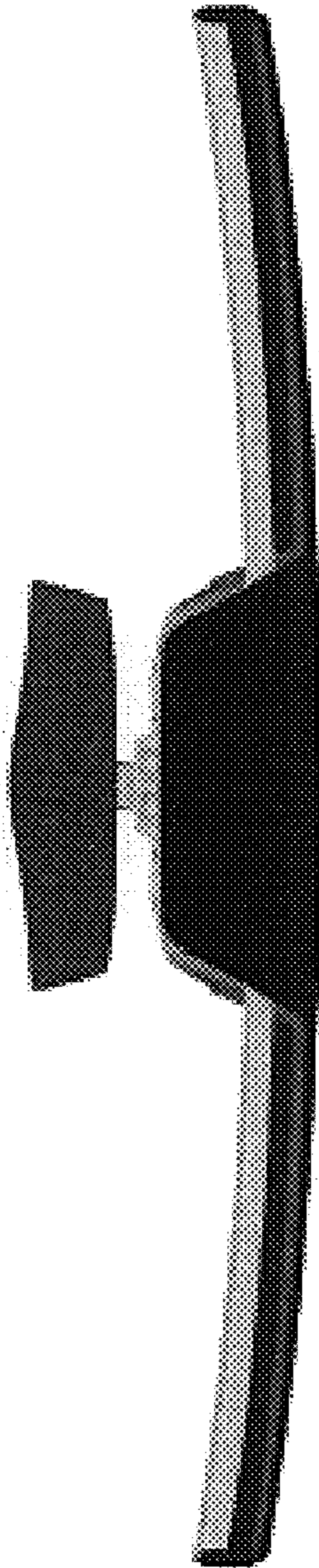


FIG. 8