



US00D539209S

(12) **United States Design Patent**
Caplan

(10) **Patent No.:** **US D539,209 S**

(45) **Date of Patent:** **** Mar. 27, 2007**

(54) **WATER-BORNE CRAFT**

(75) Inventor: **Paul Caplan**, Exmouth (GB)

(73) Assignee: **Yo Bro Limited**, Exmouth (GB)

(**) Term: **14 Years**

(21) Appl. No.: **29/230,092**

(22) Filed: **May 17, 2005**

(30) **Foreign Application Priority Data**

Feb. 8, 2005 (EM) 000295639-0001

(51) **LOC (8) Cl.** **12-06**

(52) **U.S. Cl.** **D12/306**

(58) **Field of Classification Search** D12/300,
D12/301, 305-307, 316, 317; D21/769, 771;
114/58; 440/90-93, 107, 108

See application file for complete search history.

(56) **References Cited**

U.S. PATENT DOCUMENTS

D233,740 S	*	11/1974	Martin	D12/306
D254,485 S	*	3/1980	Stevens	D12/306
D299,941 S	*	2/1989	Chang	D12/306
D305,636 S	*	1/1990	Kienlen	D12/300
D317,286 S	*	6/1991	Drake	D12/306
D317,893 S	*	7/1991	Rudy	D12/306

5,071,378 A	*	12/1991	Wang	440/90
D374,207 S	*	10/1996	Peterson	D12/306
D427,136 S	*	6/2000	Roy et al.	D12/300
6,083,065 A	*	7/2000	Hall	440/91

* cited by examiner

Primary Examiner—Holly H. Baynham

Assistant Examiner—Cynthia Chin

(74) *Attorney, Agent, or Firm*—Bradley N. Ruben

(57) **CLAIM**

I claim the ornamental design for a water-borne craft, as shown and described.

DESCRIPTION

FIG. 1 is a plan view from above of the water-borne craft in assembled stated;

FIG. 2 is a plan view from below of the craft;

FIG. 3 is a side elevation view of the craft;

FIG. 4 is a front end elevation view of the craft;

FIG. 5 is a rear end elevation view of the craft;

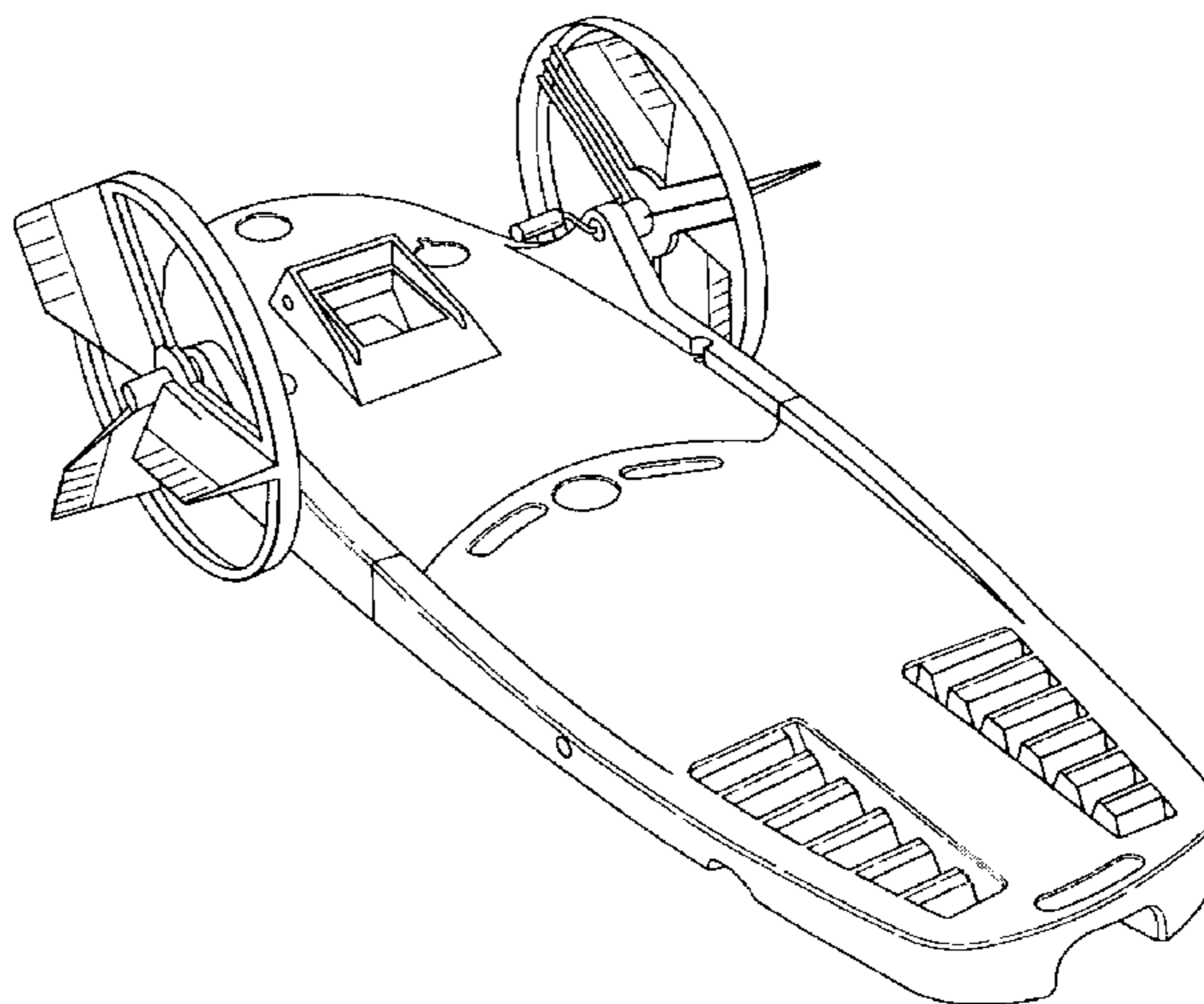
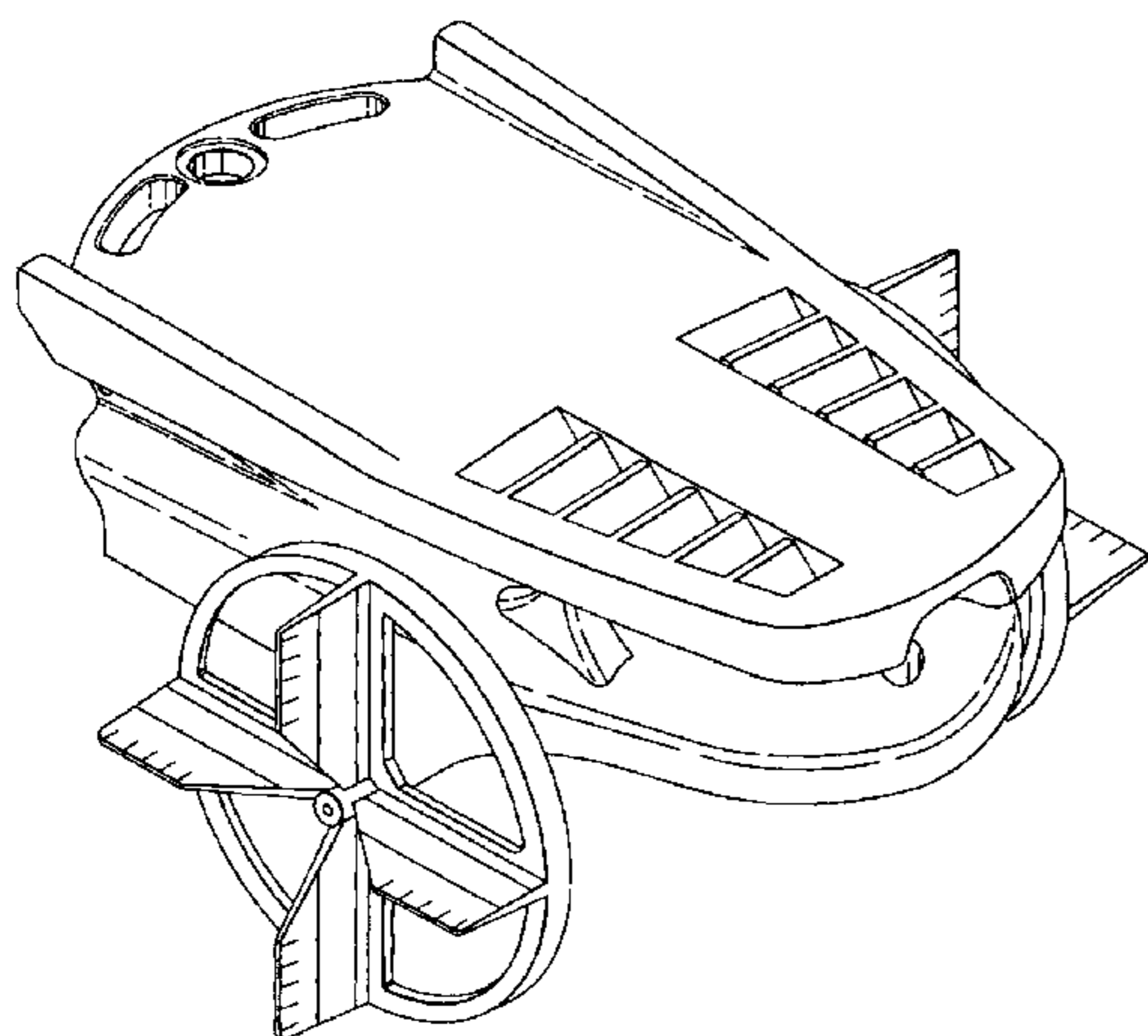
FIG. 6 is a perspective view from above of the craft when folded for storage and transport;

FIG. 7 is a side elevation view corresponding to FIG. 6;

FIG. 8 is a perspective view from the rear and above of a second embodiment of the water-borne craft; and,

FIG. 9 is a perspective view from below of the second embodiment of the water-borne craft.

1 Claim, 4 Drawing Sheets



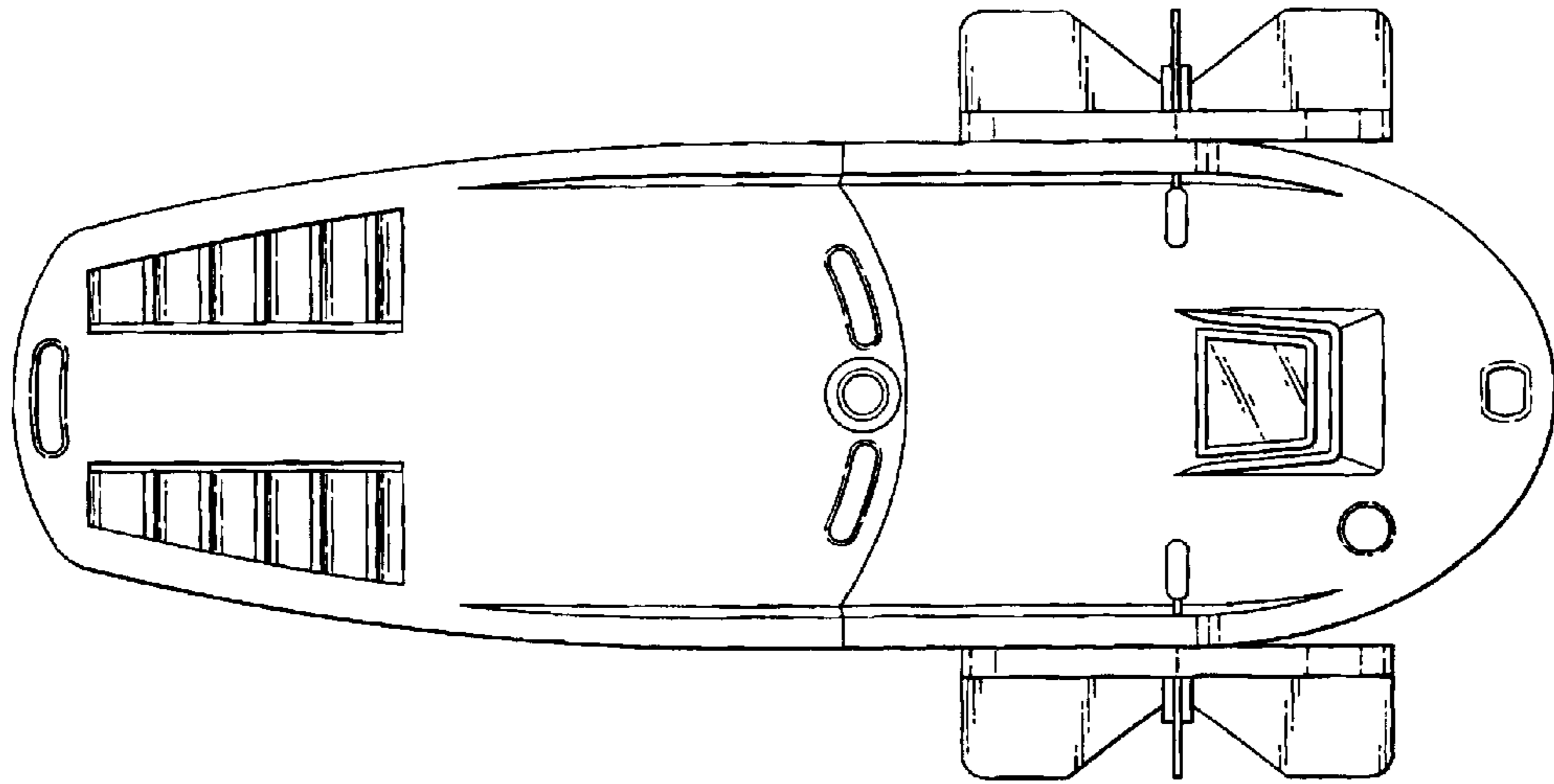


Fig.1

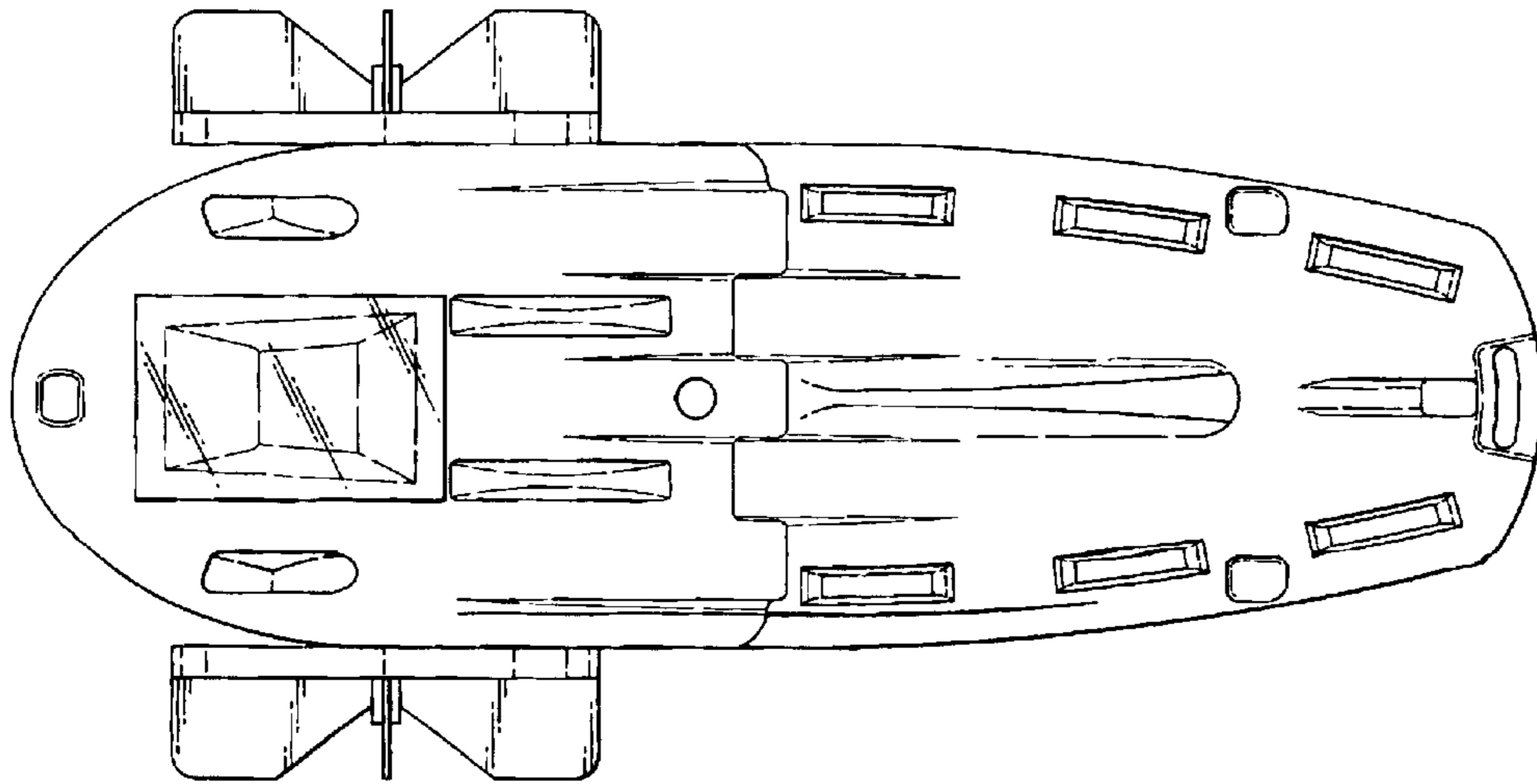


Fig.2

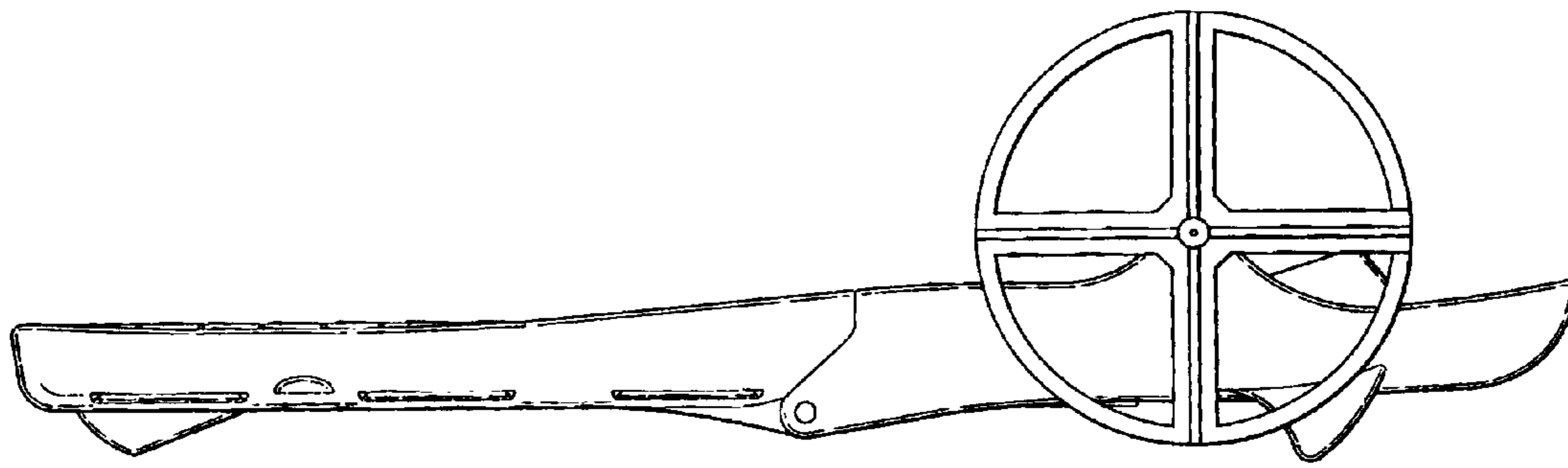


Fig.3

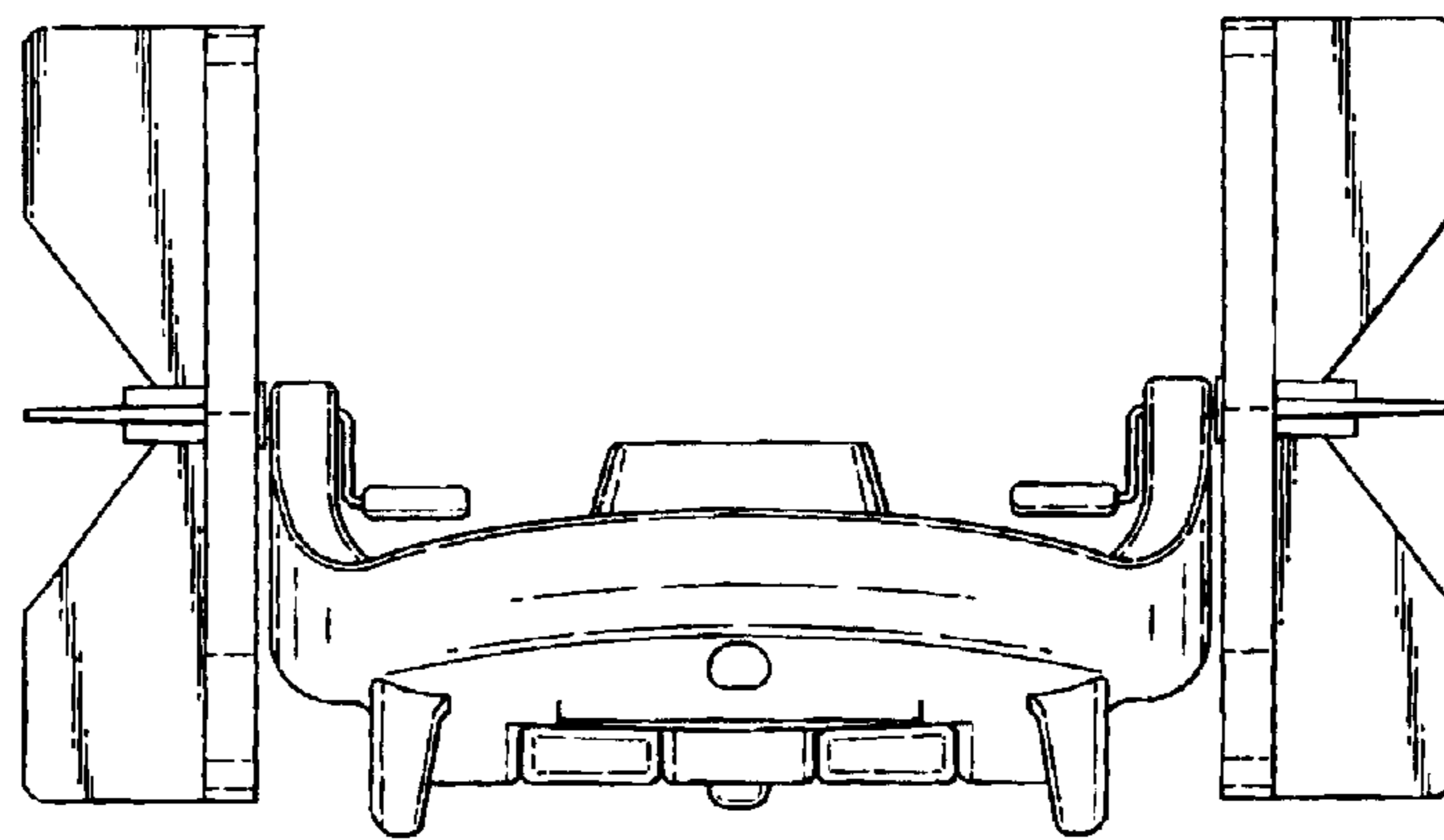


Fig.4

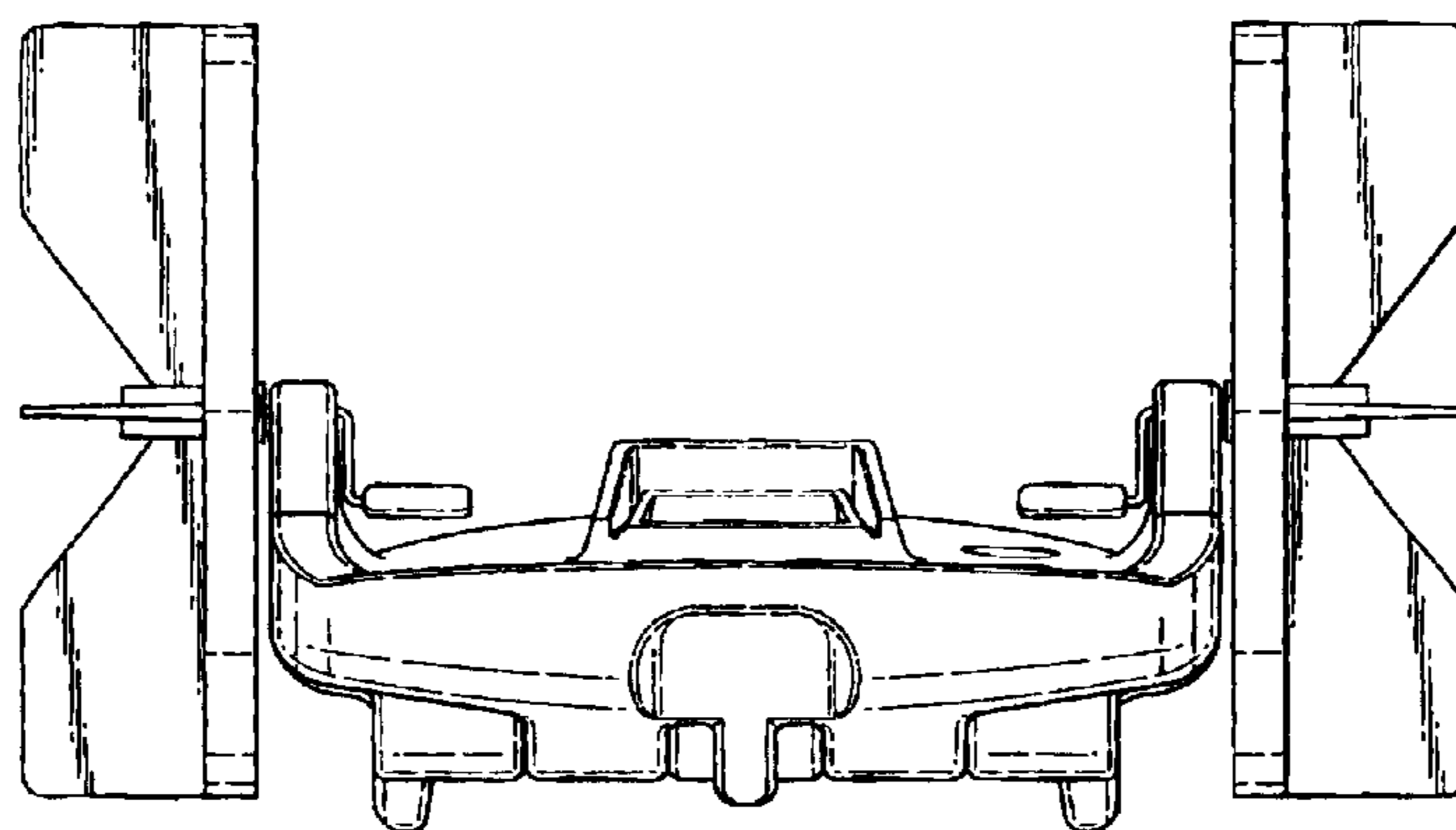


Fig.5

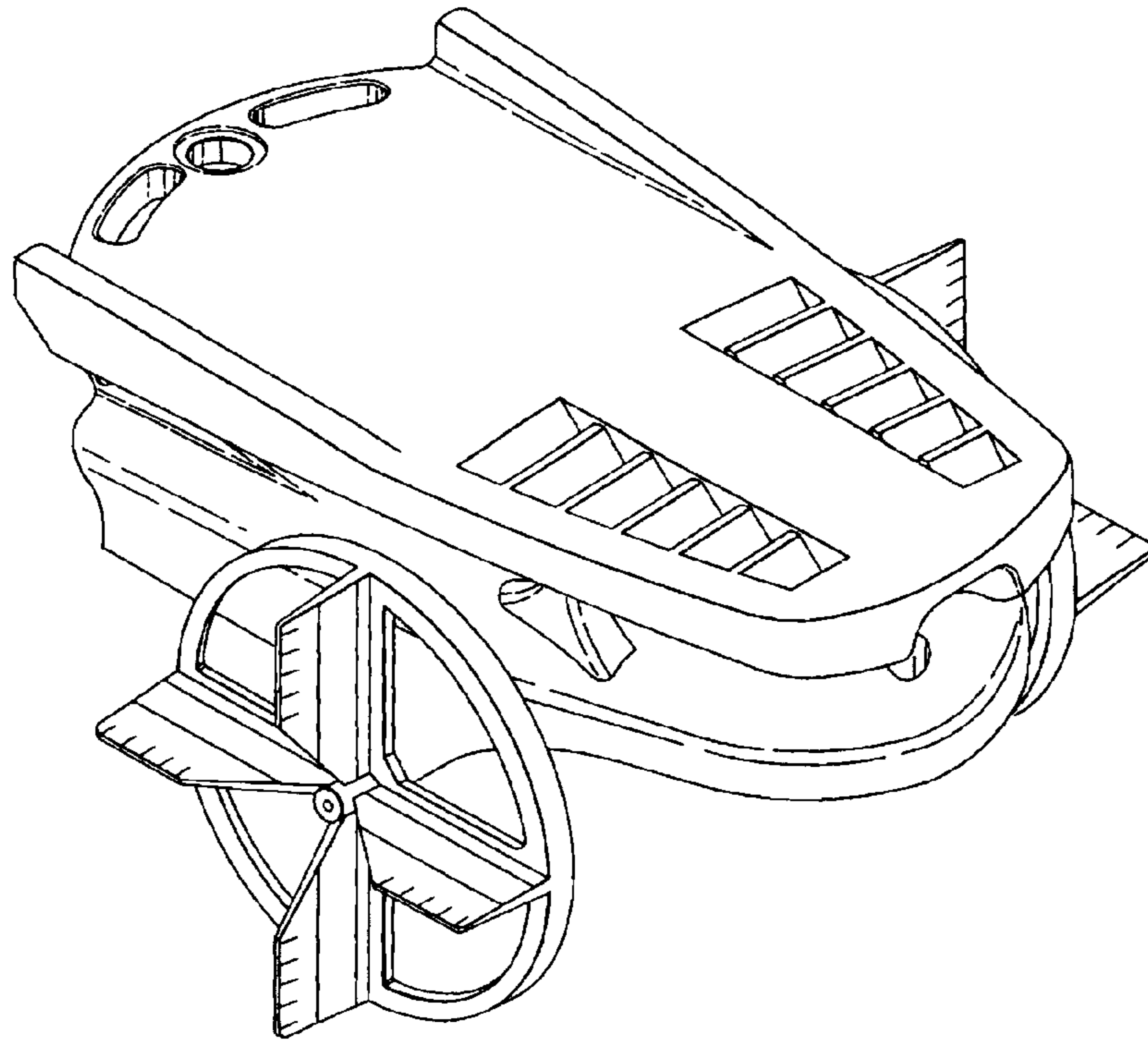


Fig.6

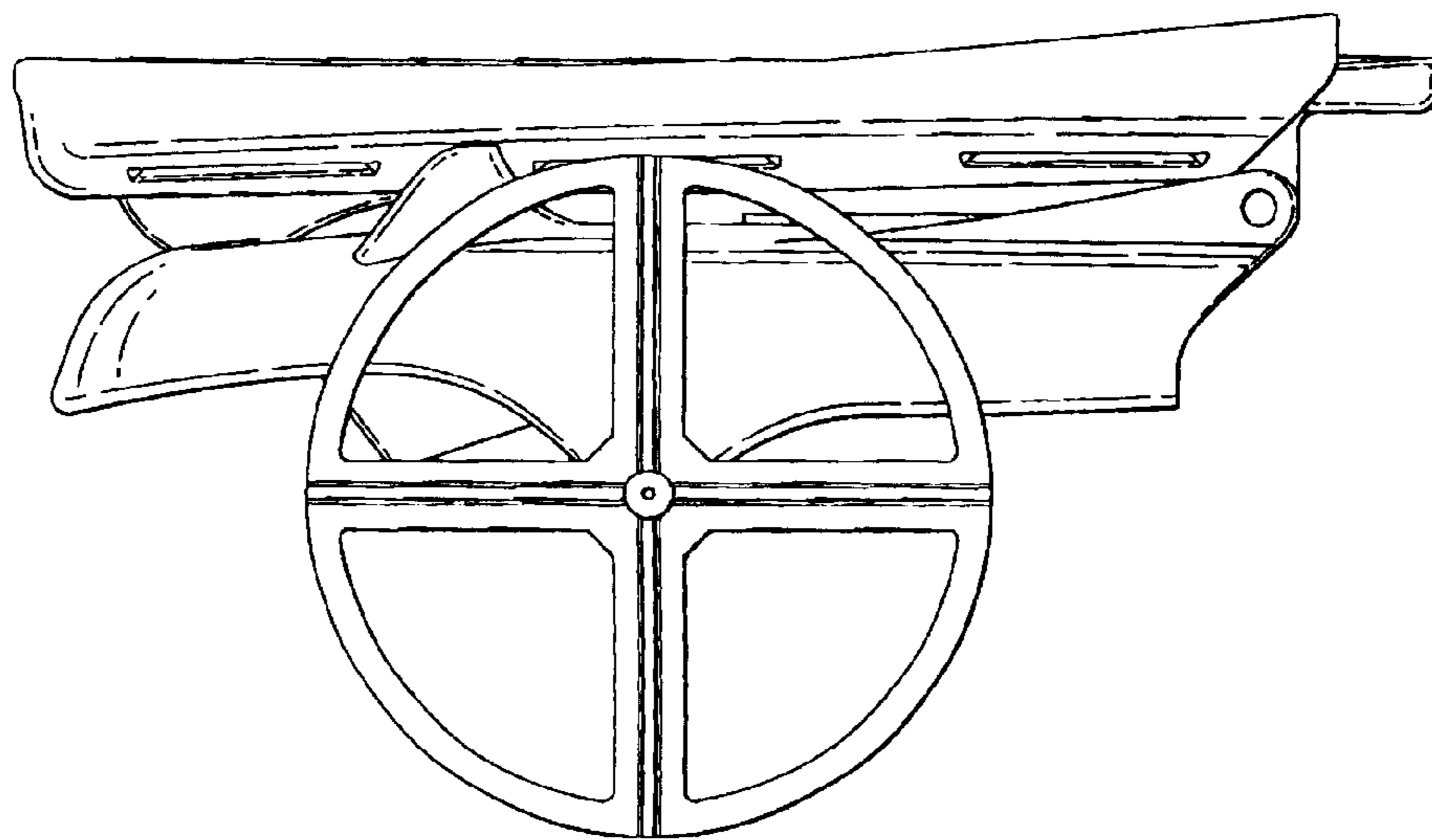


Fig.7

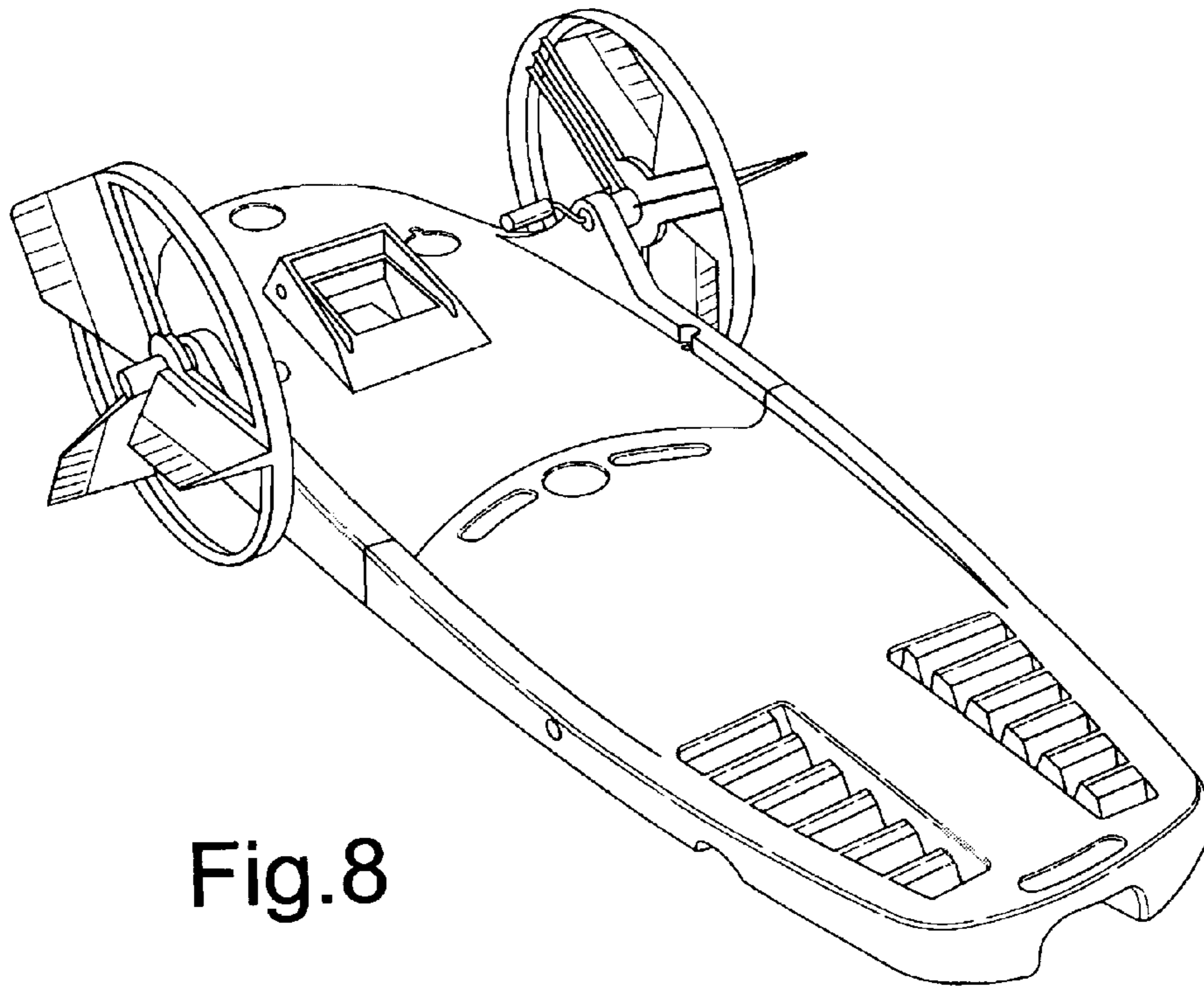


Fig.8

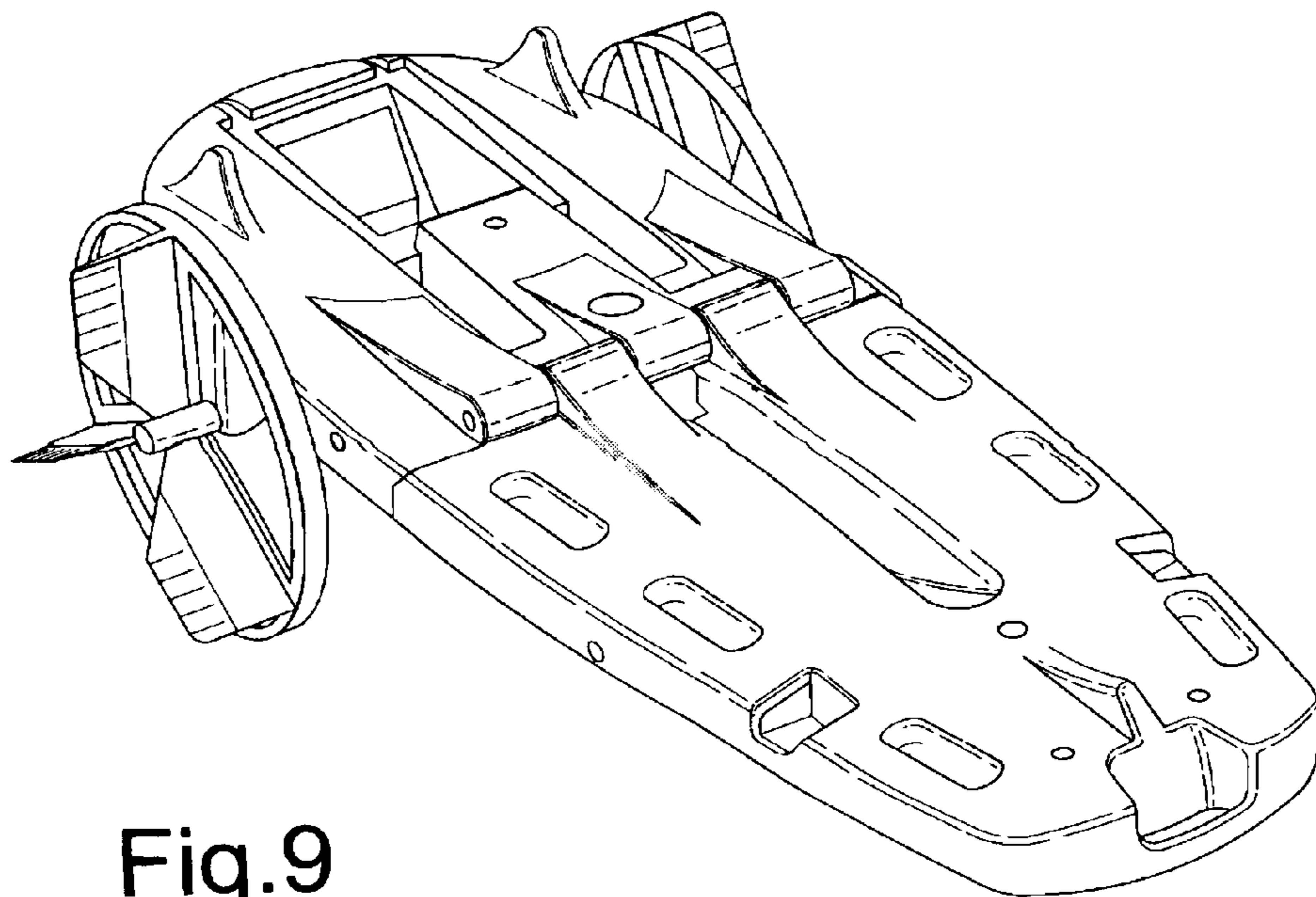


Fig.9