



US00D539208S

(12) **United States Design Patent**
Reimitz

(10) **Patent No.:** **US D539,208 S**
(45) **Date of Patent:** **** Mar. 27, 2007**

(54) **MOTORCYCLE BRACKET FOR MOUNTING LICENSE PLATES AND TURN SIGNAL LIGHTS**

(75) Inventor: **Oliver E. Reimitz**, Rockledge, FL (US)

(73) Assignee: **Fendereliminators, Inc.**, Rockledge, FL (US)

(**) Term: **14 Years**

(21) Appl. No.: **29/260,458**

(22) Filed: **May 25, 2006**

Related U.S. Application Data

(62) Division of application No. 29/235,324, filed on Jul. 29, 2005.

(51) **LOC (8) Cl.** **12-06**

(52) **U.S. Cl.** **D12/223**

(58) **Field of Classification Search** D12/110,
D12/114, 184–186, 190, 193; 280/152.1,
280/152.2, 152.3, 160.1, 770, 304.3, 854,
280/847–852; D26/34; 293/1, 142, 105; 362/473–476,
362/549

See application file for complete search history.

(56) **References Cited**

U.S. PATENT DOCUMENTS

3,828,178	A	8/1974	Bickel	240/7.1 R
4,422,659	A	12/1983	Nebu	280/152.1
4,790,087	A	12/1988	Hamada	40/204
4,958,451	A	9/1990	Iwakura	40/204
5,173,653	A	12/1992	Hochstein	320/13
6,053,626	A	4/2000	Zagrodnik	362/473
6,099,151	A	8/2000	Tlustos	362/473
6,135,624	A	10/2000	Masters	362/432
6,152,585	A	11/2000	Barry	362/473
6,478,458	B2	11/2002	Hickman	362/473
D523,802	S *	6/2006	Reimitz	D12/223

OTHER PUBLICATIONS

Website, <http://www.competitionwerkes.com/CompetitionWerkesFenderEliminator,FenderEnclosuresandfenderconfersions.p.1of1,Apr.19,2004>.

Website, http://www.competitionwerkes.com/Catalog/fender_eliminator-_yamaha_20092_produc..., Fender eliminators—Yamaha List p. 1–3, Apr. 19, 2004.

Website, http://www.twobros.com/Perf_Products/Body-work/Fender-Eli.shtm, Two Brothers Racing :: Performance Products, p. 1–3, Apr. 19, 2004.

Website, <http://www.hardracing.com/FEKit.htm>, Fender Eliminator Kits, p. 1–19, Apr. 19, 2004.

* cited by examiner

Primary Examiner—Alan P. Douglas

Assistant Examiner—Linda Brooks

(74) *Attorney, Agent, or Firm*—Brian S. Steinberger; Law Offices of Brian S. Steinberger, P.A.

(57) **CLAIM**

The ornamental design for a motorcycle bracket for mounting license plates and turn signal lights, as shown and described.

DESCRIPTION

FIG. 1 is a front lower left perspective view of a design of the motorcycle bracket for mounting license plates and turn signal lights, with a top rectangular plate, rectangular middle plate, and bottom plate for mounting a license plate, and oval hanging edge flanges for mounting turn signal lights.

FIG. 2 is a rear perspective view of FIG. 2.

FIG. 3 is a right side view of FIG. 1.

FIG. 4 is a rear perspective view as seen from directional arrows 4—4 in FIG. 3.

FIG. 5 is a left side view of FIG. 1.

FIG. 6 is an upper rear perspective rear view as seen from directional arrows 6—6 in FIG. 5.

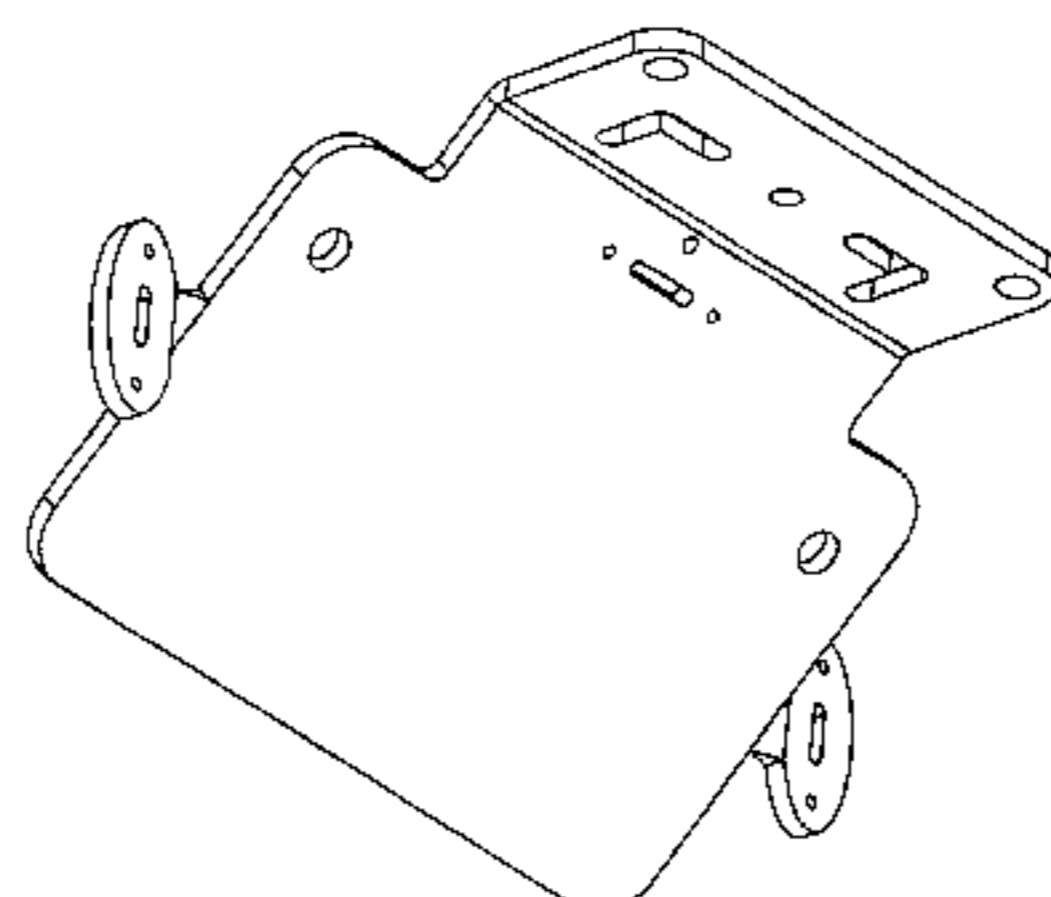
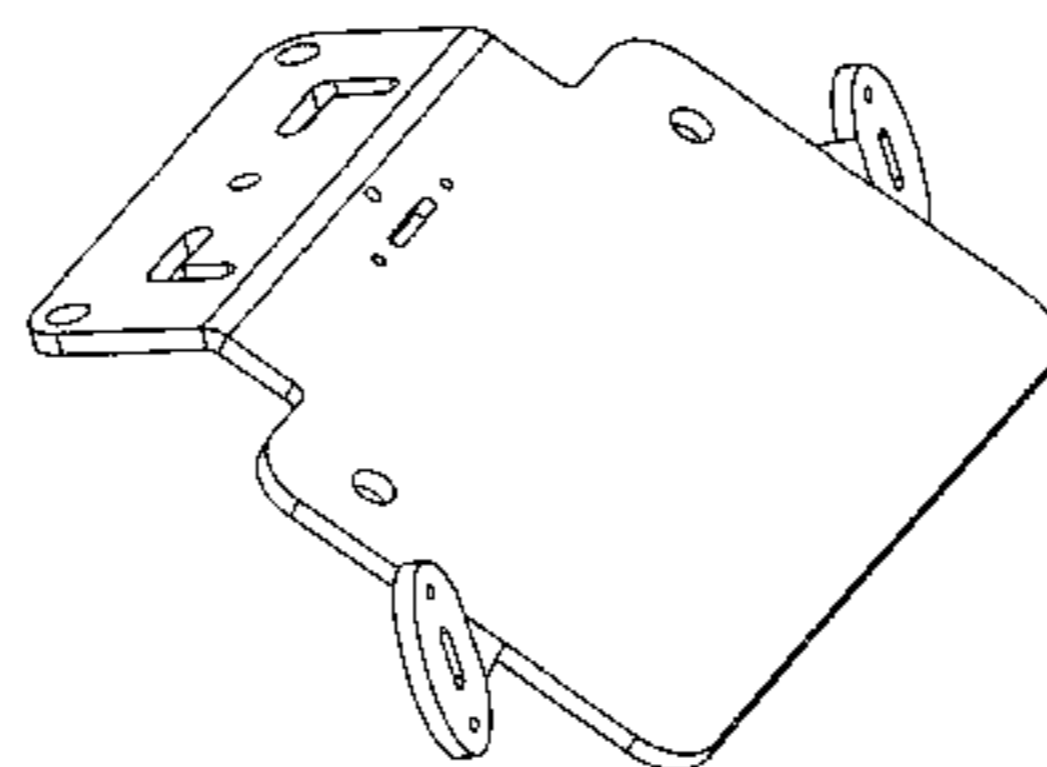
FIG. 7 is a front perspective view of FIG. 1.

FIG. 8 is a rear perspective view of FIG. 1.

FIG. 9 is an upper end perspective view as seen from directional arrows 9—9 in FIG. 7; and,

FIG. 10 is an upper end perspective view as seen from directional arrows 10—10 in FIG. 8.

1 Claim, 5 Drawing Sheets



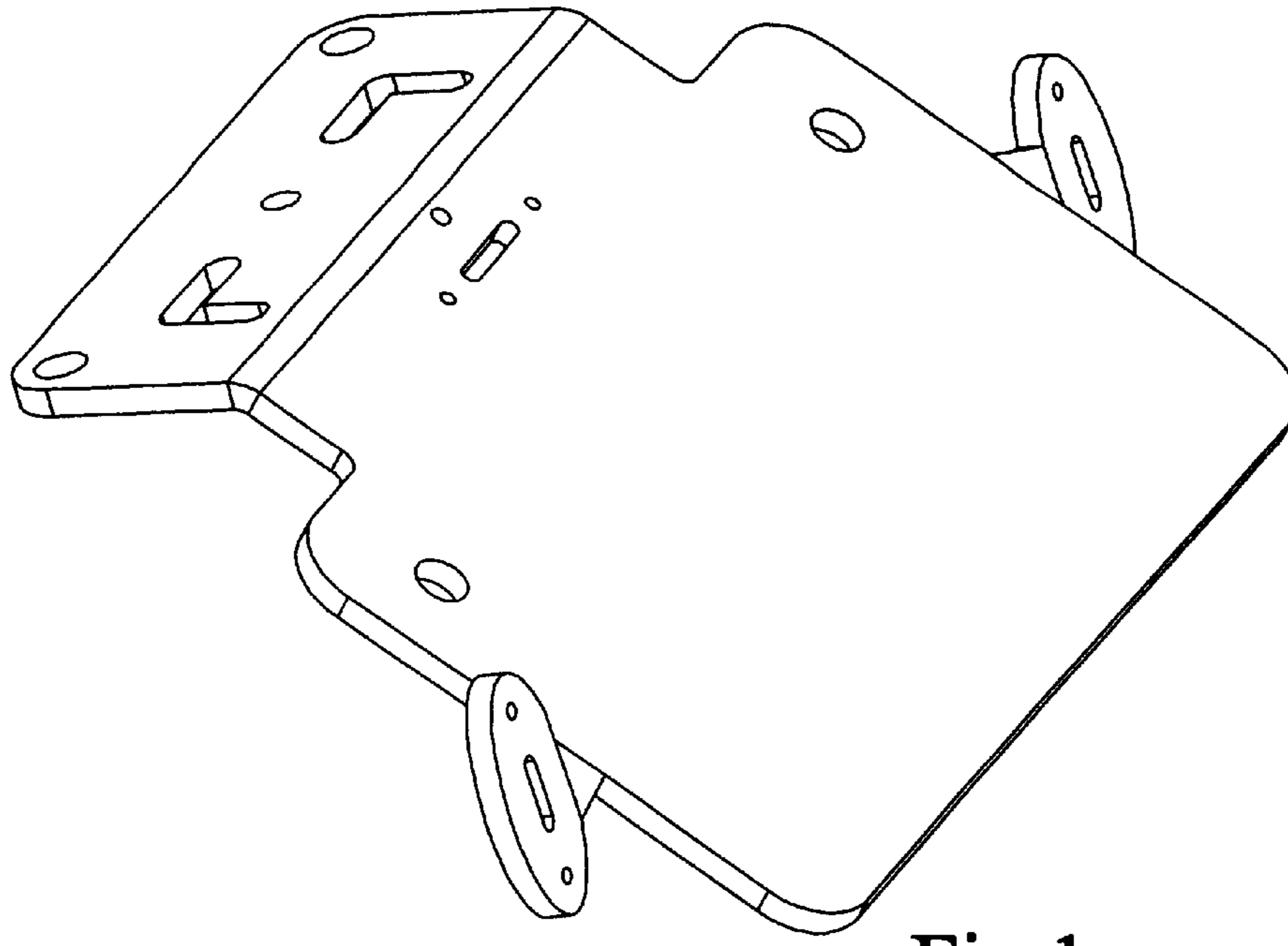


Fig. 1

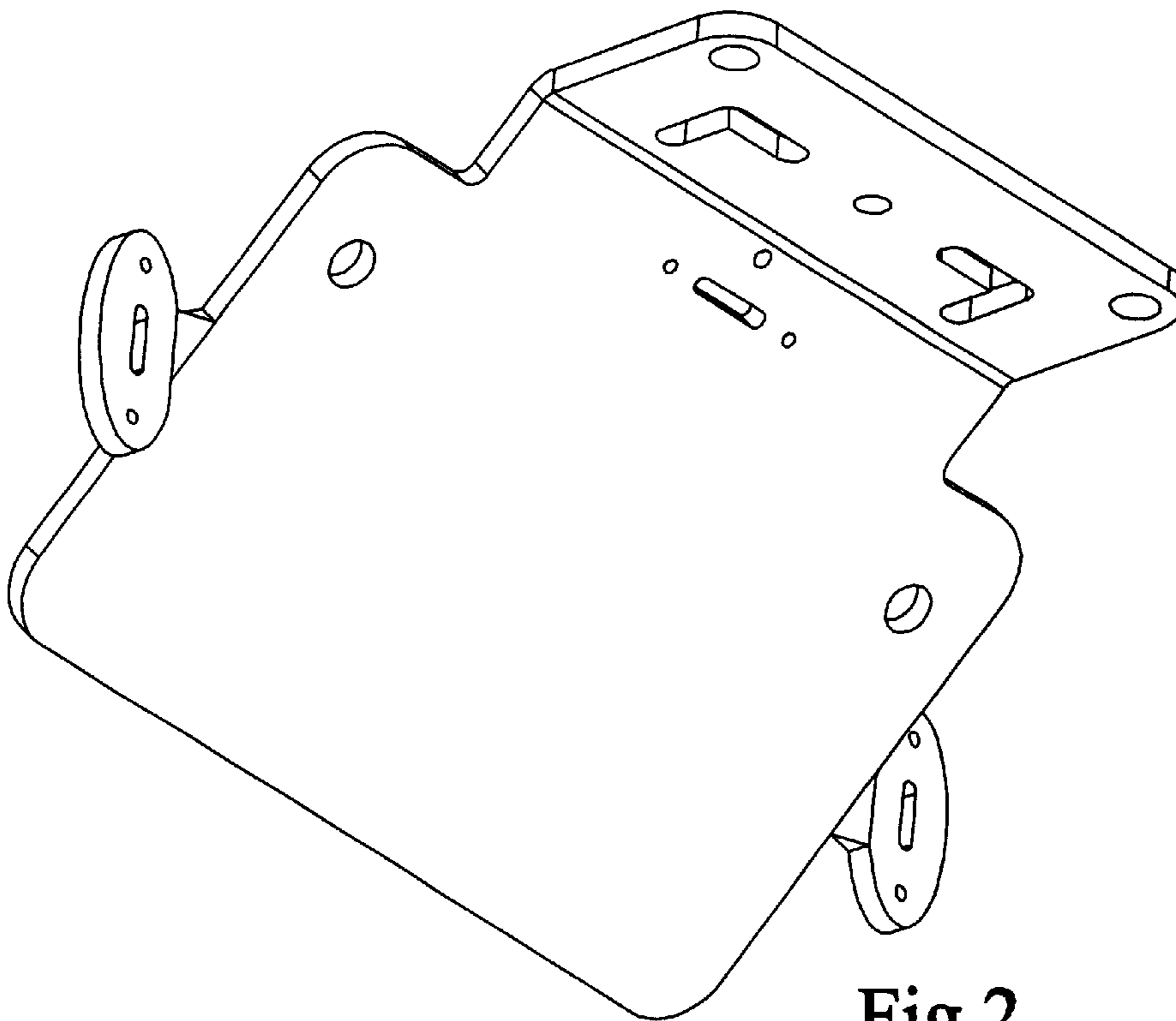


Fig. 2

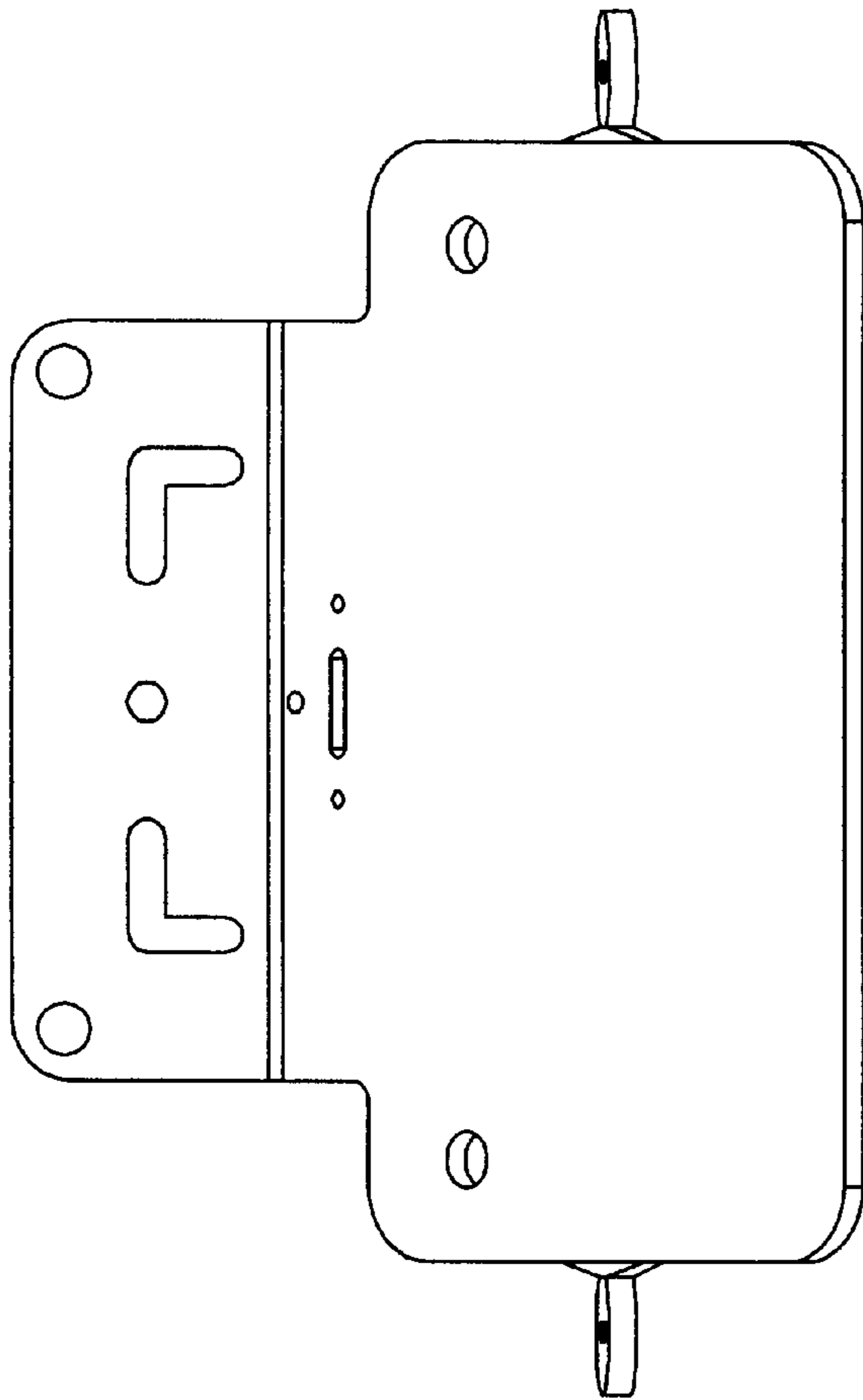


Fig.4

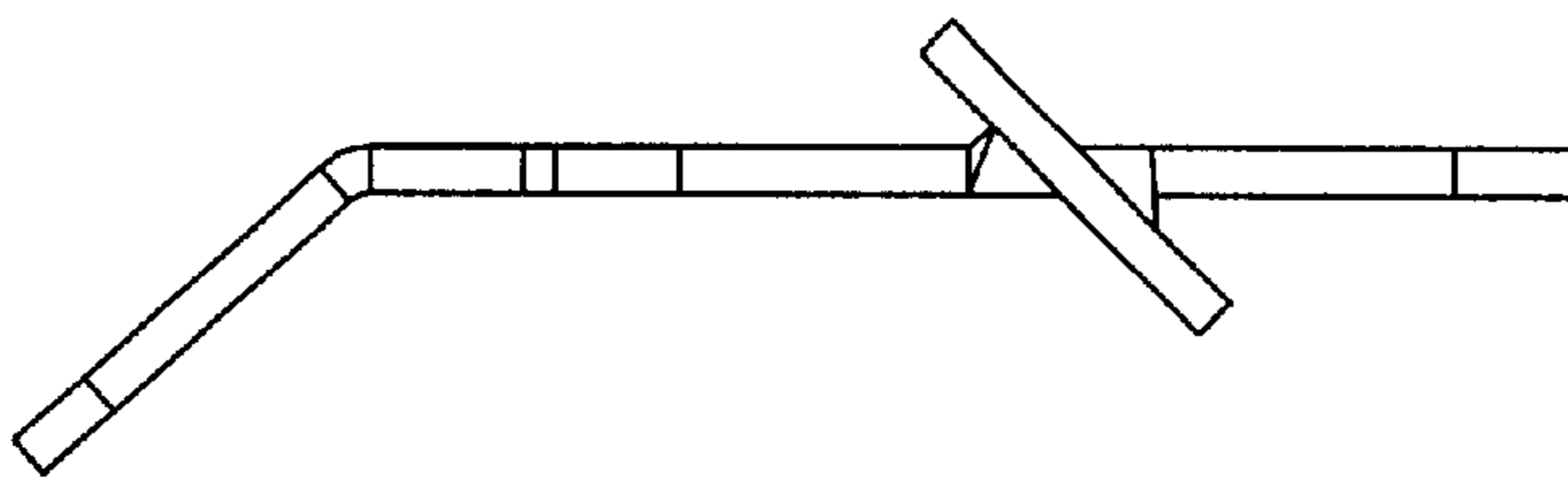
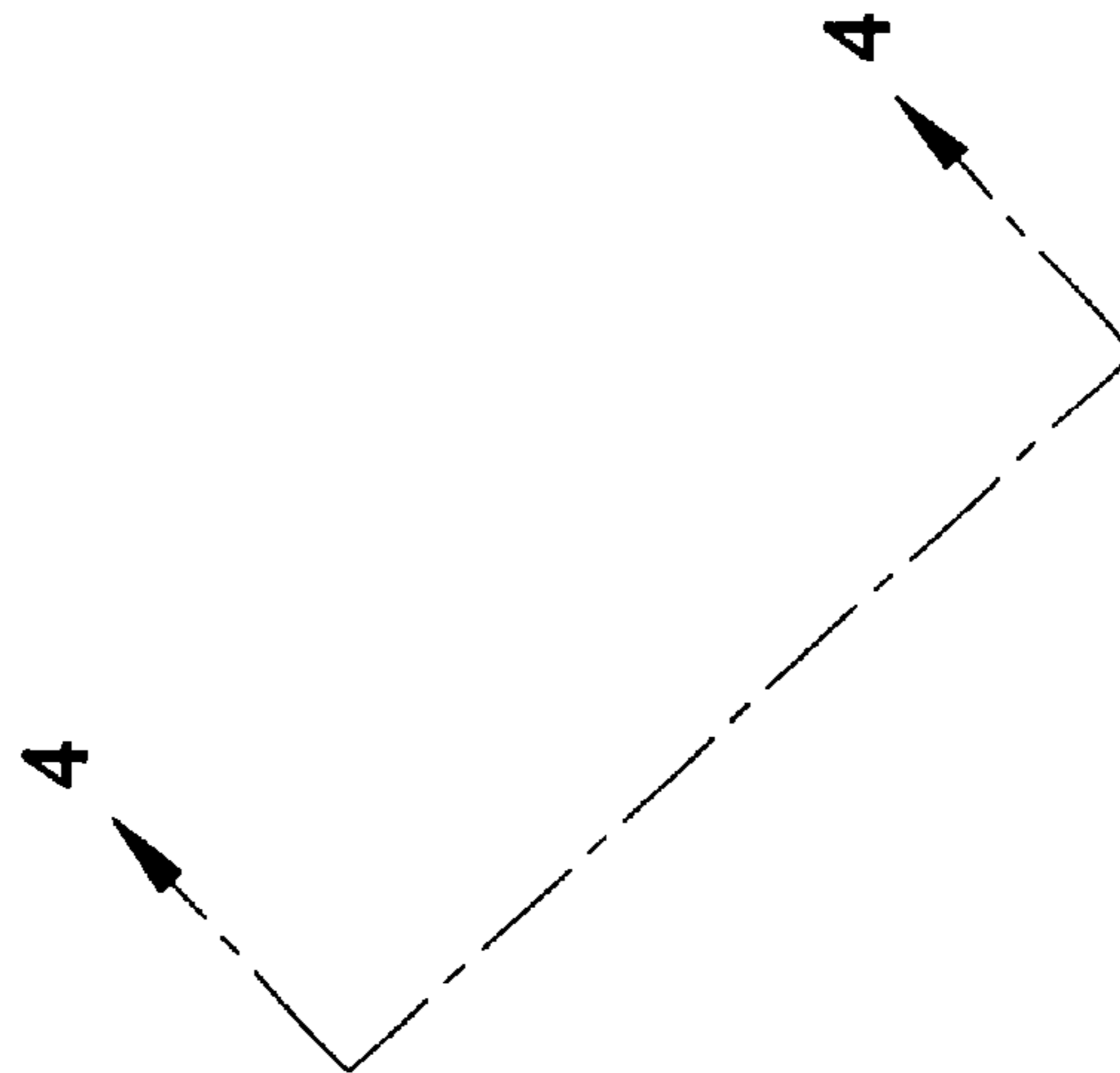


Fig.3



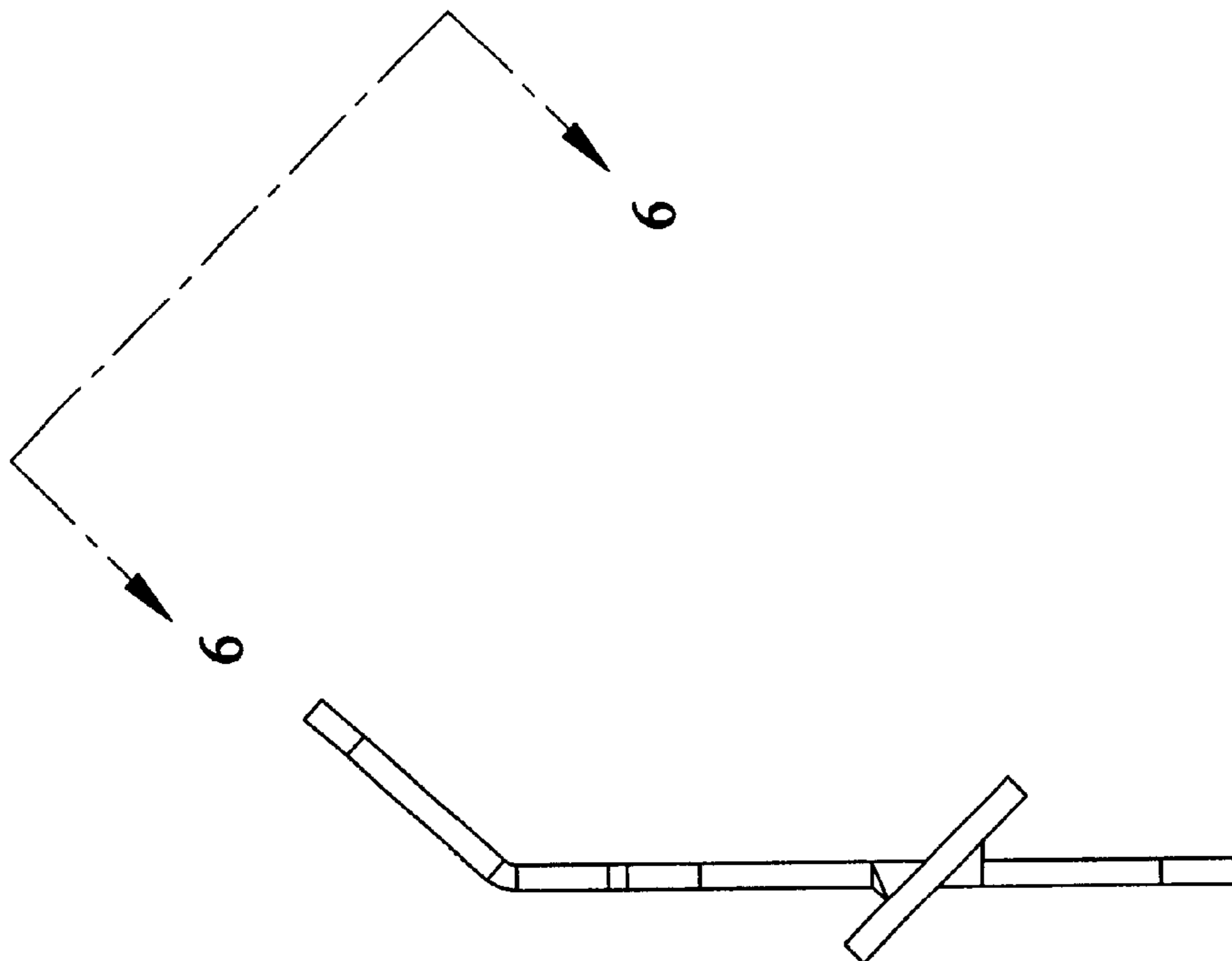


Fig. 5

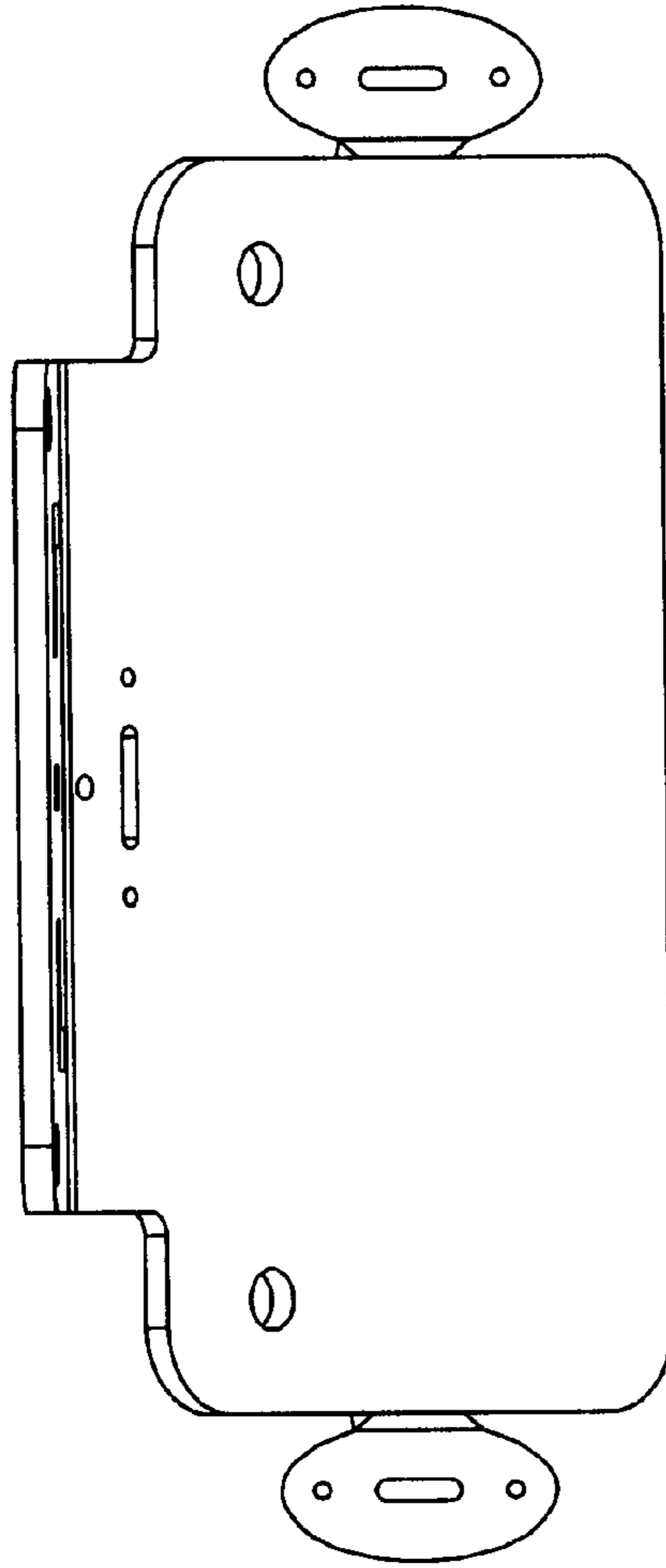


Fig. 6

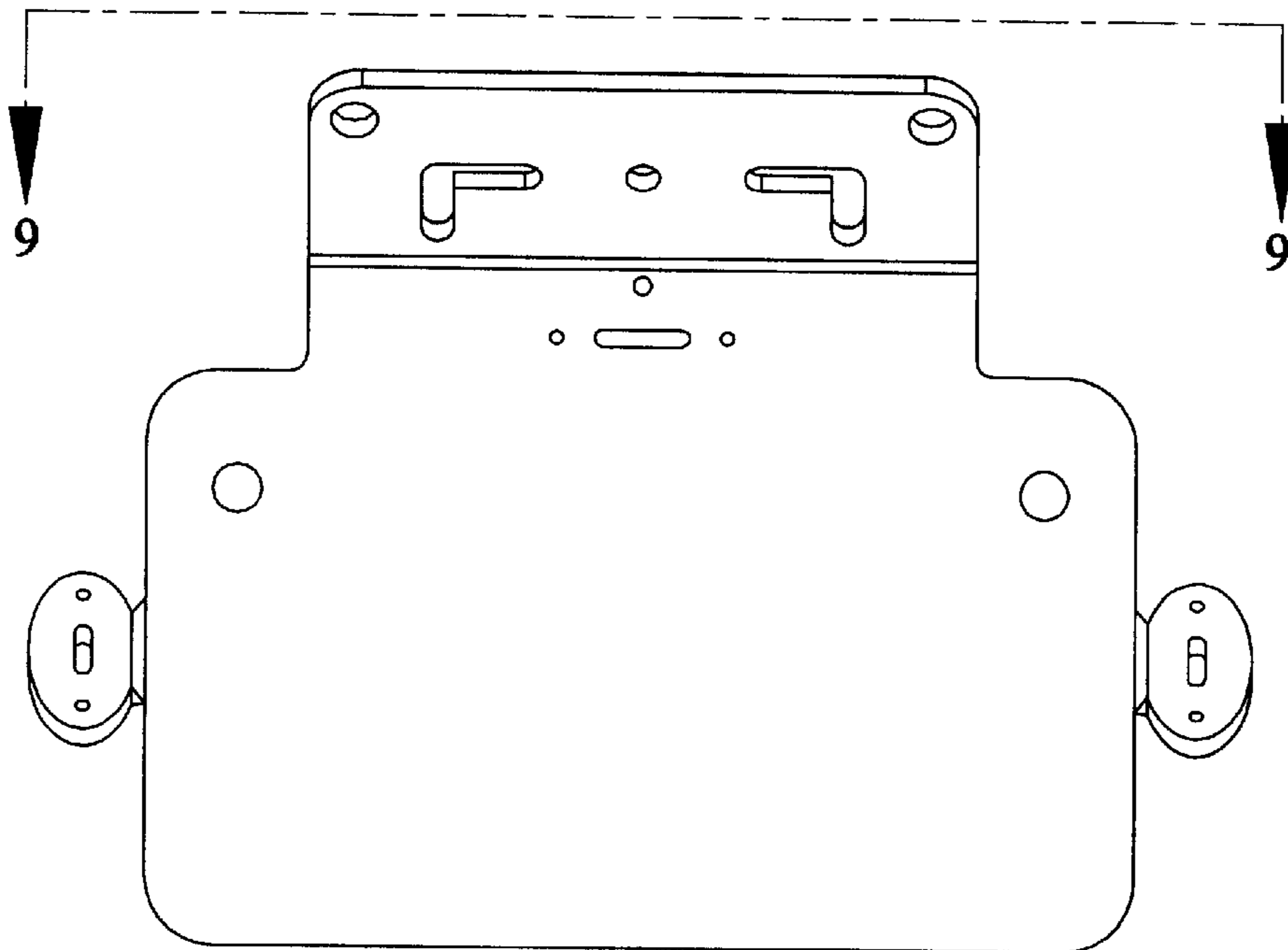


Fig.7

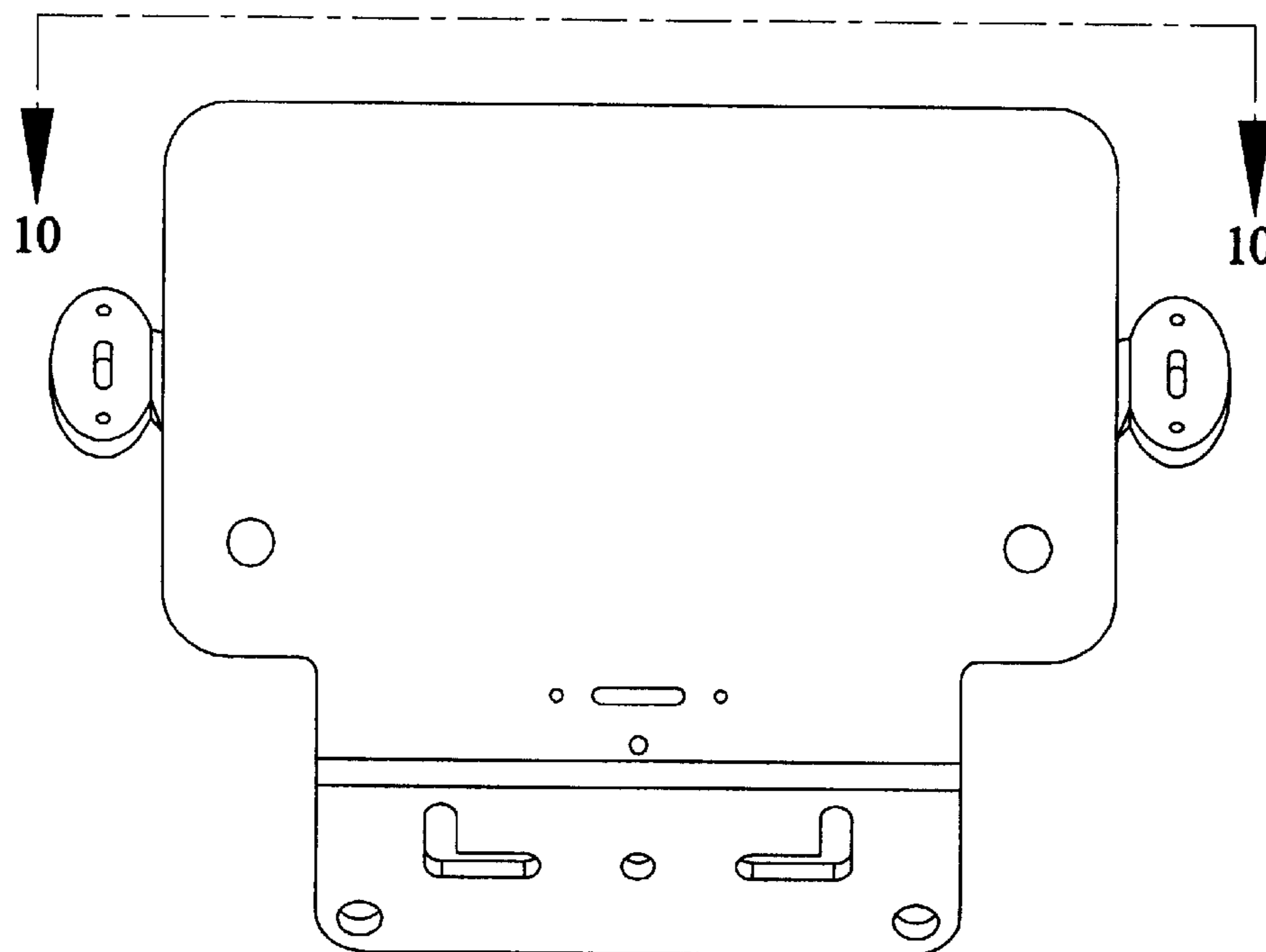


Fig.8

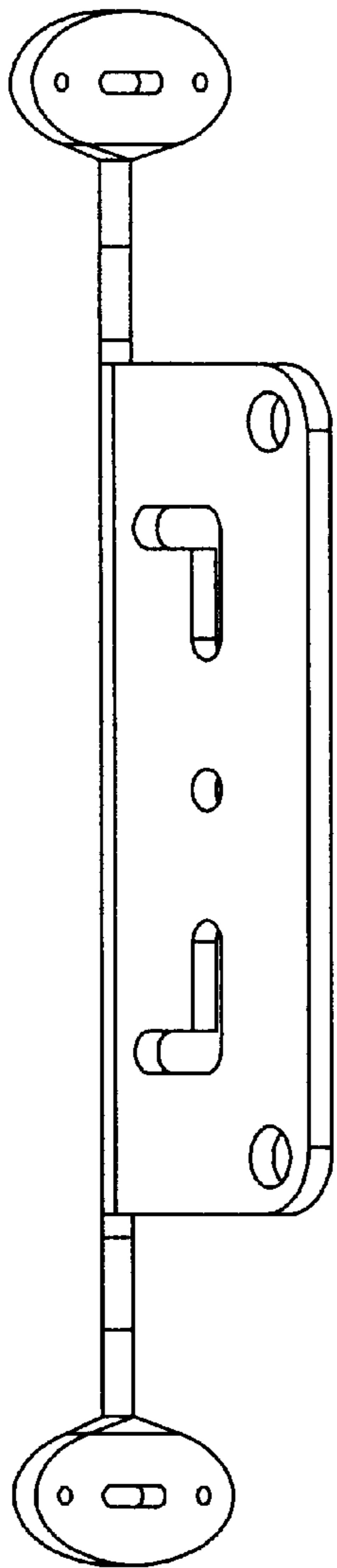


Fig. 9

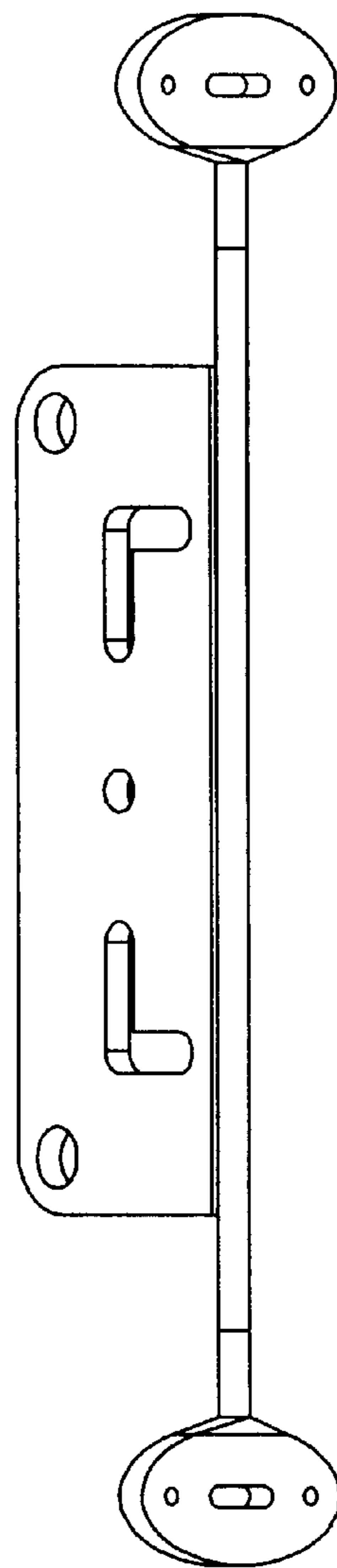


Fig. 10