



US00D539206S

(12) **United States Design Patent**
Park

(10) **Patent No.:** **US D539,206 S**

(45) **Date of Patent:** **** Mar. 27, 2007**

(54) **WIPER BLADE FOR CAR**

(76) **Inventor:** **Se-Heon Park**, 406-203 Saetbyeol
maeul, Bundang-dong 39, Bundang-gu,
Seongnam-si, Gyeonggi-do (KR)

(**) **Term:** **14 Years**

(21) **Appl. No.:** **29/245,193**

(22) **Filed:** **Dec. 21, 2005**

(30) **Foreign Application Priority Data**

Nov. 2, 2005 (KR) 30-2005-0036878

(51) **LOC (8) Cl.** **12-06**

(52) **U.S. Cl.** **D12/219**

(58) **Field of Classification Search** D12/219-220;
15/250.31-250.33, 250.351, 250.38, 250.4,
15/250.41-44, 250.201, 250.451-250.458,
15/250.48, 250.04, 250.07, 250.44

See application file for complete search history.

(56) **References Cited**

U.S. PATENT DOCUMENTS

D334,910 S	*	4/1993	Lee	D12/220
D347,610 S	*	6/1994	Charet et al.	D12/219
D370,199 S	*	5/1996	Kim	D12/219
D370,653 S	*	6/1996	Kim	D12/219
D370,654 S	*	6/1996	Kim	D12/219
D372,012 S	*	7/1996	Fitzgerald et al.	D12/219
D378,365 S	*	3/1997	Fitzgerald et al.	D12/219
D390,823 S	*	2/1998	Baranowski et al.	D12/220
D398,281 S	*	9/1998	Juran et al.	D12/219

D406,257 S	*	3/1999	Lee	D12/219
D442,537 S	*	5/2001	Kim	D12/219
D443,245 S	*	6/2001	Kim	D12/219
D464,012 S	*	10/2002	Hussaini et al.	D12/219
D472,510 S	*	4/2003	Lin	D12/219
D487,047 S	*	2/2004	Kim	D12/219
D490,763 S	*	6/2004	Kim	D12/219
D494,527 S	*	8/2004	Hsu	D12/219
D501,819 S	*	2/2005	Hsu	D12/219
D508,226 S	*	8/2005	Lin	D12/219

* cited by examiner

Primary Examiner—Stacia Cadmus

(74) *Attorney, Agent, or Firm*—Mayer Brown Rowe & Maw LLP

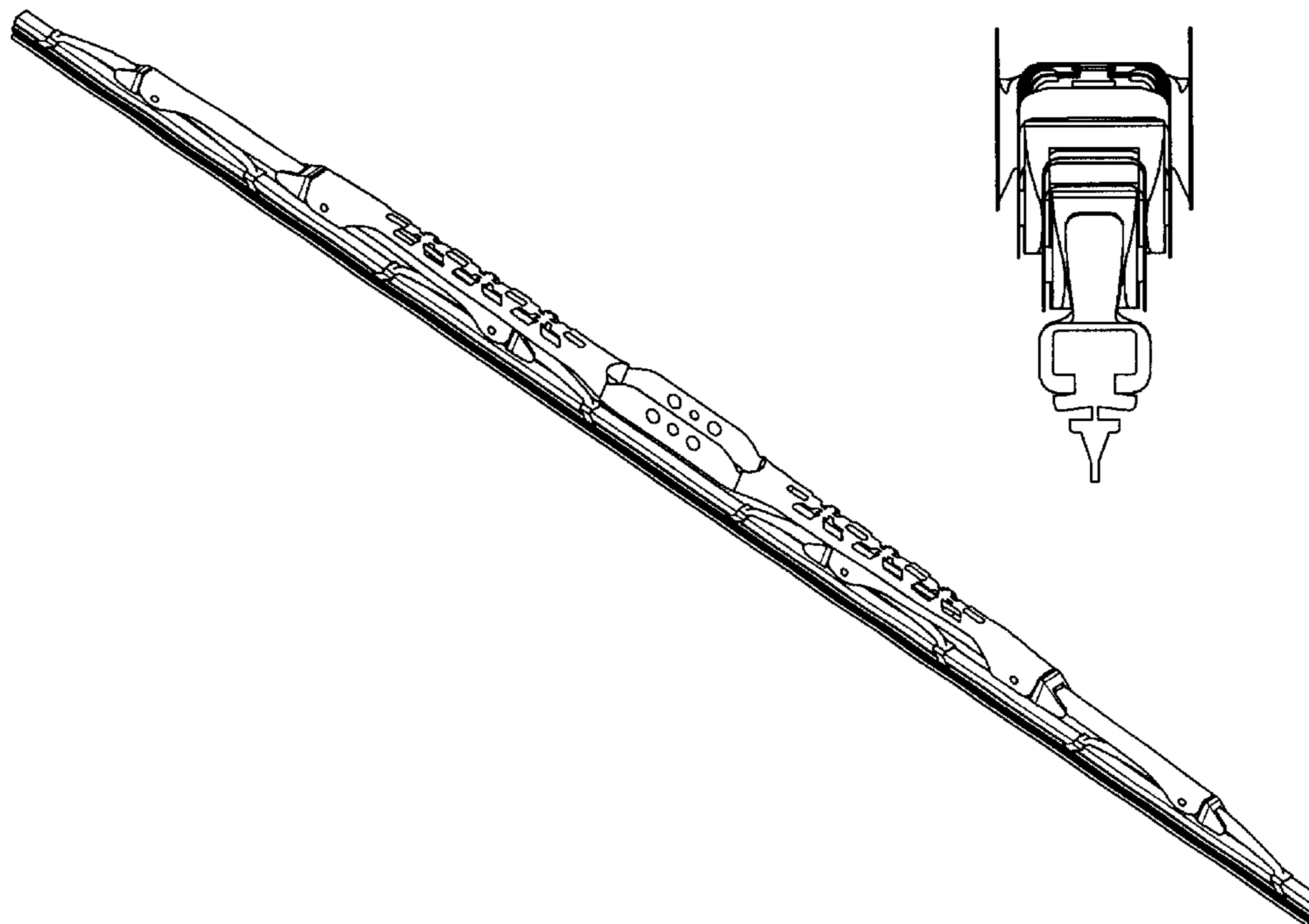
(57) **CLAIM**

The ornamental design for a wiper blade for a car, as shown and described.

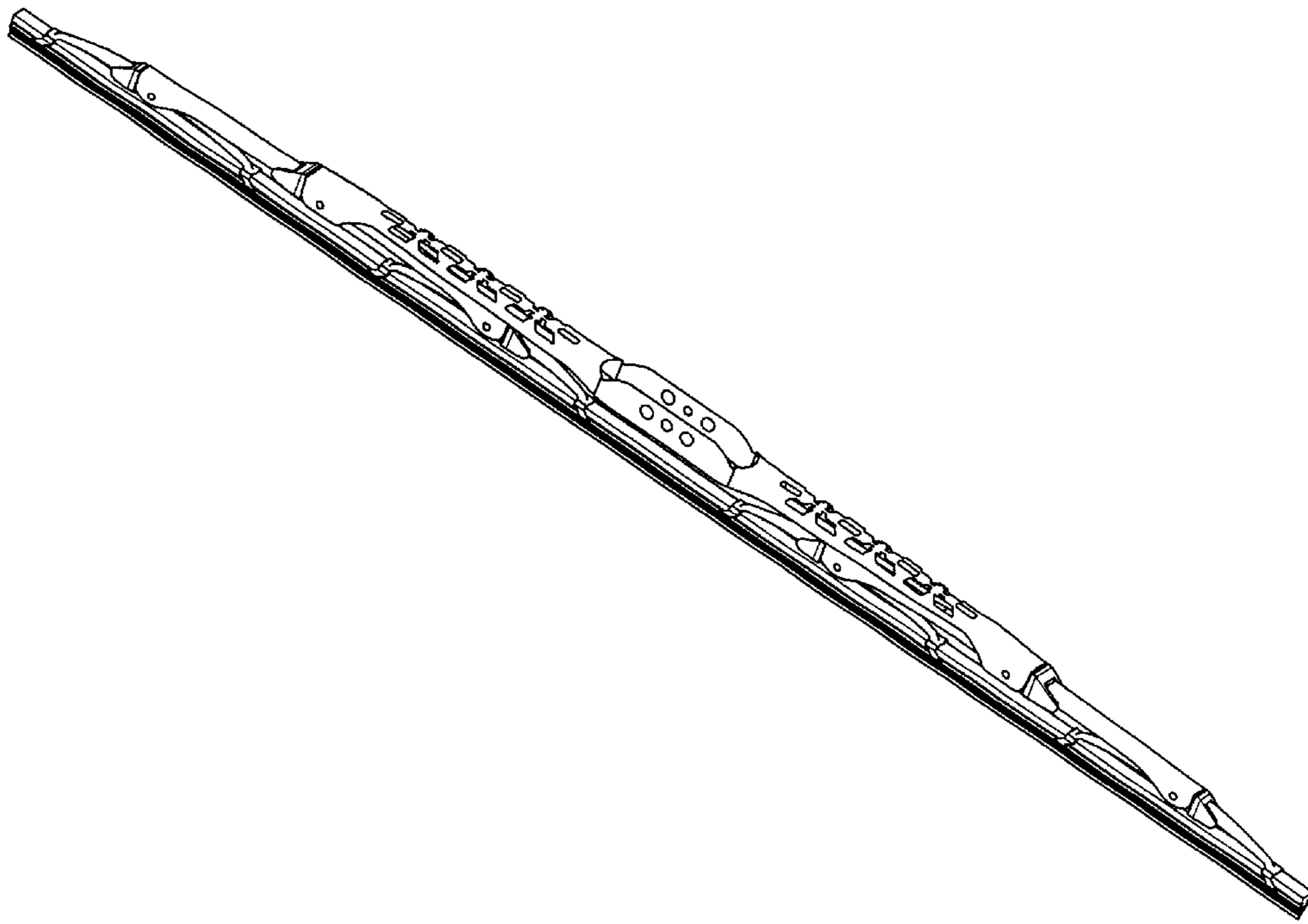
DESCRIPTION

FIG. 1 is a perspective view of a wiper blade for a car, showing my new design;
FIG. 2 is a front elevational view thereof;
FIG. 3 is a rear elevational view thereof;
FIG. 4 is a left side elevational view thereof;
FIG. 5 is a right side elevational view thereof;
FIG. 6 is a top plan view thereof;
FIG. 7 is a bottom plan view thereof; and
FIG. 8 is a enlarged view of FIG. 4; and,
FIG. 9 is a enlarged view of FIG. 7.

1 Claim, 3 Drawing Sheets



【FIG. 1】



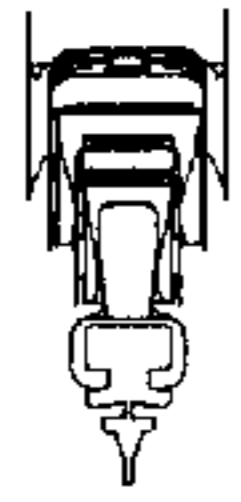
【FIG. 2】



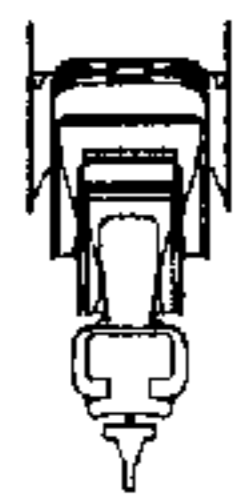
【FIG. 3】



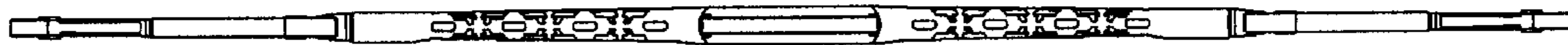
【FIG. 4】



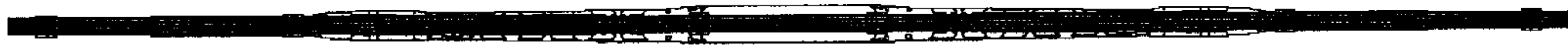
【FIG. 5】



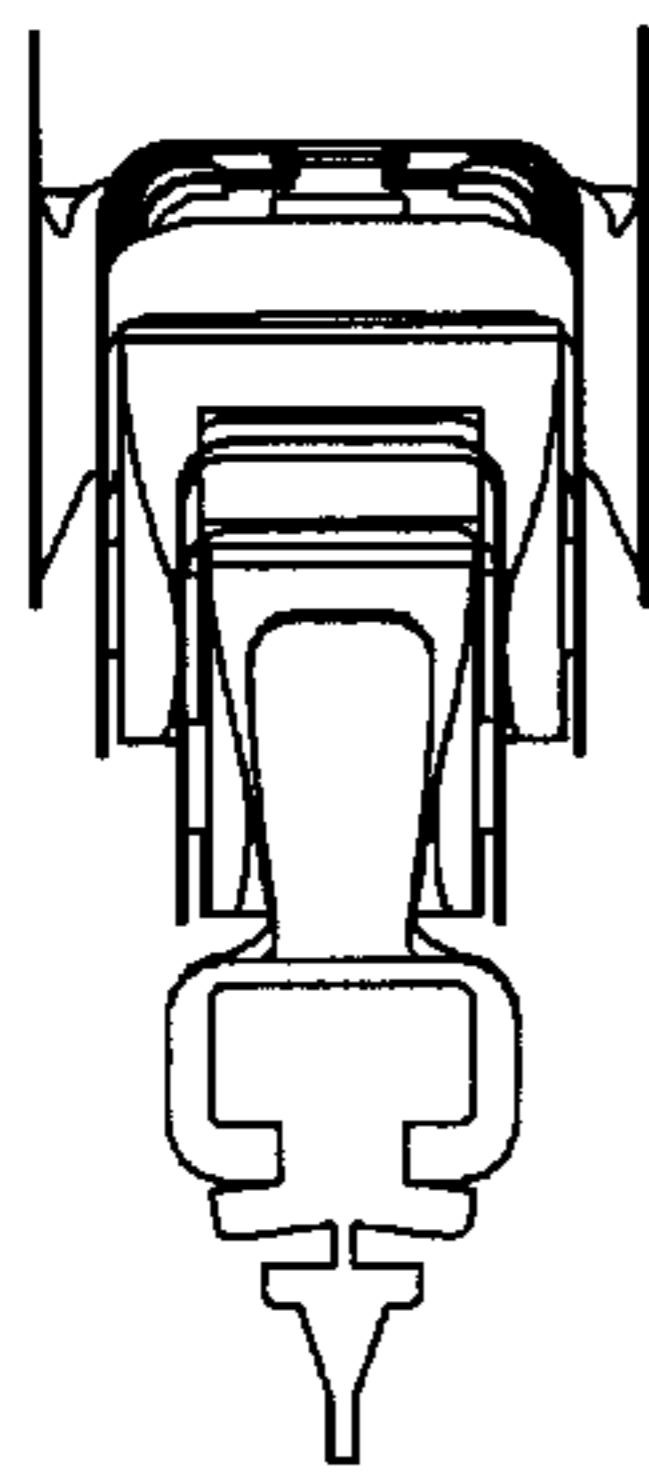
【FIG. 6】



【FIG. 7】



【 FIG. 8】



【 FIG. 9】

