



US00D539205S

(12) **United States Design Patent**
Hosoi

(10) **Patent No.:** **US D539,205 S**

(45) **Date of Patent:** **** Mar. 27, 2007**

(54) **WHEEL**

(75) **Inventor:** **Kazuhisa Hosoi, Aichi-ken (JP)**

(73) **Assignee:** **Kosei Aluminum Co., Ltd.**

(**) **Term:** **14 Years**

(21) **Appl. No.:** **29/229,390**

(22) **Filed:** **May 6, 2005**

(51) **LOC (8) Cl.** **12-16**

(52) **U.S. Cl.** **D12/211**

(58) **Field of Classification Search** D12/204–213;
301/37.101, 64.101, 65

See application file for complete search history.

(56) **References Cited**

U.S. PATENT DOCUMENTS

D419,942 S	*	2/2000	Lampkin	D12/209
D444,759 S	*	7/2001	Hartl	D12/211
D451,461 S	*	12/2001	Arellano	D12/209
D460,396 S	*	7/2002	Kember et al.	D12/209
D484,084 S	*	12/2003	Tai	D12/211
D485,524 S	*	1/2004	Bhambra	D12/209
D491,124 S	*	6/2004	Rice	D12/209
D491,873 S	*	6/2004	Markefka	D12/211
D494,122 S	*	8/2004	Sands	D12/209

D516,484 S	*	3/2006	Koch	D12/209
D522,435 S	*	6/2006	Long	D12/209
D526,946 S	*	8/2006	Takechi	D12/209

OTHER PUBLICATIONS

Kosei Company Profile—Working in Harmony with the Environment—circa. 2003.

* cited by examiner

Primary Examiner—Stacia Cadmus

(74) *Attorney, Agent, or Firm*—Cook, Alex, McFarron, Manzo, Cummings & Mehler Ltd.

(57) **CLAIM**

The ornamental design for a wheel, as shown and described.

DESCRIPTION

FIG. 1 is a perspective view of a wheel, showing my new design;

FIG. 2 is a front view thereof;

FIG. 3 is a perspective view of a second embodiment of the wheel; and,

FIG. 4 is a front view of FIG. 3.

The broken line showing of environment is for illustrative purposes only and forms no part of the claimed design.

1 Claim, 4 Drawing Sheets

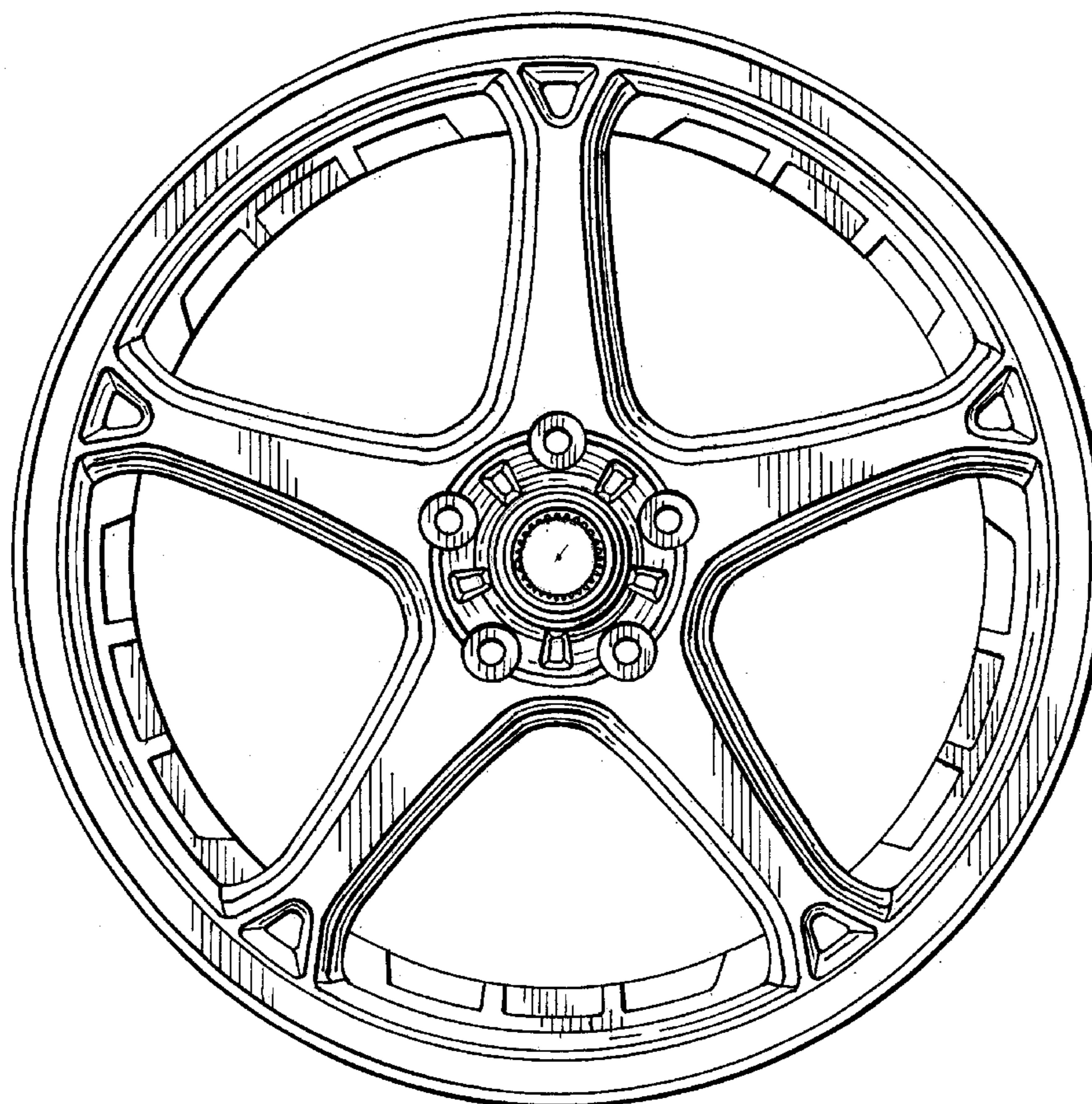


FIG. 1

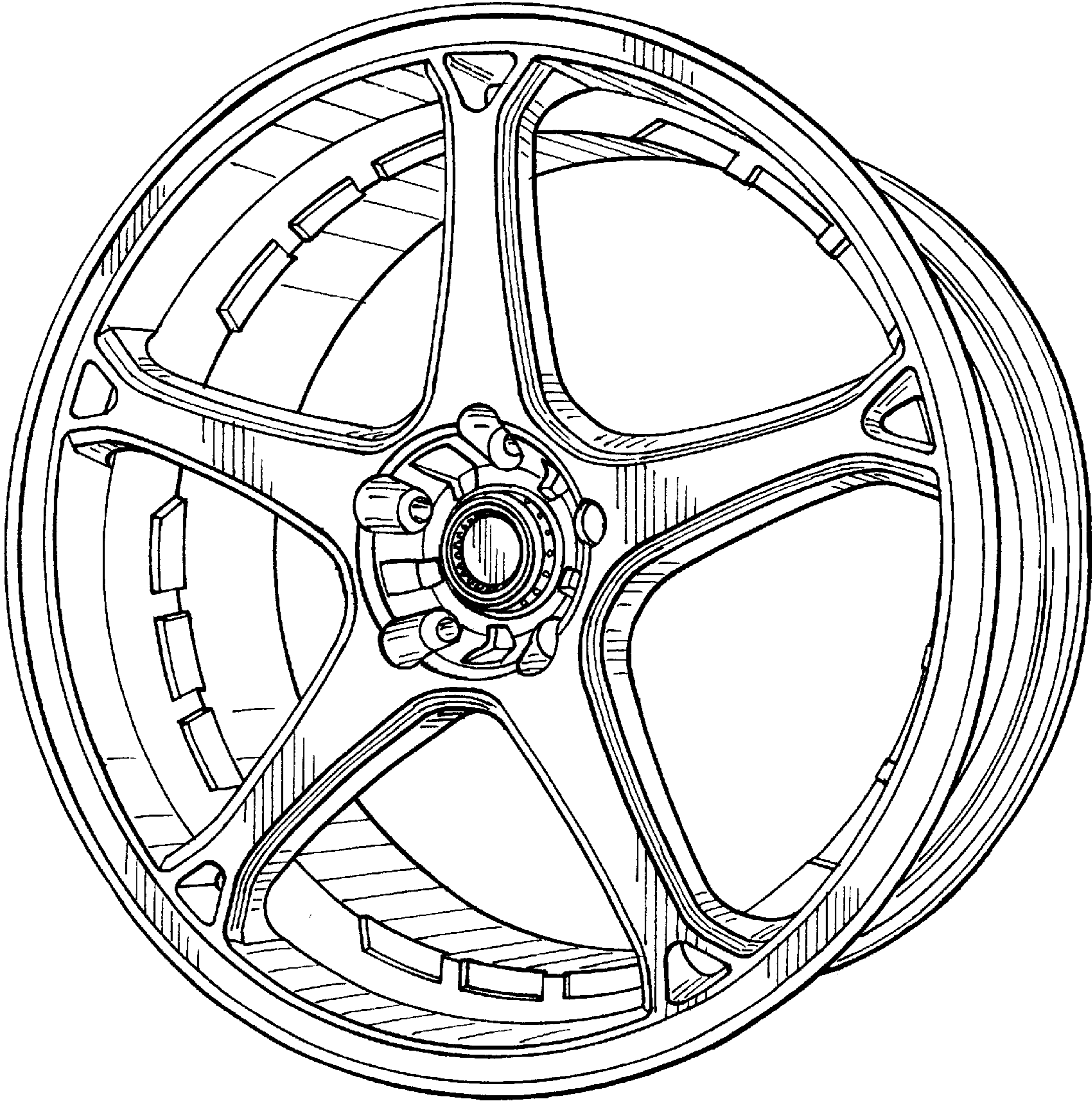


FIG.2

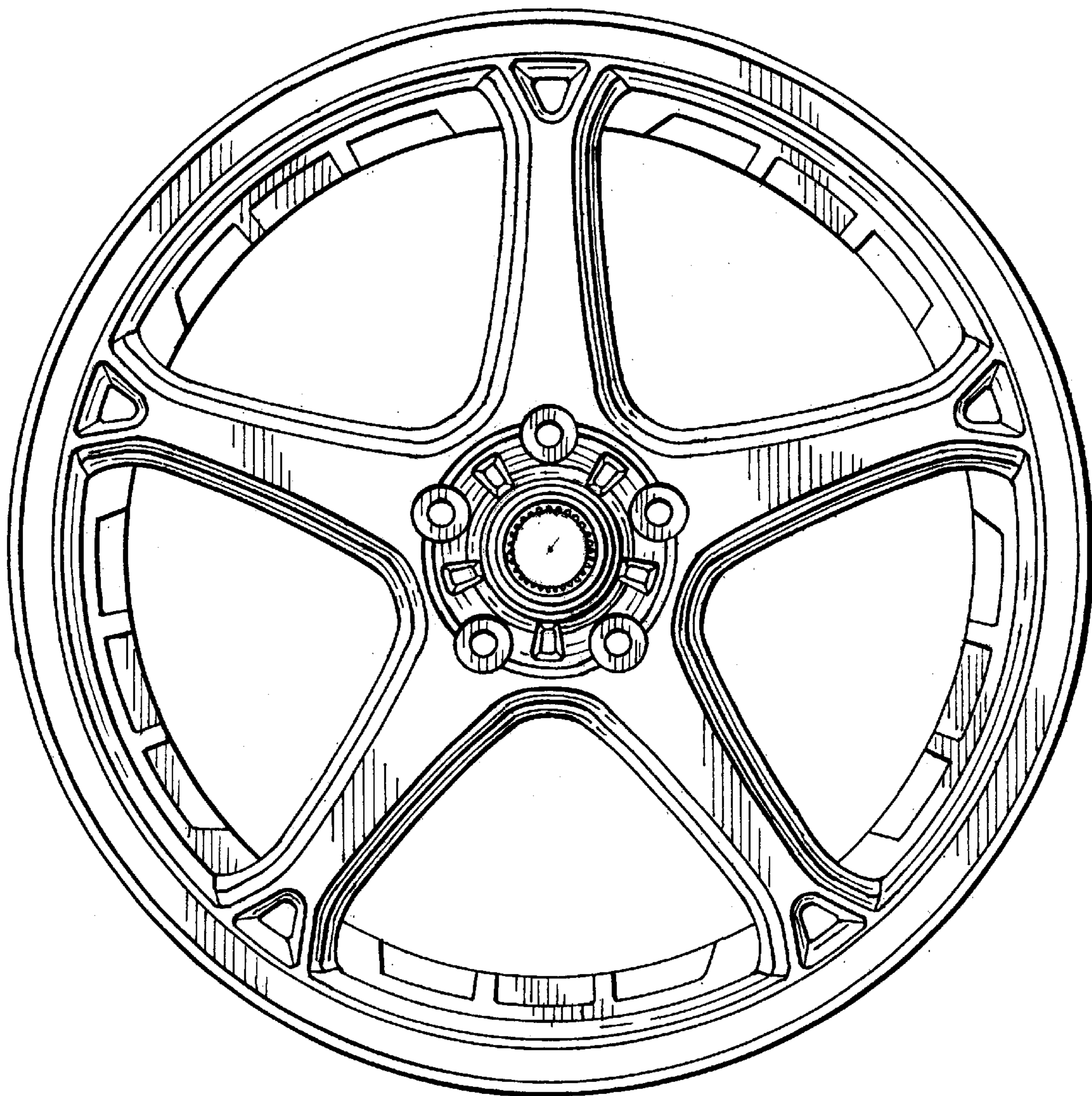


FIG.3

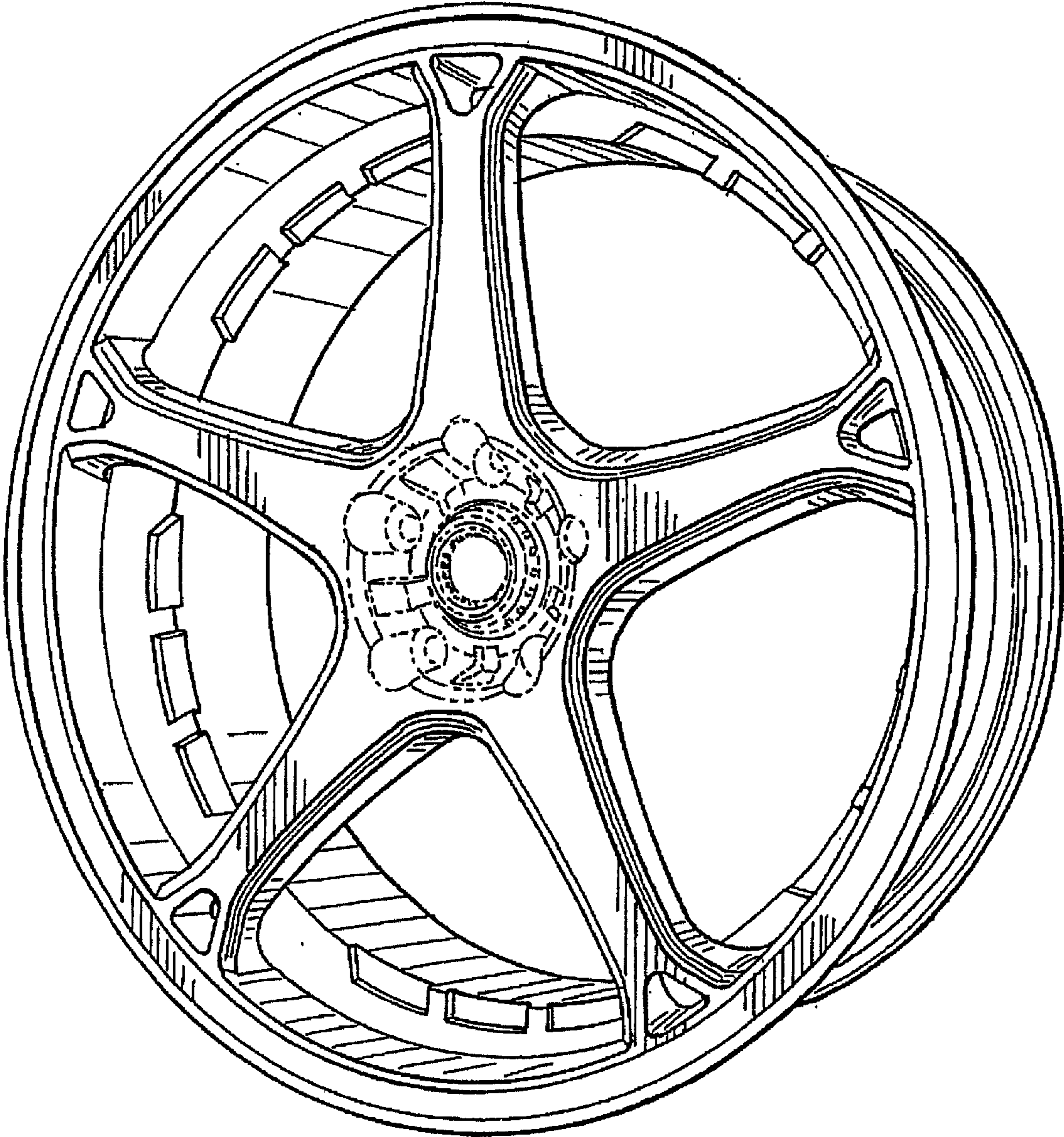


FIG.4

