



US00D539204S

(12) **United States Design Patent**
Pollmann

(10) **Patent No.:** **US D539,204 S**

(45) **Date of Patent:** **** Mar. 27, 2007**

(54) **FRONT FACE OF VEHICLE WHEEL**

(75) Inventor: **Gert Pollmann**, Boehmfeld (DE)

(73) Assignee: **Bayerische Motoren Werke Aktiengesellschaft**, Munich (DE)

(**) Term: **14 Years**

(21) Appl. No.: **29/244,815**

(22) Filed: **Dec. 15, 2005**

(30) **Foreign Application Priority Data**

Jun. 16, 2005 (DE) 4 05 03 085

(51) **LOC (8) Cl.** **12-16**

(52) **U.S. Cl.** **D12/209**

(58) **Field of Classification Search** D12/204-213;
301/37.101, 64.101, 65

See application file for complete search history.

(56) **References Cited**

U.S. PATENT DOCUMENTS

D484,839 S * 1/2004 Scheu D12/209

D487,881 S * 3/2004 Laengerer D12/209

D488,420 S * 4/2004 Murkett et al. D12/209

D492,235 S * 6/2004 Nordmann D12/211

D522,433 S * 6/2006 Szavits D12/209

D522,434 S * 6/2006 Langer D12/209

FOREIGN PATENT DOCUMENTS

DE 40102098.3 6/2001

* cited by examiner

Primary Examiner—Stacia Cadmus

(74) *Attorney, Agent, or Firm*—Crowell & Moring LLP

(57) **CLAIM**

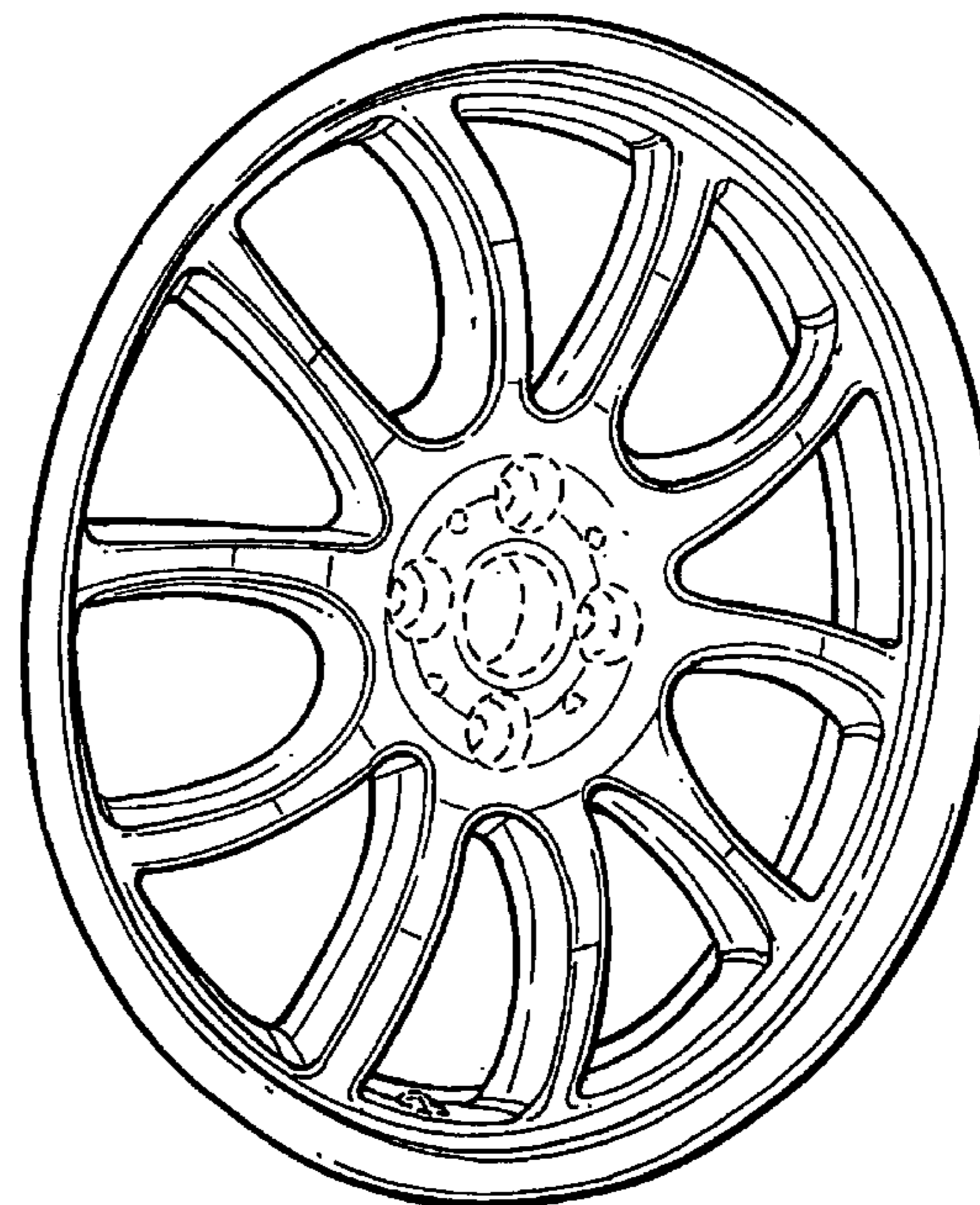
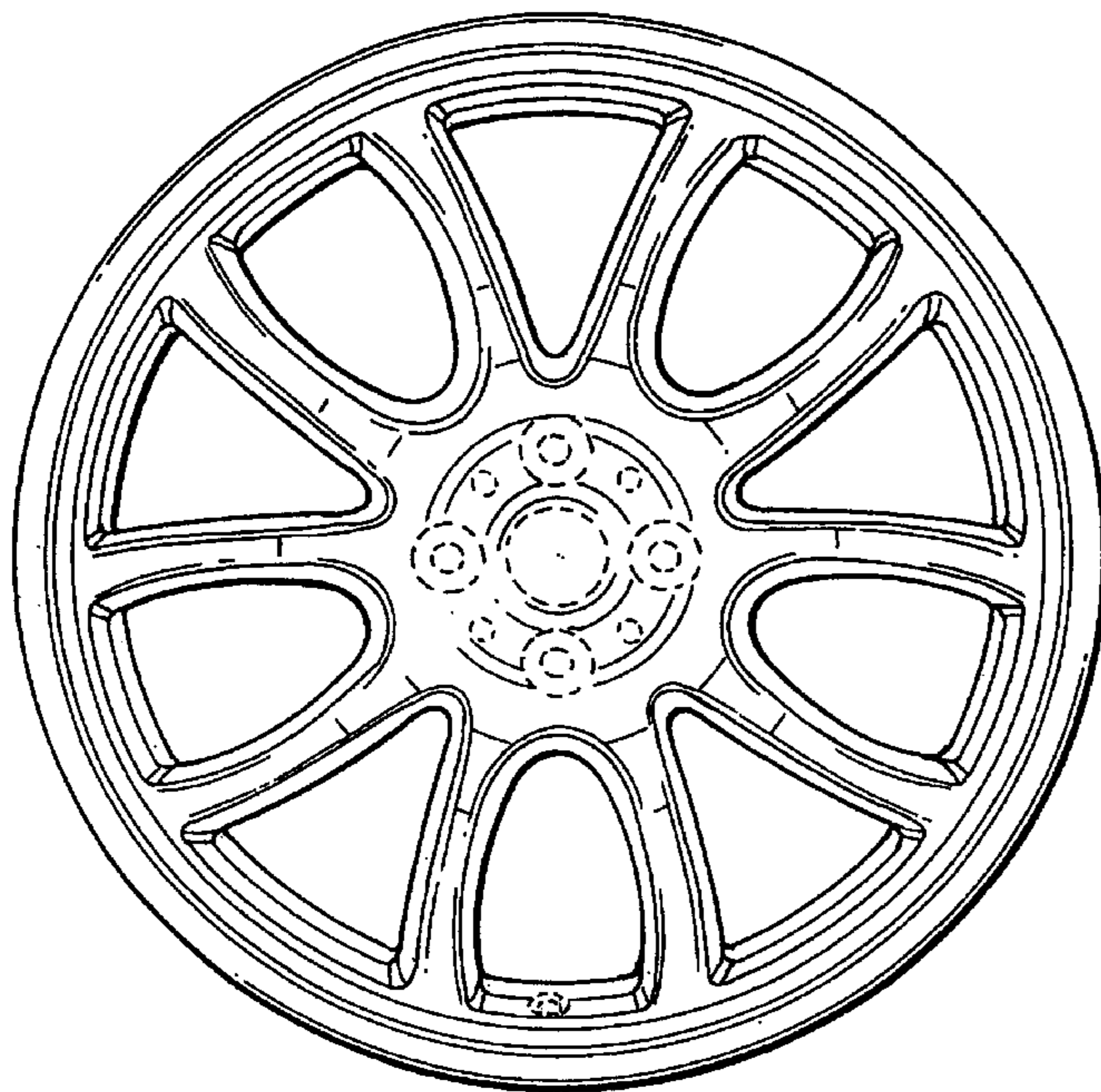
The ornamental design for a front face of a vehicle wheel, as shown and described.

DESCRIPTION

FIG. 1 is a front view of a front face of a vehicle wheel according to my novel design; and, FIG. 2 is a perspective view thereof.

The broken lines are for illustrative purposes only and form no part of the claimed design.

1 Claim, 1 Drawing Sheet



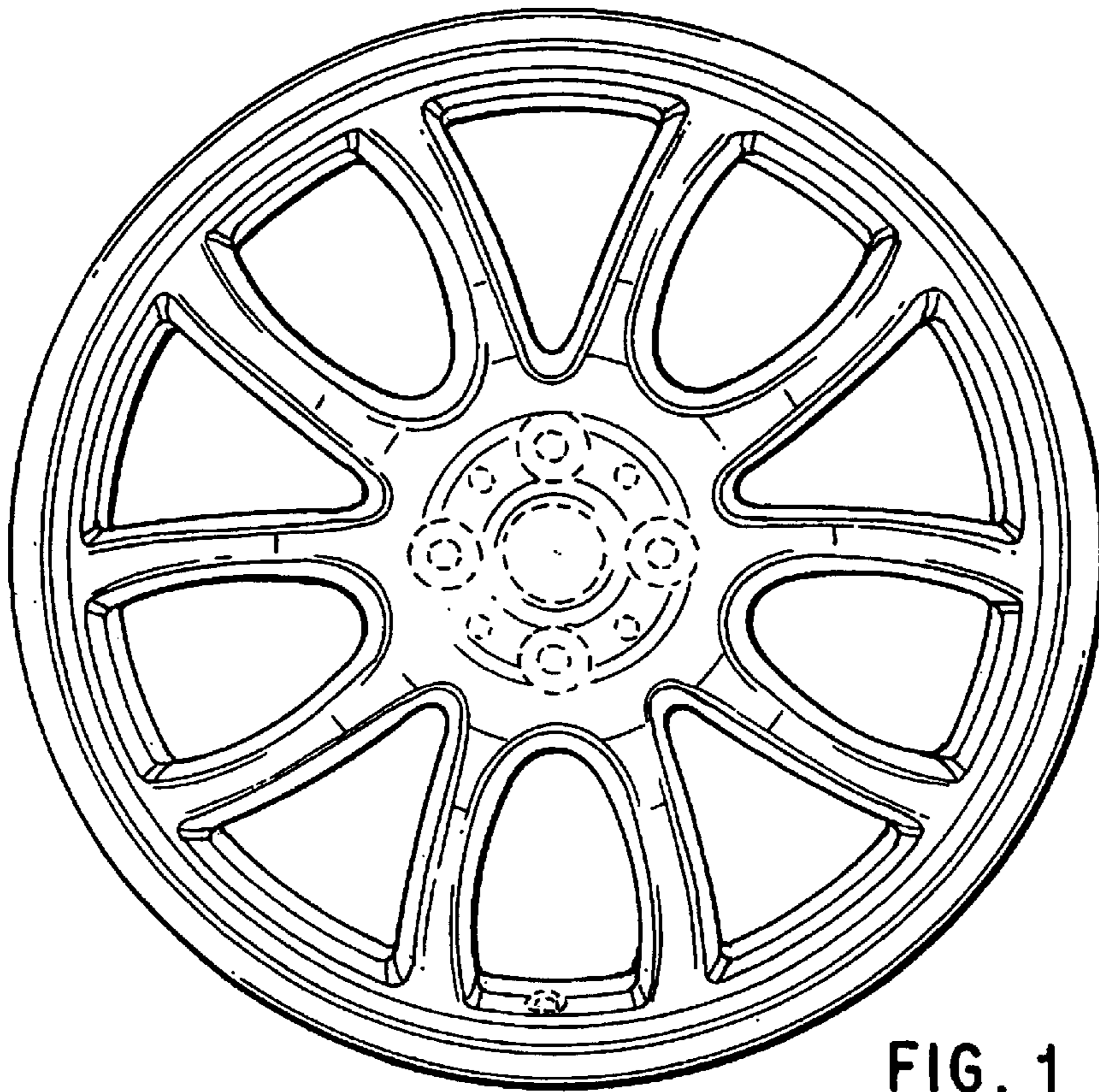


FIG. 1

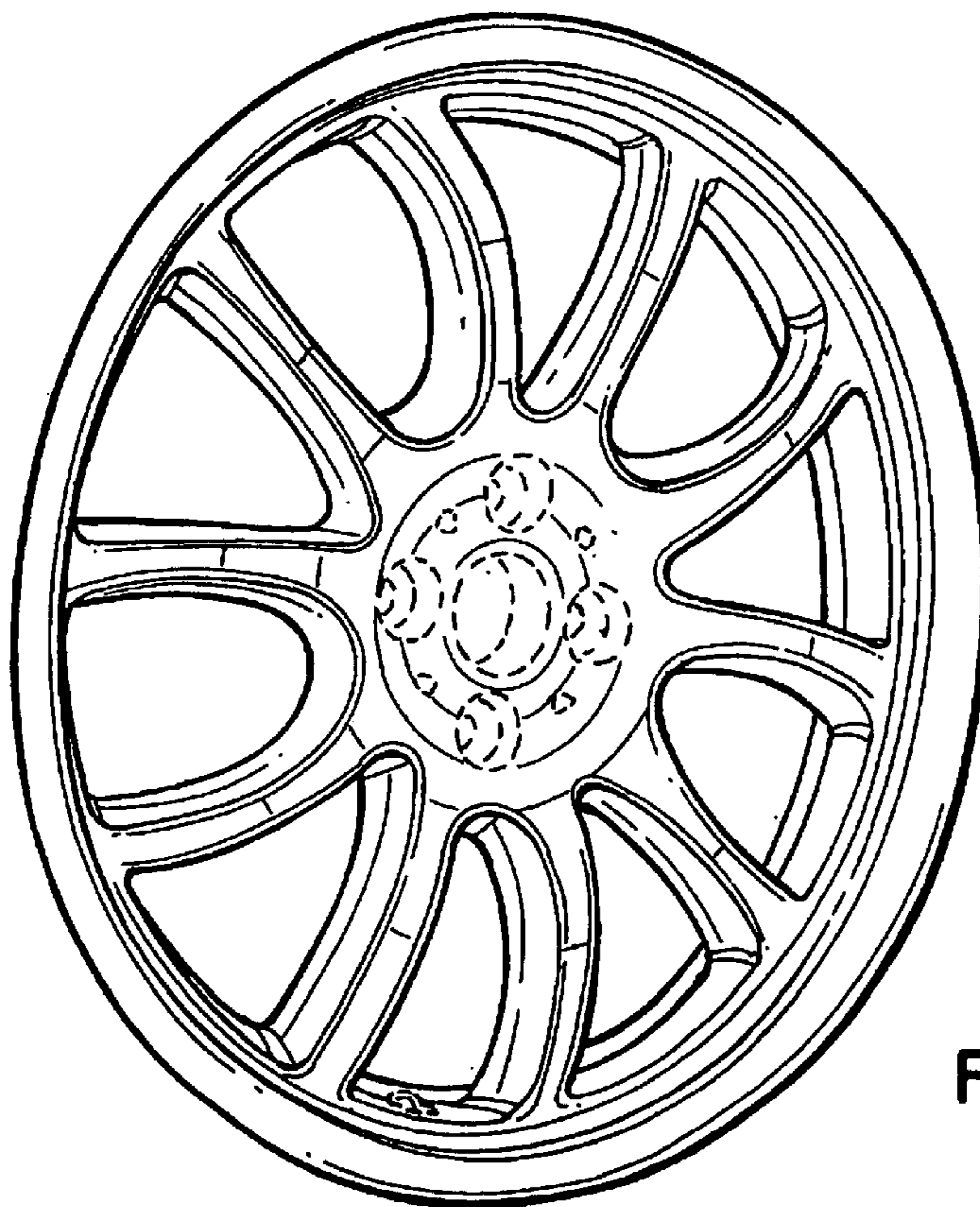


FIG. 2