



US00D539203S

(12) **United States Design Patent**
Danbom et al.

(10) **Patent No.:** **US D539,203 S**

(45) **Date of Patent:** **** Mar. 27, 2007**

(54) **GOLF CART WHEEL COVER**

(75) Inventors: **Jimmy D. Danbom**, Marco Island, FL (US); **Nicholas W. Gilmore**, Spirit Lake, IA (US); **Joel J. Wassom**, Dickens, IA (US); **Bradley J. Danbom**, Milford, IA (US)

(73) Assignee: **Cycle Country Accessories Corporation**, Milford, IA (US)

(**) Term: **14 Years**

(21) Appl. No.: **29/252,066**

(22) Filed: **Jan. 18, 2006**

(51) **LOC (8) Cl.** **12-16**

(52) **U.S. Cl.** **D12/204**

(58) **Field of Classification Search** D12/204-213;
301/37.101, 64.101, 65, 64.201
See application file for complete search history.

(56) **References Cited**

U.S. PATENT DOCUMENTS

3,080,198	A	*	3/1963	Dean et al.	301/64.201
D270,049	S	*	8/1983	Morgan	D12/204
D271,293	S	*	11/1983	Polka	D12/204
D294,821	S		3/1988	Danbom	D12/211
D424,502	S	*	5/2000	Noriega	D12/213
D450,648	S	*	11/2001	Oota	D12/211
D460,936	S	*	7/2002	Nakazawa et al.	D12/209

D466,850	S	*	12/2002	Cullen	D12/211
D504,650	S	*	5/2005	Ishiwata	D12/209
D511,488	S	*	11/2005	Hou et al.	D12/209

* cited by examiner

Primary Examiner—Stacia Cadmus
(74) *Attorney, Agent, or Firm*—Thomte, Mazour & Niebergall; Dennis L. Thomte

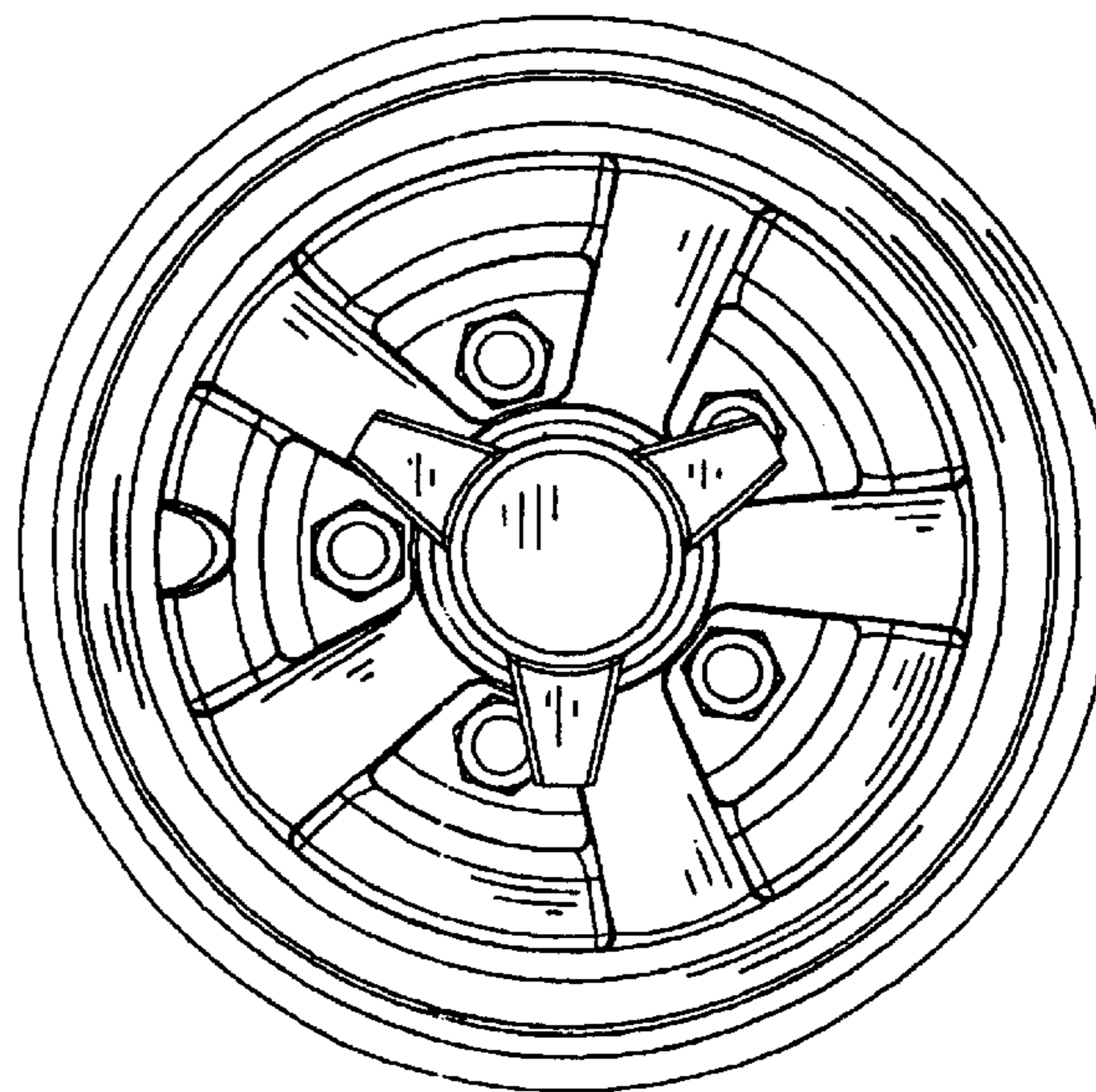
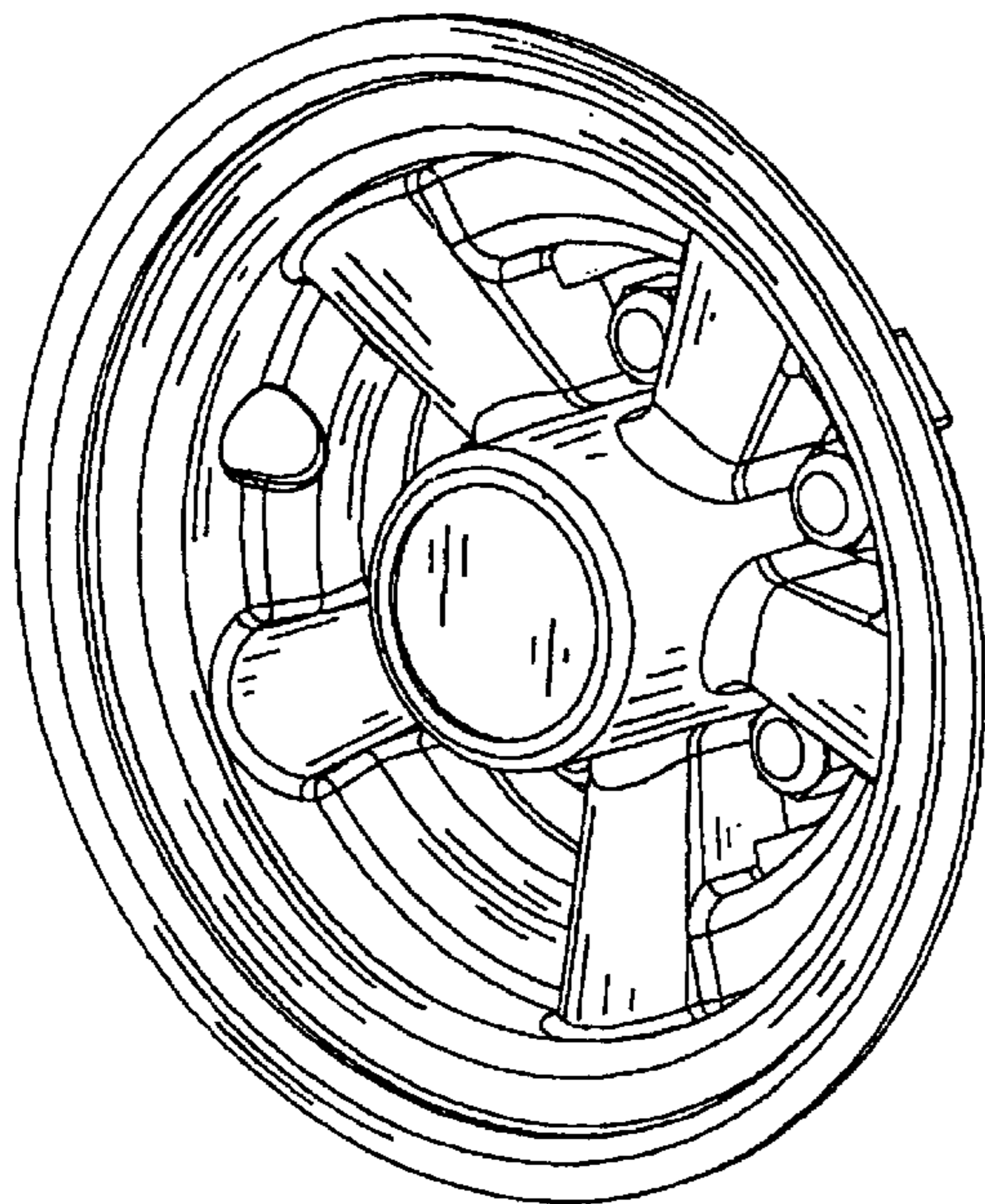
(57) **CLAIM**

The ornamental design for a golf cart wheel cover, as shown and described.

DESCRIPTION

FIG. 1 is a front perspective view of the golf cart wheel cover of this invention;
FIG. 2 is a front view of the wheel cover of FIG. 1;
FIG. 3 is a bottom view of the wheel cover of FIG. 1;
FIG. 4 is a side view of the wheel cover of FIG. 1;
FIG. 5 is a side view of the wheel cover of FIG. 1 taken at a 90° angle to that of FIG. 4;
FIG. 6 is a top view of the wheel cover of FIG. 1;
FIG. 7 is a front perspective view of a second embodiment of the wheel cover of FIG. 1 with the only difference being that a spinner is shown on the front thereof;
FIG. 8 is a front view of the hubcap of FIG. 7; and,
FIG. 9 is a front view of a third embodiment of the wheel cover of FIG. 1 with the only difference being that through the inclusion of the “SS” on the front face thereof.

1 Claim, 5 Drawing Sheets



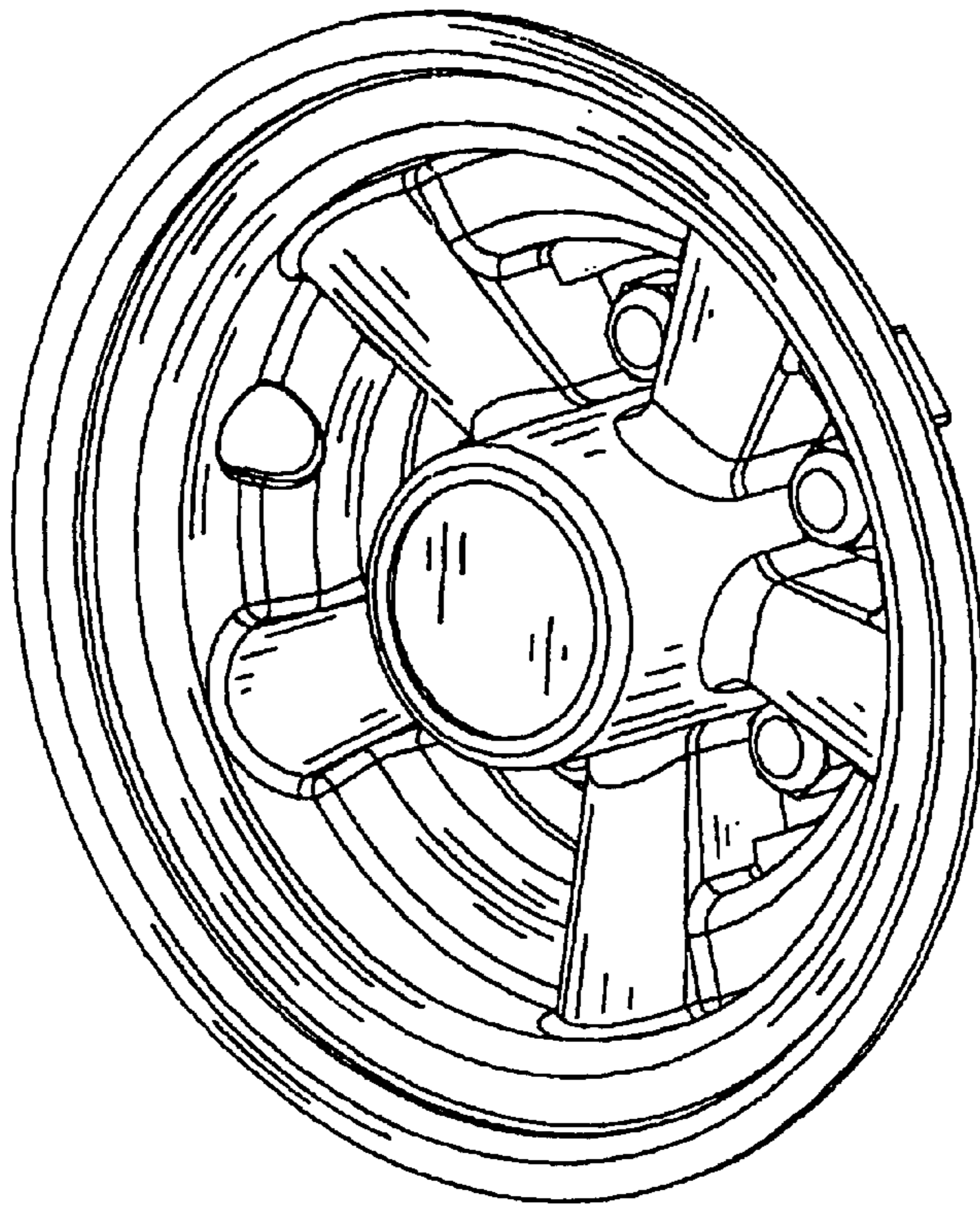


FIG. 1

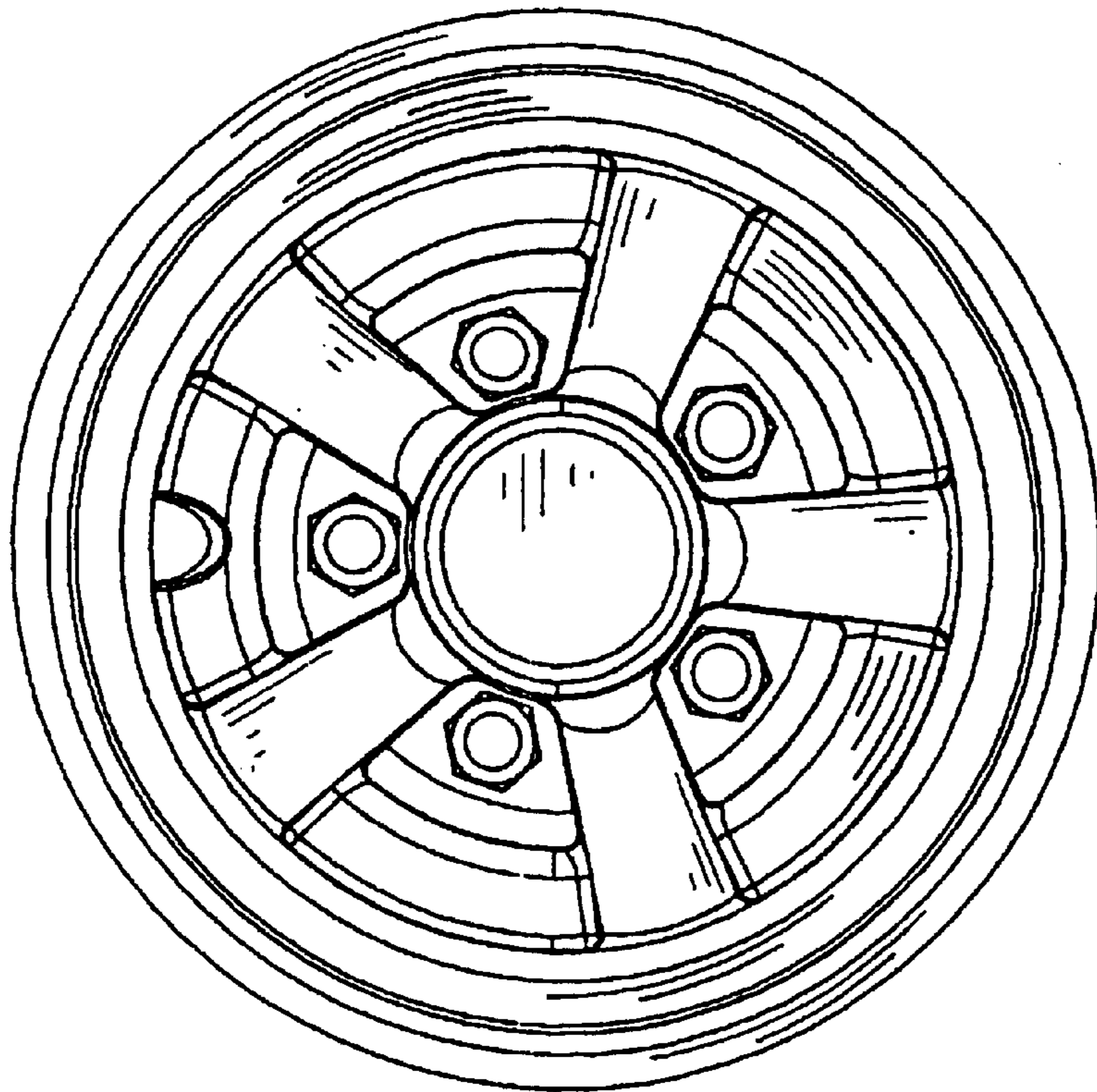


FIG. 2

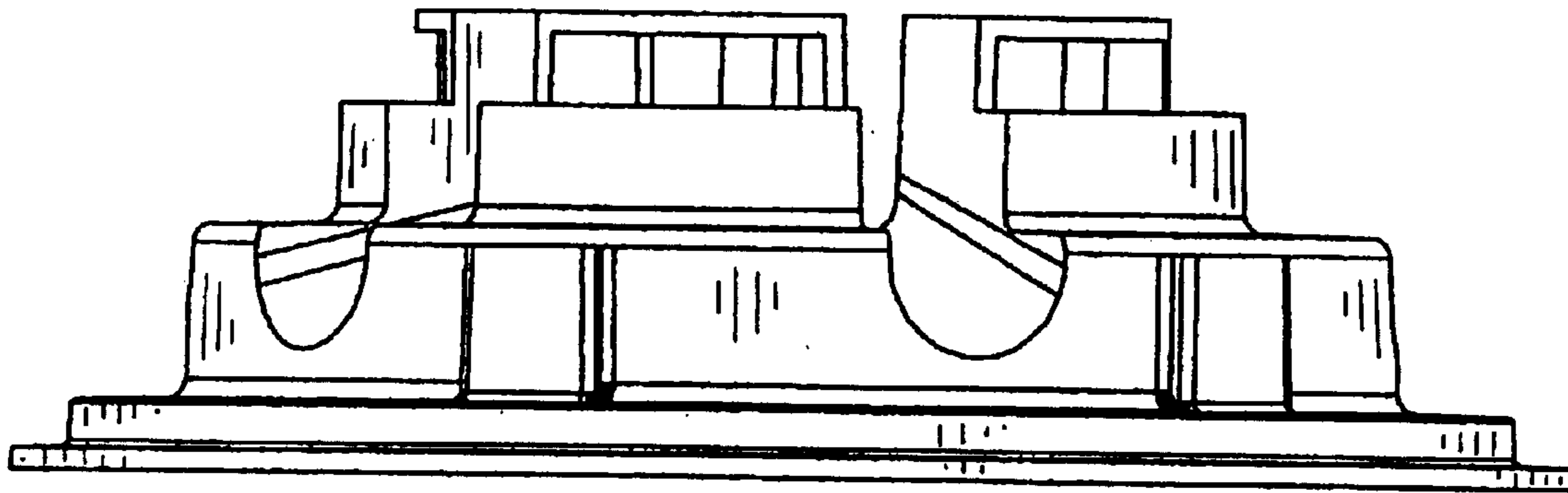


FIG. 3

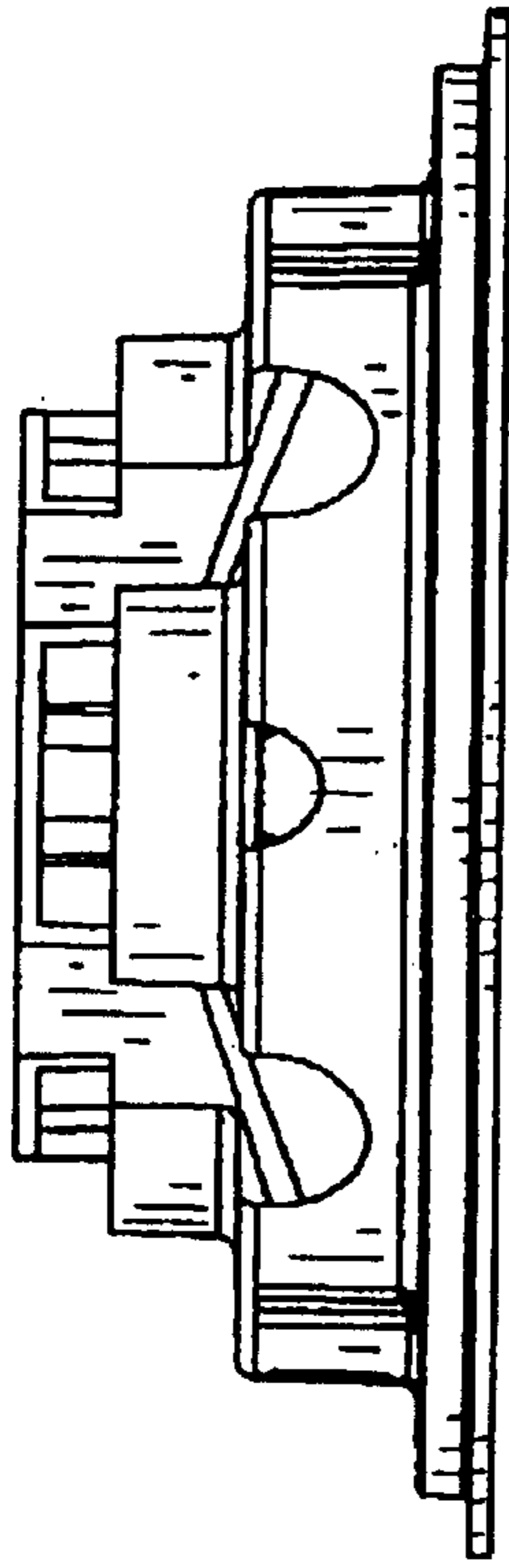


FIG. 4

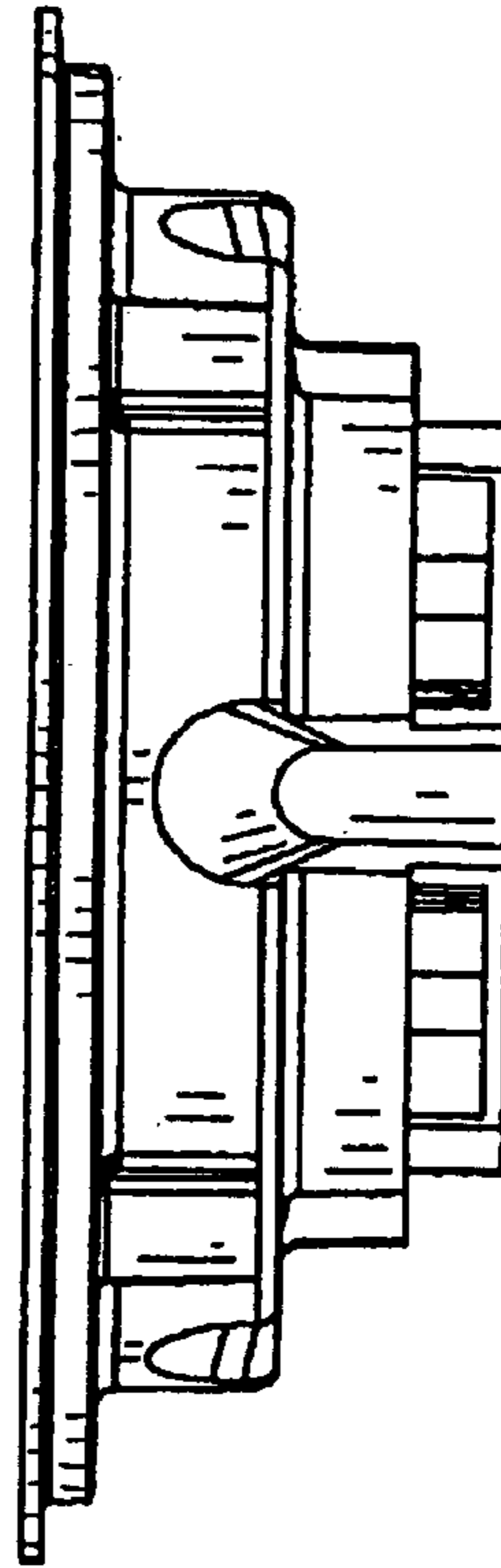


FIG. 5

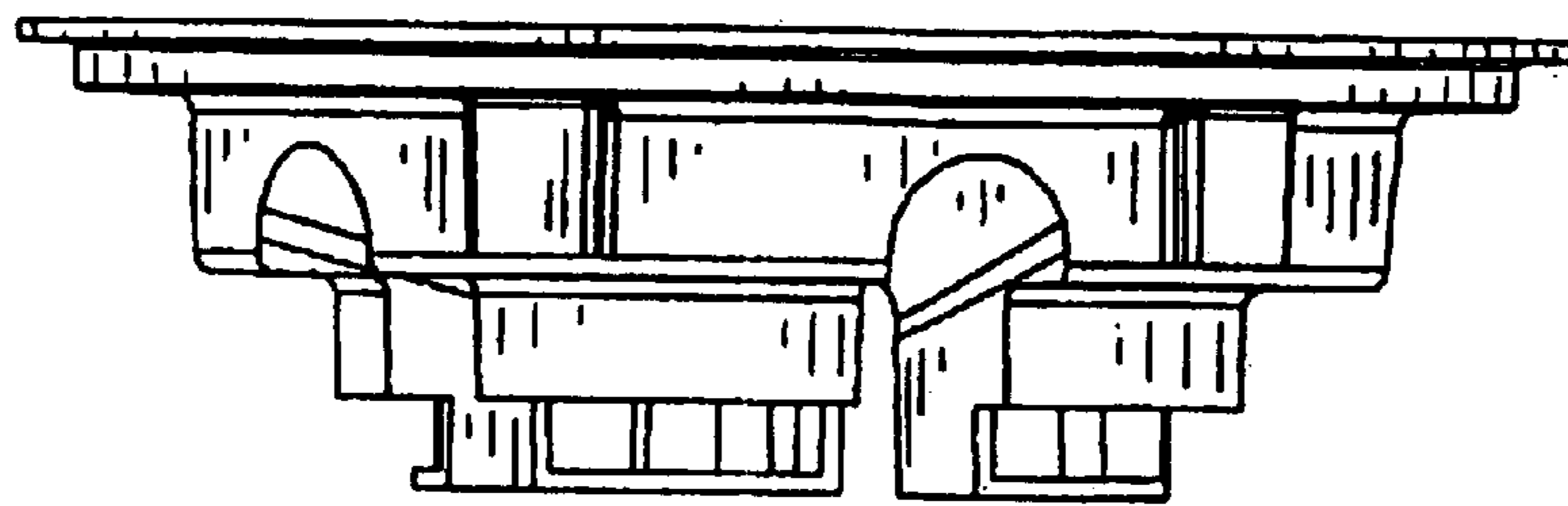


FIG. 6

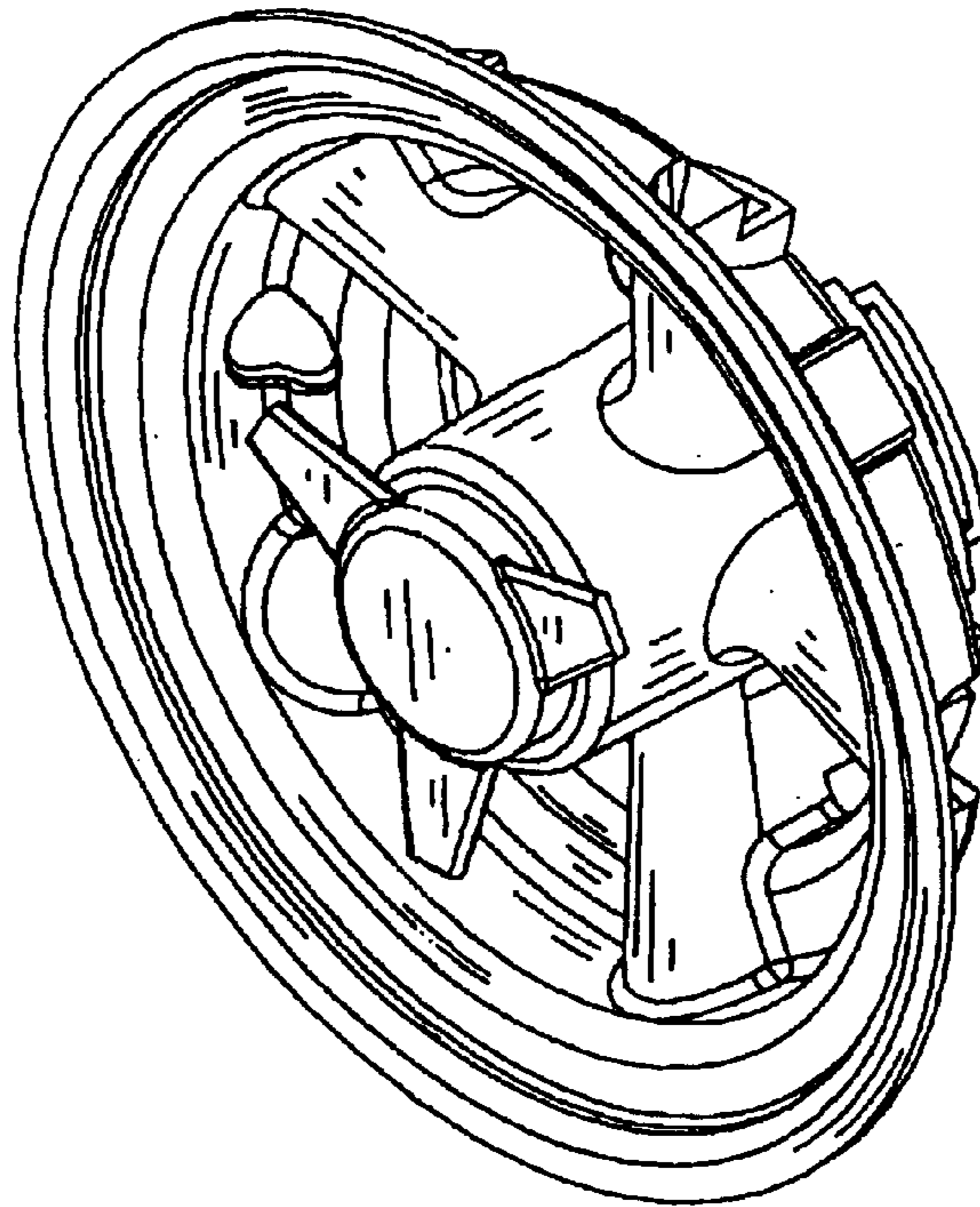


FIG. 7

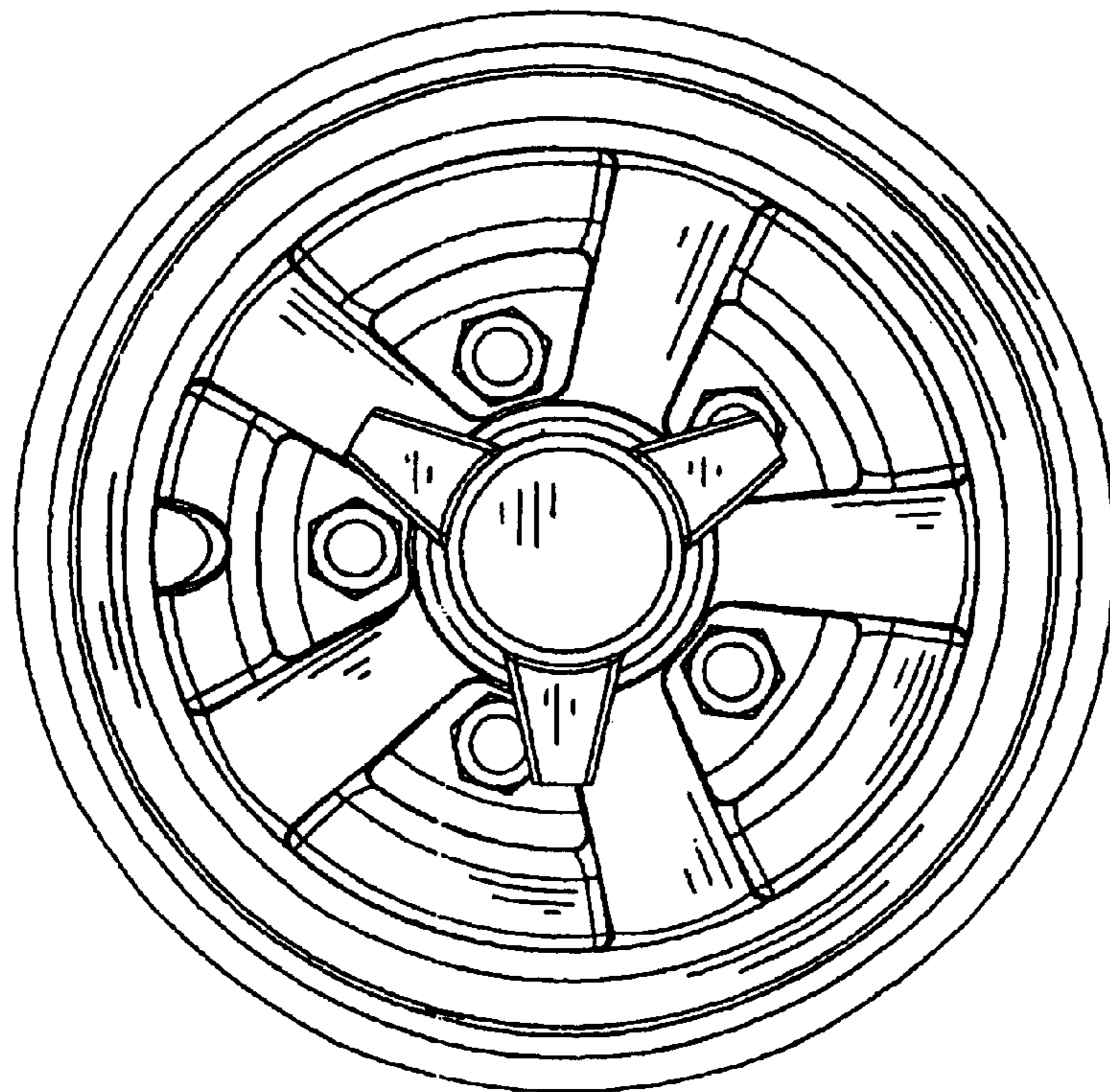


FIG. 8

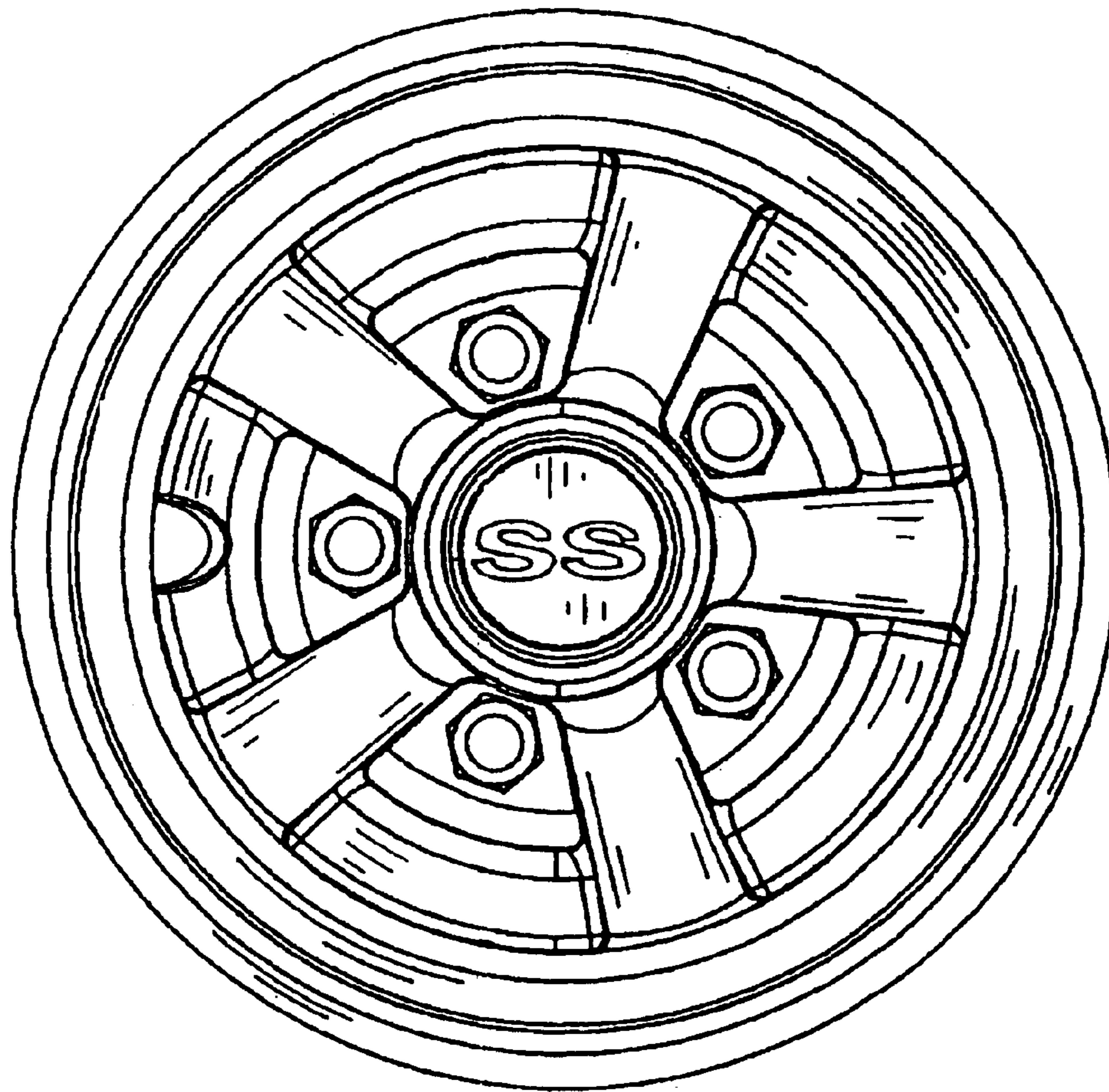


FIG. 9