

US00D539193S

(12) **United States Design Patent** (10) **Patent No.:** **US D539,193 S**
Karasin et al. (45) **Date of Patent:** **** Mar. 27, 2007**

(54) **BASE FOR PHYSICAL ASSISTANCE DEVICES**

(75) Inventors: **Craig Karasin**, Moorestown, NJ (US);
Robert Popek, Doylestown, PA (US);
David Reed, Langhorne, PA (US);
Andrew Vellrath, New Castle, DE (US);
Thomas J. Powers, Fairless Hills, PA (US)

(73) Assignee: **Full Life Products, LLC**, Moorestown, NJ (US)

(**) Term: **14 Years**

(21) Appl. No.: **29/215,881**

(22) Filed: **Oct. 25, 2004**

(51) **LOC (8) Cl.** **12-12**

(52) **U.S. Cl.** **D12/133**

(58) **Field of Classification Search** D12/128-133;
280/87.01, 87.021, 87.042, 87.043, 202,
280/204, 218

See application file for complete search history.

(56) **References Cited**

U.S. PATENT DOCUMENTS

1,307,058 A	6/1919	McGrath
D187,450 S	3/1960	Maxwell
3,133,551 A	5/1964	Murcott
3,157,187 A	11/1964	Murcott
3,165,314 A	1/1965	Clearman et al.

(Continued)

OTHER PUBLICATIONS

Declaration of John Tartaglia, executed on May 4, 2005.
U.S. Appl. No. 11/107,198, filed Apr. 15, 2005, Tartaglia.
U.S. Appl. No. 11/107,260, filed Apr. 15, 2005, Tartaglia.

U.S. Appl. No. 29/215,880, filed Oct. 25, 2004, Karasin et al.

U.S. Appl. No. 29/215,837, filed Oct. 25, 2004, Vellrath.

U.S. Appl. No. 29/215,901, filed Oct. 25, 2004, Vellrath.

U.S. Appl. No. 29/215,882, filed Oct. 25, 2004, Vellrath.

U.S. Appl. No. 29/215,836, filed Oct. 25, 2004, Karasin et al.

U.S. Appl. No. 29/215,883, filed Oct. 25, 2004, Reed et al.

U.S. Appl. No. 29/215,899, filed Oct. 25, 2004, Karasin et al.

U.S. Appl. No. 29/215,839, filed Oct. 25, 2004, Vellrath.

U.S. Appl. No. 29/215,902, filed Oct. 25, 2004, Reed et al.

Primary Examiner—Marcus A. Jackson

(74) *Attorney, Agent, or Firm*—Morgan Lewis & Bockius LLP

(57) **CLAIM**

The ornamental design for a base for physical assistance devices, as shown and described.

DESCRIPTION

FIG. 1 is an isometric view of a base for physical assistance devices in accordance with the invention, the broken line showing of the remainder of the base for physical assistance device is included for the purpose of illustrating the base for physical assistance device and forms no part of the claimed design.

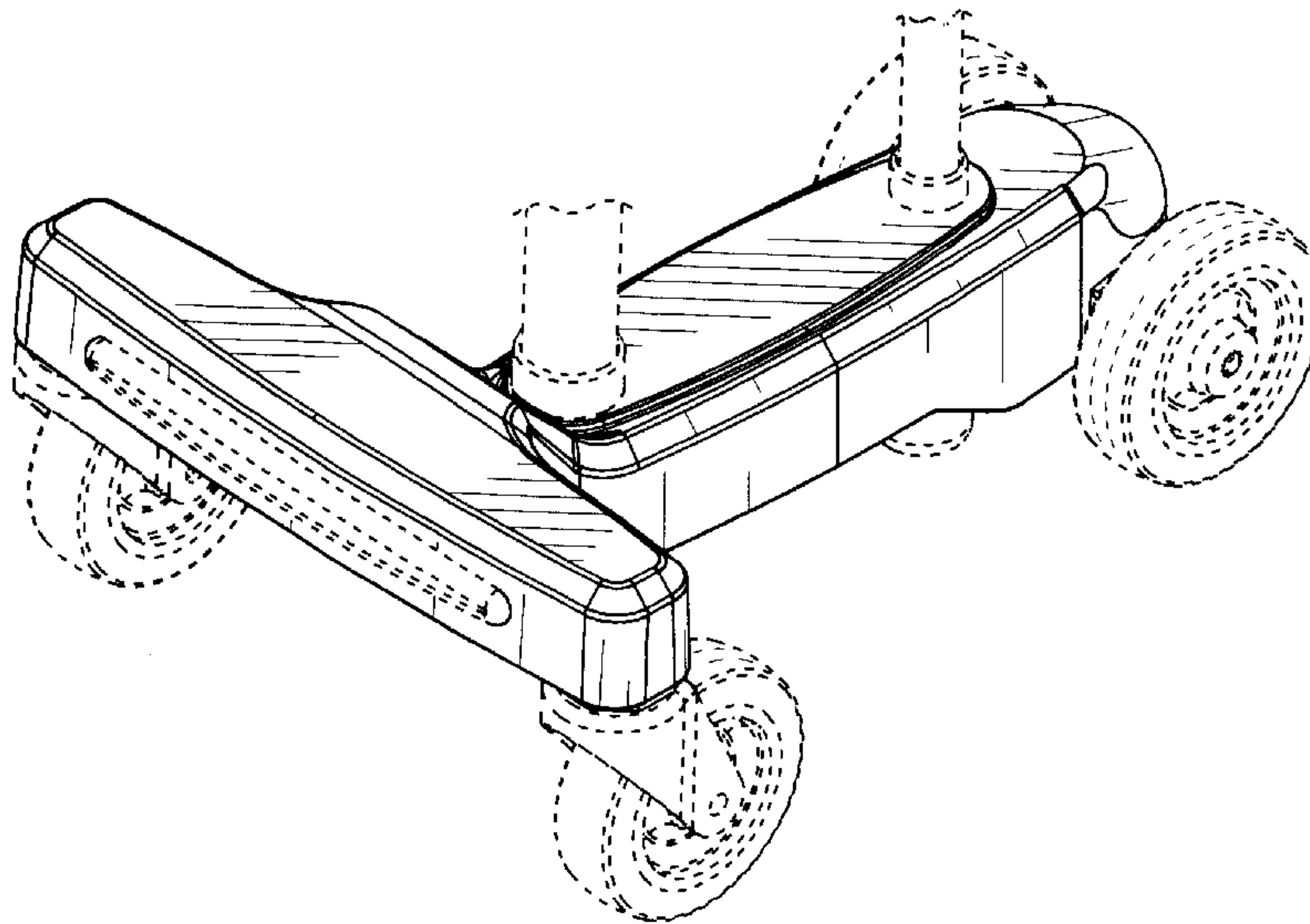
FIG. 2 is a front view of a base for physical assistance devices;

FIG. 3 is a right side view of a base for physical assistance devices, the left side being a mirror image of the right side; FIG. 4 is a rear view of a base for physical assistance devices;

FIG. 5 is a bottom view of a base for physical assistance devices; and,

FIG. 6 is a top view of a base for physical assistance devices.

1 Claim, 4 Drawing Sheets



US D539,193 S

U.S. PATENT DOCUMENTS

3,350,095 A	10/1967	Clasen	5,495,867 A	3/1996	Block
D229,728 S	12/1973	Thomas	5,499,645 A	3/1996	Baliga
D230,531 S	2/1974	Thomas	5,588,457 A	12/1996	Tartaglia
3,884,327 A	5/1975	Zigman	5,636,651 A	6/1997	Einbinder
4,046,374 A	9/1977	Breyley	4,044,784 A	8/1997	Smith
4,091,828 A	5/1978	Jorgensen	5,692,533 A	12/1997	Meltzer
4,106,521 A	8/1978	Thomas	5,785,070 A	7/1998	Block et al.
4,135,535 A	1/1979	Thomas	5,794,638 A	8/1998	Richey et al.
4,258,735 A	3/1981	Meade	D401,192 S	11/1998	Gagnon
4,274,430 A	6/1981	Schaaf et al.	D411,343 S	6/1999	Brightbill et al.
4,341,381 A	7/1982	Norberg	D411,653 S	6/1999	Richey et al.
4,342,465 A	8/1982	Stillings	5,941,262 A	8/1999	Tschirhart
D272,677 S	2/1984	Bove et al.	5,954,074 A	9/1999	Mattson
4,559,962 A	12/1985	Marchiano	6,003,532 A	12/1999	Pi
4,601,302 A	7/1986	Breen et al.	D422,747 S	4/2000	Evans
D290,186 S	6/1987	Meunchen	D428,367 S	* 7/2000	Lundh D12/133
D295,694 S	5/1988	Mace	6,158,453 A	12/2000	Nasco
4,787,405 A	11/1988	Karwoski	D439,625 S	3/2001	Tamaribuchi
4,796,648 A	1/1989	Goulter	D441,162 S	4/2001	Grove et al.
4,834,127 A	5/1989	Van Sice	6,217,056 B1	4/2001	Tsuchie
4,962,781 A	10/1990	Kanbar	D444,605 S	7/2001	Porter
4,993,446 A	2/1991	Yarbrough	D448,151 S	9/2001	Outlaw
4,997,001 A	3/1991	DiCarlo	6,318,392 B1	11/2001	Chen
5,056,545 A	10/1991	Spaeth	6,338,355 B1	1/2002	Cheng
D324,946 S	3/1992	Karten	D455,985 S	4/2002	Olivares
5,112,044 A	5/1992	Dubats	D457,840 S	5/2002	Hsia
D329,538 S	9/1992	Rau	6,494,469 B1	12/2002	Hara et al.
5,156,176 A	10/1992	Doorenbos	D468,669 S	* 1/2003	Hopely, Jr. D12/133
5,188,138 A	2/1993	Yamasaki et al.	D480,995 S	* 10/2003	Owens D12/133
5,201,334 A	4/1993	Tseng	6,675,820 B2	1/2004	Balan
5,238,013 A	8/1993	Battiston et al.	6,708,705 B2	3/2004	Nasco
5,282,486 A	2/1994	Hoover	6,715,794 B2	4/2004	Frank
5,301,704 A	4/1994	Brown	D494,109 S	8/2004	Karasin et al.
5,307,828 A	5/1994	Gardner et al.	6,877,519 B2	4/2005	Fink
5,318,057 A	6/1994	Wallum	D506,419 S	6/2005	Coster
5,339,850 A	8/1994	Mertz	2001/0038186 A1	11/2001	Wychozowycz
5,355,904 A	10/1994	Wallum	2003/0091491 A1	5/2003	Lin
5,385,163 A	1/1995	Fairchild	2003/0111100 A1	6/2003	Bell et al.
5,390,687 A	2/1995	Tsai	2003/0205265 A1	11/2003	Nasco
5,392,800 A	2/1995	Sergi	2004/0216776 A1	11/2004	Otis
5,392,801 A	2/1995	Hannoosh et al.	2005/0093326 A1	5/2005	Miller et al.
5,482,070 A	1/1996	Kelly			

* cited by examiner

FIG. 1

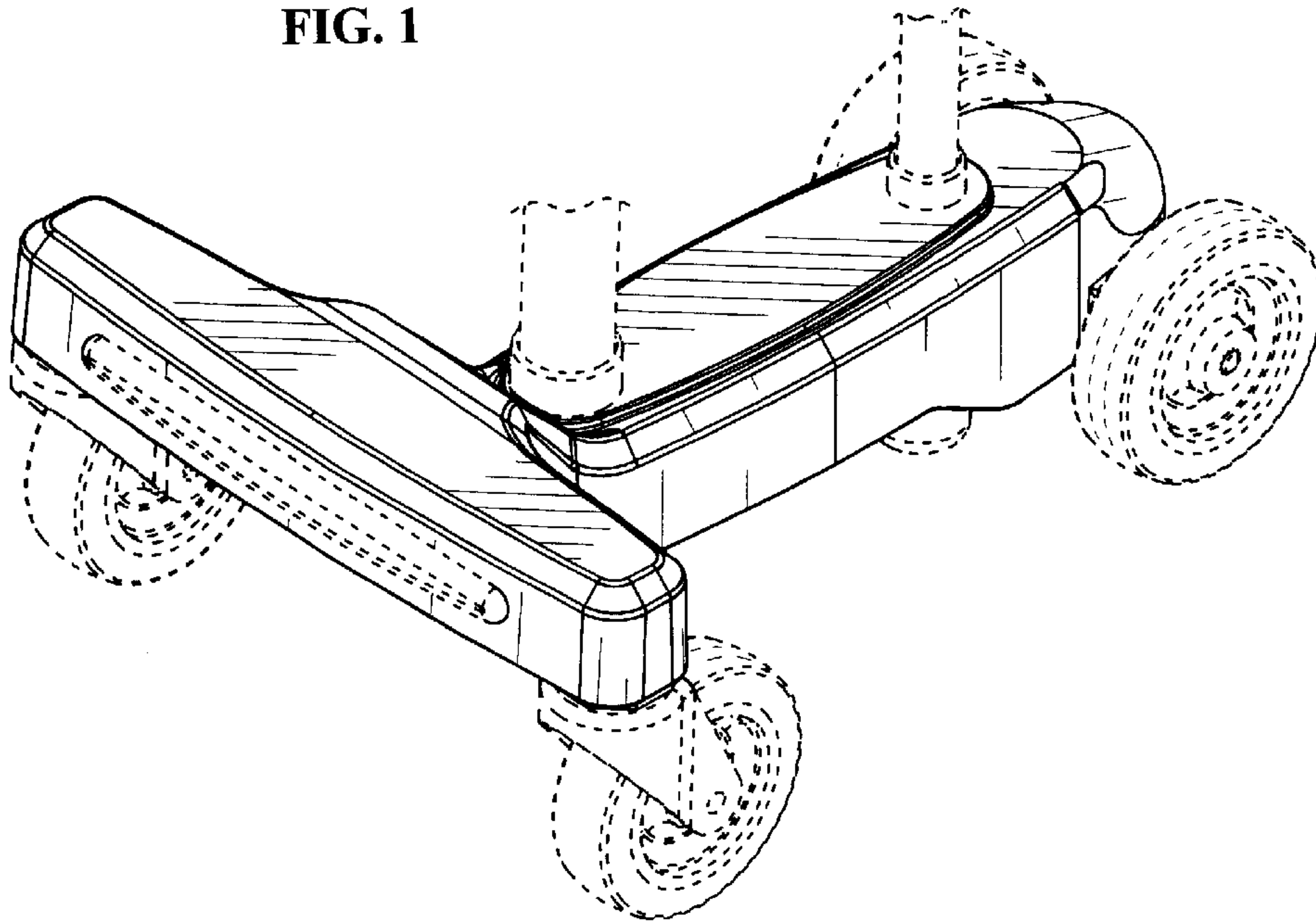
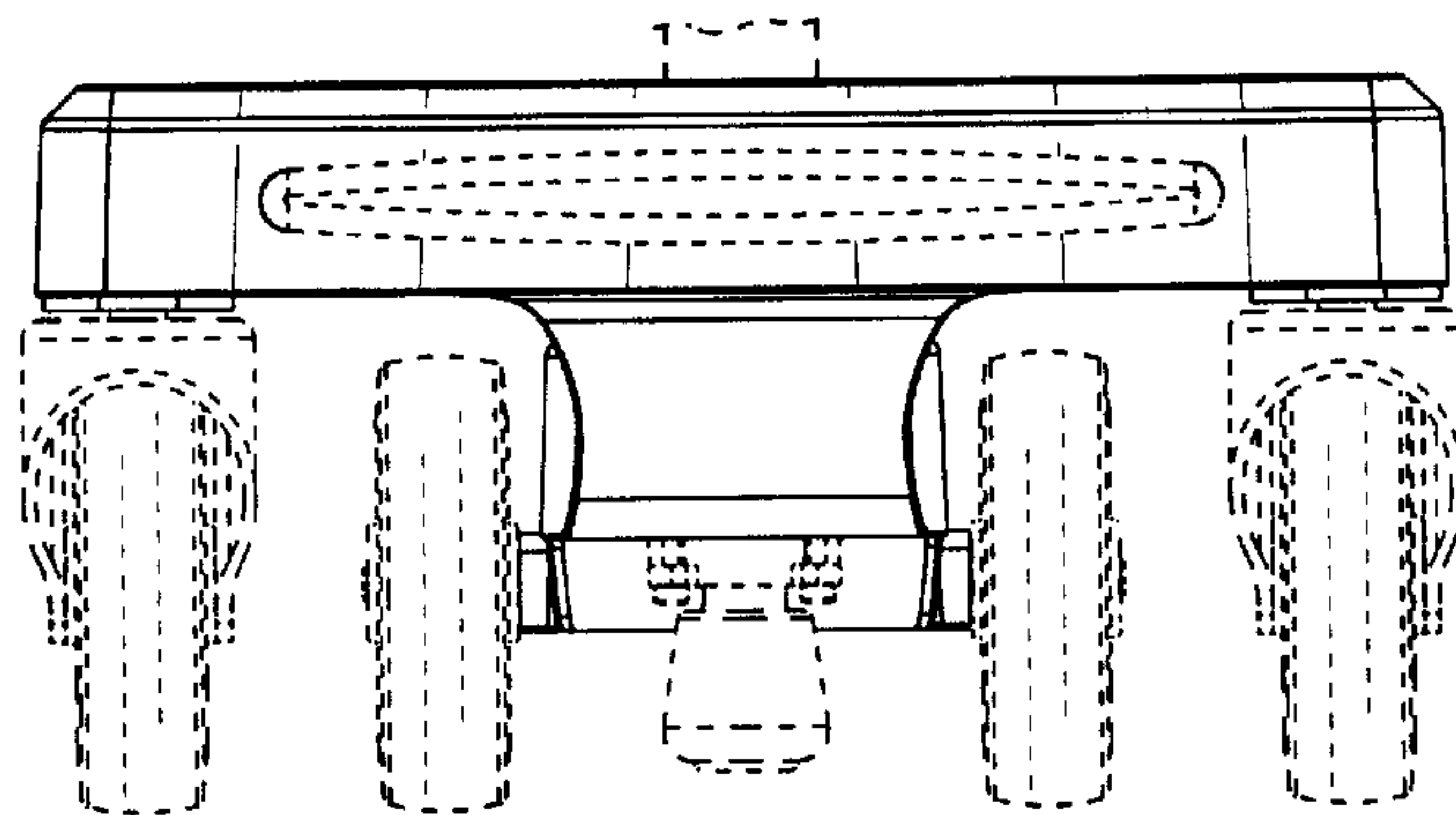


FIG. 2



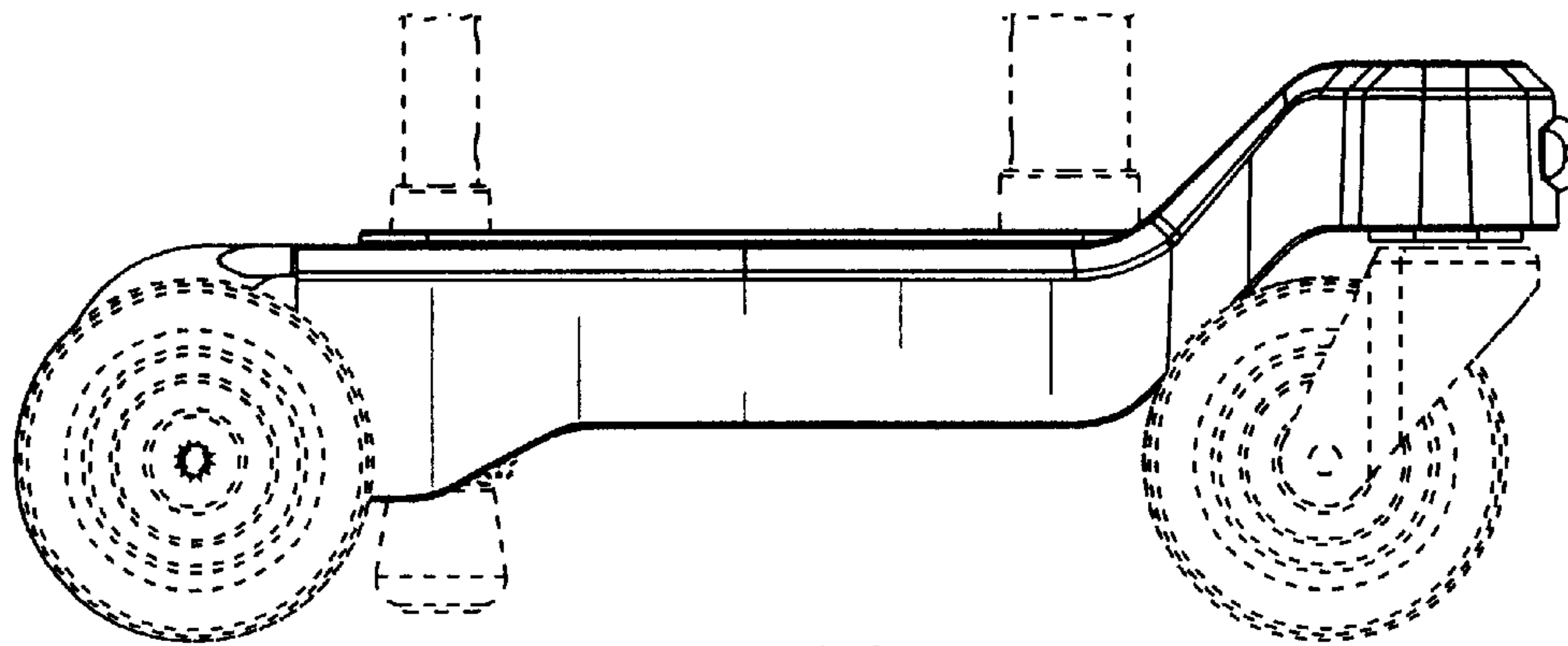


FIG. 3

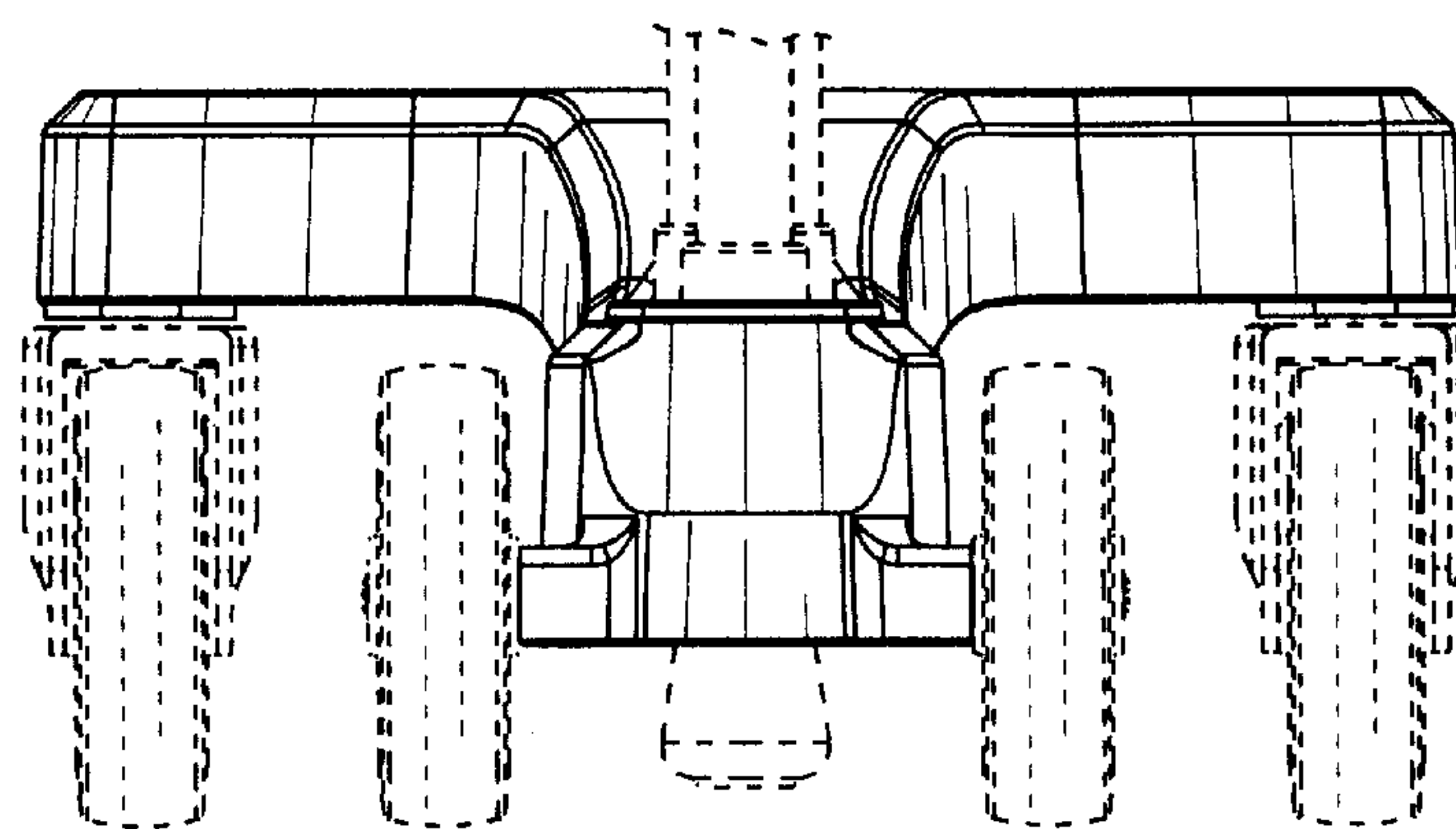


FIG. 4

FIG. 5

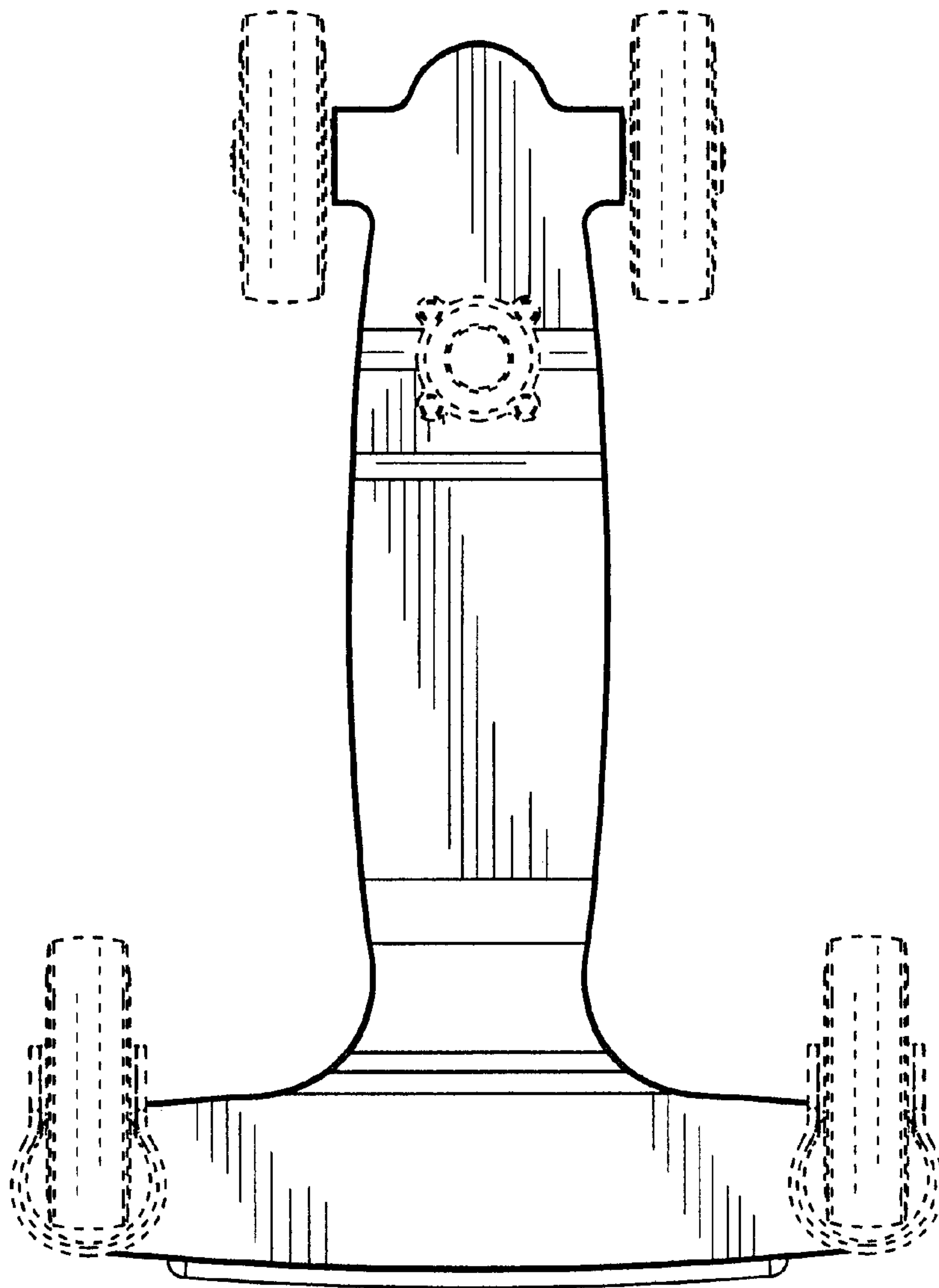


FIG. 6

