



US00D539189S

(12) **United States Design Patent**
Huntimer et al.

(10) **Patent No.:** **US D539,189 S**
(45) **Date of Patent:** **** Mar. 27, 2007**

(54) **PORTION OF A SNOWMOBILE SKI**

(75) Inventors: **Todd M. Huntimer**, Arlington, SD
(US); **Jody L. Lemme**, Arlington, SD
(US); **Daniel B. Palli**, Nunda, SD (US)

(73) Assignee: **Slydog, Inc.**, Arlington, SD (US)

(**) Term: **14 Years**

(21) Appl. No.: **29/201,804**

(22) Filed: **Mar. 18, 2004**

(51) **LOC (8) Cl.** **12-14**

(52) **U.S. Cl.** **D12/7**

(58) **Field of Classification Search** D12/1,
D12/2, 6, 7, 9, 10, 11; 180/180-182
See application file for complete search history.

(56) **References Cited**

U.S. PATENT DOCUMENTS

D3,356	S	*	1/1869	Varns	D12/6
D256,224	S	*	8/1980	Fritz	D12/7
4,616,842	A	*	10/1986	Echevin et al.	280/602
5,040,818	A		8/1991	Metheny		
5,145,201	A		9/1992	Metheny		
5,222,749	A	*	6/1993	Bergstrom	280/28
D364,127	S	*	11/1995	Scherr et al.	D12/6
D366,014	S	*	1/1996	Lindquist et al.	D12/7
D367,018	S	*	2/1996	Bernat	D12/7
5,853,061	A	*	12/1998	Yamamoto et al.	180/190
6,012,728	A		1/2000	Noble		
6,102,413	A	*	8/2000	Khennache et al.	280/28
6,267,392	B1	*	7/2001	Noble	280/28
6,276,699	B1		8/2001	Simmons et al.		
6,331,008	B2		12/2001	Cormican		
6,378,889	B1		4/2002	Moriyama et al.		

6,431,561	B1		8/2002	Hedlund		
6,474,660	B1	*	11/2002	Warren	280/7.12
D469,036	S	*	1/2003	Bruns et al.	D12/7
6,513,612	B2		2/2003	Moriyama et al.		
D473,162	S	*	4/2003	Malette et al.	D12/7
6,631,912	B2		10/2003	Metheny		
D484,072	S	*	12/2003	Bruns	D12/7
D492,913	S	*	7/2004	Bruns	D12/7
6,955,236	B2	*	10/2005	Roberts et al.	180/182
D514,980	S	*	2/2006	Kukkonen	D12/7
2001/0032744	A1	*	10/2001	Moriyama	180/182
2003/0234129	A1	*	12/2003	Roberts et al.	180/182

* cited by examiner

Primary Examiner—Doris Clark

Assistant Examiner—Michael Pratt

(74) *Attorney, Agent, or Firm*—Black Lowe & Graham, PLLC

(57) **CLAIM**

The ornamental design for a portion of a snowmobile ski, as shown and described.

DESCRIPTION

FIG. 1 is a top plan view of a portion of a snowmobile ski showing our new design;
 FIG. 2 is a side elevation view thereof; the opposite side being a mirror image;
 FIG. 3 is a perspective view thereof;
 FIG. 4 is a cross-sectional view taken along line 4—4 of FIG. 1;
 FIG. 5 is a cross-sectional view taken along line 5—5 of FIG. 1;
 FIG. 6 is a front elevational view thereof; and,
 FIG. 7 is a rear elevational view thereof.

1 Claim, 2 Drawing Sheets

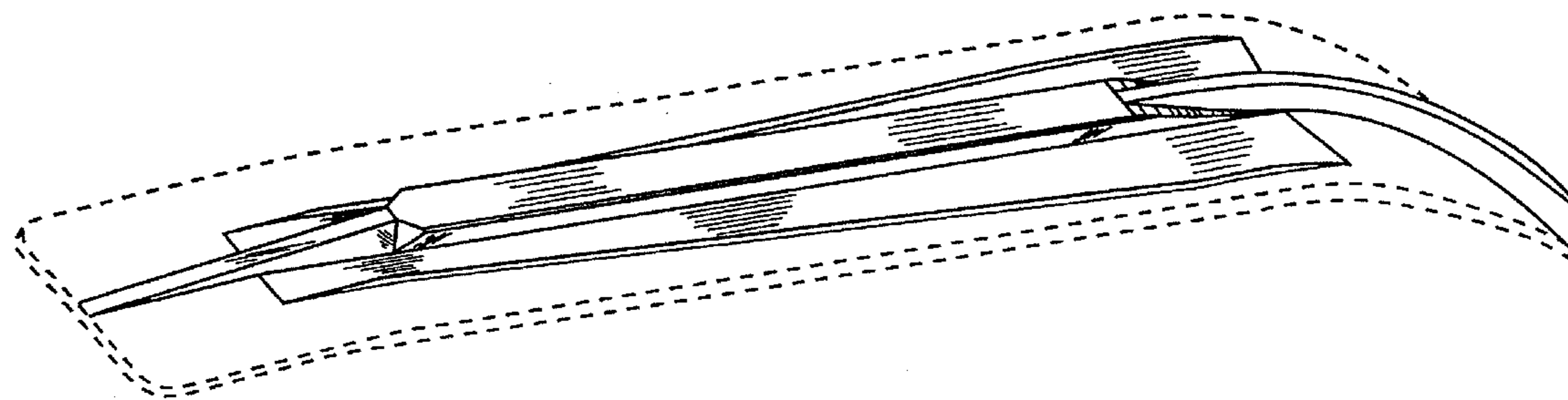


Fig. 1

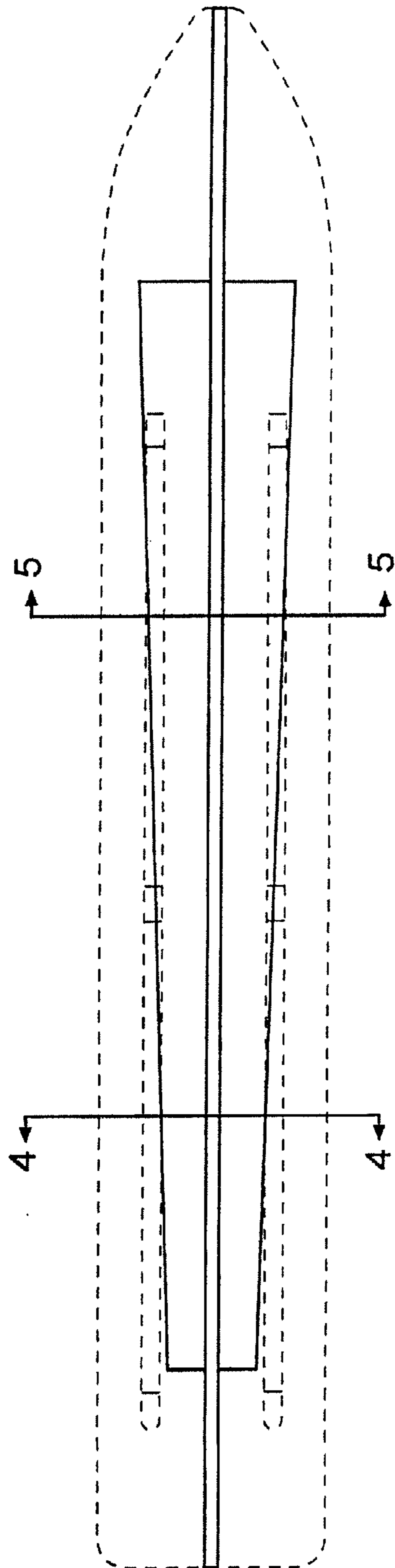


Fig. 2

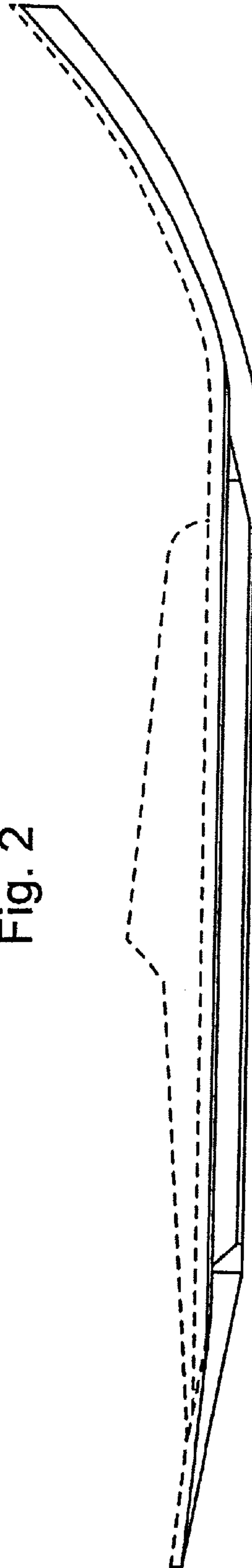


Fig. 3

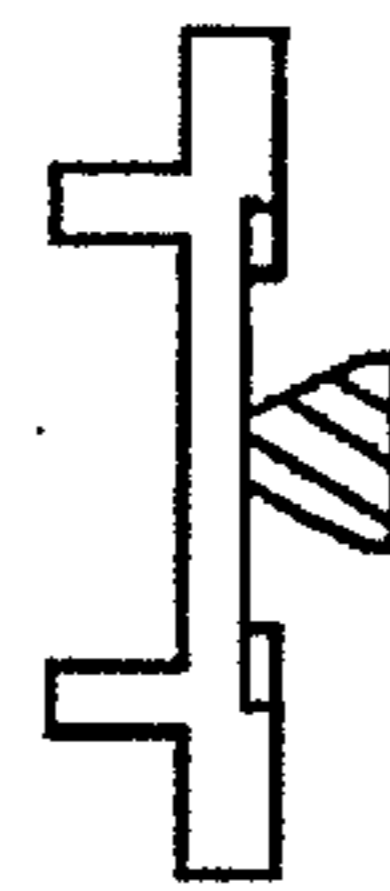
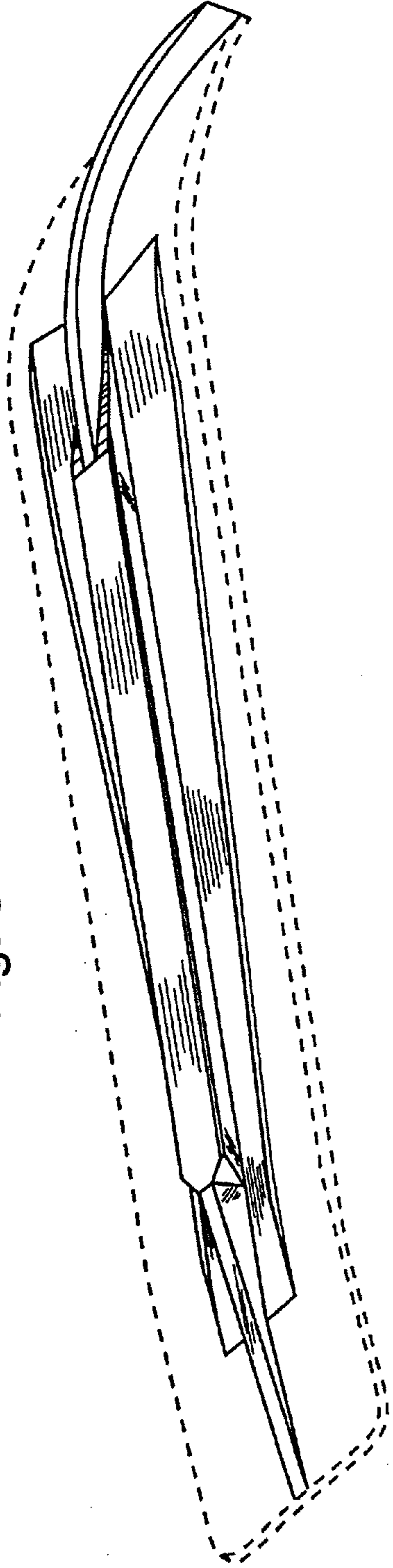


Fig. 4

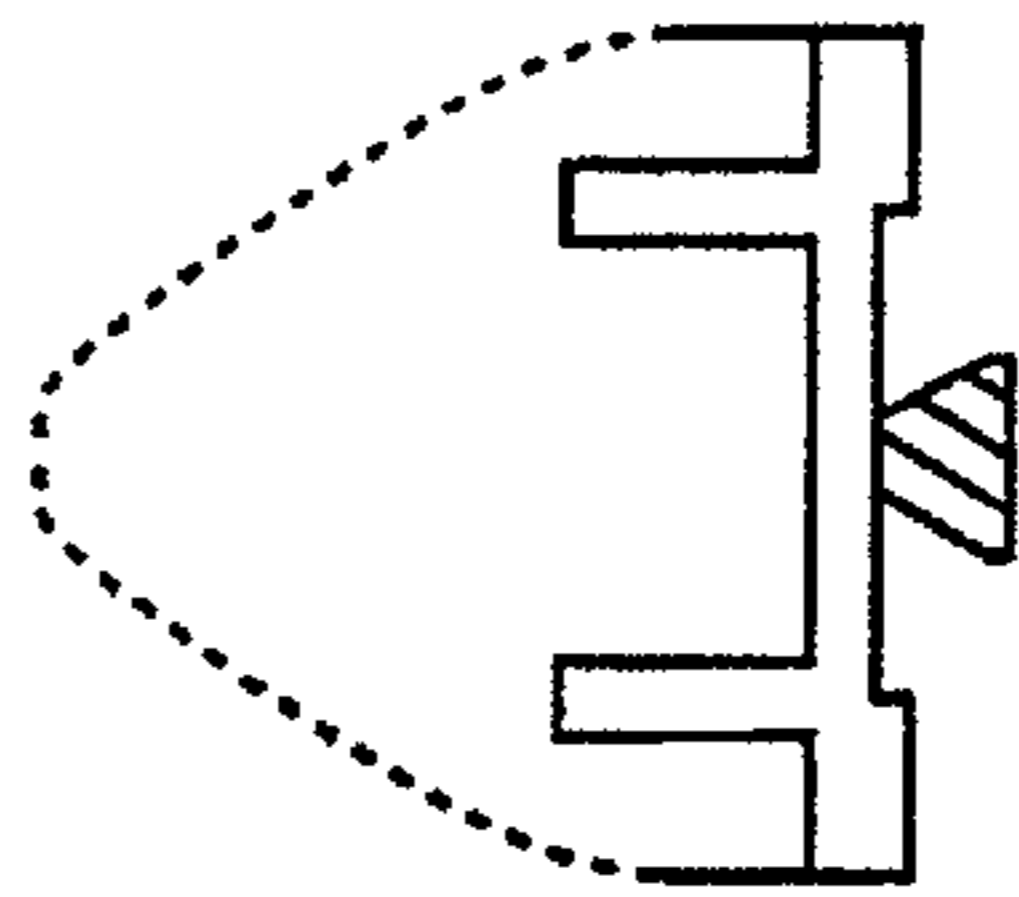


Fig. 5

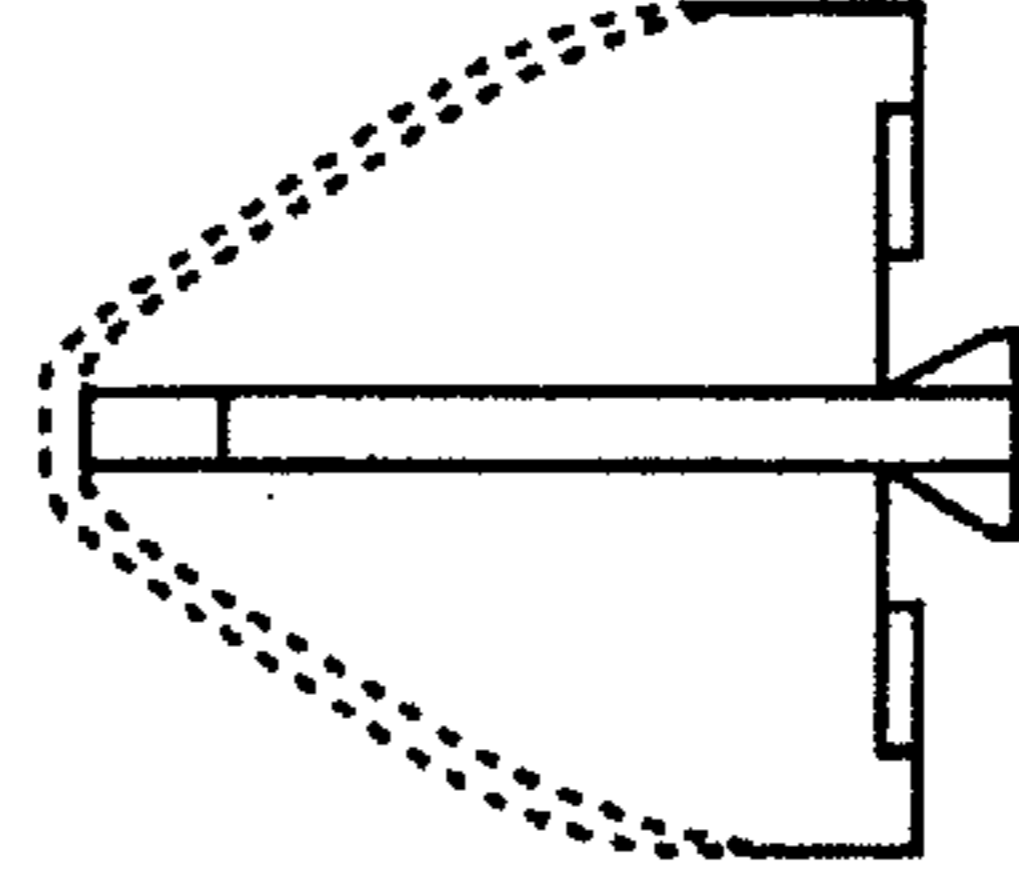


Fig. 6

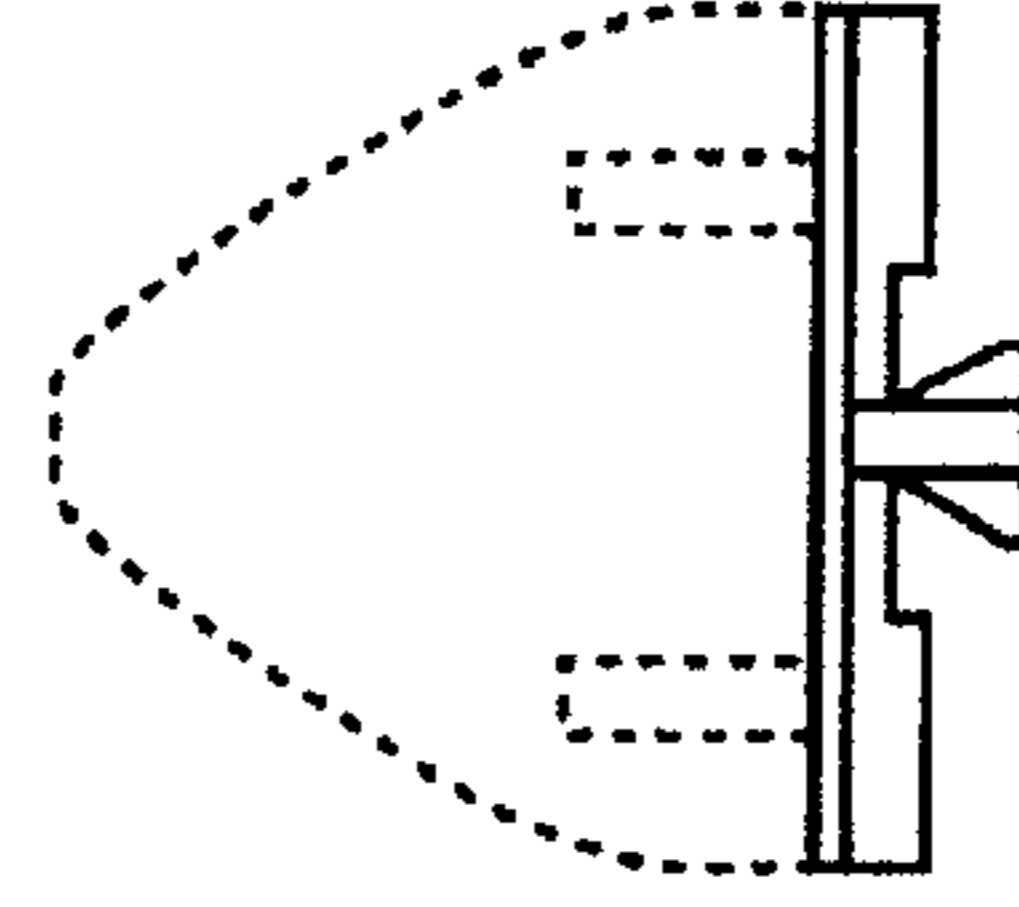


Fig. 7