



US00D539182S

(12) **United States Design Patent**
Perret

(10) **Patent No.:** **US D539,182 S**

(45) **Date of Patent:** **** Mar. 27, 2007**

(54) **OSCILLATING WEIGHT FOR WRISTWATCHES**

(75) Inventor: **Sébastien Perret**, Mattenbert (CH)

(73) Assignee: **Perrelet SA**, Neuchatel (CH)

(**) Term: **14 Years**

(21) Appl. No.: **29/230,626**

(22) Filed: **May 24, 2005**

(30) **Foreign Application Priority Data**

Mar. 11, 2005 (WO) DM/066 441

(51) **LOC (8) Cl.** **10-07**

(52) **U.S. Cl.** **D10/128**

(58) **Field of Classification Search** D10/122-132,
D10/46; 368/127, 150, 157, 169, 318, 160,
368/161, 297-300, 322-325

See application file for complete search history.

(56) **References Cited**

U.S. PATENT DOCUMENTS

D480,979 S * 10/2003 Filiberti D10/128

D481,324 S * 10/2003 Filiberti D10/128
D481,644 S * 11/2003 Filiberti D10/128
2006/0050617 A1 * 3/2006 Papi 368/203

* cited by examiner

Primary Examiner—Antoine D. Davis

(74) *Attorney, Agent, or Firm*—Collen IP; Donald J. Ranft

(57) **CLAIM**

The ornamental design for an oscillating weight for wrist-watches, as shown and described.

DESCRIPTION

FIG. 1 is a front view of my new design for an oscillating weight for wristwatches;

FIG. 2 is a rear view thereof;

FIG. 3 is a right side view thereof;

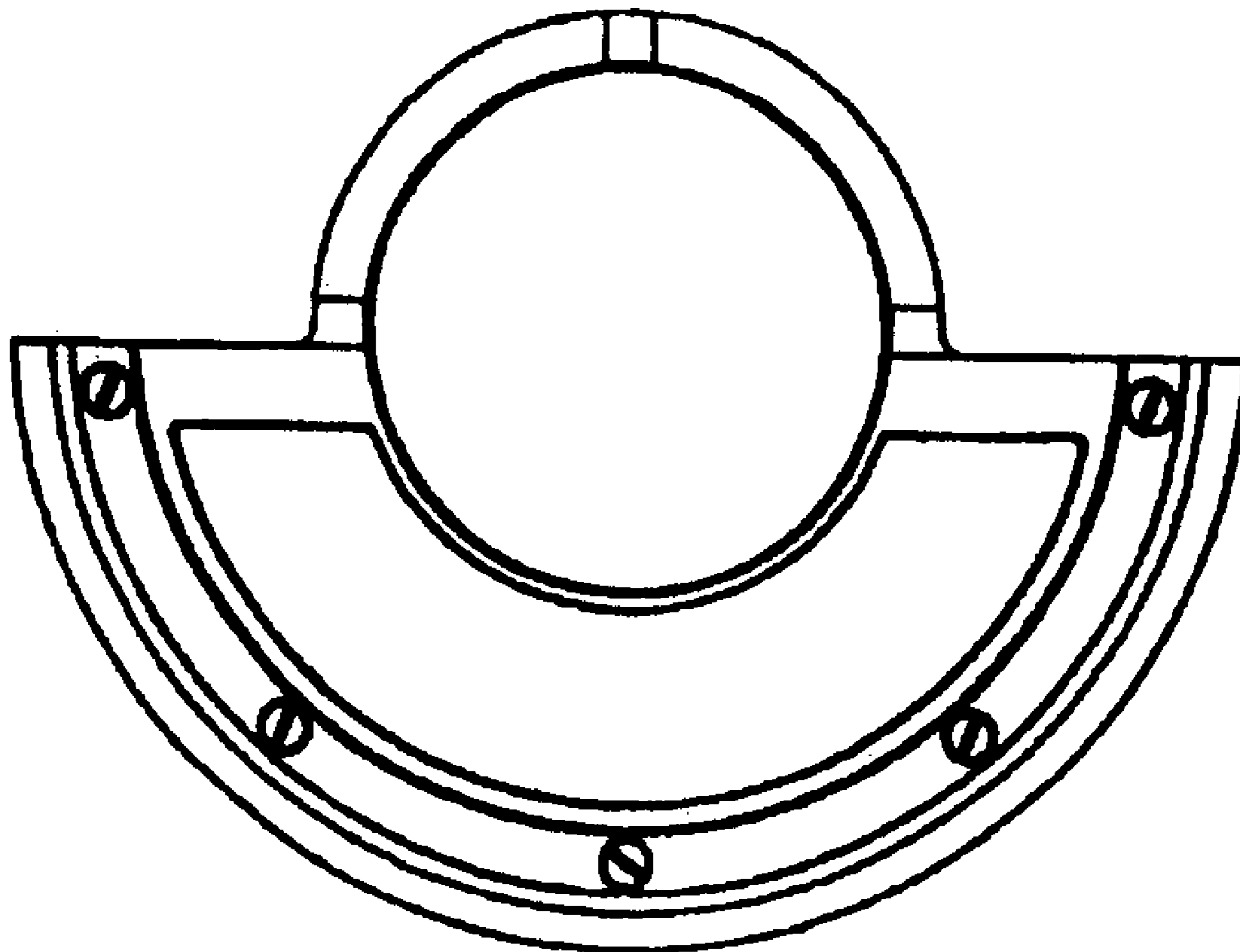
FIG. 4 is a left side view thereof;

FIG. 5 is a top view thereof;

FIG. 6 is a bottom view thereof; and,

FIG. 7 is a perspective view thereof.

1 Claim, 3 Drawing Sheets



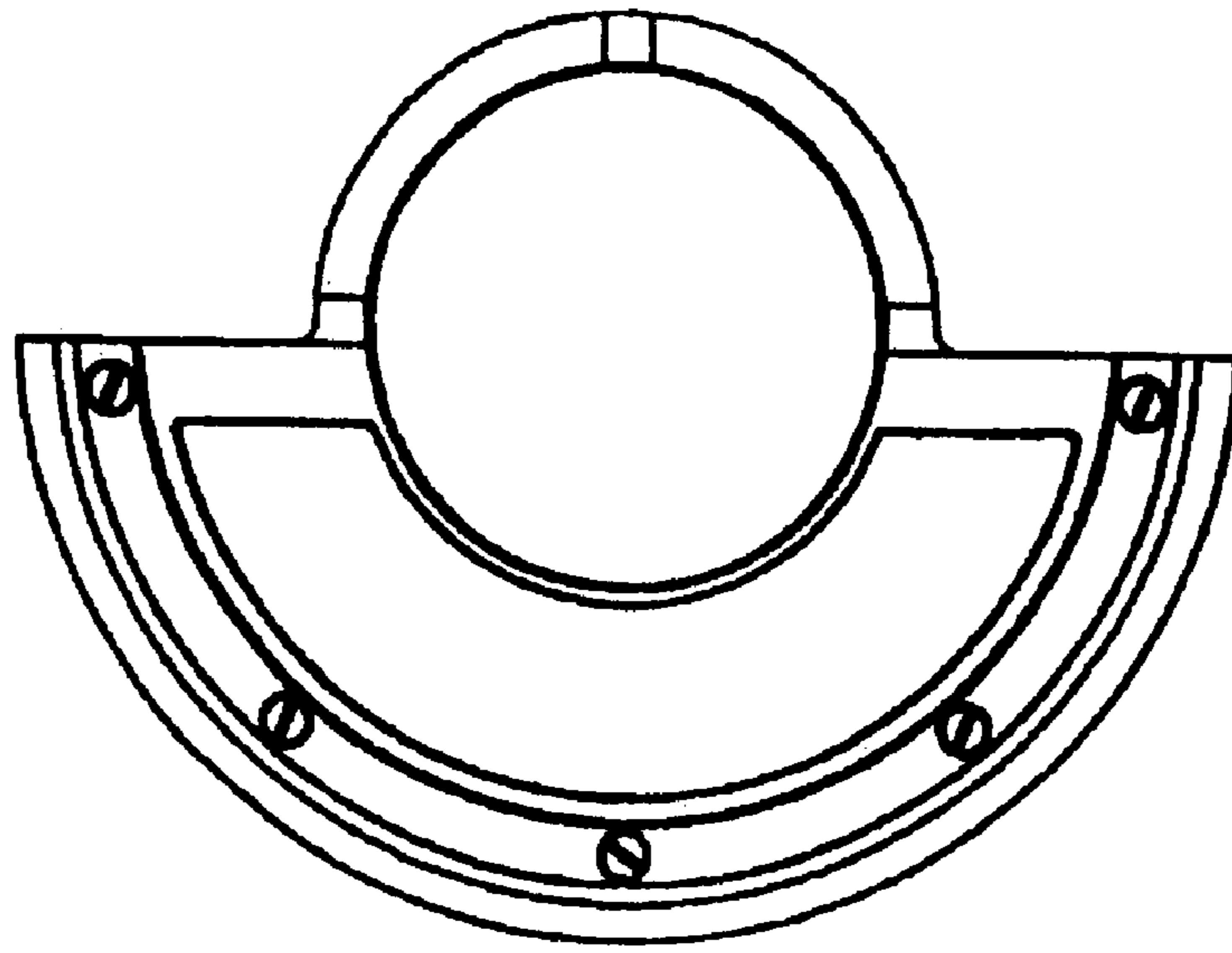


Figure 1

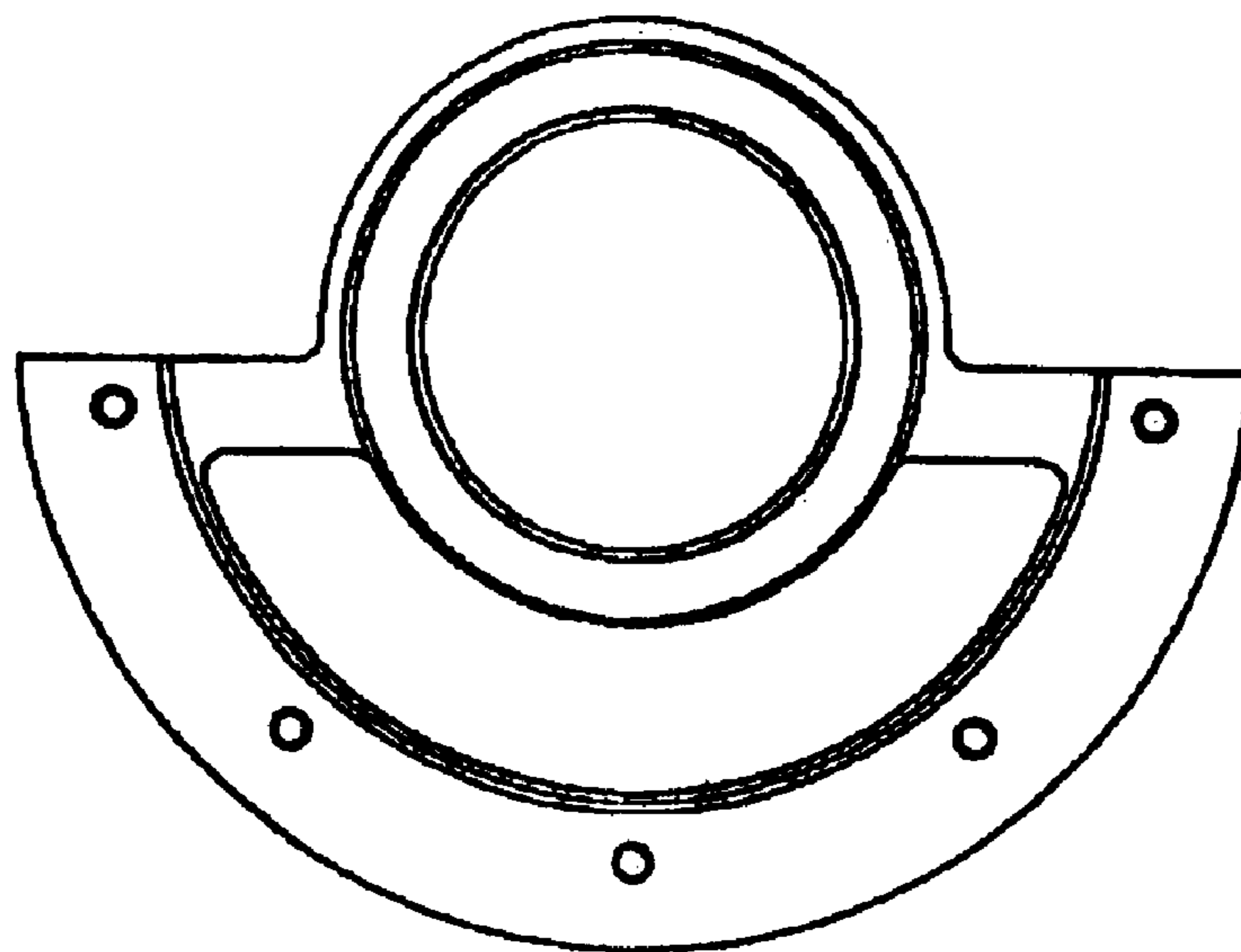


Figure 2



Figure 3



Figure 4



Figure 5

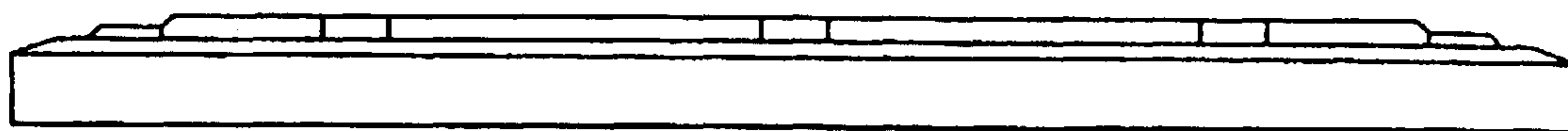


Figure 6

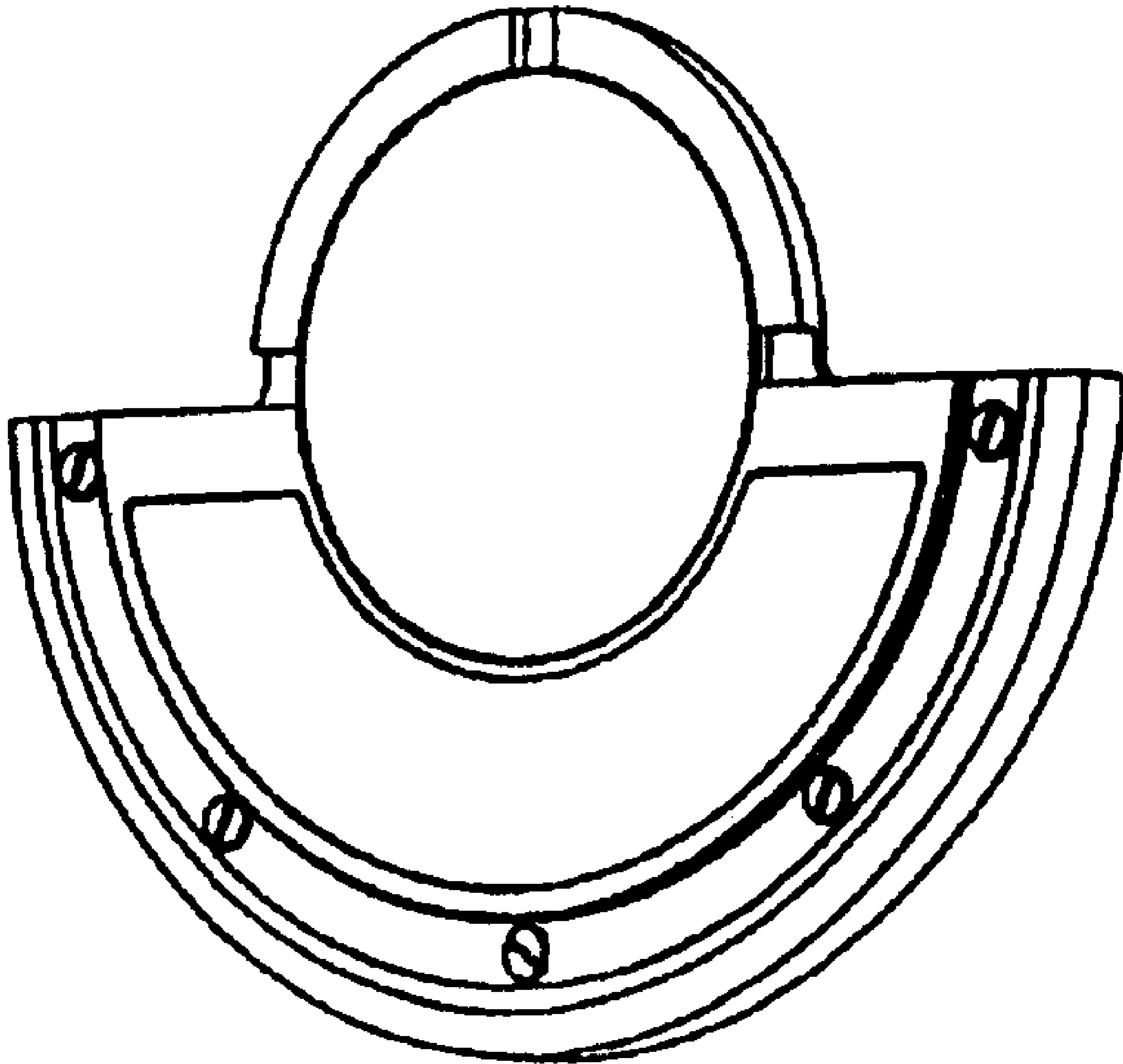


Figure 7