



US00D539181S

(12) **United States Design Patent**
Concari

(10) **Patent No.:** **US D539,181 S**

(45) **Date of Patent:** **** Mar. 27, 2007**

(54) **ALARM BASE**

(75) Inventor: **Gabriel E. Concari**, Eldersburg, MD
(US)

(73) Assignee: **Black & Decker Inc.**, Newark, DE
(US)

(**) Term: **14 Years**

(21) Appl. No.: **29/216,965**

(22) Filed: **Nov. 10, 2004**

(51) **LOC (8) Cl.** **10-05**

(52) **U.S. Cl.** **D10/104**

(58) **Field of Classification Search** D14/445,
D14/441, 146, 240, 388, 349, 383, 159; D13/171,
D13/169; D10/106, 104; 340/567, 562, 561,
340/556, 555

See application file for complete search history.

(56) **References Cited**

U.S. PATENT DOCUMENTS

5,015,994	A	*	5/1991	Hoberman et al.	340/567
D370,863	S	*	6/1996	Carmi	D10/106
5,739,753	A	*	4/1998	Porter	340/555
D410,004	S	*	5/1999	LaPorte et al.	D14/146
D423,496	S	*	4/2000	Chuang	D14/146
D459,670	S	*	7/2002	Bergstrom	D10/104
D460,706	S	*	7/2002	Berrios et al.	D10/104
D463,304	S	*	9/2002	Berrios et al.	D10/104
D472,486	S	*	4/2003	Eckel et al.	D10/104

D490,396	S	*	5/2004	Yamaguchi et al.	D14/159
D516,068	S	*	2/2006	Walter	D14/383
D525,160	S	*	7/2006	Kurata	D10/104
2005/0030180	A1	*	2/2005	Pantus et al.	340/556

* cited by examiner

Primary Examiner—Cathron C. Brooks

Assistant Examiner—Austin Murphy

(74) *Attorney, Agent, or Firm*—Harness, Dickey & Pierce,
P.L.C.

(57) **CLAIM**

The ornamental design for an alarm base, as shown and described.

DESCRIPTION

FIG. 1 is a perspective view of an alarm base of the present invention;

FIG. 2 is a right side plan view of the alarm base of FIG. 1;

FIG. 3 is a front plan view of the alarm base of FIG. 1;

FIG. 4 is a left side plan view of the alarm base of FIG. 1;

FIG. 5 is a top plan view of the alarm base of FIG. 1;

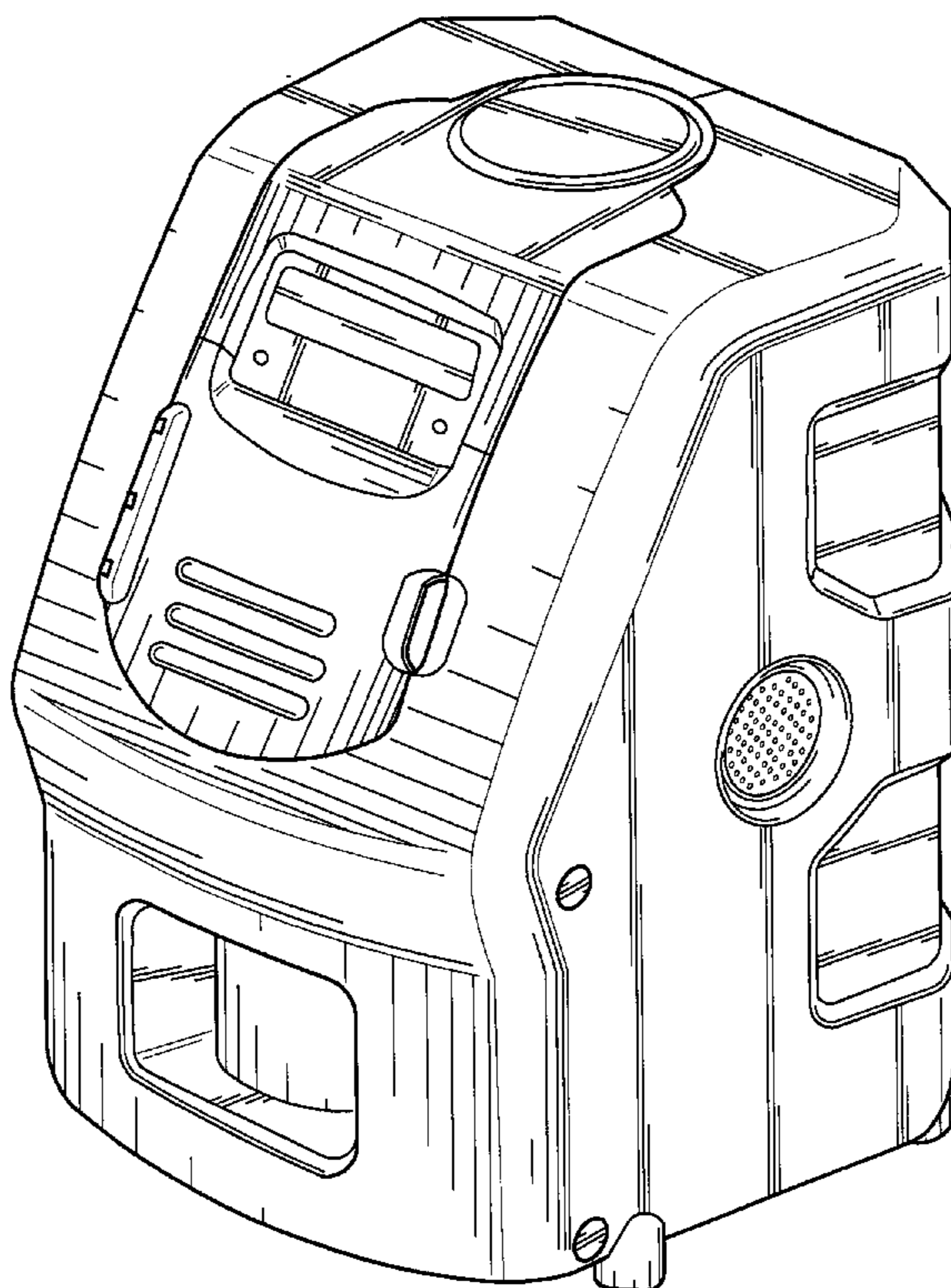
FIG. 6 is a rear plan view of the alarm base of FIG. 1;

FIG. 7 is a bottom plan view of the alarm base of FIG. 1; and,

FIG. 8 is a perspective view of the alarm base of FIG. 1 but with the cover open.

The broken lines shown in FIG. 6 form no part of the claimed design.

1 Claim, 8 Drawing Sheets



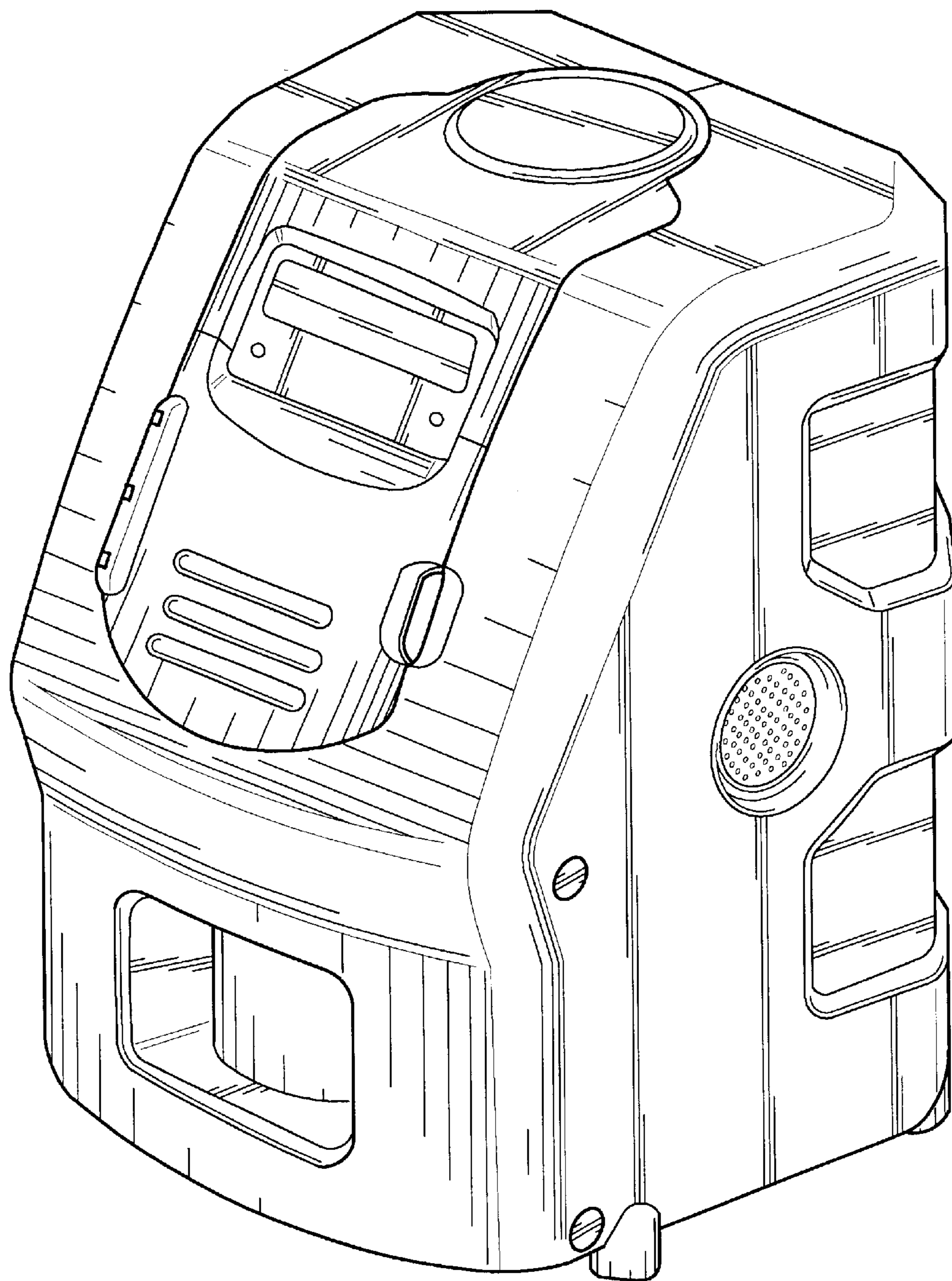


FIG - 1

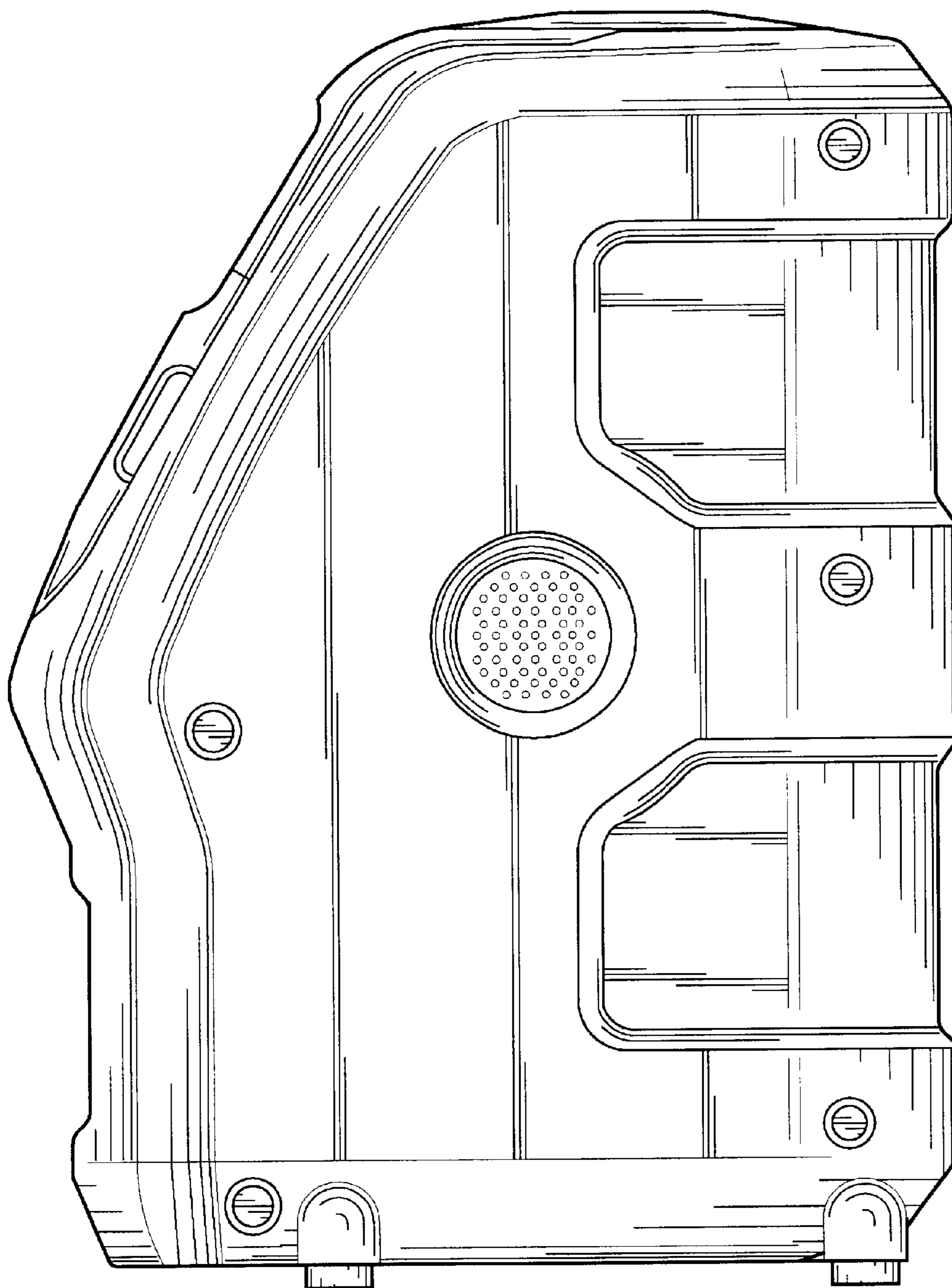


FIG - 2

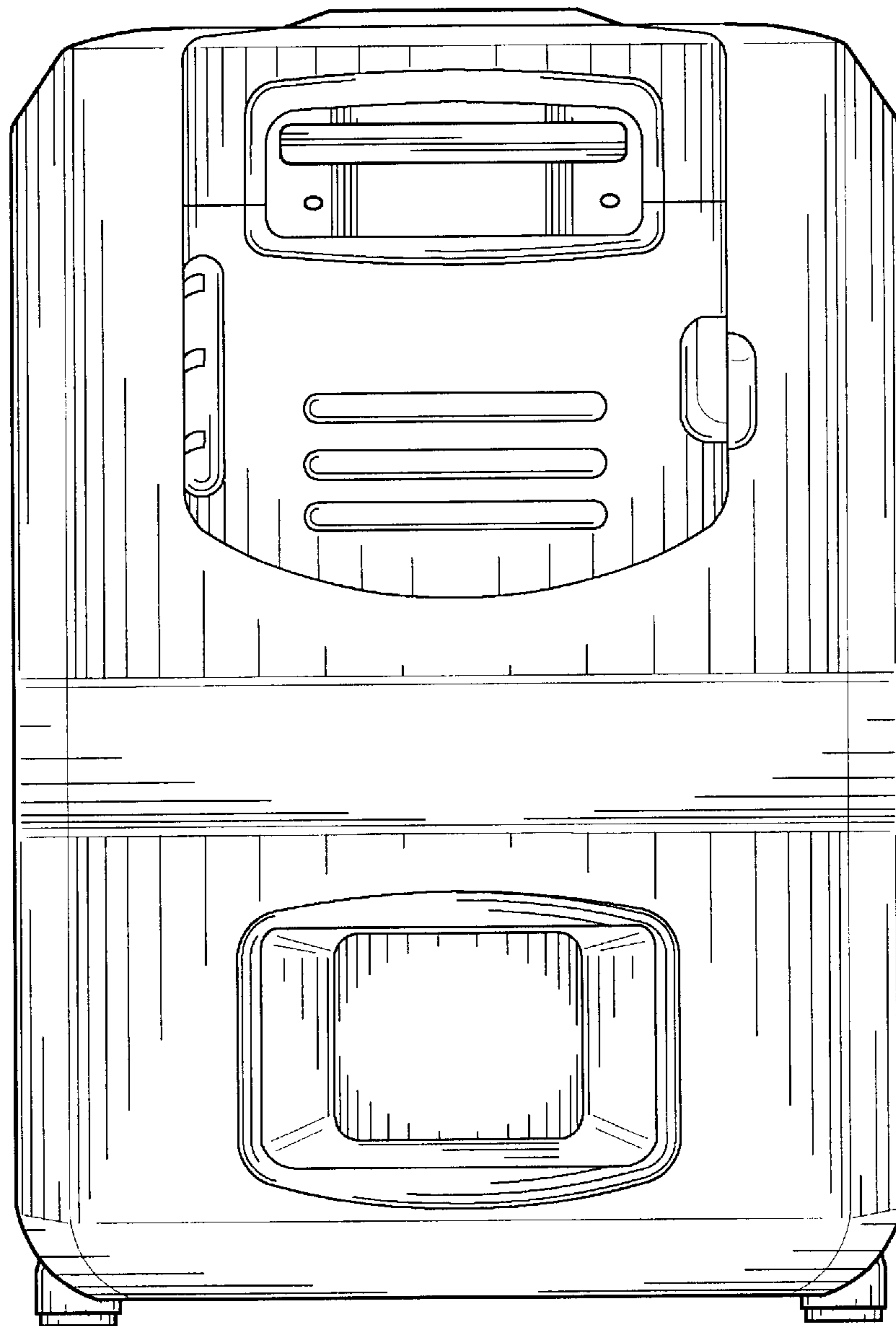


FIG - 3

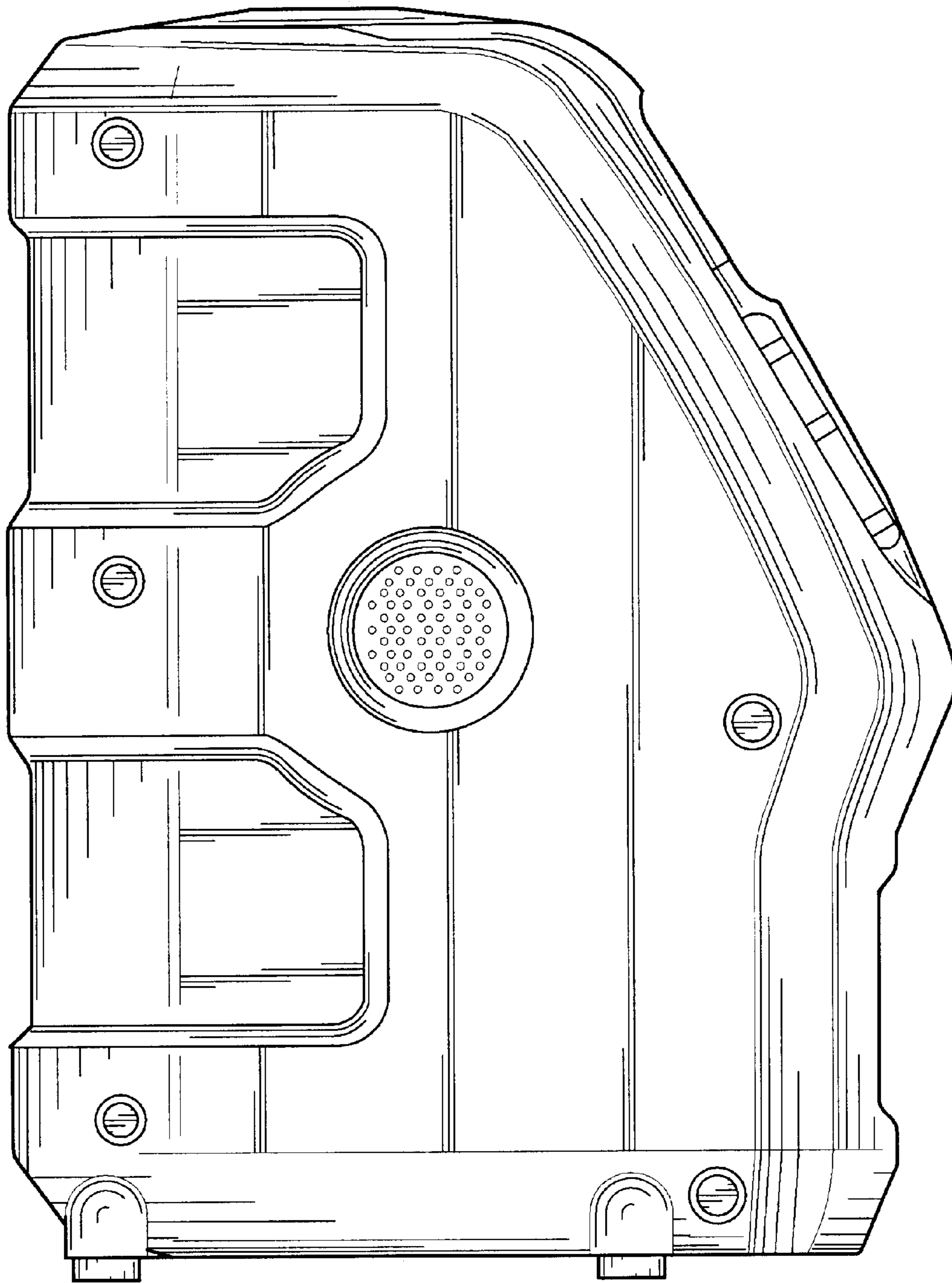


FIG - 4

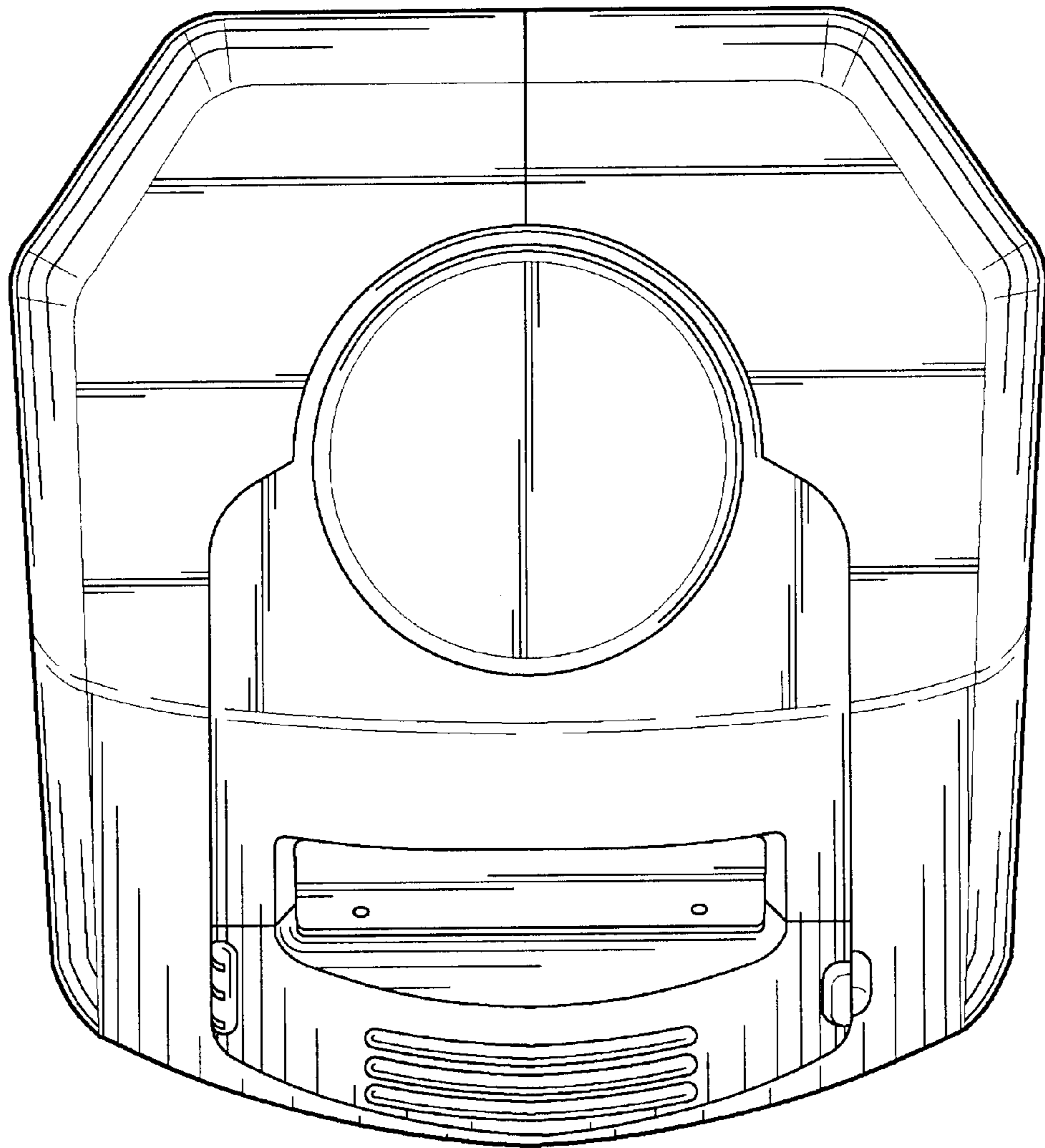


FIG - 5

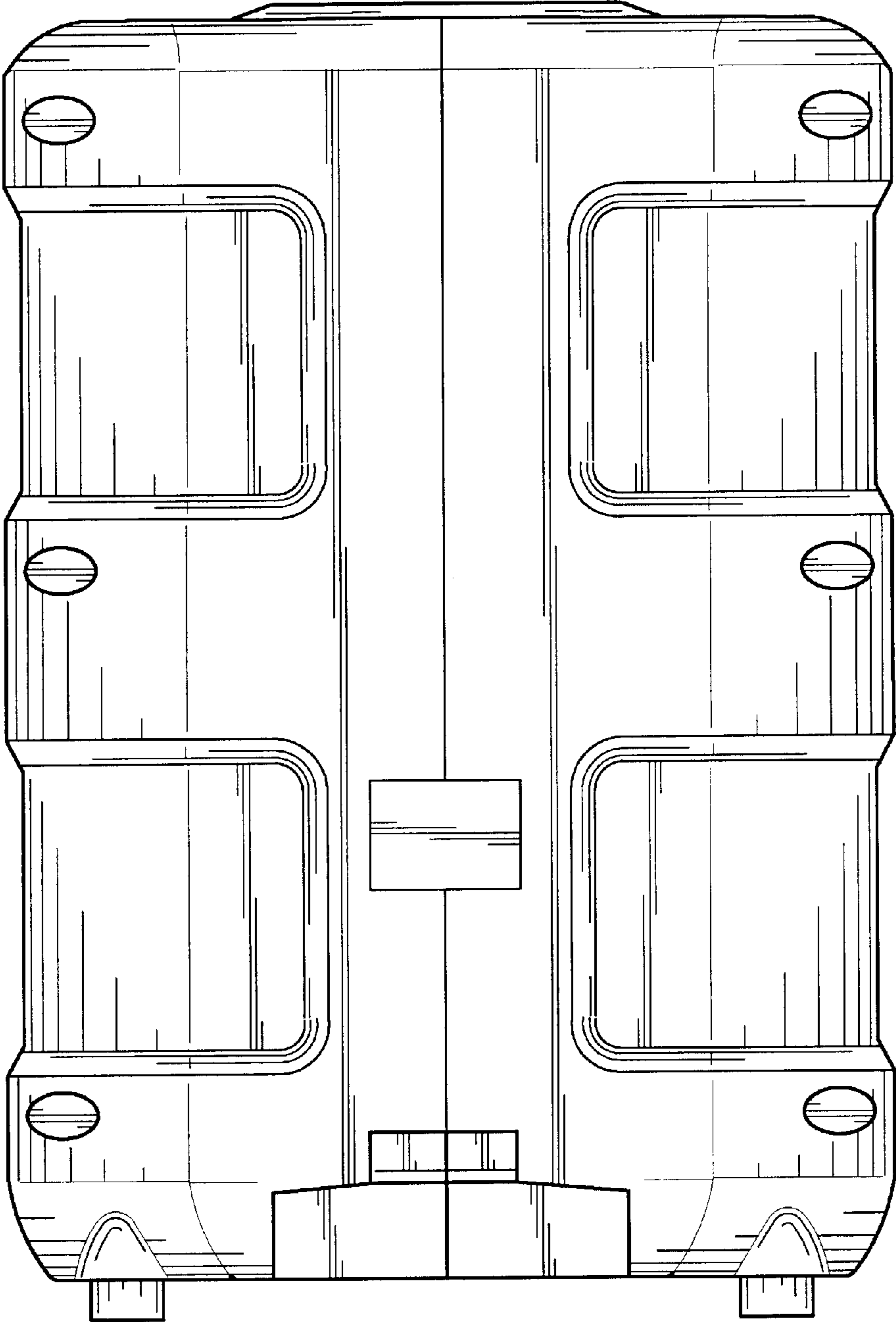


FIG - 6

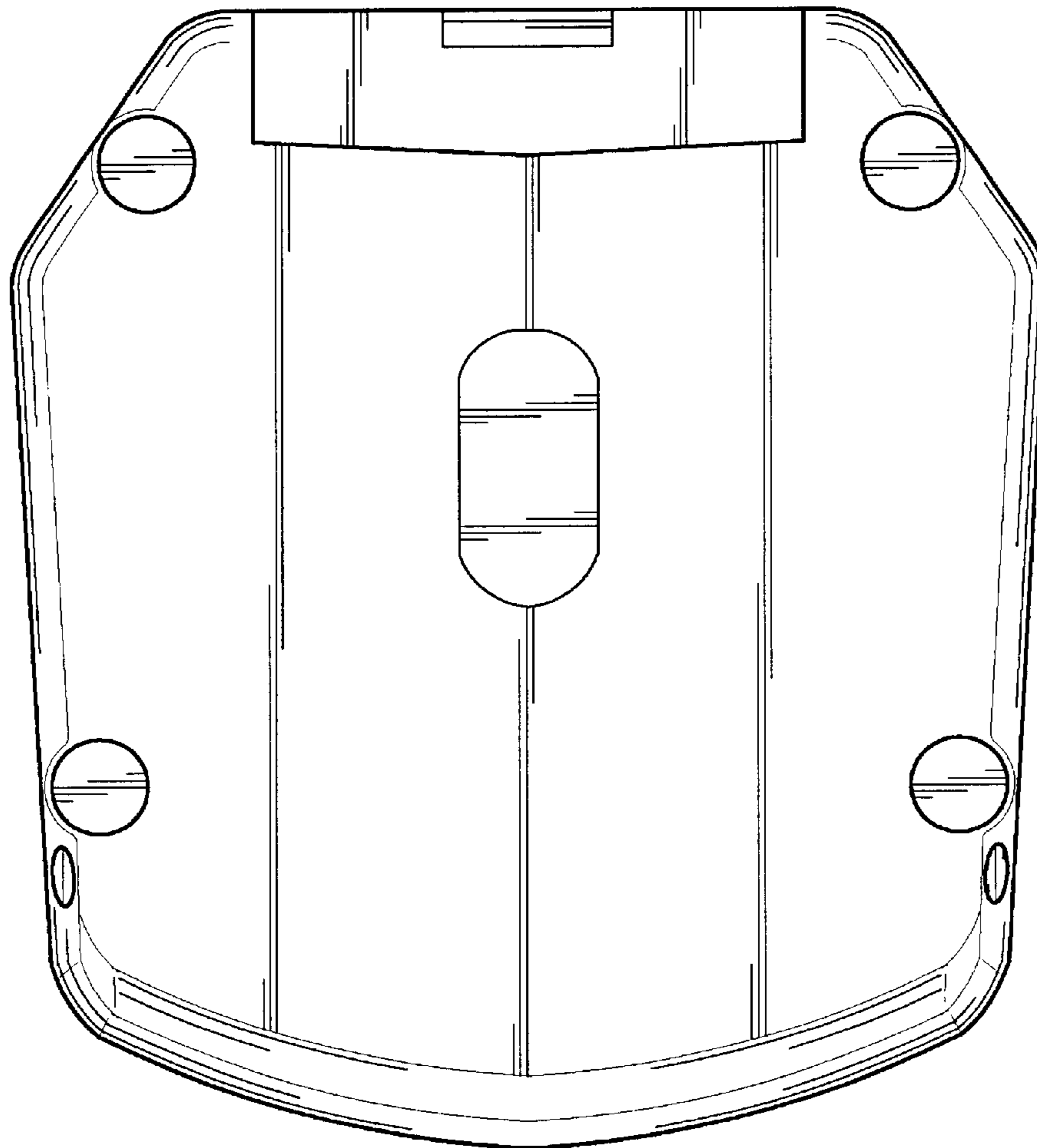


FIG - 7

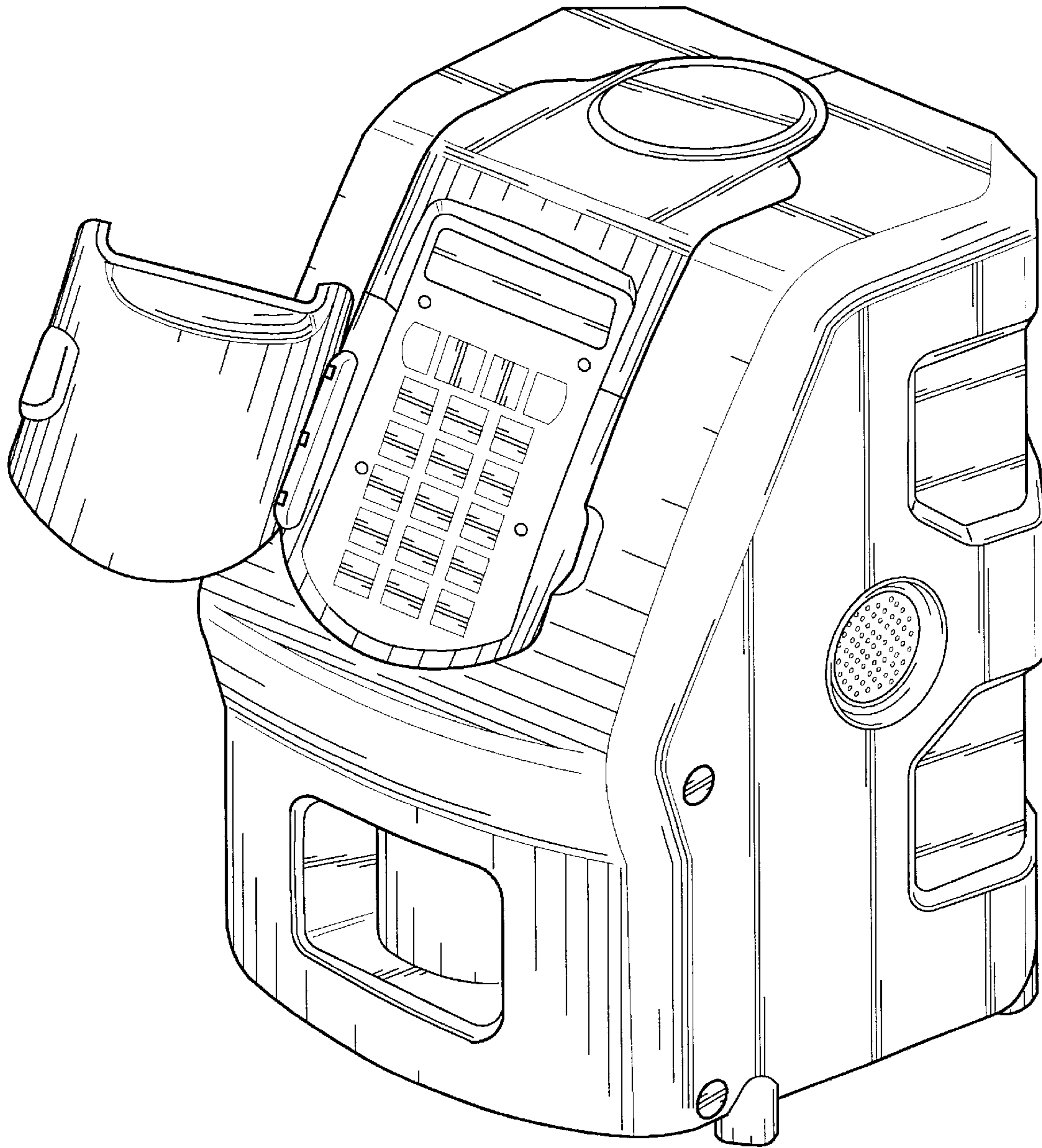


FIG - 8