



US00D539179S

(12) **United States Design Patent**
Oas

(10) **Patent No.:** **US D539,179 S**
(45) **Date of Patent:** **** Mar. 27, 2007**

(54) **HEART SHAPED PEDOMETER**

(76) Inventor: **Daniel Oas**, 6250 No. Irwindale Ave.,
Irwindale, CA (US) 91702

(**) Term: **14 Years**

(21) Appl. No.: **29/259,669**

(22) Filed: **May 12, 2006**

(51) **LOC (8) Cl.** **10-04**

(52) **U.S. Cl.** **D10/70**

(58) **Field of Classification Search** D10/70;
235/95 C, 105; 377/5, 24.2, 26; 702/144,
702/160, 176

See application file for complete search history.

(56) **References Cited**

U.S. PATENT DOCUMENTS

D501,801 S * 2/2005 Wolff D10/70
D526,227 S * 8/2006 Oas D10/70

* cited by examiner

Primary Examiner—Antoine D. Davis
(74) *Attorney, Agent, or Firm*—Edgar W. Averill, Jr.;
Kenneth L. Green

(57) **CLAIM**

The ornamental design for a heart shaped pedometer, as shown and described.

DESCRIPTION

FIG. 1 is a perspective view showing the front, left side and bottom of a pedometer showing my new design.

FIG. 2 is a front view thereof.

FIG. 3 is a bottom view thereof.

FIG. 4 is a left side view thereof.

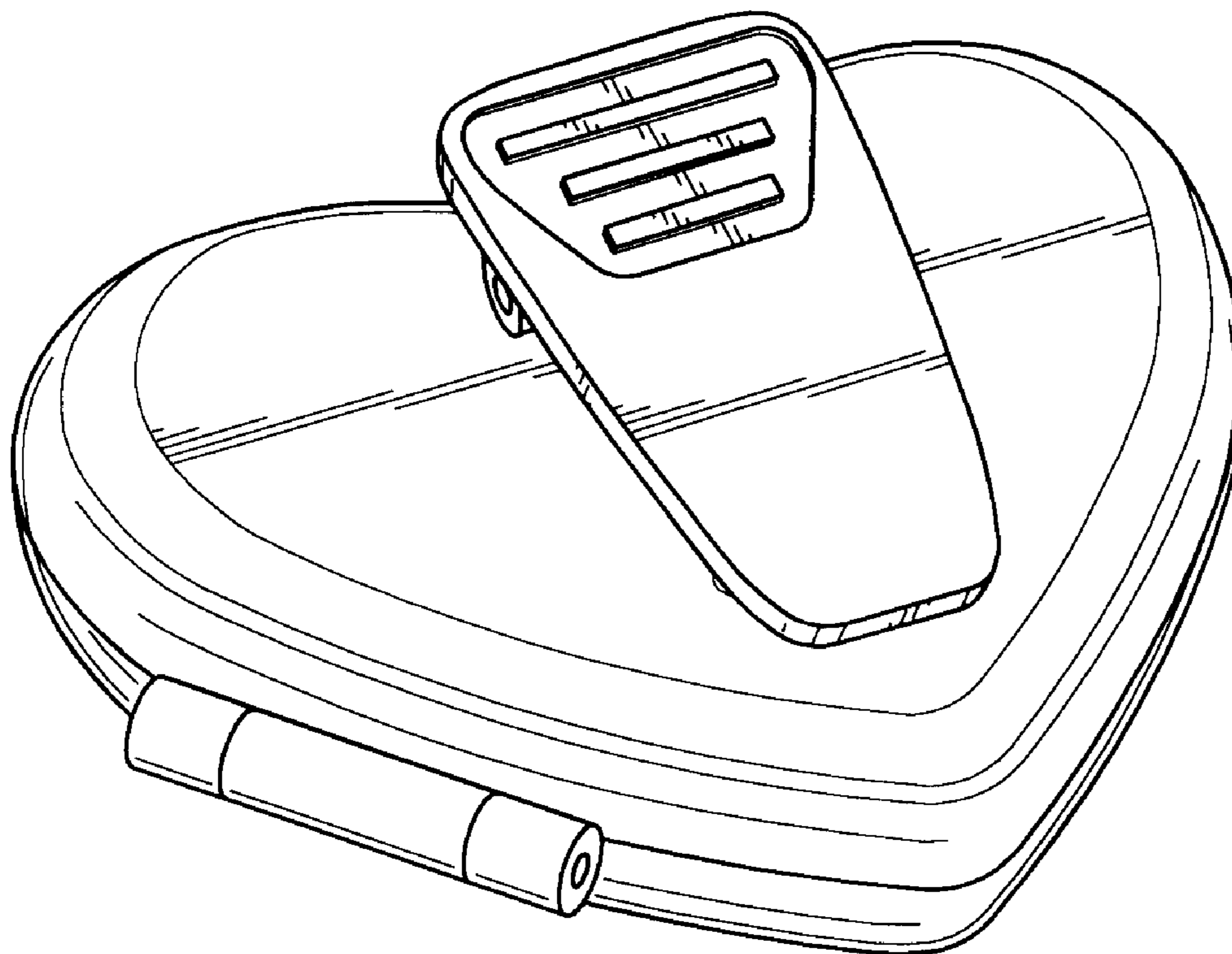
FIG. 5 is a right side view thereof.

FIG. 6 is a top view thereof.

FIG. 7 is a back view thereof; and,

FIG. 8 is a front view thereof with the cover open.

1 Claim, 4 Drawing Sheets



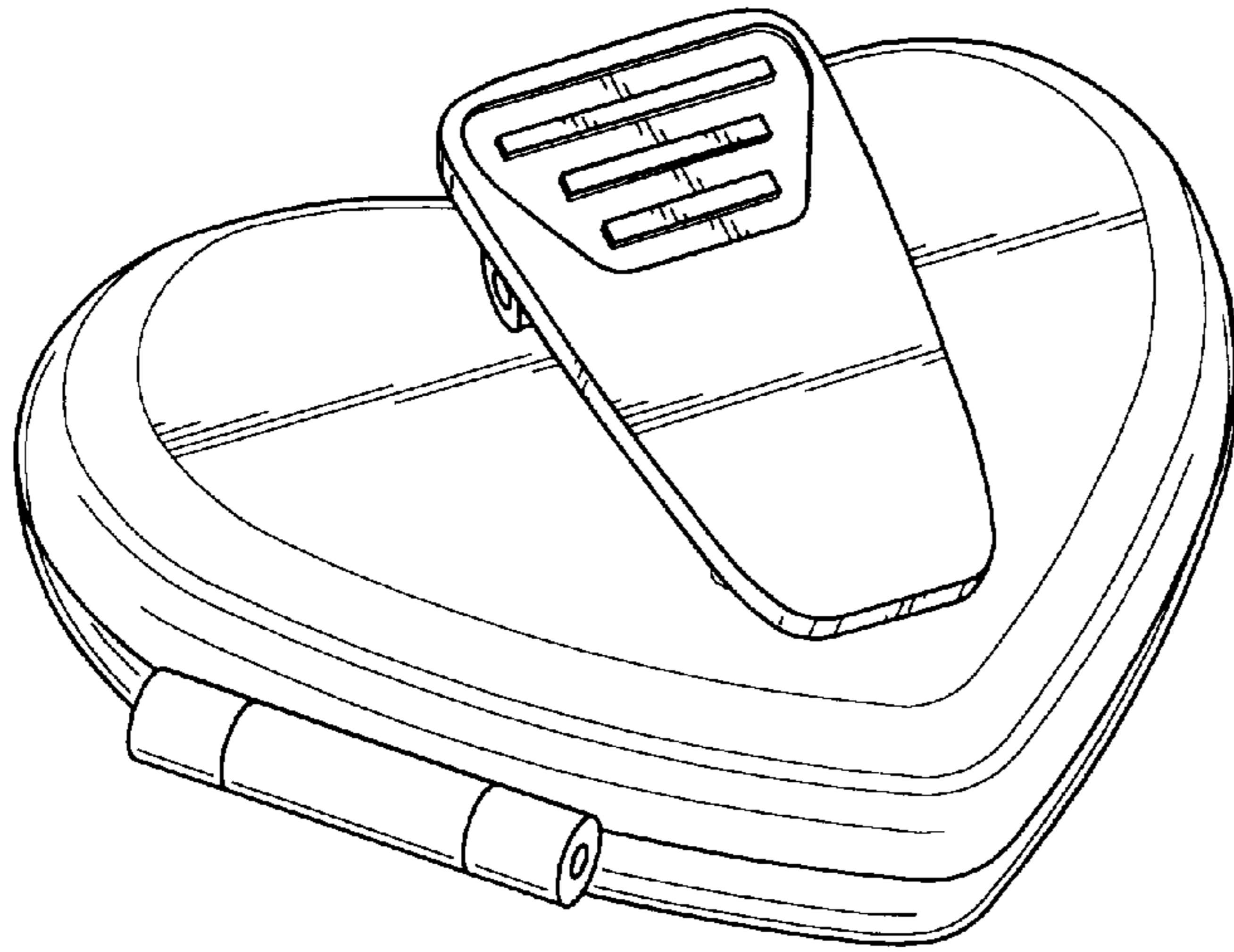


FIG. 1

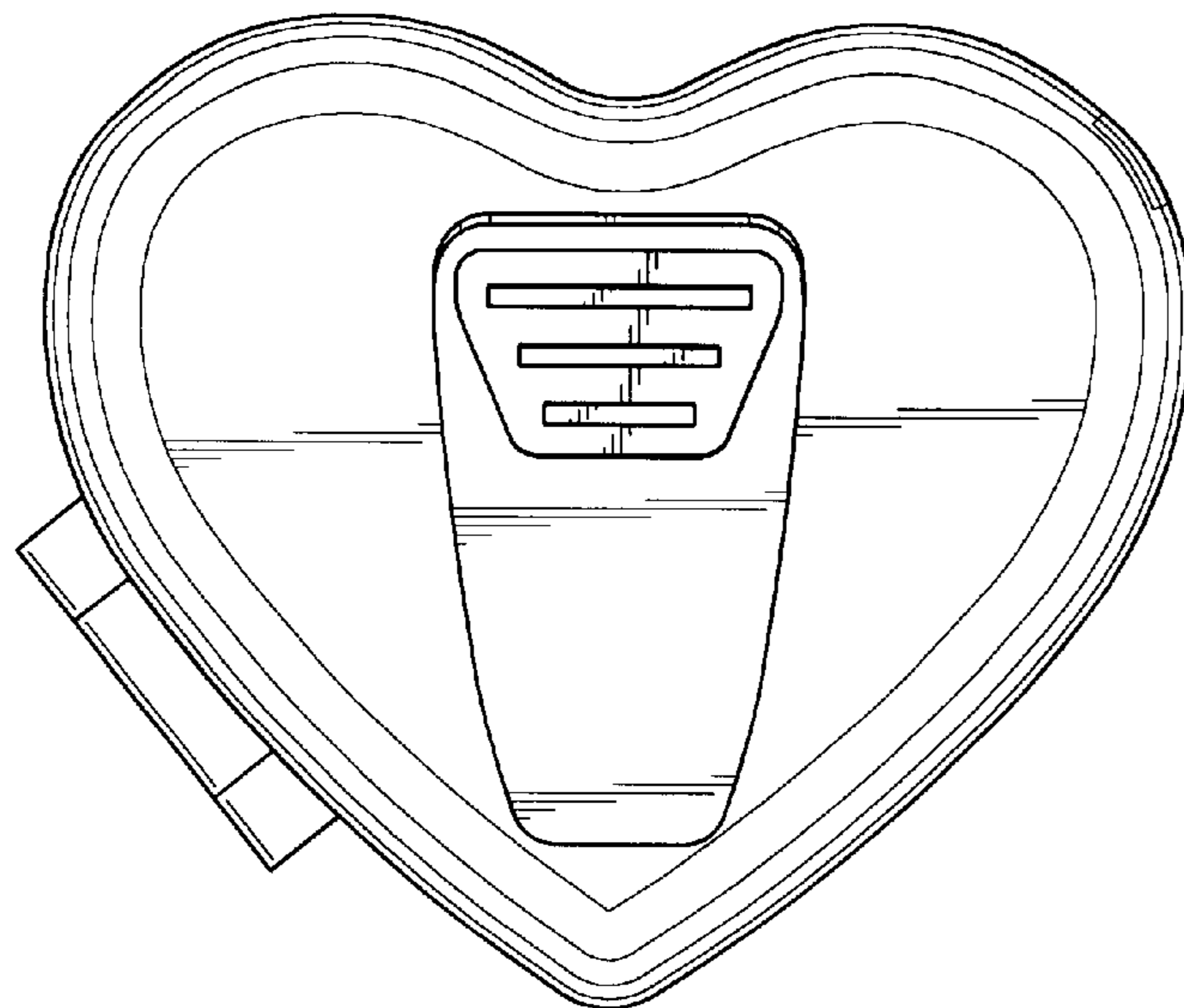


FIG. 2

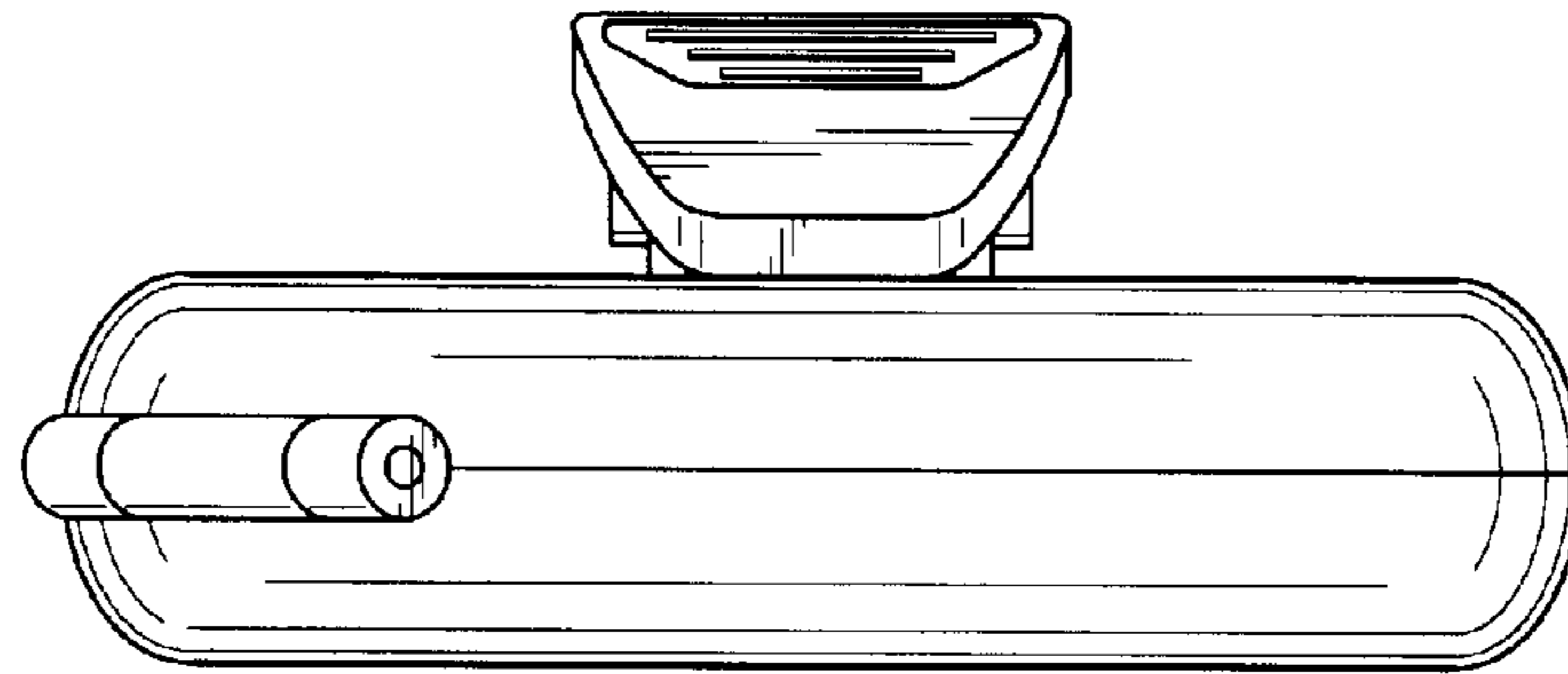


FIG. 3

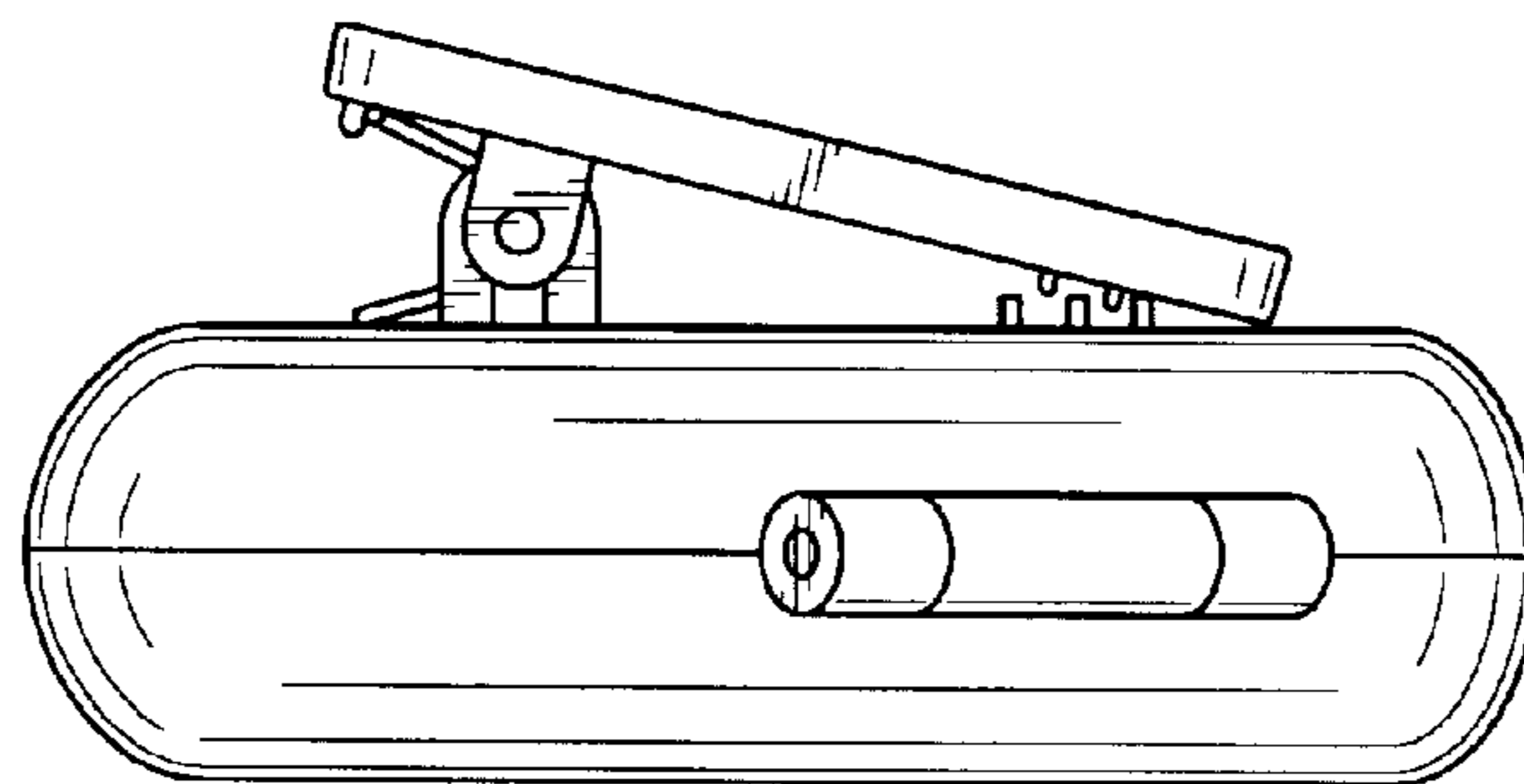


FIG. 4

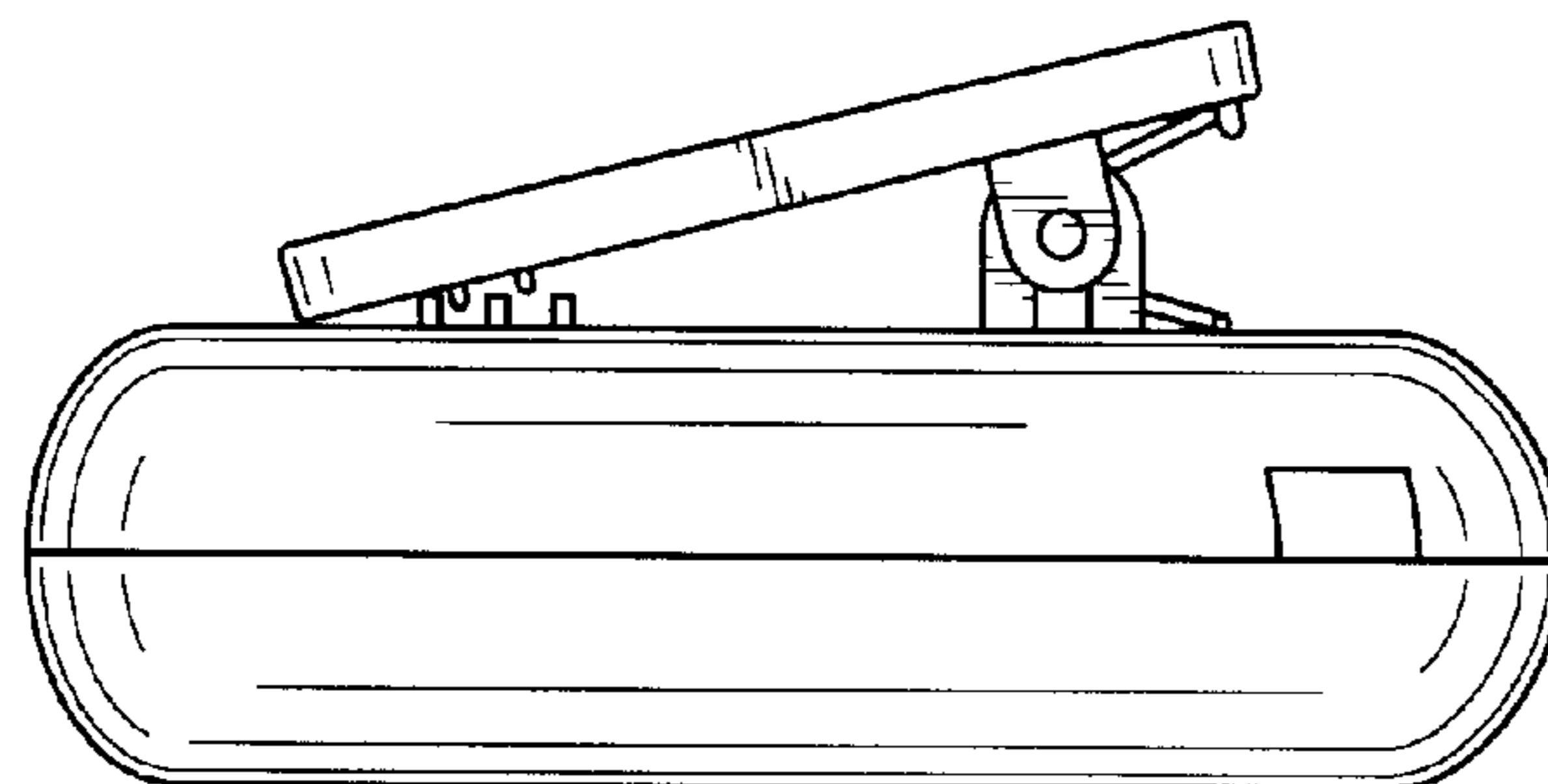


FIG. 5

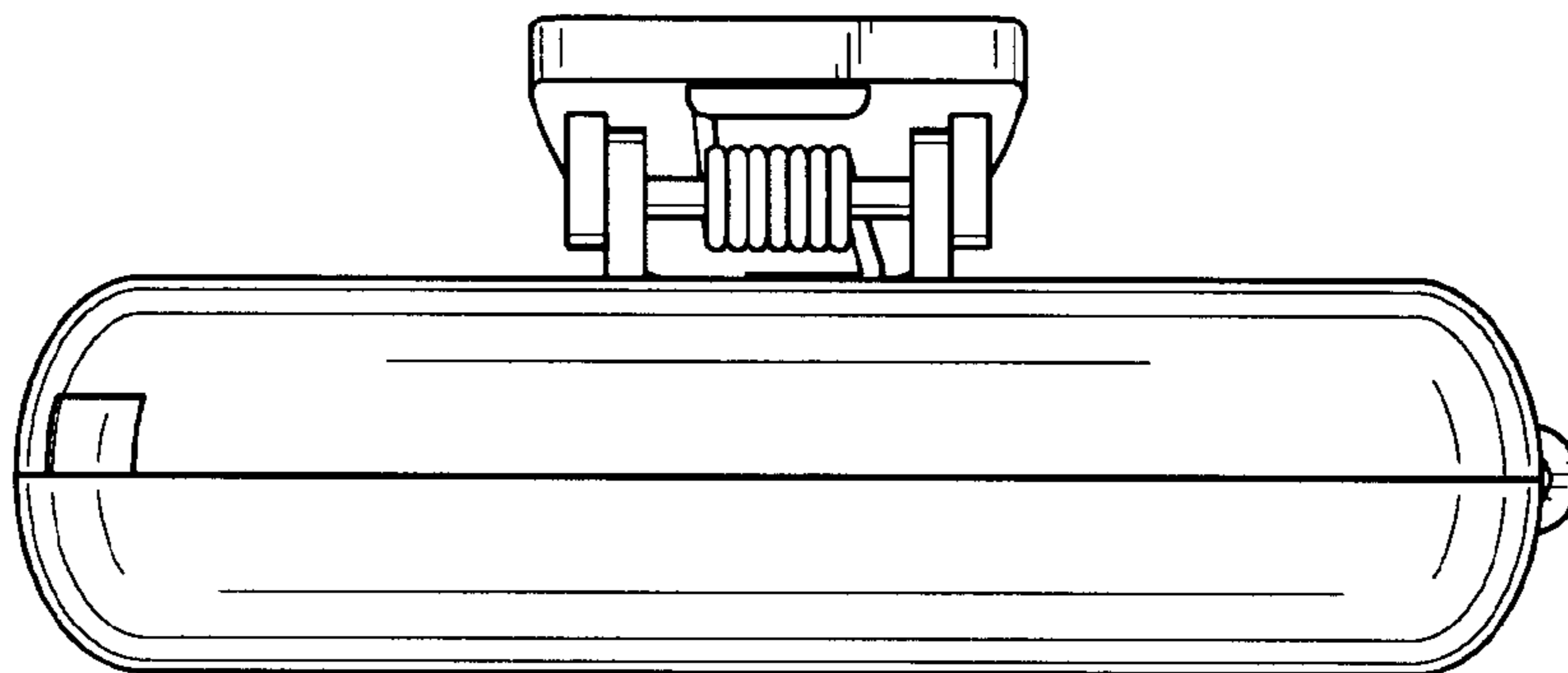


FIG. 6

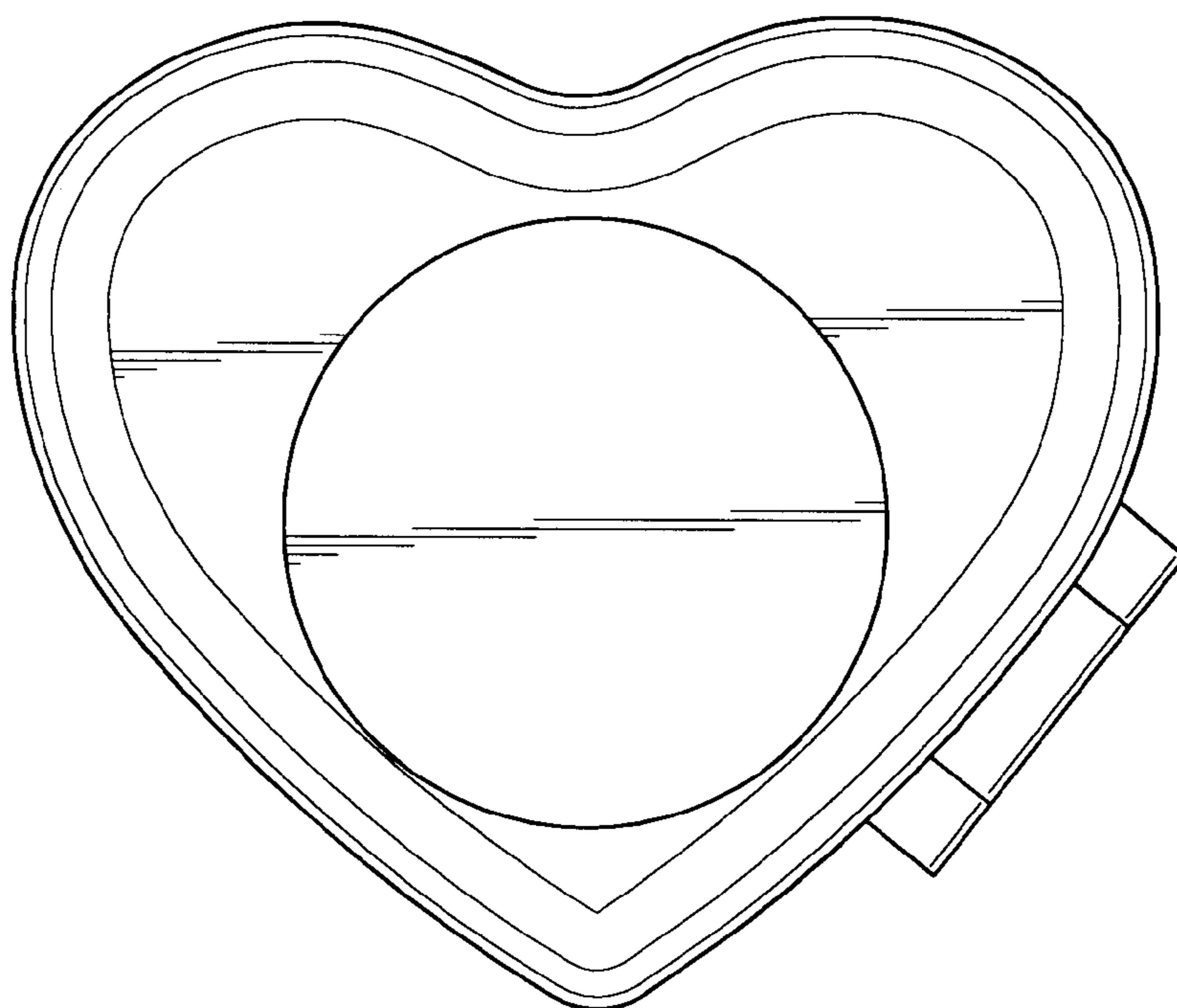


FIG. 7

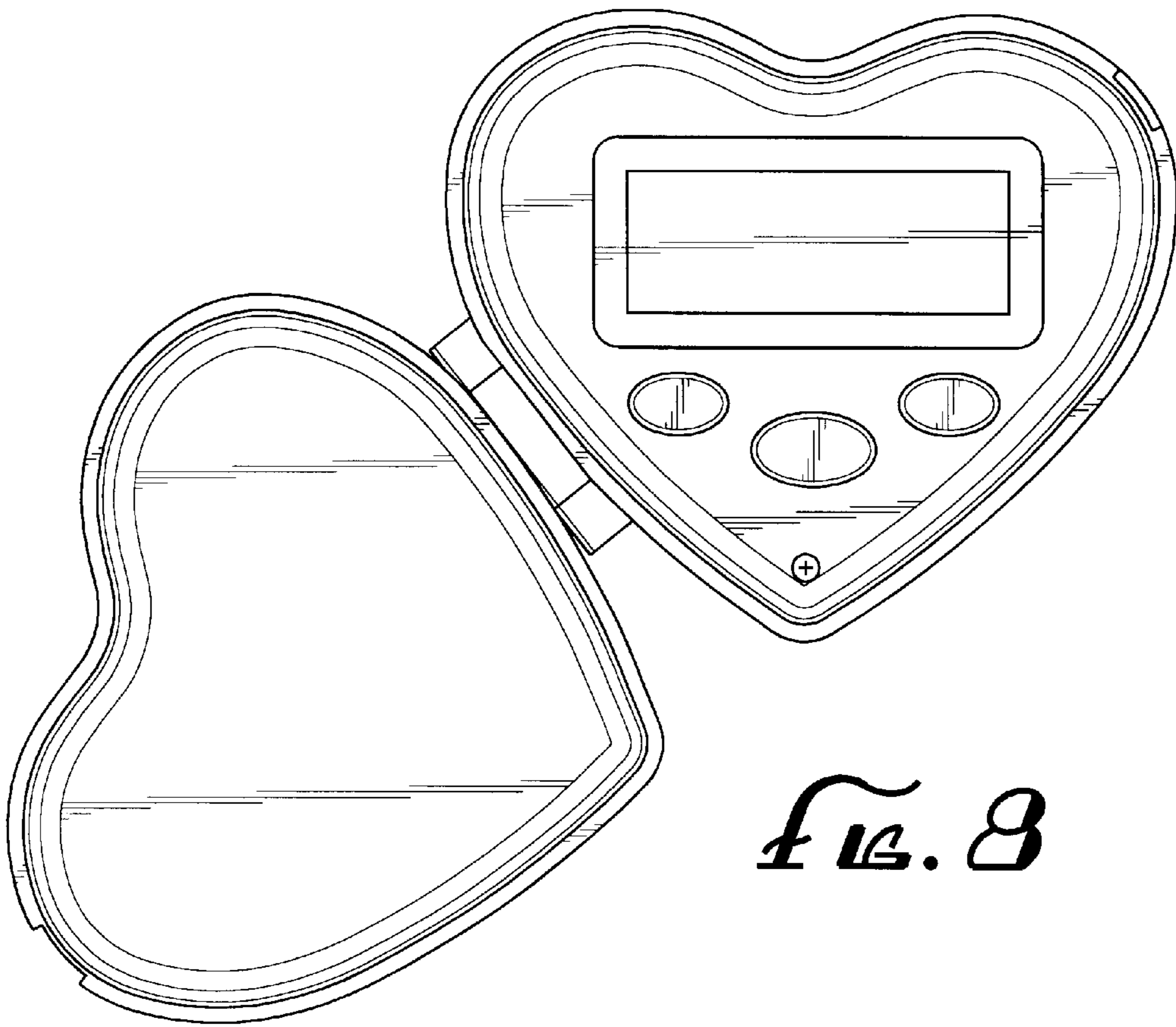


FIG. 8