



US00D539176S

(12) **United States Design Patent**
Lillegard et al.

(10) **Patent No.:** **US D539,176 S**

(45) **Date of Patent:** **** Mar. 27, 2007**

(54) **WATCH**

(75) Inventors: **Anette Lillegard**, Reno, NV (US);
Carmen Negrea, Reno, NV (US)

(73) Assignee: **Skagen Designs, Ltd.**, Reno, NV (US)

(**) Term: **14 Years**

(21) Appl. No.: **29/238,600**

(22) Filed: **Sep. 16, 2005**

(51) **LOC (8) Cl.** **10-02**

(52) **U.S. Cl.** **D10/39**

(58) **Field of Classification Search** D10/30-39,
D10/123-126; 368/276-278, 281-283, 285,
368/228, 232

See application file for complete search history.

(56) **References Cited**

U.S. PATENT DOCUMENTS

1,675,675	A	*	7/1928	Wadsworth	368/281
D77,296	S	*	12/1928	Conant	D10/38
1,996,276	A	*	4/1935	Cowen	224/178
D151,301	S	*	10/1948	Tuffo	D10/31
D289,018	S	*	3/1987	Williams	D10/31
5,400,304	A	*	3/1995	Offenstein	368/285
D382,211	S	*	8/1997	Bodino	D10/30
D401,864	S	*	12/1998	Navera	D10/32
D420,293	S	*	2/2000	Parmigiani	D10/30

D455,358	S	*	4/2002	Mauboussin	D10/32
D456,274	S	*	4/2002	Mille	D10/30
D489,272	S	*	5/2004	Messmer	D10/38
D515,947	S	*	2/2006	Jorst et al.	D10/39

OTHER PUBLICATIONS

European Jeweler, Apr. 1983, p. 53, Rado watch.*

* cited by examiner

Primary Examiner—Lucy Lieberman

(74) *Attorney, Agent, or Firm*—Abelman, Frayne & Schwab

(57) **CLAIM**

The ornamental design for a watch, as shown and described.

DESCRIPTION

FIG. 1 is a front and right side perspective view of a watch showing our new design;

FIG. 2 is a right side elevational view thereof;

FIG. 3 is a top plan view thereof;

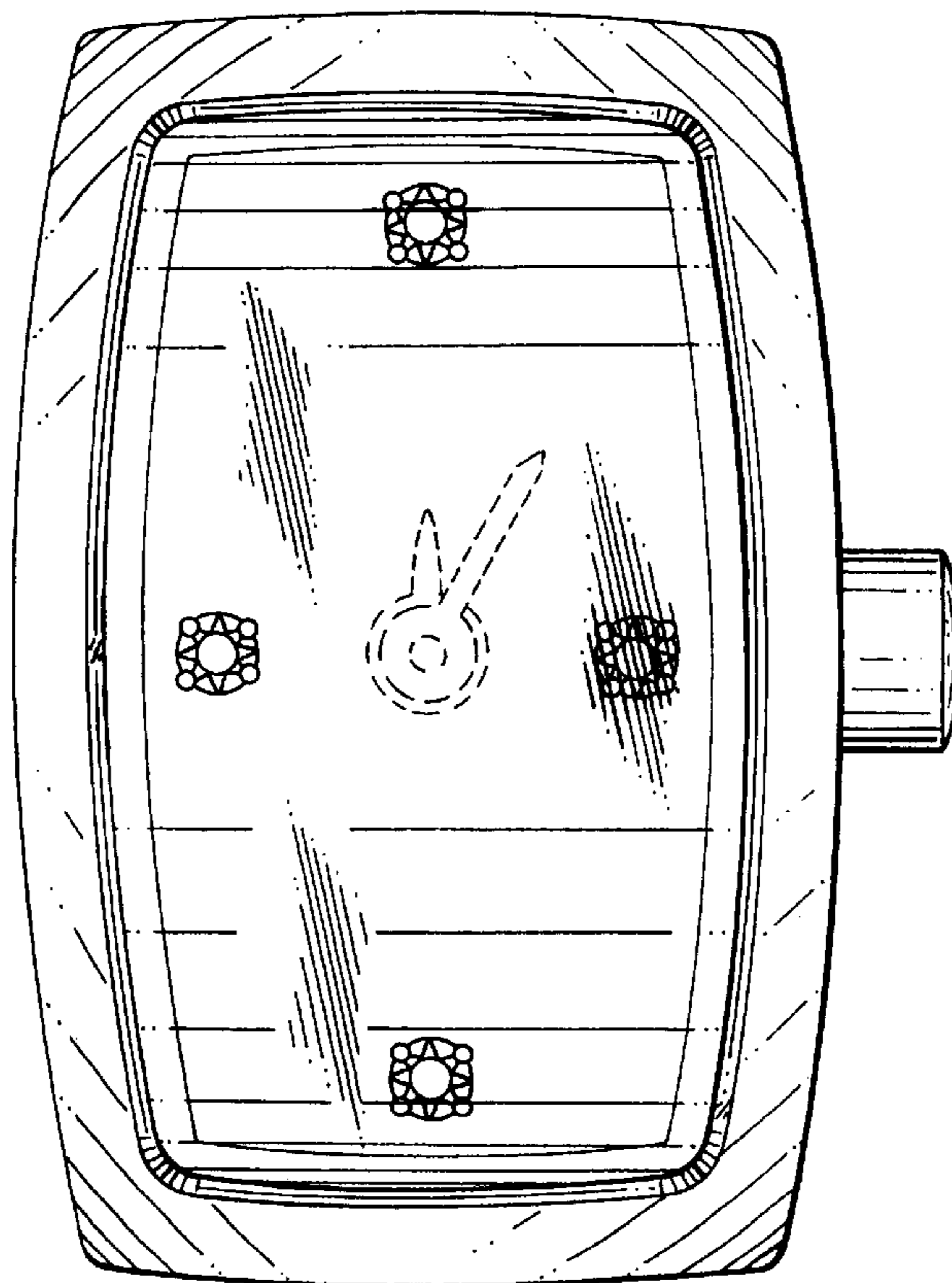
FIG. 4 is a front elevational view thereof;

FIG. 5 is a left side elevational view thereof; and,

FIG. 6 is a rear elevational view thereof.

The broken line showing portions of the watch in FIGS. 1 and 4 are for illustrative purposes only and do not form part of the claimed design.

1 Claim, 3 Drawing Sheets



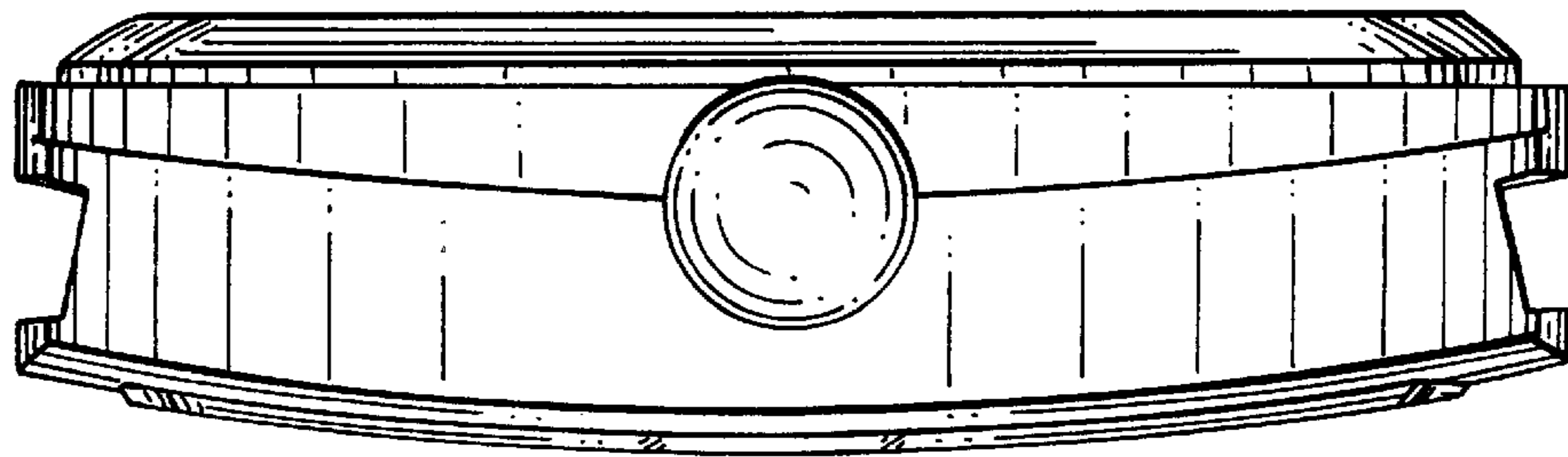


FIG. 2

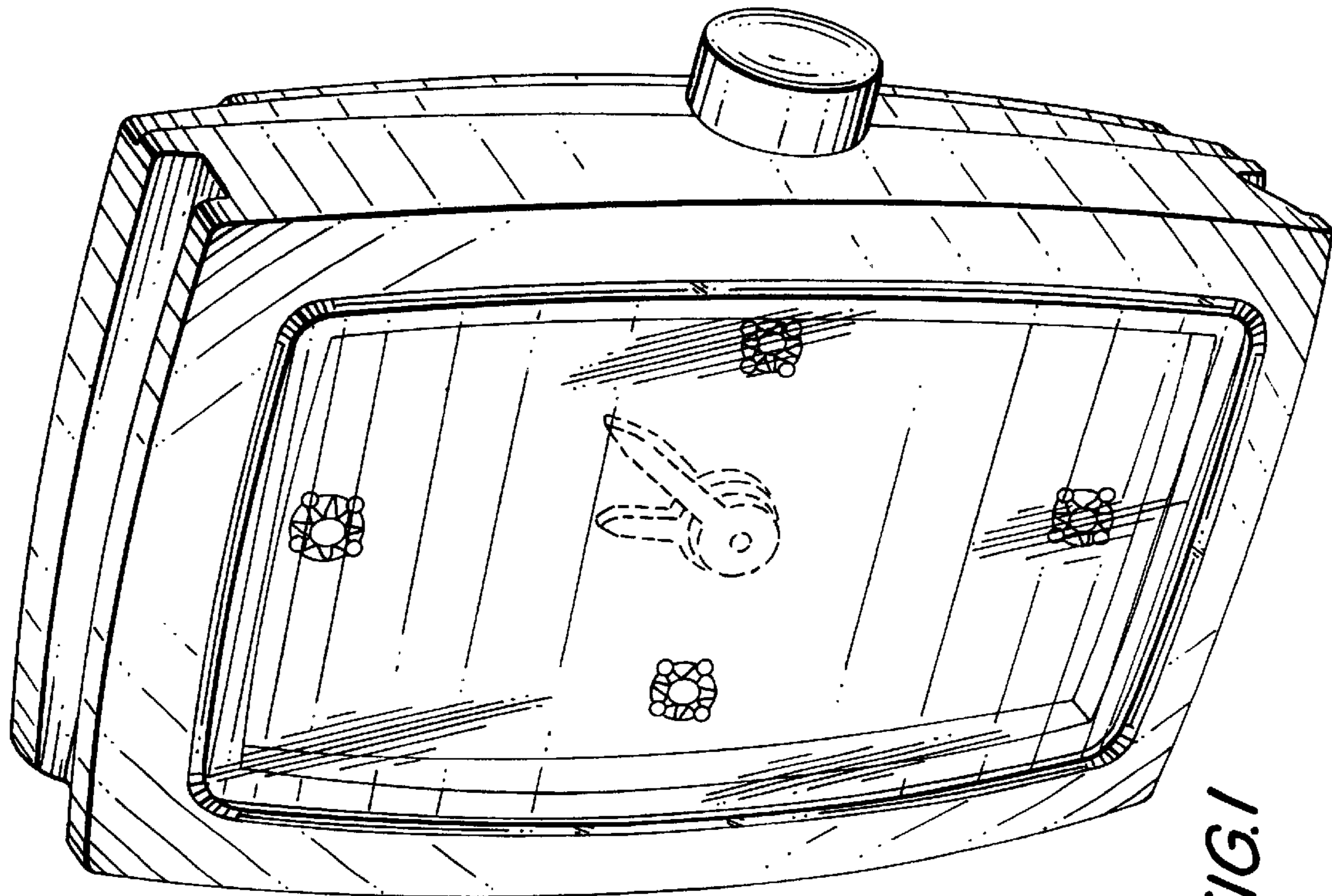


FIG. 1

FIG. 3

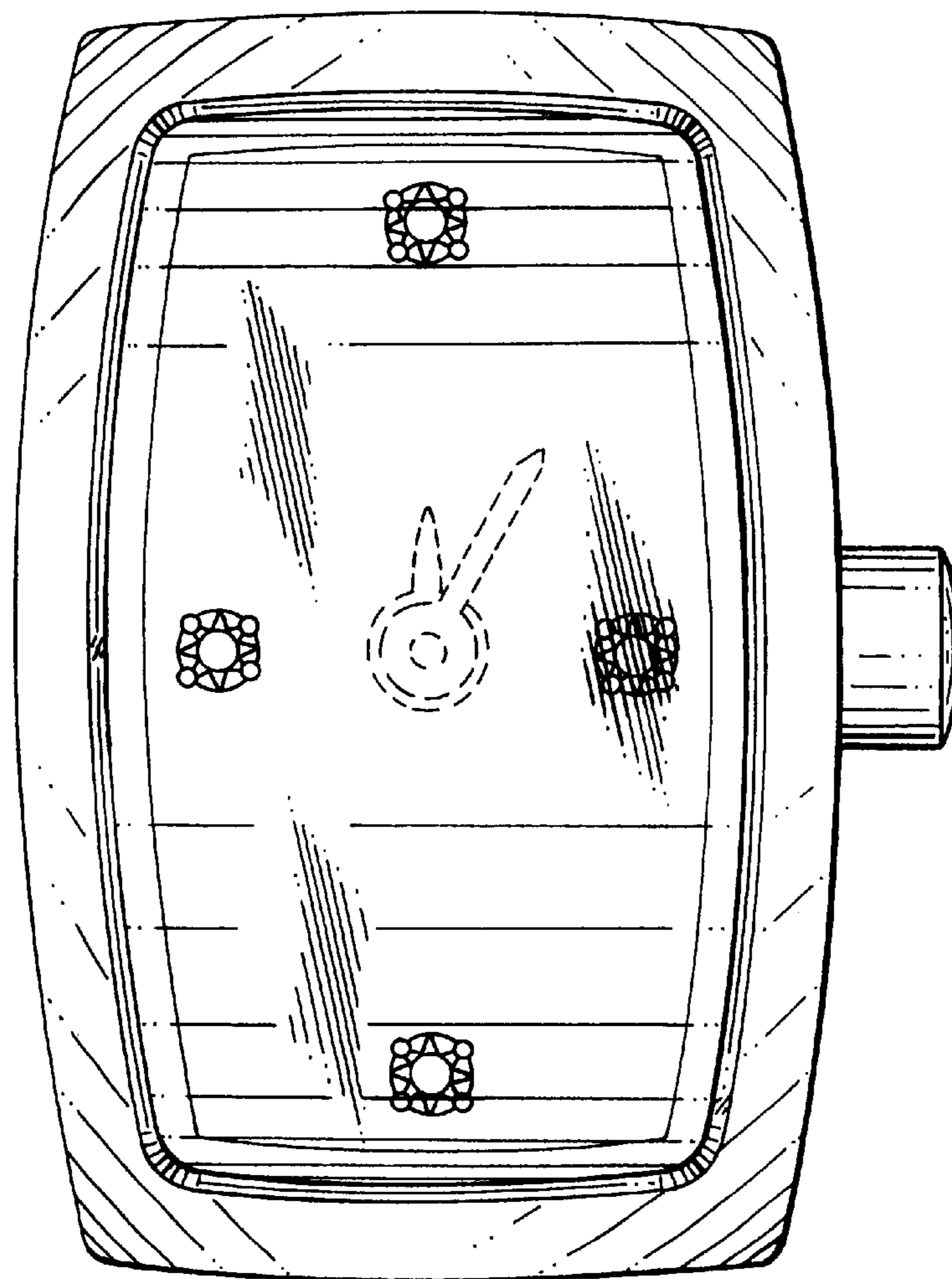
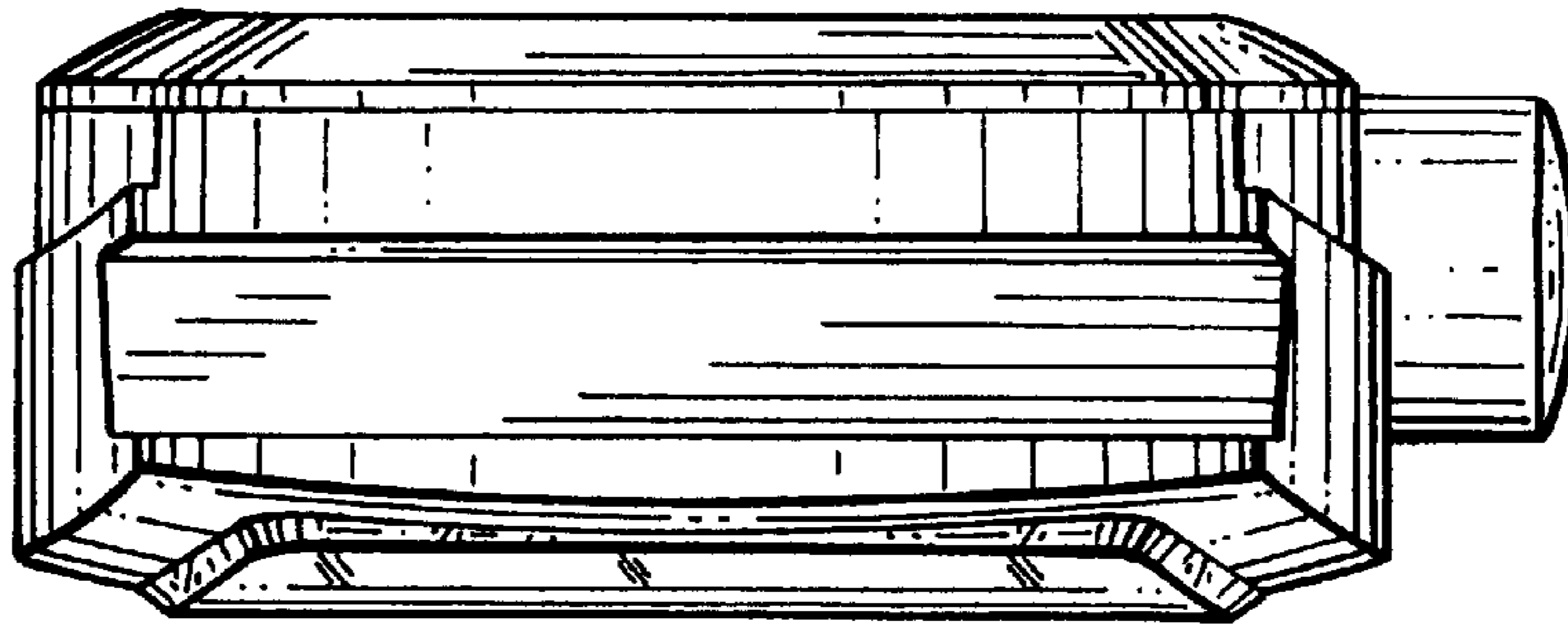


FIG. 4

FIG. 6

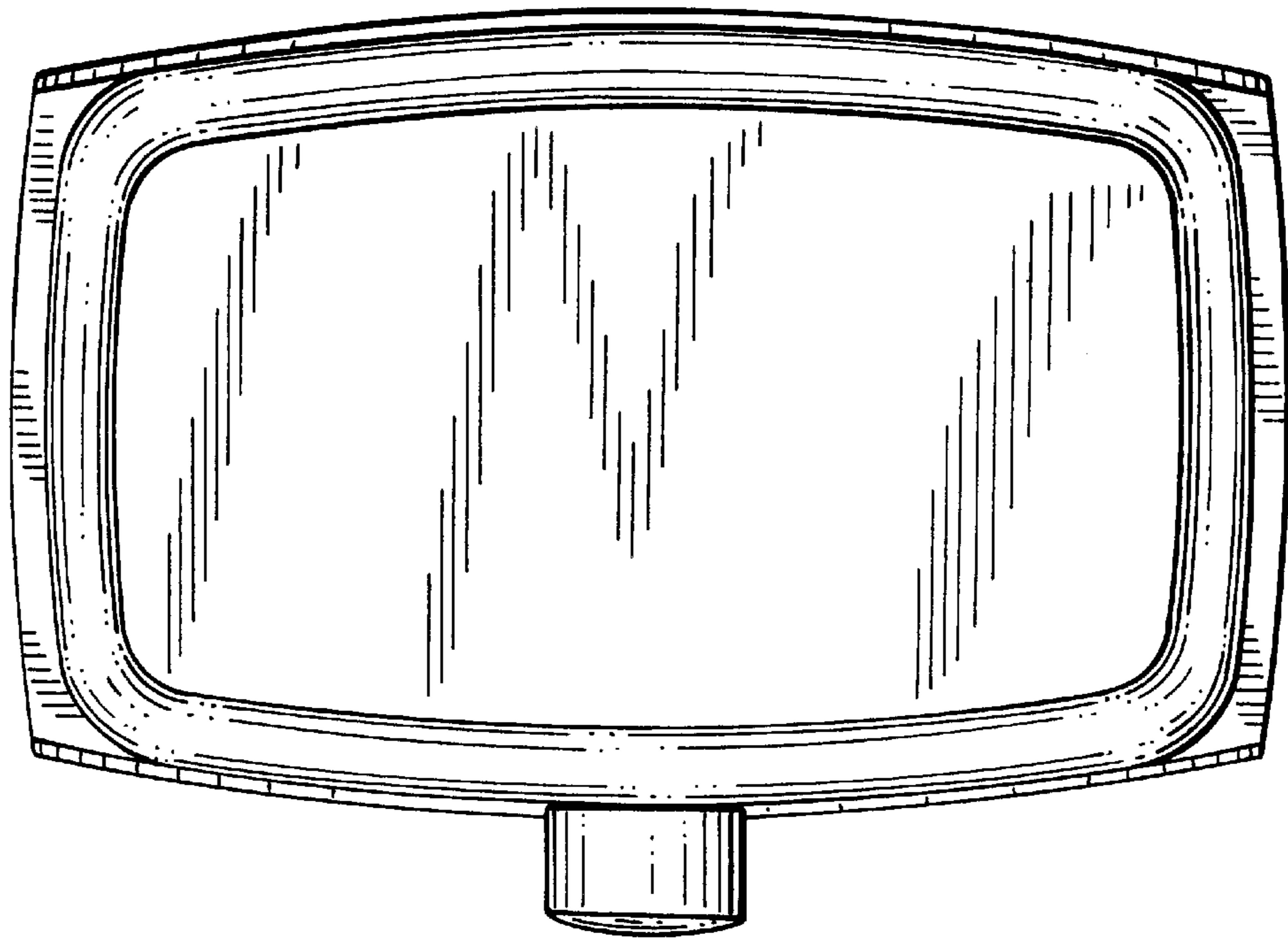


FIG. 5

