



US00D539175S

(12) **United States Design Patent**
Bolt et al.

(10) **Patent No.:** **US D539,175 S**
(45) **Date of Patent:** **** Mar. 27, 2007**

(54) **WATCH**

(76) Inventors: **Tom Bolt**, 10 Brackley Close,
Chiswick, London (GB); **Philippe Guy**
Cogoli, Flat 6, Coombe House, Devey
Close, Kingston Upon Thames KH2
7DT (GB)

(**) **Term:** **14 Years**

(21) **Appl. No.:** **29/213,858**

(22) **Filed:** **Sep. 24, 2004**

(30) **Foreign Application Priority Data**

Mar. 25, 2004 (EM) 157227

(51) **LOC (8) Cl.** **10-02**

(52) **U.S. Cl.** **D10/39**

(58) **Field of Classification Search** D10/30-39,
D10/122-129; 368/80, 223, 228-229, 232,
368/276, 280-283, 285, 28-30, 21
See application file for complete search history.

(56) **References Cited**

U.S. PATENT DOCUMENTS

- D31,673 S * 10/1899 Pank D10/126
- 2,564,270 A * 8/1951 McMillen 368/228
- D324,001 S * 2/1992 Kerr D10/128
- D379,324 S * 5/1997 Osit D10/128
- D399,763 S * 10/1998 Rabassa D10/38
- D509,755 S * 9/2005 Roden D10/32
- 2002/0027834 A1 * 3/2002 Thalheim 368/276

OTHER PUBLICATIONS

Wristwatches, A Handbook & Price Guide, Gisbert L. Brun-
ner & Christian Pfeiffer-Bell, Schiffer Publishings, Ltd,
1993, p. 116 ' #200—Lecoultrre Futuromatic—1945.*

Chronograph Wristwatches—To Stop Time, Gerd-R Lang
and Reinhard Meis, Schiffer Publishings, Ltd 1993, p. 125,
#156—Nicolet Watch—1950 and #157—Eberhard 1960.*

Chronograph Wristwatches—To Stop Time, Gerd-R and
Reinhard Meis, Schiffer Publishings, Ltd 1993, p. 95, #60—
Longines (Sold by FA. Turler, Zurich) 1950.*

* cited by examiner

Primary Examiner—Janice Seeger

Assistant Examiner—Zenia I Bennett

(74) *Attorney, Agent, or Firm*—Hoffman, Wasson & Gitler,
P.C.

(57) **CLAIM**

The ornamental design for a watch, as shown and described.

DESCRIPTION

FIG. 1 is a top plan view of a watch showing our new design.
The dial, hands and features on the face are of no appreciable
thickness or depth.

FIG. 2 is a bottom plan view of the watch of FIG. 1;

FIG. 3 is a front view of the watch of FIG. 1;

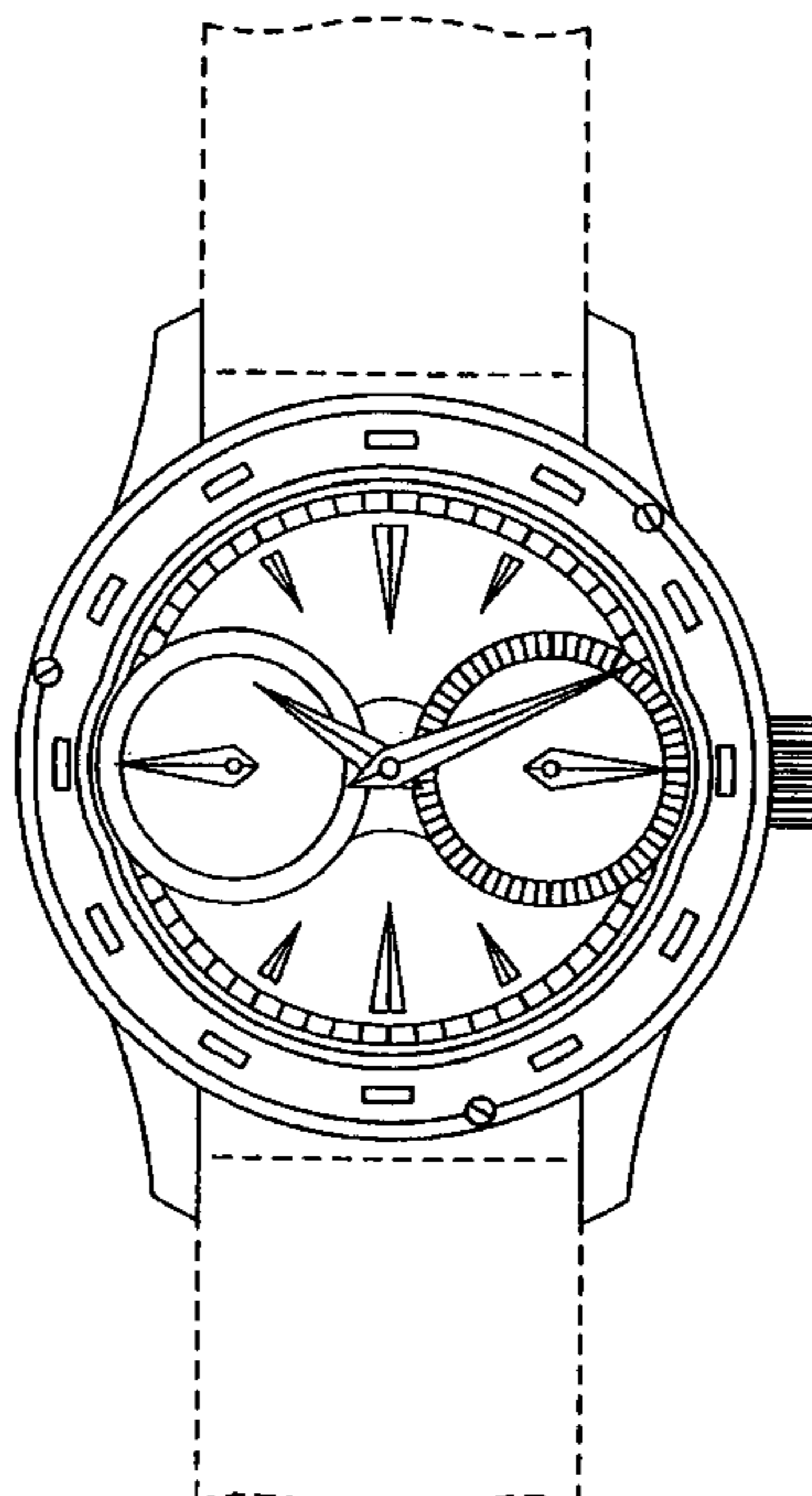
FIG. 4 is a rear view of the watch of FIG. 1;

FIG. 5 is a side view of one side of the watch of FIG. 1,
showing the watch stem; and,

FIG. 6 is a side view of the opposite side of the watch of
FIG. 1.

The broken lines in the drawings are shown for environ-
mental purposes only, and form no part of the claimed
design.

1 Claim, 3 Drawing Sheets



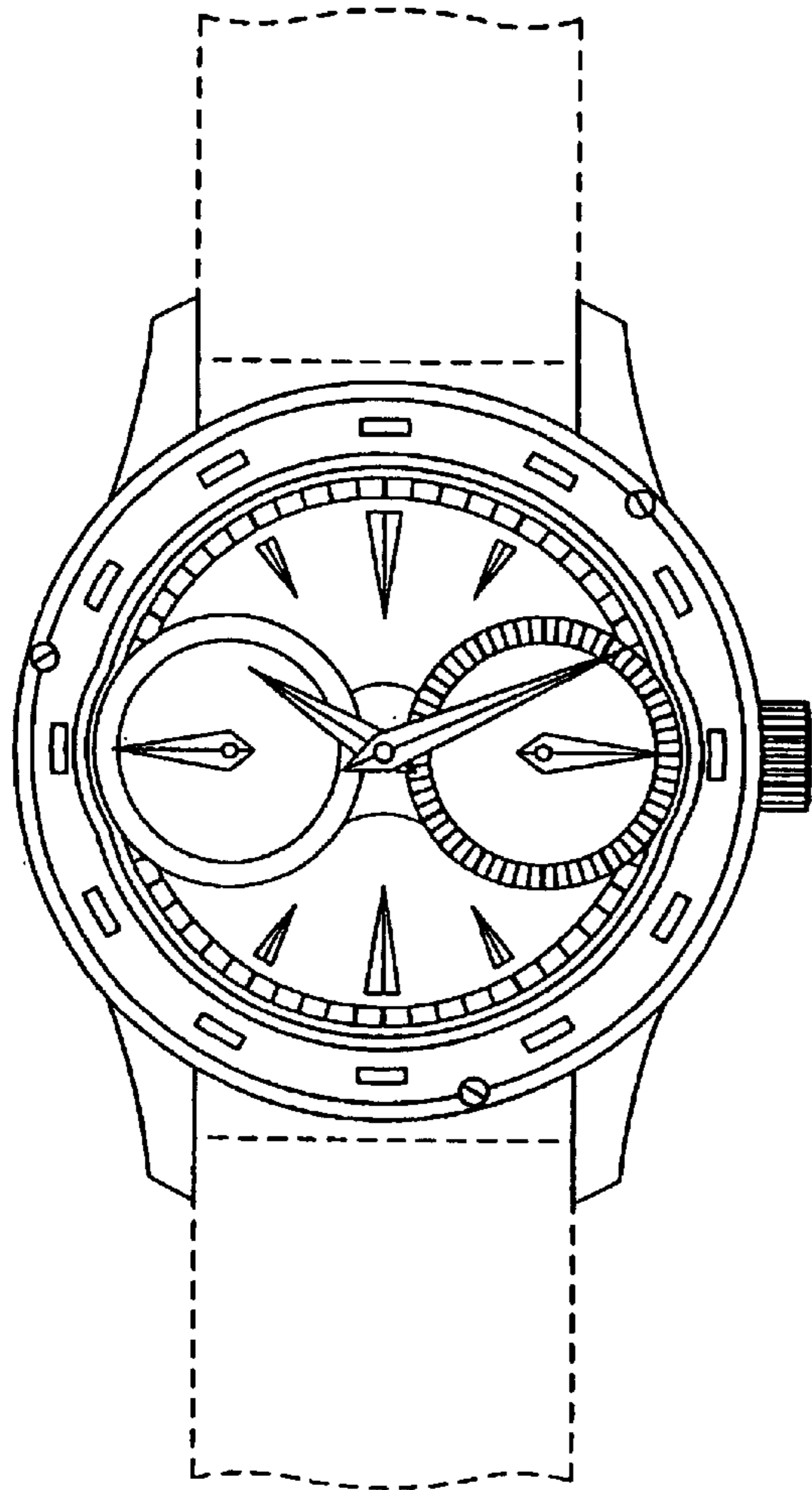


FIG. 1

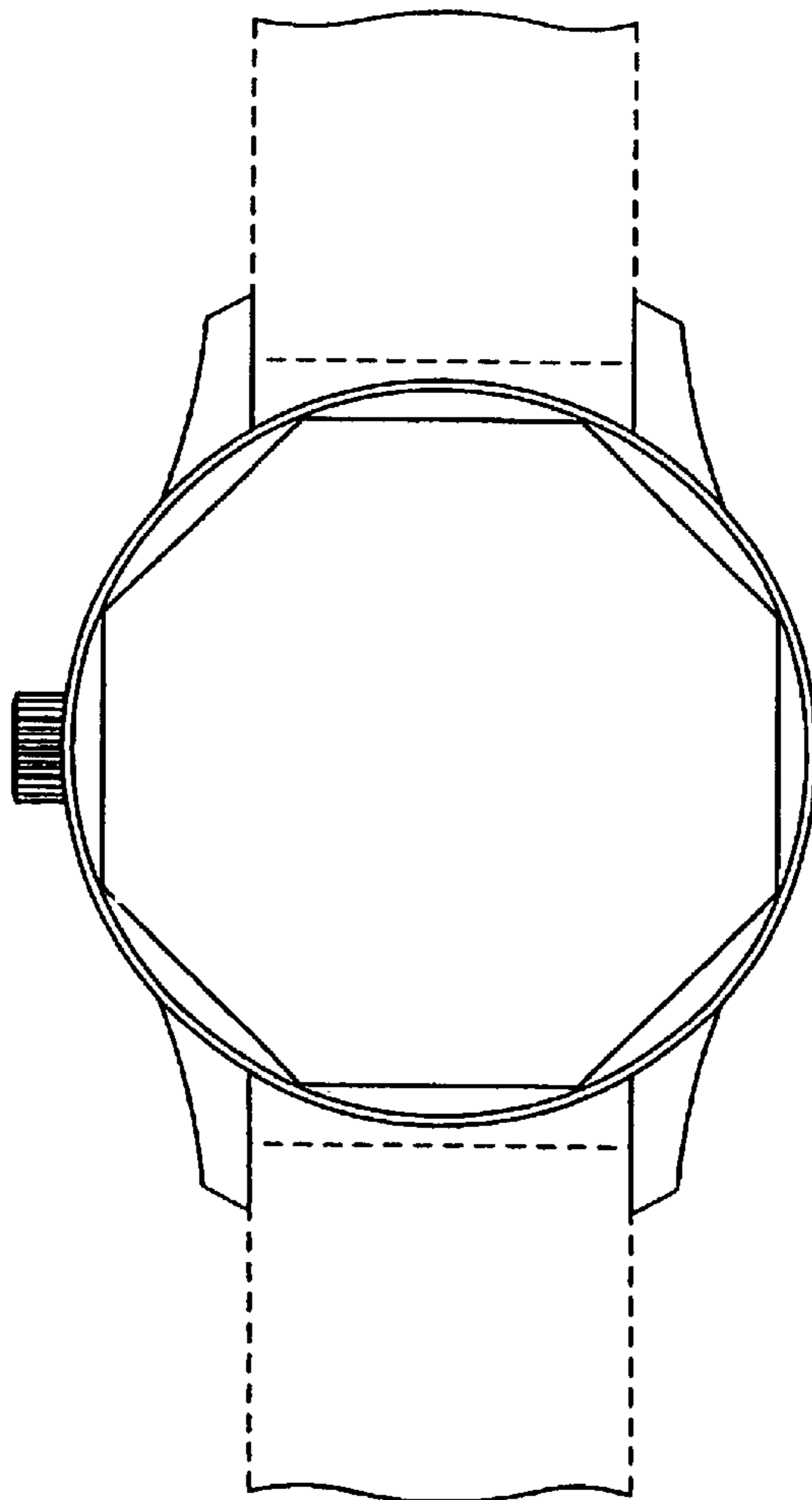


FIG. 2

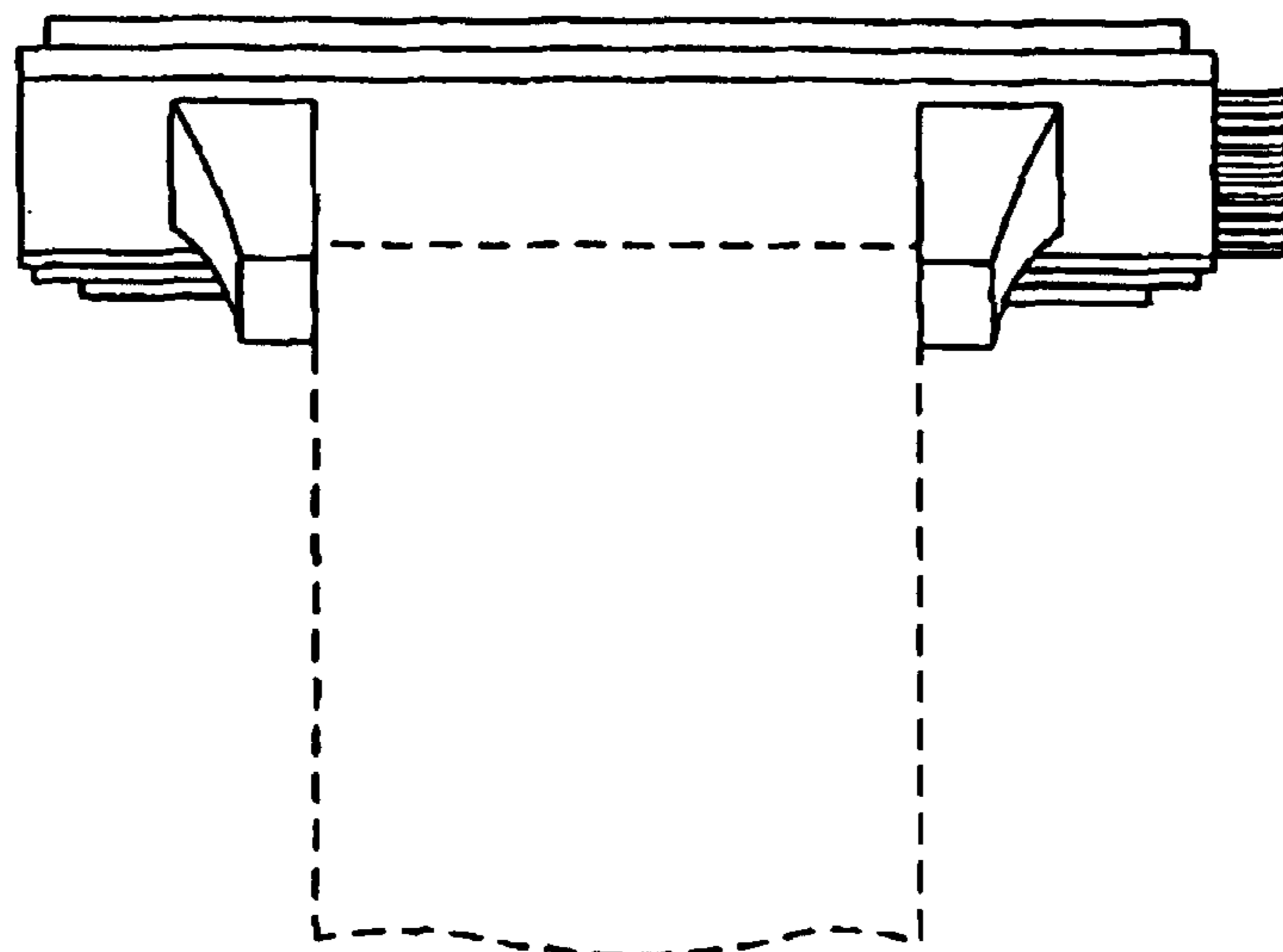


FIG. 3

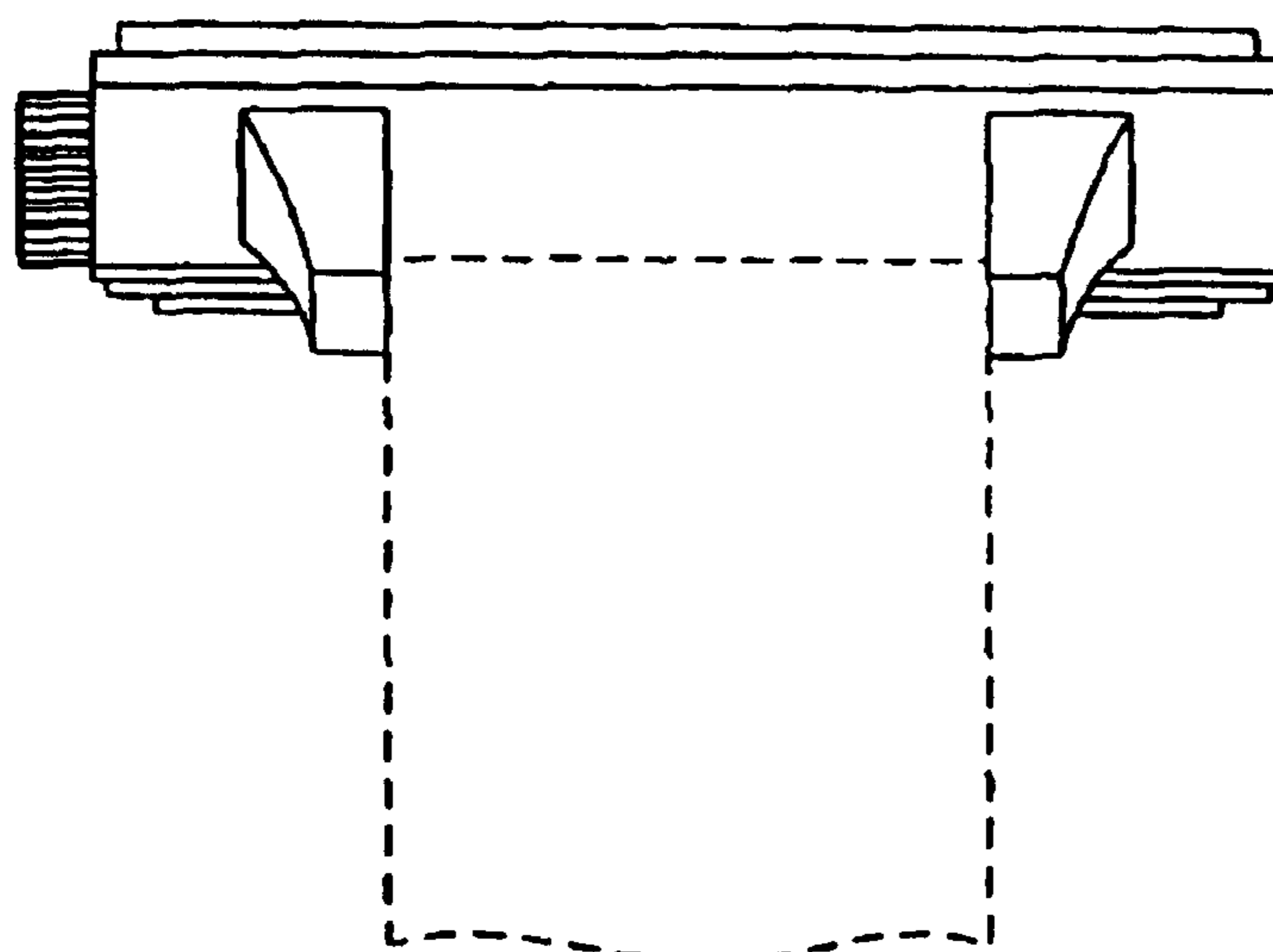


FIG. 4

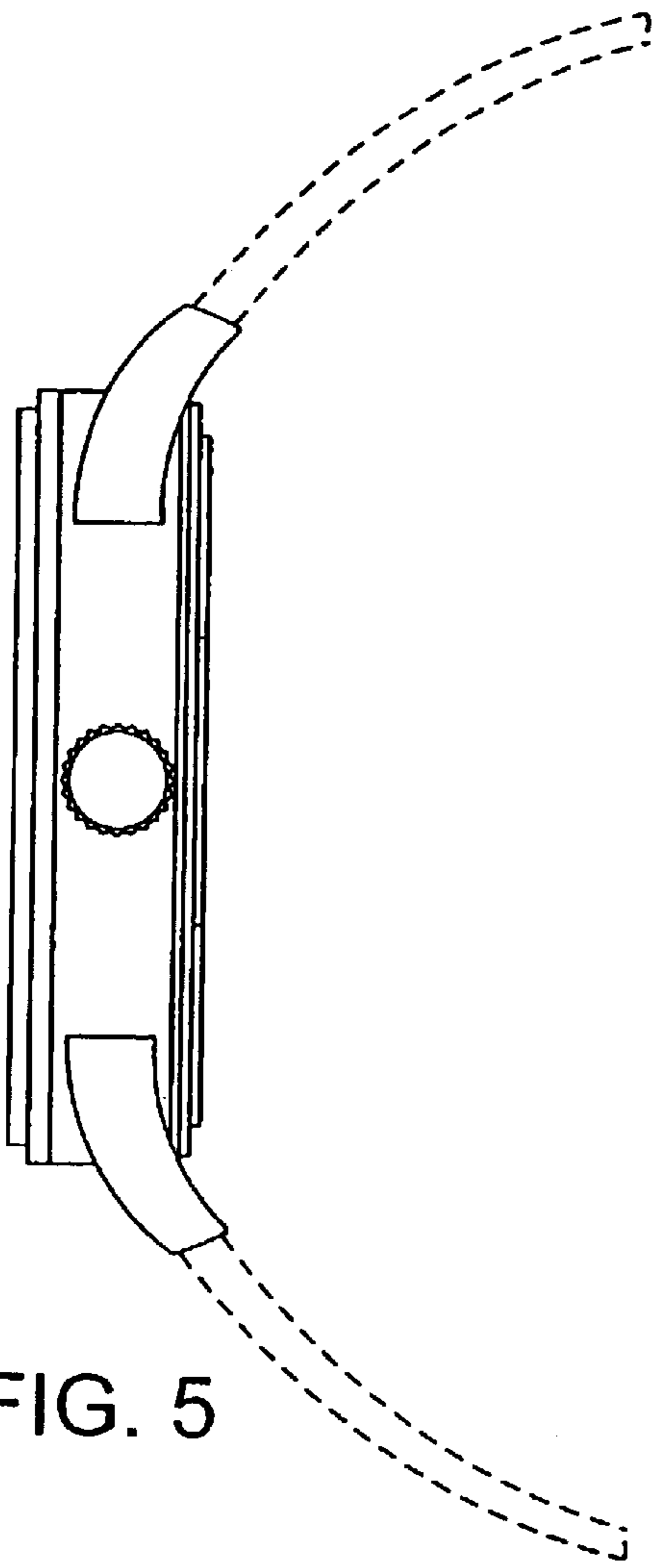


FIG. 5

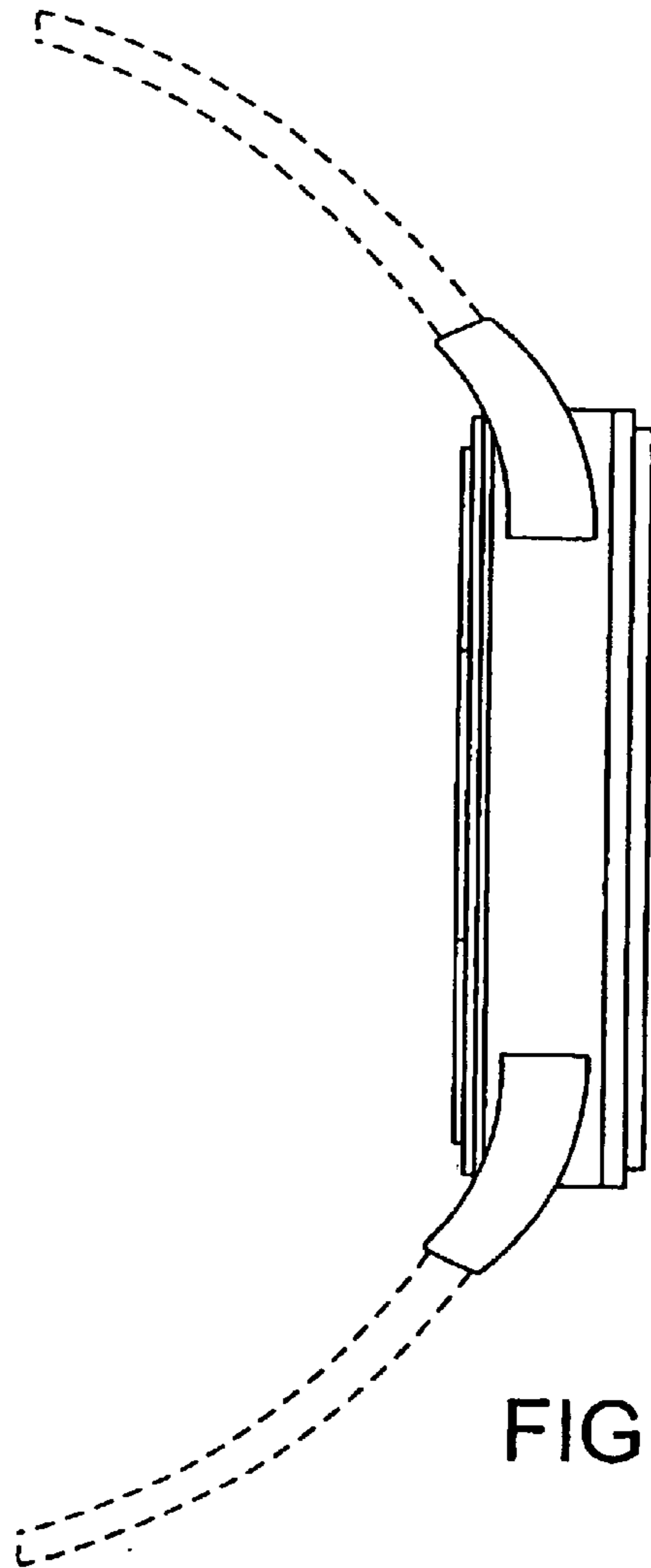


FIG. 6