



US00D539161S

(12) **United States Design Patent**
Cornet et al.

(10) **Patent No.:** **US D539,161 S**
(45) **Date of Patent:** **** Mar. 27, 2007**

(54) **FLASK**

(75) Inventors: **Gerard Cornet**, Blaru (FR); **Patrick Bousquel**, Paris (FR)

(73) Assignee: **Valois S.A.S.**, Le Neubourg (FR)

(**) Term: **14 Years**

(21) Appl. No.: **29/221,408**

(22) Filed: **Jan. 18, 2005**

(30) **Foreign Application Priority Data**

Jul. 19, 2004 (EM) 000203187-0002

(51) **LOC (8) Cl.** **09-01**

(52) **U.S. Cl.** **D9/558**

(58) **Field of Classification Search** D9/500,
D9/502-505, 516, 529-530, 537, 539-540,
D9/549, 551, 558, 686-692, 694; 220/660,
220/666, 669; 215/379, 382, 384

See application file for complete search history.

(56) **References Cited**

U.S. PATENT DOCUMENTS

D365,759 S * 1/1996 Otani et al. D9/504
D415,934 S * 11/1999 Wallays D7/590
D463,734 S * 10/2002 Gobe D9/691

D473,460 S * 4/2003 Whitworth D9/716
D516,916 S * 3/2006 Cornet et al. D9/504
D522,367 S * 6/2006 Bakic D9/504
D526,570 S * 8/2006 Bakic D9/574

FOREIGN PATENT DOCUMENTS

WO DM/050257 * 11/1999

* cited by examiner

Primary Examiner—Ian Simmons

Assistant Examiner—Dana Sipos

(74) *Attorney, Agent, or Firm*—Sughrue Mion, PLLC

(57) **CLAIM**

The ornamental design for a flask, as shown and described.

DESCRIPTION

FIG. 1 is a perspective view of the top, front and right side of a flask showing our new design;

FIG. 2 is a perspective view of the bottom, rear and left side thereof;

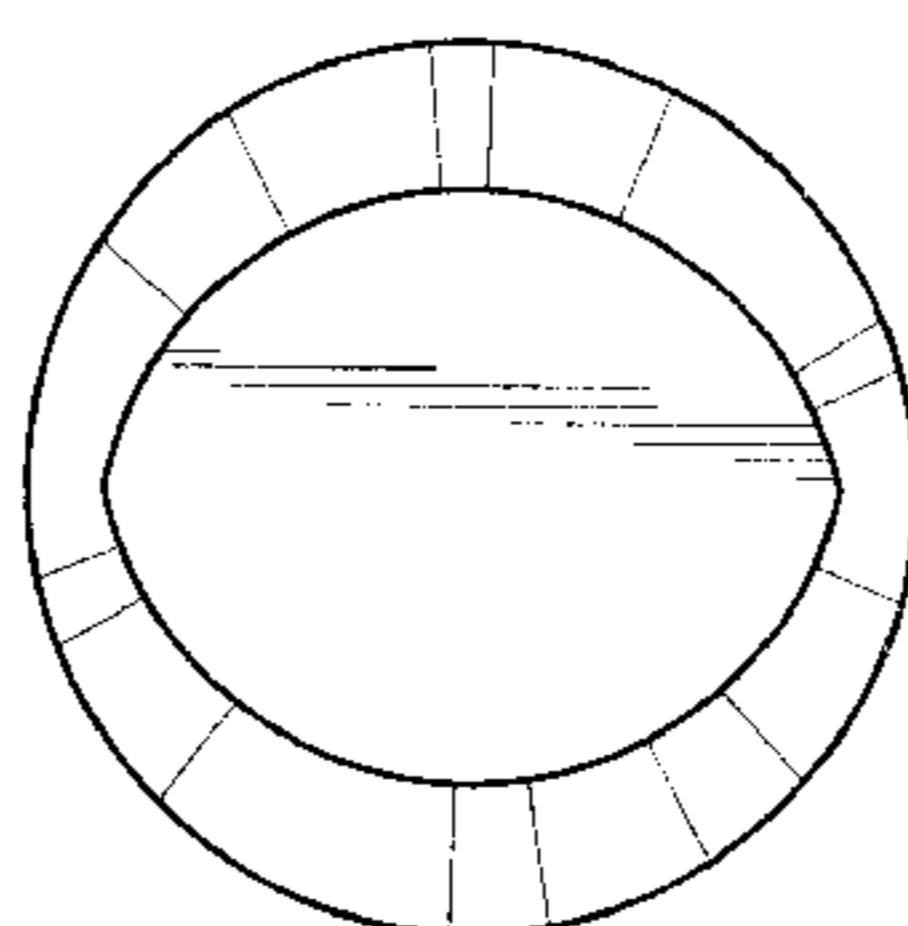
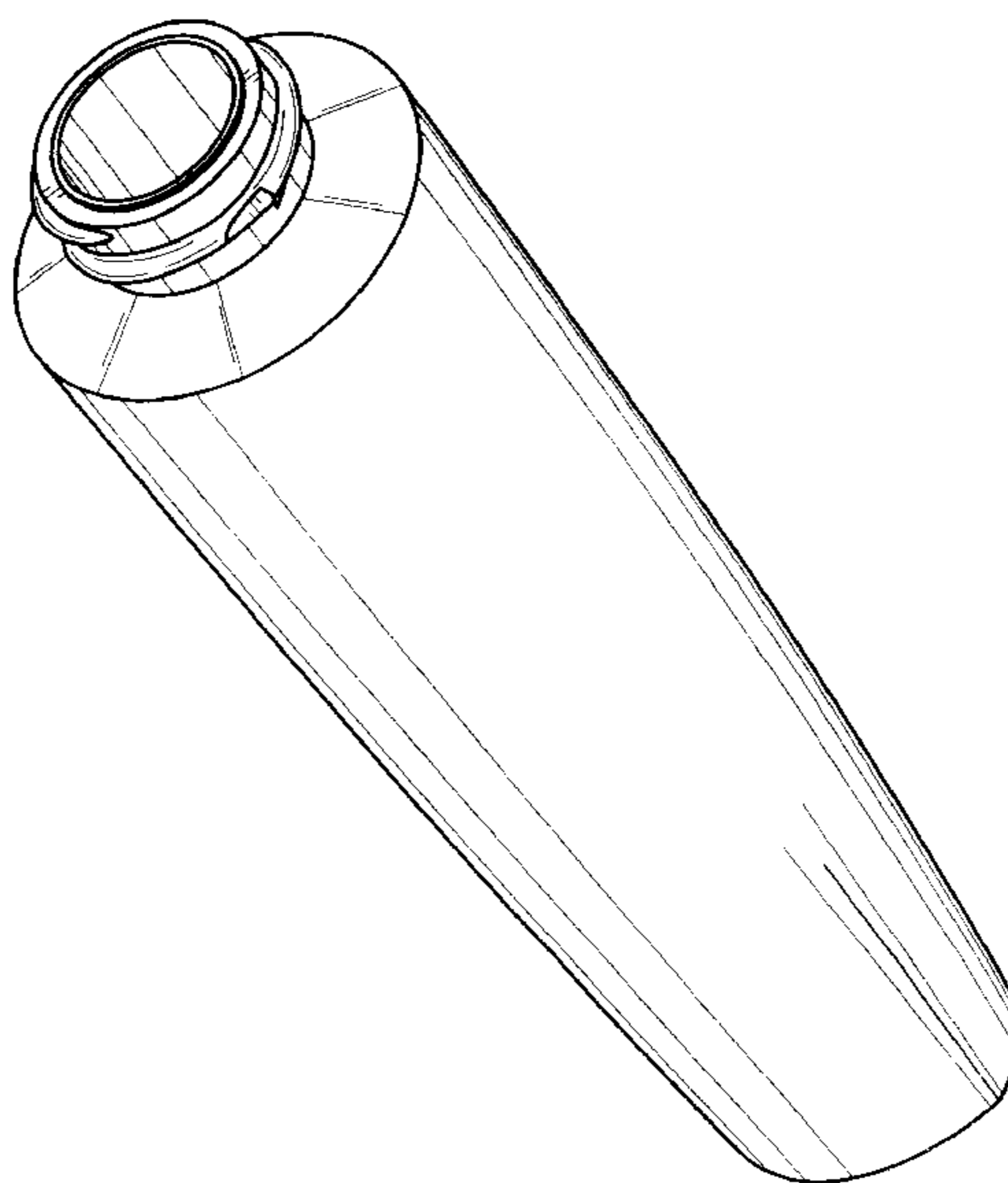
FIG. 3 is a right side elevational view thereof, the left side being a mirror image thereof; and,

FIG. 4 is a front elevational view thereof, the rear elevational view being a mirror image thereof.

FIG. 5 is a top plan view thereof; and,

FIG. 6 is a bottom plan view thereof.

1 Claim, 5 Drawing Sheets



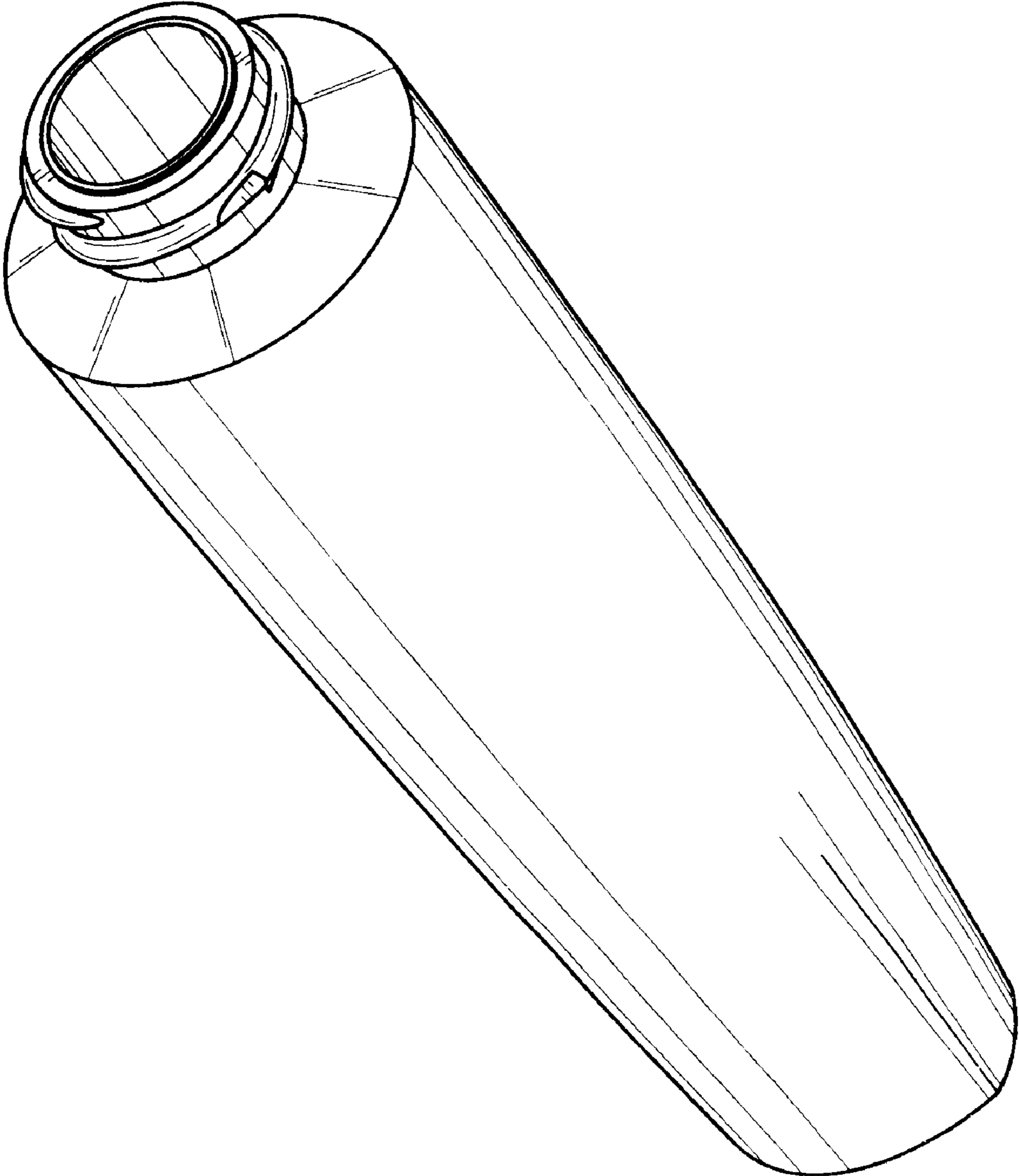


Fig. 1

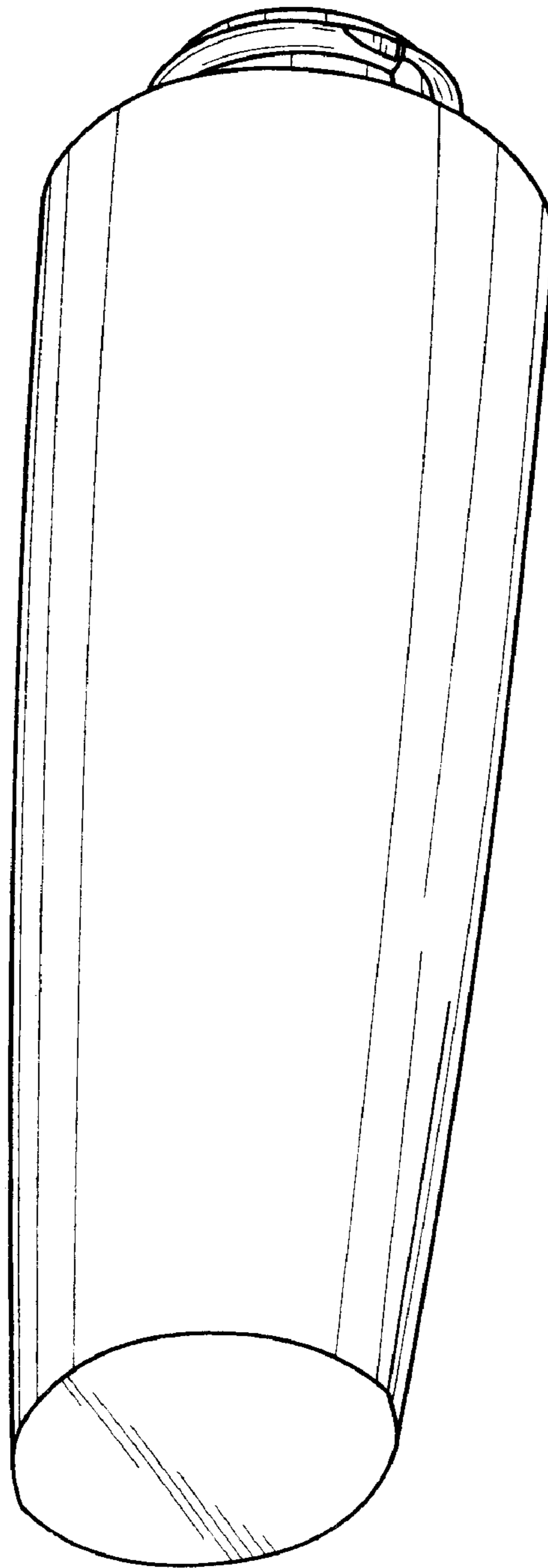


Fig. 2

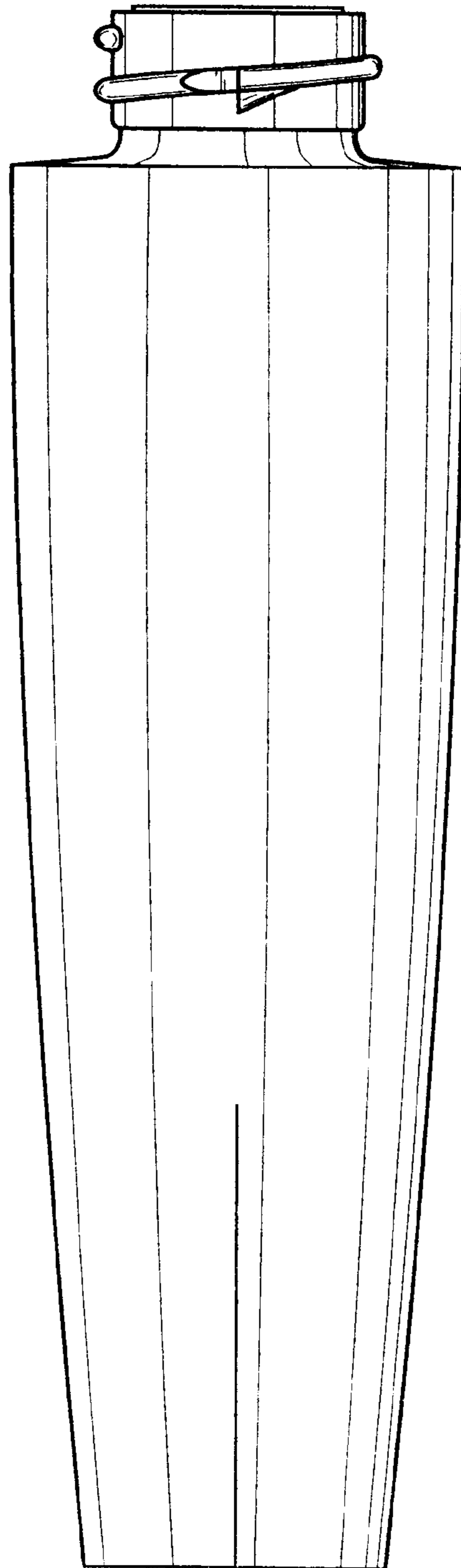


Fig. 3

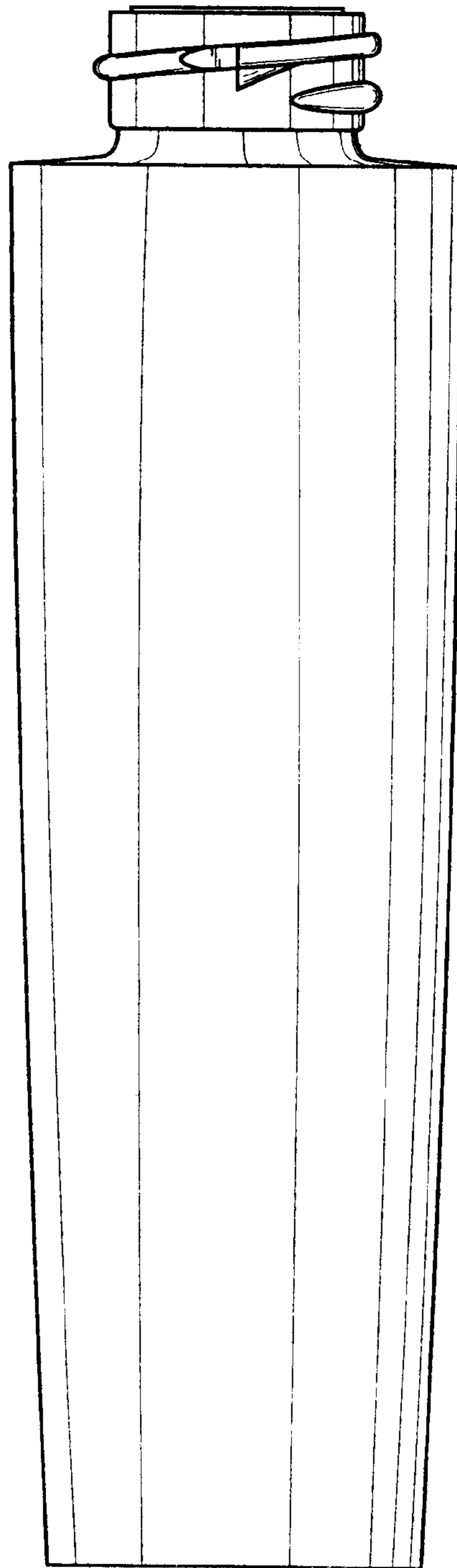


Fig. 4

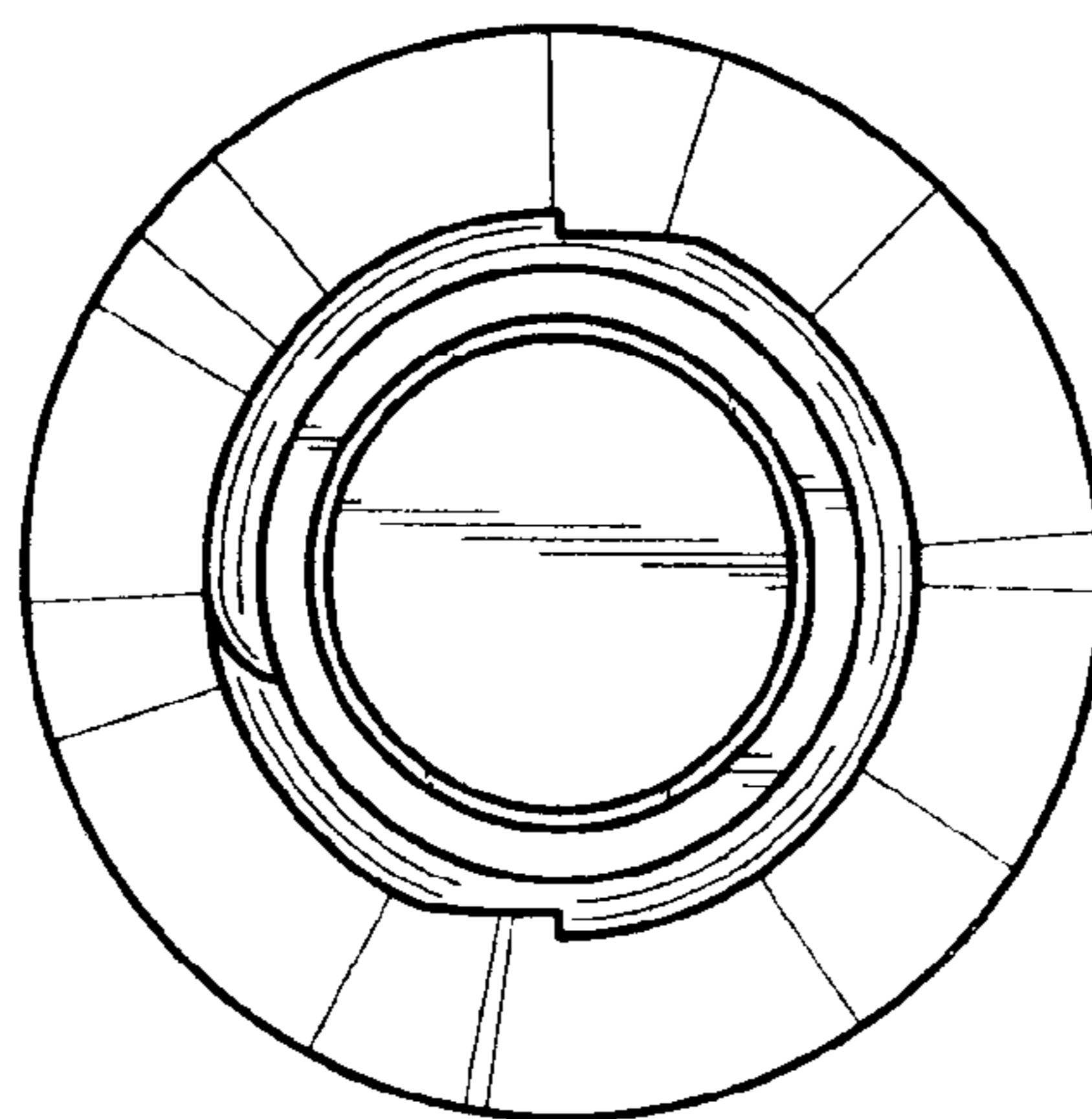


Fig. 5

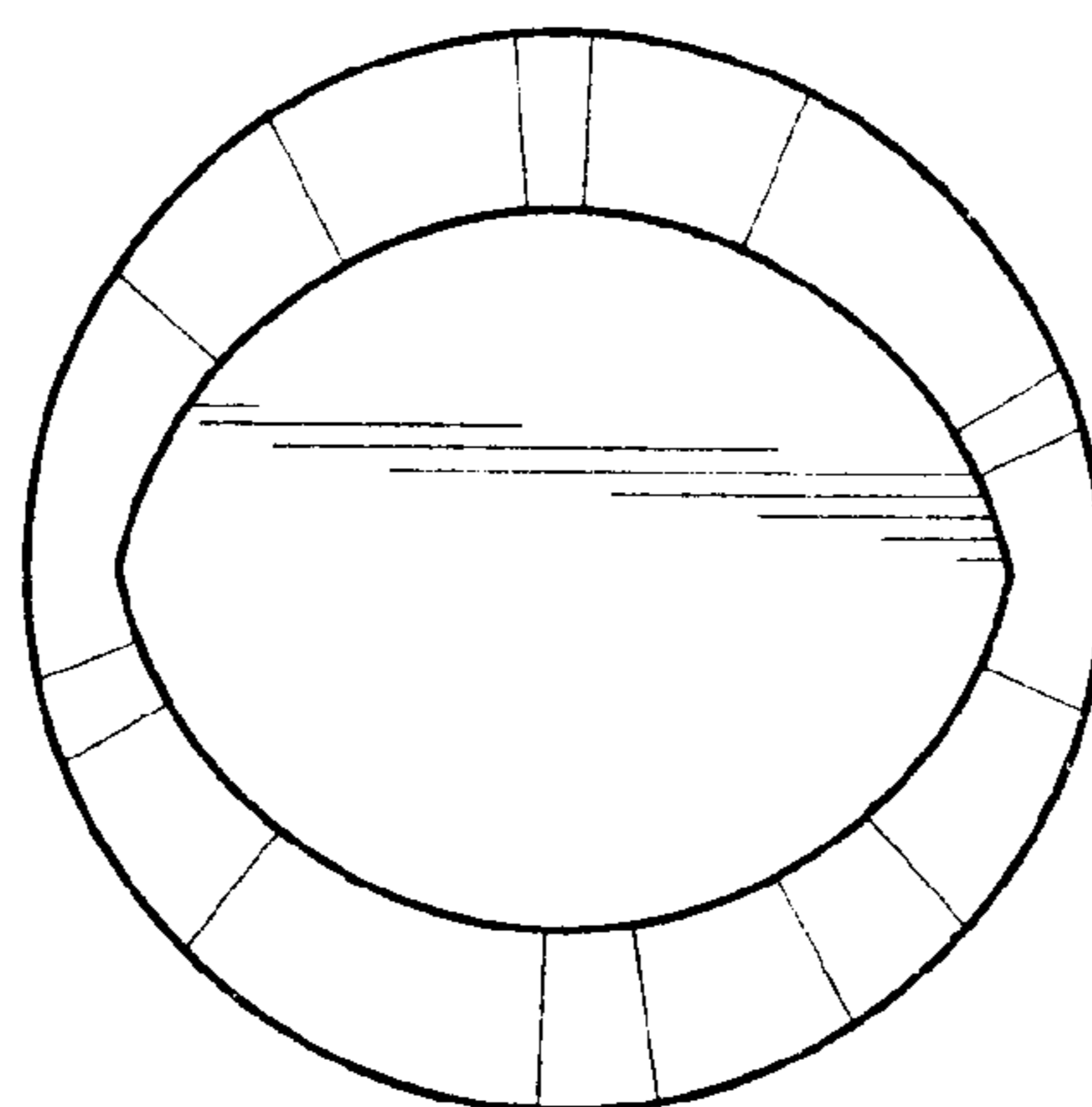


Fig. 6