



US00D539159S

(12) **United States Design Patent**
Slat et al.

(10) **Patent No.:** **US D539,159 S**
(45) **Date of Patent:** **** Mar. 27, 2007**

(54) **PLASTIC CONTAINER**

(75) Inventors: **William A. Slat**, Brooklyn, MI (US); **J. Steven Little**, Wadsworth, OH (US)

(73) Assignee: **Plastipak Packaging, Inc.**, Plymouth, MI (US)

(**) Term: **14 Years**

(21) Appl. No.: **29/233,223**

(22) Filed: **Jun. 29, 2005**

(51) **LOC (8) Cl.** **09-01**

(52) **U.S. Cl.** **D9/541**

(58) **Field of Classification Search** D9/516,
D9/530, 560, 537-546, 549, 569-571, 574,
D9/575; 215/382-384

See application file for complete search history.

(56) **References Cited**

U.S. PATENT DOCUMENTS

- D233,828 S * 12/1974 Leary D9/541
- D294,679 S * 3/1988 Griesing et al. D9/520
- D387,671 S * 12/1997 Panella D9/538
- D423,935 S * 5/2000 Frazer D9/520

- D458,146 S * 6/2002 Sadeghi et al. D9/560
- D467,809 S * 12/2002 Pouillot et al. D9/523
- D488,060 S * 4/2004 Yourist D9/658
- D525,141 S * 7/2006 Beard et al. D9/646
- D526,199 S * 8/2006 Darr et al. D9/520
- D527,648 S * 9/2006 Darr et al. D9/566

* cited by examiner

Primary Examiner—Stella Reid

Assistant Examiner—Keli L. Acker

(74) *Attorney, Agent, or Firm*—Robert H. Bachman

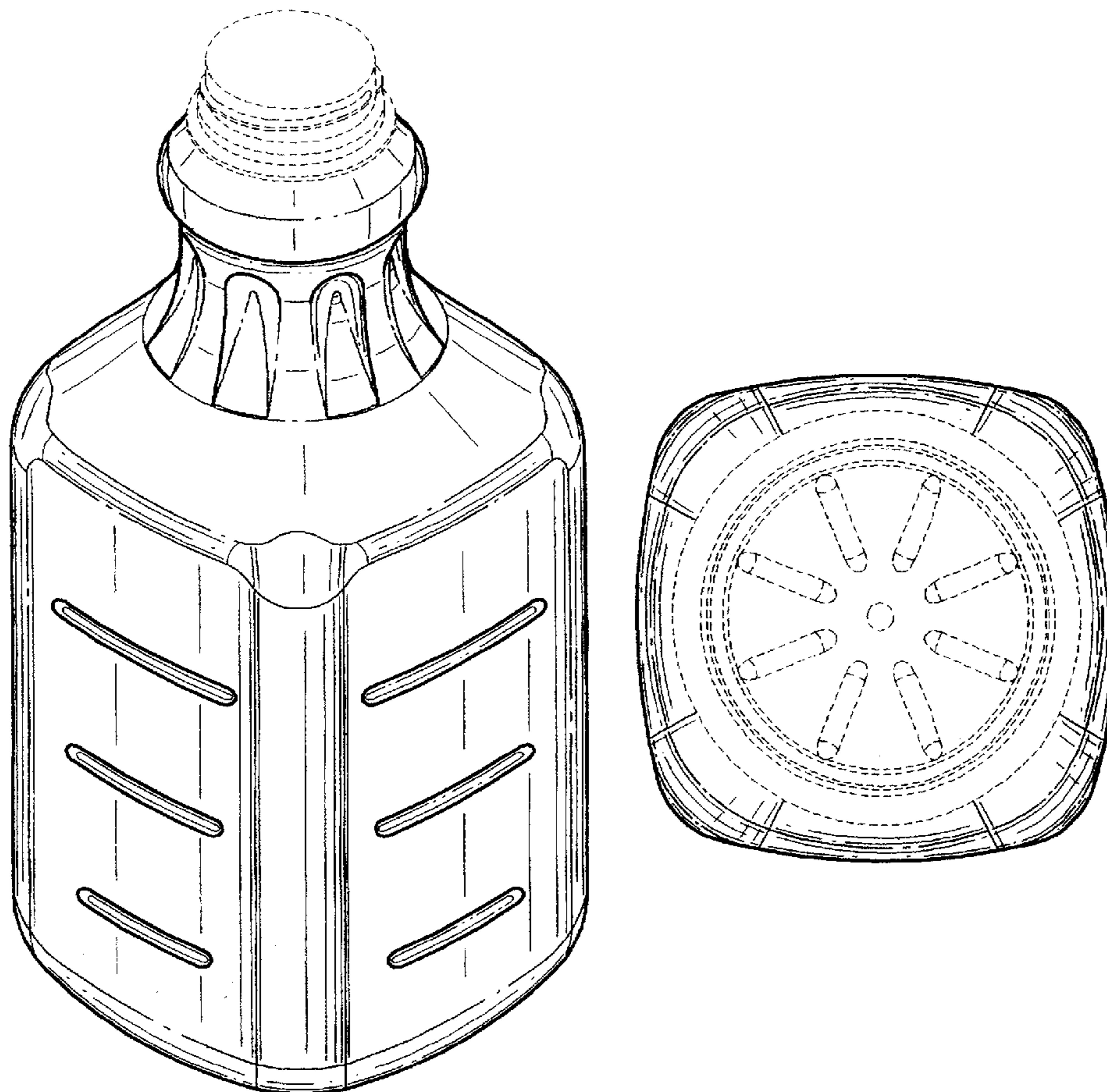
(57) **CLAIM**

The ornamental design for a plastic container, as shown and described.

DESCRIPTION

FIG. 1 is a perspective view of the container of the present invention showing the top, front and right side thereof; FIG. 2 is a left side elevation view thereof; FIG. 3 is a top plan view thereof; and, FIG. 4 is a bottom plan view thereof. The broken line showing of the Bottle is included for the purpose of illustrating portions of the Bottle and forms no part of the claimed design.

1 Claim, 1 Drawing Sheet



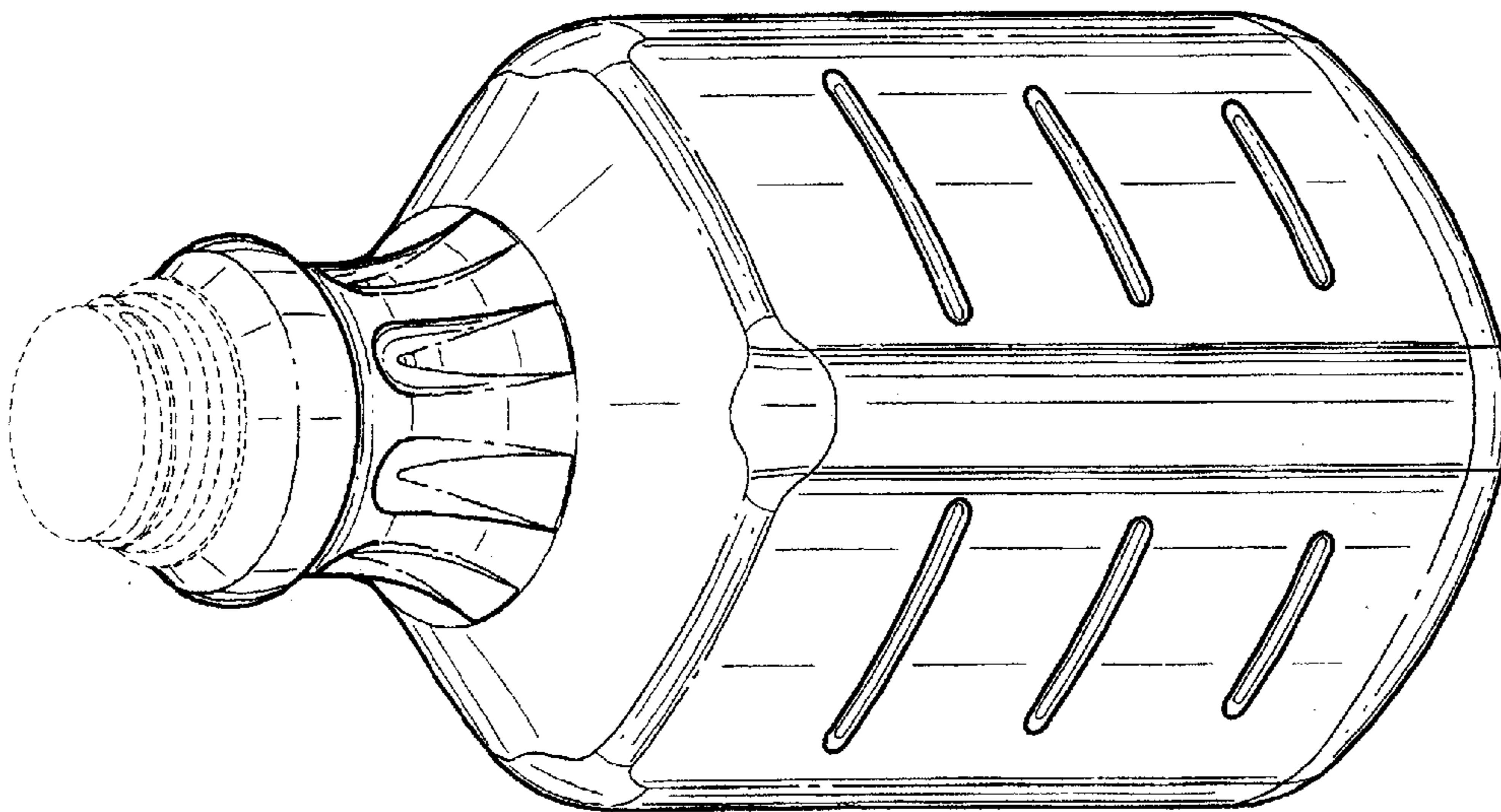


FIG. 1

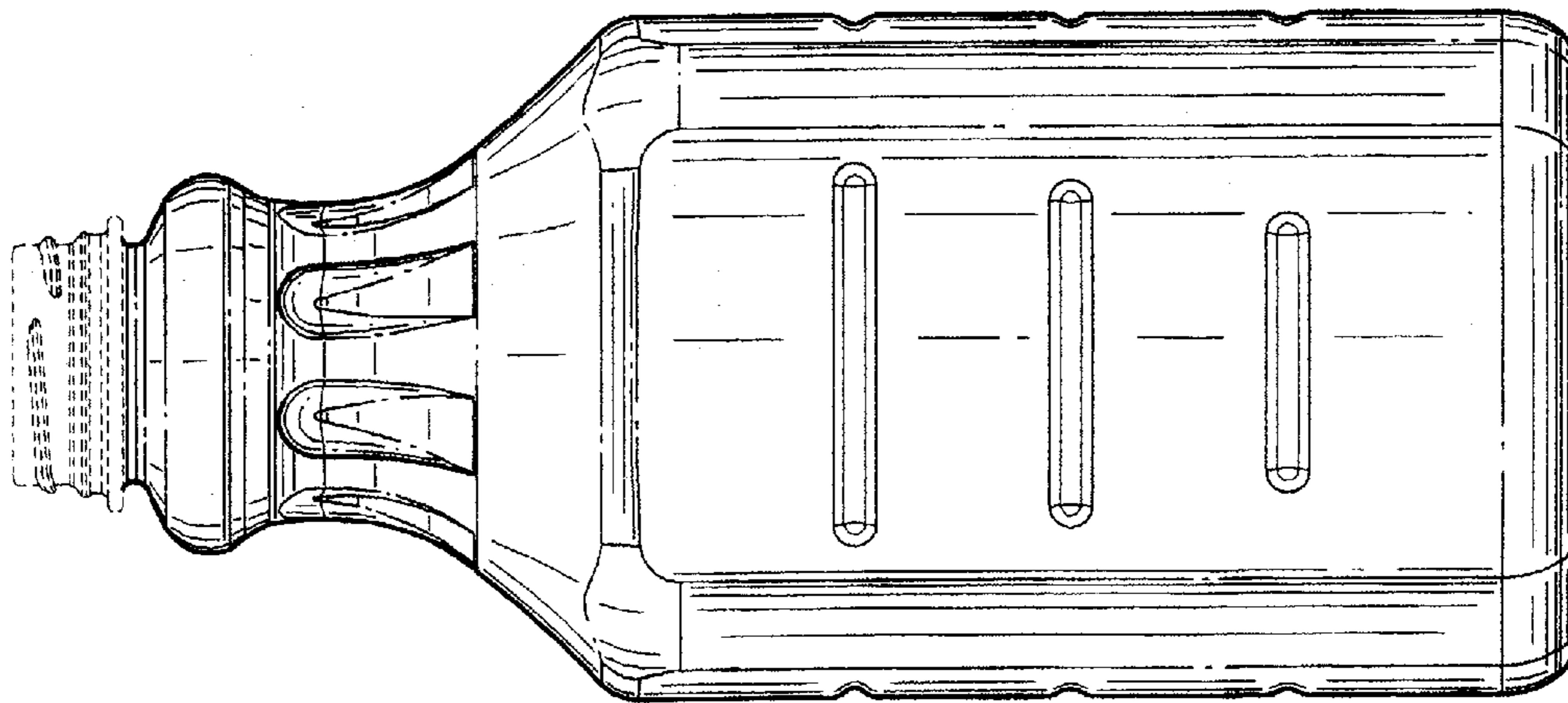


FIG. 2

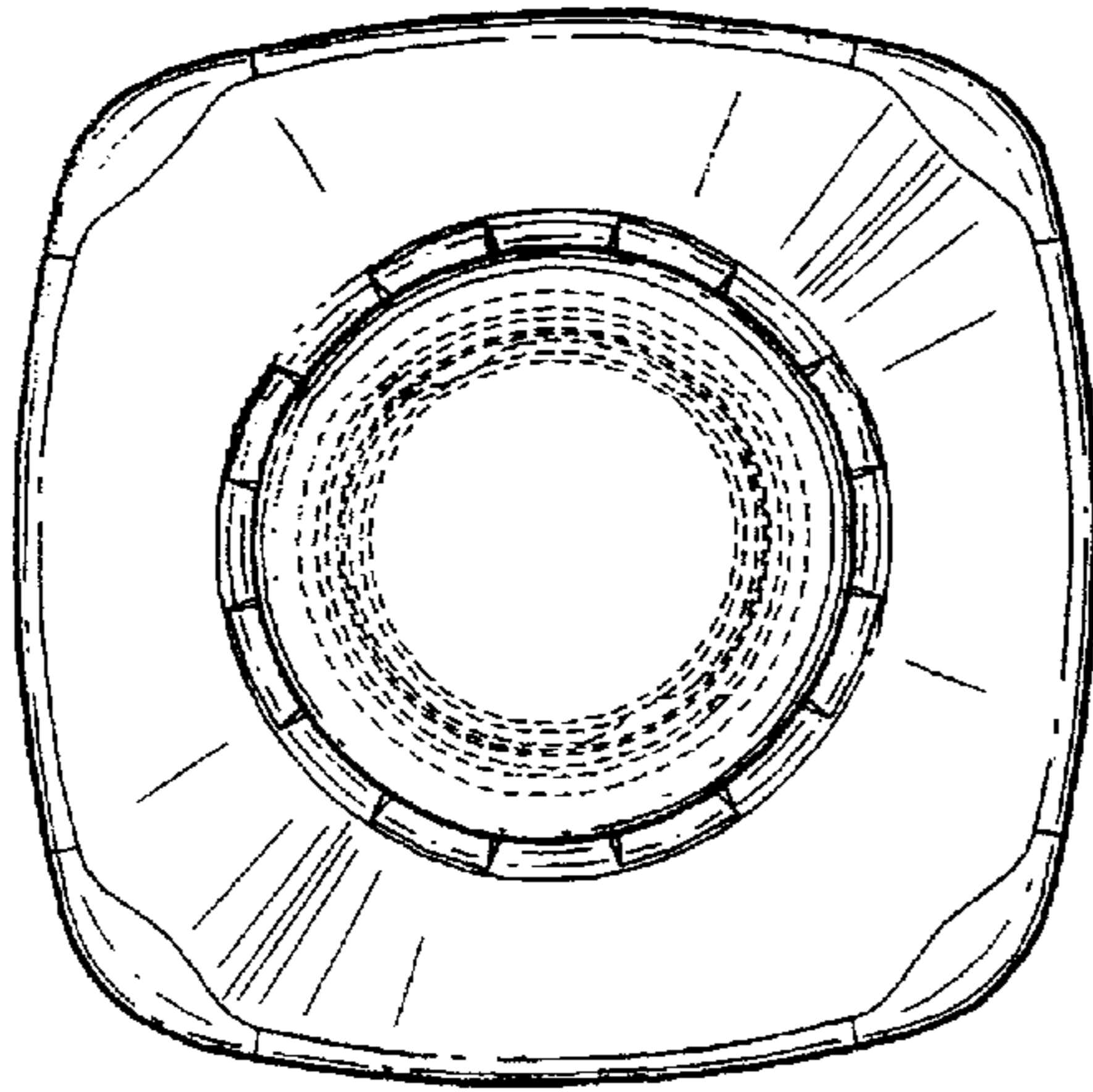


FIG. 3

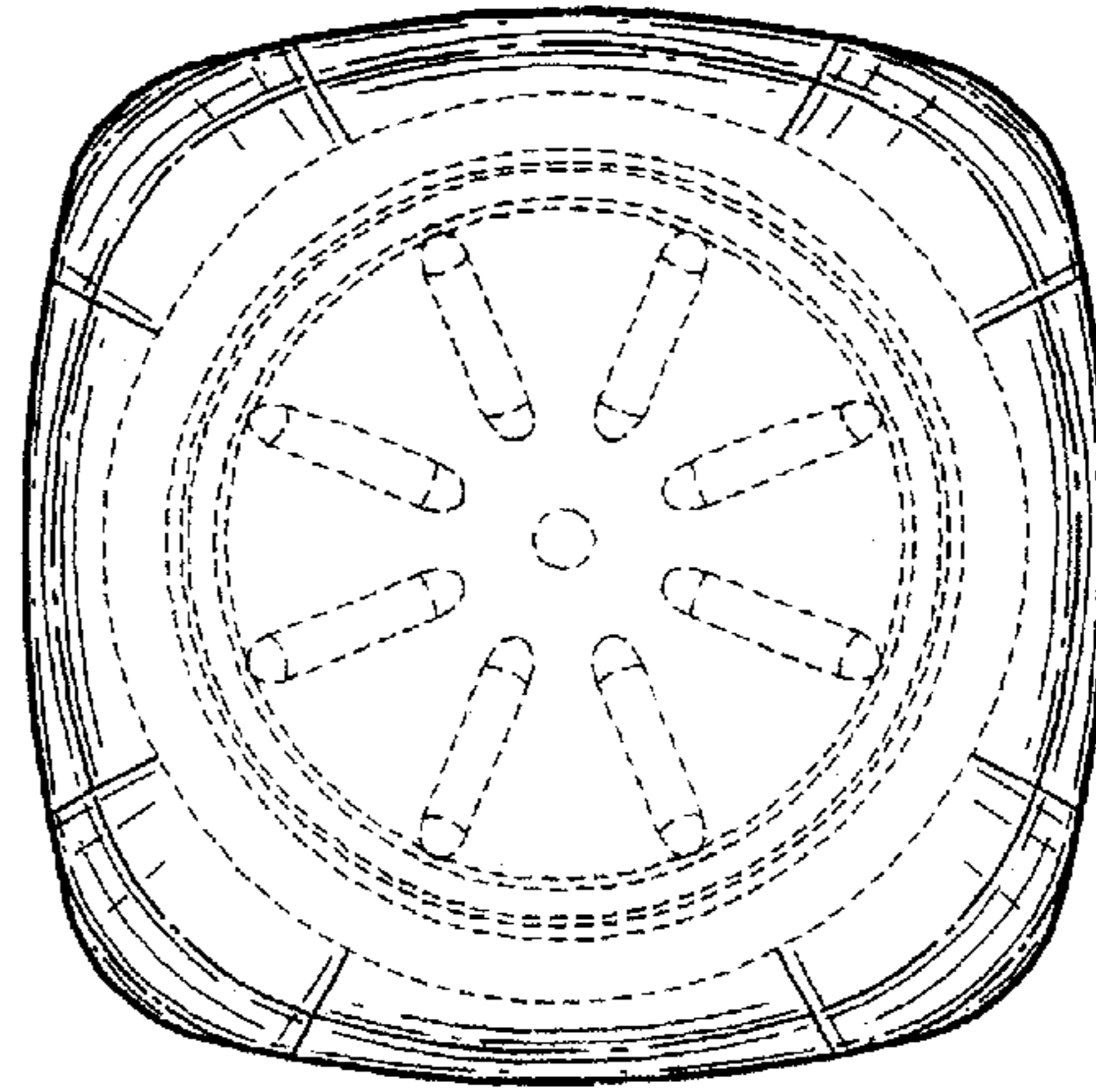


FIG. 4